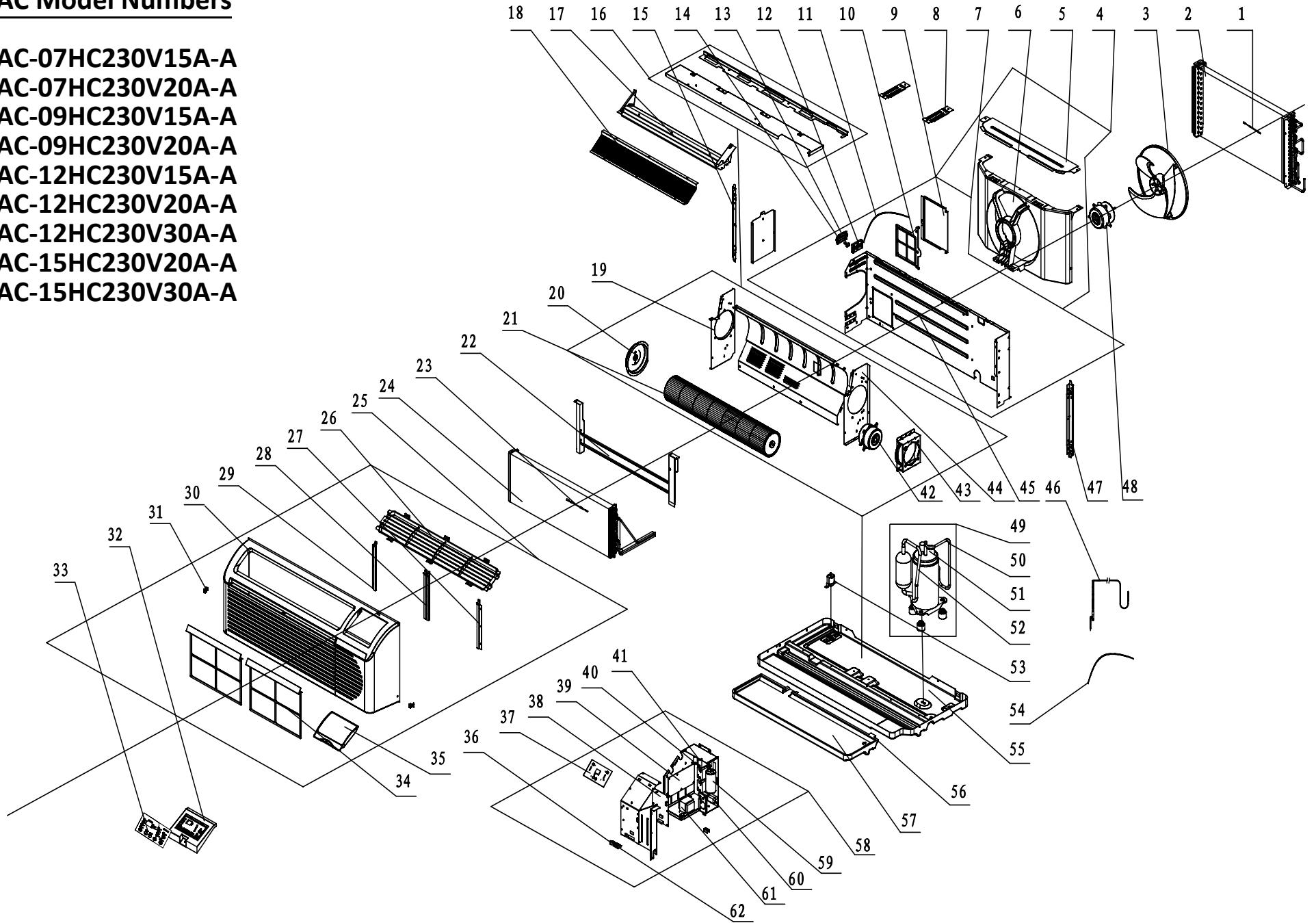


Exploded View Unit

ETAC Model Numbers

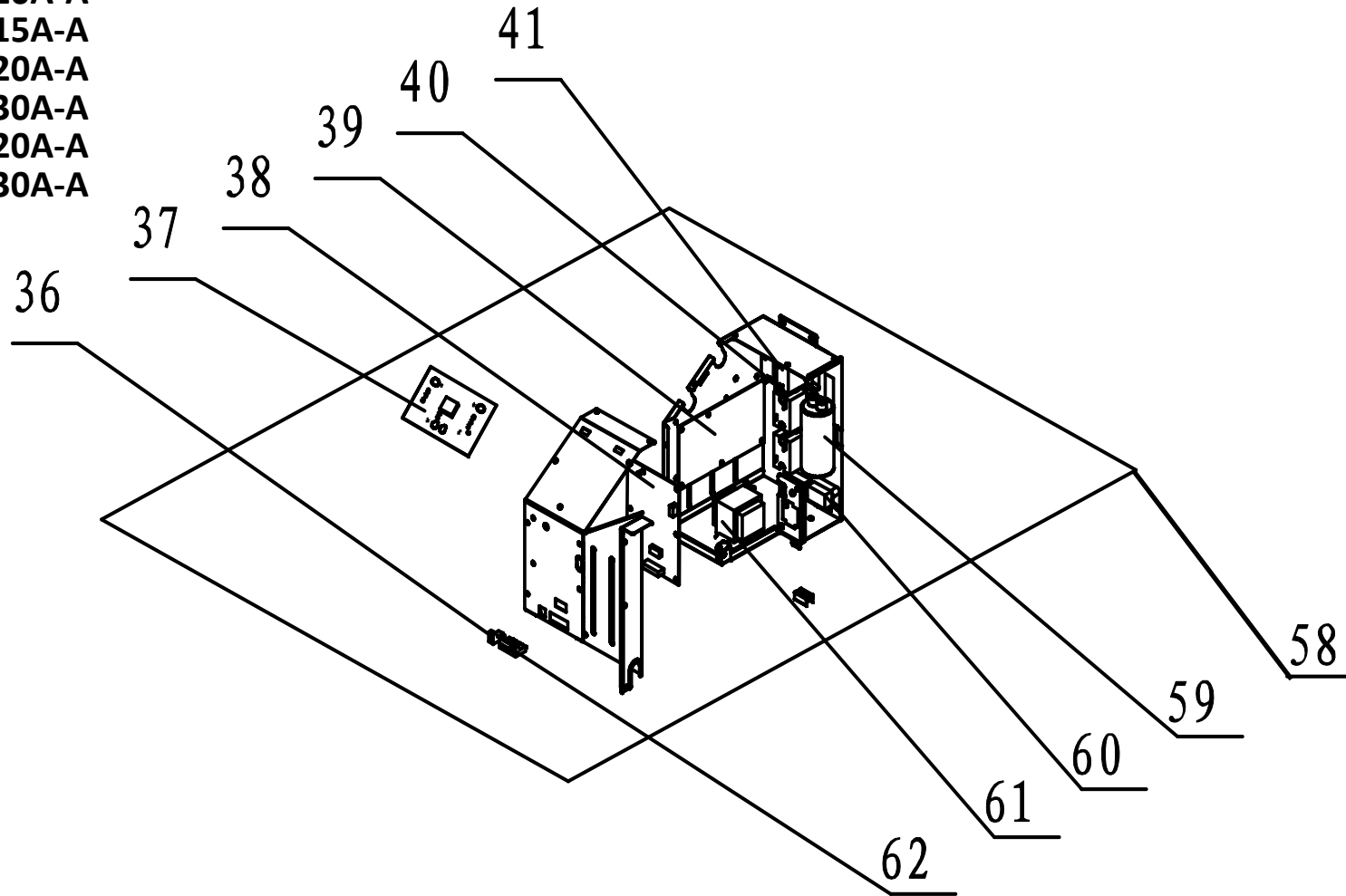
- ETAC-07HC230V15A-A
- ETAC-07HC230V20A-A
- ETAC-09HC230V15A-A
- ETAC-09HC230V20A-A
- ETAC-12HC230V15A-A
- ETAC-12HC230V20A-A
- ETAC-12HC230V30A-A
- ETAC-15HC230V20A-A
- ETAC-15HC230V30A-A



Exploded Control Box View

ETAC Model Numbers

ETAC-07HC230V15A-A
ETAC-07HC230V20A-A
ETAC-09HC230V15A-A
ETAC-09HC230V20A-A
ETAC-12HC230V15A-A
ETAC-12HC230V20A-A
ETAC-12HC230V30A-A
ETAC-15HC230V20A-A
ETAC-15HC230V30A-A



E-TAC Series, Heat Cool Model (A-Series Model)			230/208 Voltage Model								
VIEW NUMBER	PART NUMBER	PART DESCRIPTION	7,000 BTU		9,000 BTU		12,000 BTU		15,000 BTU		
			ETAC-07HC230V15A	ETAC-07HC230V20A	ETAC-09HC230V15A	ETAC-09HC230V20A	ETAC-12HC230V15A	ETAC-12HC230V20A	ETAC-12HC230V30A	ETAC-15HC230V20A	ETAC-15HC230V30A
1	390002073	OUTDOOR COIL TEMPERATURE SENSOR (BLACK CABLE, RED CONNECTOR)	1	1	1	1	1	1	1	1	1
2	01101105	CONDENSER COIL ASSEMBLY, CORROSION PROTECTED (OUTDOOR)	1	1							
2	01101099	CONDENSER COIL ASSEMBLY, CORROSION PROTECTED (OUTDOOR)			1	1	1	1	1		
2	0110119102	CONDENSER COIL ASSEMBLY, CORROSION PROTECTED (OUTDOOR)								1	1
3	10331004	CONDENSER FAN BLADE (OUTDOOR)	1	1	1	1	1	1	1	1	1
4	1037100903	CONDENSER FAN SHROUD ASSEMBLY, INCLUDES 5 & 6	1	1	1	1	1	1	1	1	1
5	01251028P	CONDENSER FAN SHROUD COVER (LID)	1	1	1	1	1	1	1	1	1
6	10371213	CONDENSER FAN SHROUD FAN BRACKET	1	1	1	1	1	1	1	1	1
7	01231154	MAIN PARTITION WALL ASSEMBLY, INCLUDES 9, 10, 11, 12, 13, 14 & 45	1	1	1	1	1	1	1	1	1
8	01381004	CONDENSER SHROUD SUPPORT BRACKET	2	2	2	2	2	2	2	2	2
9	01441015	FRESH AIR VENT DOOR	1	1	1	1	1	1	1	1	1
10	11121213	FILTER (FRESH AIR VENT)	1	1	1	1	1	1	1	1	1
11	02121014	CABLE WIRE (FRESH AIR VENT DOOR)	1	1	1	1	1	1	1	1	1
12	26231155	LOWER VENT LEVER COVER	1	1	1	1	1	1	1	1	1
13	26231153	VENT HAND LEVER	1	1	1	1	1	1	1	1	1
14	26231154	UPPER VENT LEVER COVER	1	1	1	1	1	1	1	1	1
15	01701038	WALL SLEEVE MOUNTING BRACKET (LEFT)	1	1	1	1	1	1	1	1	1
16	01251013	TOP COVER PLATE ASSEMBLY (2 PIECES)	1	1	1	1	1	1	1	1	1
17	02121028P	AIR DISCHARGE DIFFUSER BASE	1	1	1	1	1	1	1	1	1
18	01471017	AIR DISCHARGE DIFFUSER GRILL SCREEN	1	1	1	1	1	1	1	1	1
19	02121024P	SIDE PANEL (LEFT)	1	1	1	1	1	1	1	1	1
20	26151139	BLOWER WHEEL END-CAP RUBBER BEARING (LEFT)	1	1	1	1	1	1	1	1	1
21	10351002	INDOOR BLOWER WHEEL (CROSS FLOW FAN)	1	1	1	1	1	1	1	1	1
22	3200000204	ELECTRIC HEATER ASSY, 2KW, 15 AMP WITH BI-METAL SWITCH (BLUE & YELLOW)	1		1		1				
22	3200000201	ELECTRIC HEATER ASSY, 3KW, 20 AMP WITH BI-METAL SWITCH (BLUE & YELLOW)		1		1		1		1	
22	32000002	ELECTRIC HEATER ASSY, 5KW, 30 AMP WITH BI-METAL SWITCH (BLUE & YELLOW)							1		1
23	3900012123	AMBIENT RETURN TEMPERATURE SENSOR (WHITE CABLE, RED & BLACK CONNECTOR)	1	1	1	1	1	1	1	1	1
24	0100106601	EVAPORATOR COIL ASSEMBLY	1	1							

E-TAC Series, Heat Cool Model (A-Series Model)			230/208 Voltage Model							
VIEW NUMBER	PART NUMBER	PART DESCRIPTION	7,000 BTU		9,000 BTU		12,000 BTU		15,000 BTU	
			ETAC-07HC230V15A	ETAC-07HC230V20A	ETAC-09HC230V15A	ETAC-09HC230V20A	ETAC-12HC230V15A	ETAC-12HC230V20A	ETAC-12HC230V30A	ETAC-15HC230V20A
24	0100106001	EVAPORATOR COIL ASSEMBLY			1	1				
24	0100128501	EVAPORATOR COIL ASSEMBLY					1	1	1	1
25	2000147503	FRONT PANEL ASSEMBLY, INCLUDES 26, 27, 28, 29, 30, 31, 34 & 35	1	1	1	1	1	1	1	1
26	22411023	AIR DISCHARGE GRILL	1	1	1	1	1	1	1	1
27	26111139	INDOOR AIR FILTER SUPPORT (RIGHT)	1	1	1	1	1	1	1	1
28	26111140	INDOOR AIR FILTER SUPPORT (CENTER)	1	1	1	1	1	1	1	1
29	26111141	INDOOR AIR FILTER SUPPORT (LEFT)	1	1	1	1	1	1	1	1
30	20001673	FRONT PANEL ONLY	1	1	1	1	1	1	1	1
31	02111013	FRONT PANEL MOUNTING CLIP (LEFT & RIGHT)	2	2	2	2	2	2	2	2
32	20121097	DISPLAY BOARD ESCUTCHEON COVER	1	1	1	1	1	1	1	1
33	6306130902	MEMBRANE TOUCH KEYPAD (STICKER)	1	1	1	1	1	1	1	1
34	11121212	INDOOR AIR FILTER	2	2	2	2	2	2	2	2
35	20121070T	CONTROL COVER DOOR	1	1	1	1	1	1	1	1
36	42010037	EMS/FRONT DESK CONTROL TERMINAL BLOCK (2-PINS)	1	1	1	1	1	1	1	1
37	30562050	COMFORT TOUCH DISPLAY BOARD (TOUCH PAD BOARD)	1	1	1	1	1	1	1	1
38	30132117	CONTROL BOARD ASSY W/ DIP SWITCHS & THERMOSTAT CONNECTIONS, W/ 3-THERMISTOR	1	1	1	1	1	1	1	1
39	30132043	MAIN POWER BOARD ASSEMBLY (HIGH VOLTAGE)	1	1	1	1	1	1		1
39	30132072	MAIN POWER BOARD ASSEMBLY (HIGH VOLTAGE)							1	1
40	33010089	INDOOR FAN MOTOR CAPACITOR, CBB61, 1uF, 500V	1	1	1	1	1	1	1	1
41	33010025	OUTDOOR FAN MOTOR CAPACITOR, CBB61, 2uF, 450V (500V)	1	1	1	1				
41	33010026	OUTDOOR FAN MOTOR CAPACITOR, CBB61, 2.5uF, 450V (500V)					1	1	1	1
42	1501180202	INDOOR FAN MOTOR WITH WIRING HARNESS	1	1						
42	15011802	INDOOR FAN MOTOR WITH WIRING HARNESS			1	1				
42	1501180203	INDOOR FAN MOTOR WITH WIRING HARNESS					1	1	1	1
43	01701014P	INDOOR FAN MOTOR BRACKET ASSEMBLY	1	1	1	1	1	1	1	1
44	02121023P	SIDE PANEL (RIGHT)	1	1	1	1	1	1	1	1
45	01231079P	MID PARTITION WALL ASSEMBLY	1	1	1	1	1	1	1	1
46	03001764	CAPILLARY TUBE SUB-ASSEMBLY	1	1						

E-TAC Series, Heat Cool Model (A-Series Model)			230/208 Voltage Model								
VIEW NUMBER	PART NUMBER	PART DESCRIPTION	7,000 BTU		9,000 BTU		12,000 BTU			15,000 BTU	
			ETAC-07HC230V15A	ETAC-07HC230V20A	ETAC-09HC230V15A	ETAC-09HC230V20A	ETAC-12HC230V15A	ETAC-12HC230V20A	ETAC-12HC230V30A	ETAC-15HC230V20A	ETAC-15HC230V30A
46	03001766	CAPILLARY TUBE SUB-ASSEMBLY			1	1					
46	03001139	CAPILLARY TUBE SUB-ASSEMBLY					1	1	1		
46	03001341	CAPILLARY TUBE SUB-ASSEMBLY								1	1
47	01701039	WALL SLEEVE MOUNTING BRACKET (RIGHT)	1	1	1	1	1	1	1	1	1
48	1501180303	OUTDOOR FAN MOTOR WITH WIRING HARNESS	1		1						
48	150110343	OUTDOOR FAN MOTOR WITH WIRING HARNESS		1		1					
48	15011803	OUTDOOR FAN MOTOR WITH WIRING HARNESS					1				
48	15011047	OUTDOOR FAN MOTOR WITH WIRING HARNESS						1	1	1	1
49	00101061	COMPRESSOR ASSEMBLY AND FITTINGS	1	1							
49	00101049	COMPRESSOR ASSEMBLY AND FITTINGS			1	1					
49	00101087	COMPRESSOR ASSEMBLY AND FITTINGS					1	1	1		
49	00101085	COMPRESSOR ASSEMBLY AND FITTINGS								1	1
50	03611753	LIQUID LINE TUBE	1	1							
50	03611515	LIQUID LINE TUBE			1	1					
50	03611611	LIQUID LINE TUBE					1	1	1		
50	03611432	LIQUID LINE TUBE								1	1
51	00180303	COMPRESSOR OVERLOAD PROTECTOR (EXTERNAL)	1	1							
51	NONE	COMPRESSOR OVERLOAD PROTECTOR (BUILT-IN)			-	-					
51	00181071	COMPRESSOR OVERLOAD PROTECTOR (EXTERNAL)					1	1	1		
51	00180326	COMPRESSOR OVERLOAD PROTECTOR (EXTERNAL)								1	1
52	03621923	SUCTION LINE TUBE	1	1							
52	03621829	SUCTION LINE TUBE			1	1					
52	03621634	SUCTION LINE TUBE					1	1	1		
52	03621354	SUCTION LINE TUBE								1	1
53	07101001	CONDENSATE DRAIN VALVE	1	1	1	1	1	1	1	1	1
54	400203631	POWER CORD (LCDI) 230/208 VOLTAGE, 15 AMP	1		1		1				
54	400203632	POWER CORD (LCDI) 230/208 VOLTAGE, 20 AMP		1		1		1		1	
54	4002056001	POWER CORD (LCDI) 230/208 VOLTAGE, 30 AMP							1		1

E-TAC Series, Heat Cool Model (A-Series Model)			230/208 Voltage Model								
VIEW NUMBER	PART NUMBER	PART DESCRIPTION	7,000 BTU		9,000 BTU		12,000 BTU			15,000 BTU	
			ETAC-07HC230V15A	ETAC-07HC230V20A	ETAC-09HC230V15A	ETAC-09HC230V20A	ETAC-12HC230V15A	ETAC-12HC230V20A	ETAC-12HC230V30A	ETAC-15HC230V20A	ETAC-15HC230V30A
55	0120102601P	METAL BASE PAN	1	1							
55	0120102603P	METAL BASE PAN			1	1					
55	0120102607P	METAL BASE PAN					1	1	1		
55	01201026P	METAL BASE PAN								1	1
56	12411904	FOAM CONDENSATE DRAIN PAN	1	1	1	1	1	1	1	1	1
57	02121012	ELECTRIC HEATER INSULATION PLATE	1	1	1	1	1	1	1	1	1
58	0140198920	ELECTRIC CONTROL BOX ASSEMBLY, INCLUDES 36, 37, 38, 39, 40, 41, 59, 60, 61 & 62	1								
58	0140198911	ELECTRIC CONTROL BOX ASSEMBLY, INCLUDES 36, 37, 38, 39, 40, 41, 59, 60, 61 & 62		1							
58	0140198922	ELECTRIC CONTROL BOX ASSEMBLY, INCLUDES 36, 37, 38, 39, 40, 41, 59, 60, 61 & 62			1						
58	0140198913	ELECTRIC CONTROL BOX ASSEMBLY, INCLUDES 36, 37, 38, 39, 40, 41, 59, 60, 61 & 62				1					
58	0140198924	ELECTRIC CONTROL BOX ASSEMBLY, INCLUDES 36, 37, 38, 39, 40, 41, 59, 60, 61 & 62					1				
58	0140198915	ELECTRIC CONTROL BOX ASSEMBLY, INCLUDES 36, 37, 38, 39, 40, 41, 59, 60, 61 & 62						1			
58	0140198917	ELECTRIC CONTROL BOX ASSEMBLY, INCLUDES 36, 37, 38, 39, 40, 41, 59, 60, 61 & 62							1		
58	02601023	ELECTRIC CONTROL BOX ASSEMBLY, INCLUDES 36, 37, 38, 39, 40, 41, 59, 60, 61 & 62								1	
58	0140198919	ELECTRIC CONTROL BOX ASSEMBLY, INCLUDES 36, 37, 38, 39, 40, 41, 59, 60, 61 & 62									1
59	33010045	COMPRESSOR CAPACITOR, CBB65 15uF/450V	1	1							
59	33000017	COMPRESSOR CAPACITOR, CBB65 25uF/450V			1	1					
59	33000018	COMPRESSOR CAPACITOR, CBB65 30uF/450V					1	1	1		
59	3300008108	COMPRESSOR CAPACITOR, CBB65 40uF/450V								1	
59	33000045	COMPRESSOR CAPACITOR, CBB65 40uF/450V									1
60	42011103	POWER CORD TERMINAL BLOCK	1	1	1	1	1	1	1	1	1
61	43110270	POWER TRANSFORMER	1	1	1	1	1	1	1	1	1
62	42010039S	THERMOSTAT WIRING TERMINAL BLOCK (7-PINS)	1	1	1	1	1	1	1	1	1
N/S	45040037	ELECTRIC HEATER LOW LIMIT SWITCH, L60-10C (BLUE), CODE # 501992	1	1	1	1	1	1	1	1	1
N/S	46010381	ELECTRIC HEATER HIGH LIMIT SWITCH, L80C, (YELLOW), CODE # 311857	1	1	1	1	1	1	1	1	1
N/S	390000596	INDOOR COIL/TUBE TEMPERATURE SENSOR (BLACK CABLE, RED & BLACK CONNECTOR)	1	1	1	1	1	1	1	1	1
N/S	44020334	HEATER RELAY (KM1 & KM2)							2		2
N/S	76710223	COMPRESSOR GROMMET	3	3							

N/S = Not Shown

E-TAC Series, Heat Cool Model (A-Series Model)			230/208 Voltage Model								
VIEW NUMBER	PART NUMBER	PART DESCRIPTION	7,000 BTU		9,000 BTU		12,000 BTU			15,000 BTU	
			ETAC-07HC230V15A	ETAC-07HC230V20A	ETAC-09HC230V15A	ETAC-09HC230V20A	ETAC-12HC230V15A	ETAC-12HC230V20A	ETAC-12HC230V30A	ETAC-15HC230V20A	ETAC-15HC230V30A
N/S	76710290	COMPRESSOR GROMMET			3	3					
N/S	76711037	COMPRESSOR GROMMET					3	3	3		
N/S	76710216	COMPRESSOR GROMMET								3	3
N/S	01251029	BLOWER WHEEL RUBBER BEARING ASSEMBLY INCLUDES METAL PLATE (LEFT), INCLUDES 20	1	1	1	1	1	1	1	1	1
N/S	62261101	WALL THERMOSTAT CONTROL PANEL LABEL	1	1	1	1	1	1	1	1	1
N/S	30510092MX	WIRELESS HAND HELD REMOTE CONTROL	1	1	1	1	1	1	1	1	1
N/S	ETAC-REMOTE-KIT-A	IR REMOTE CONTROL WITH WIRELESS HAND HELD REMOTE CONTROL & RECEIVER (KIT)	1	1	1	1	1	1	1	1	1

GREE_ETAC_A_HC_PARTS_230V_022019