

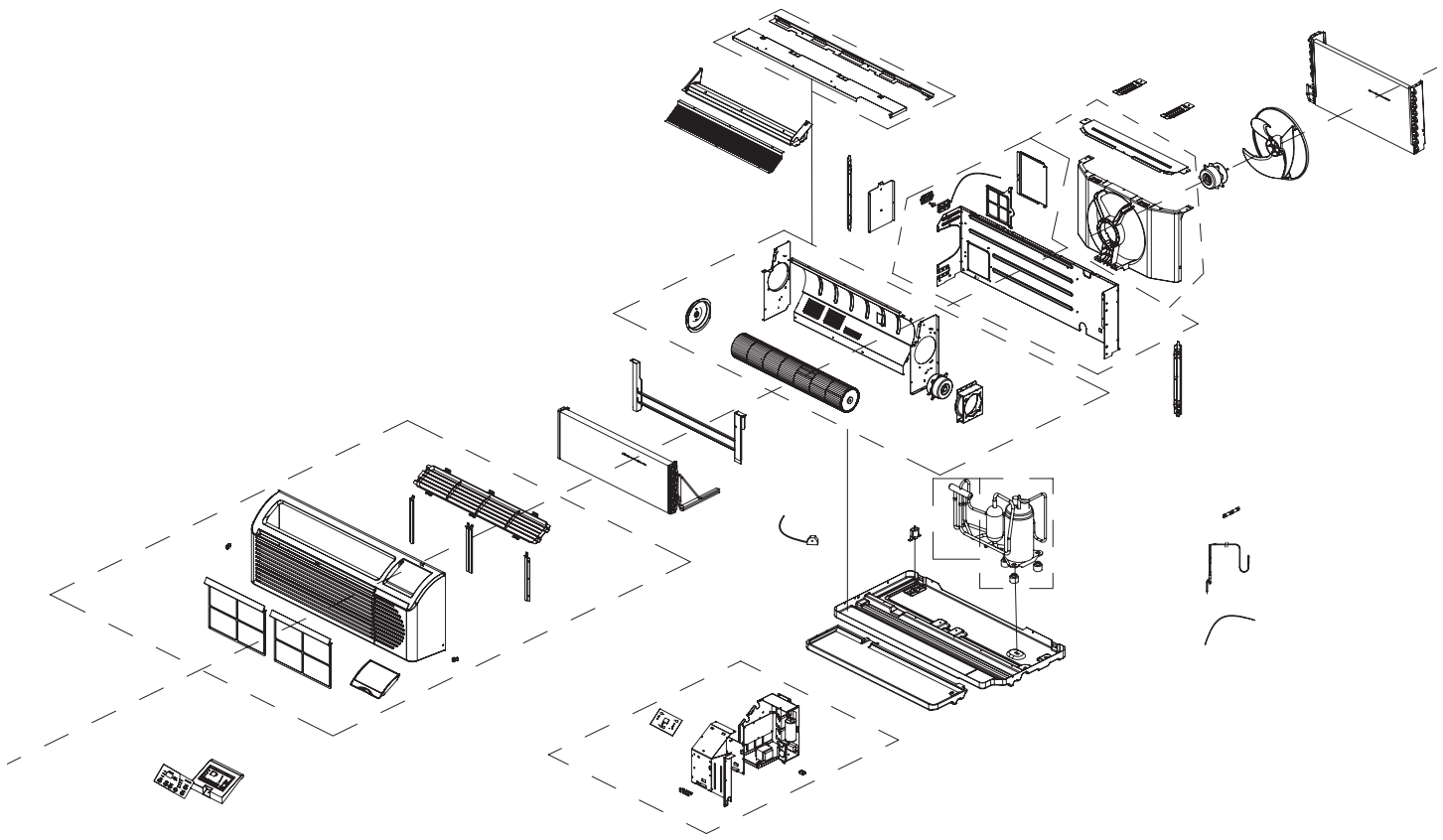
Packaged Terminal Air Conditioner/Heat Pump  
7,000-15,000 Btuh



2013

# E-TAC Series Replacement Parts Catalog

## Use for HP 230V & HC 265V Series Only

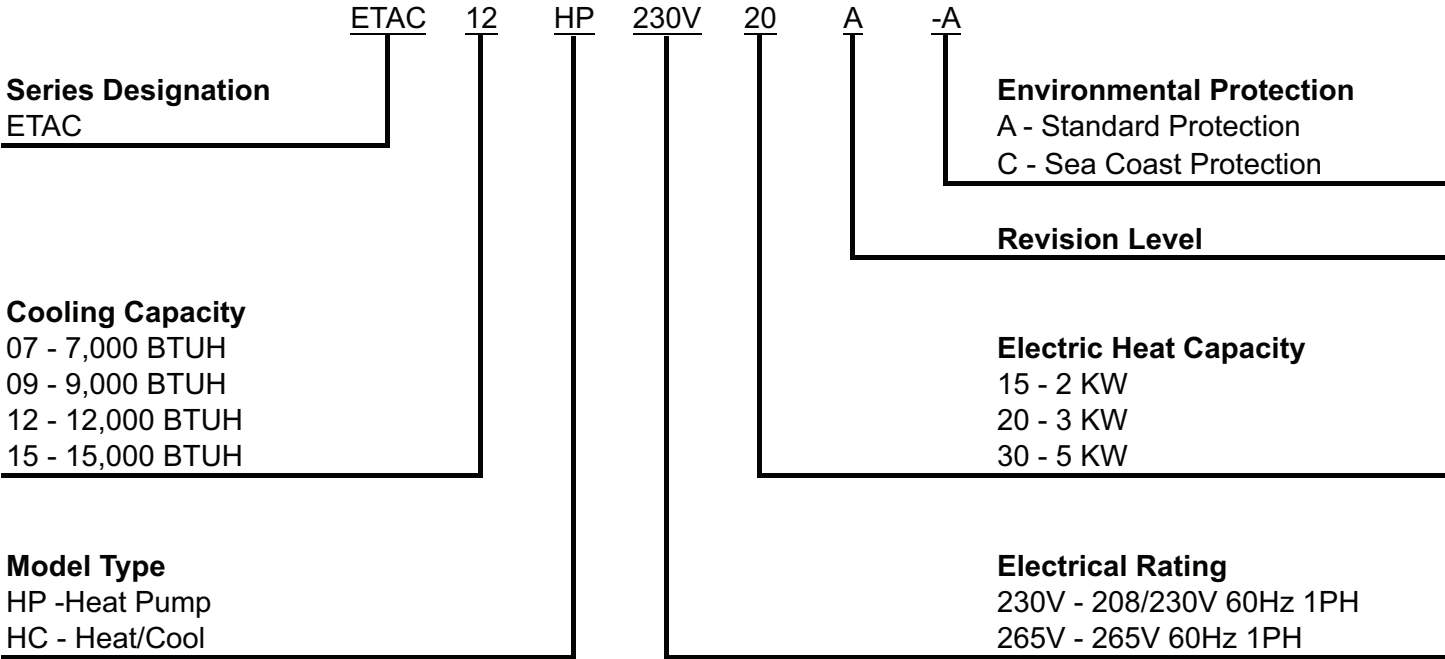
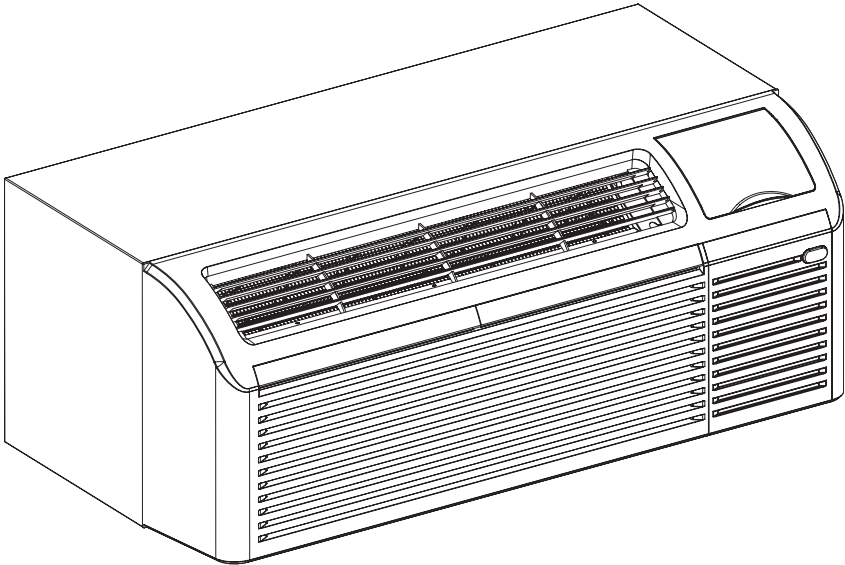


E-TAC

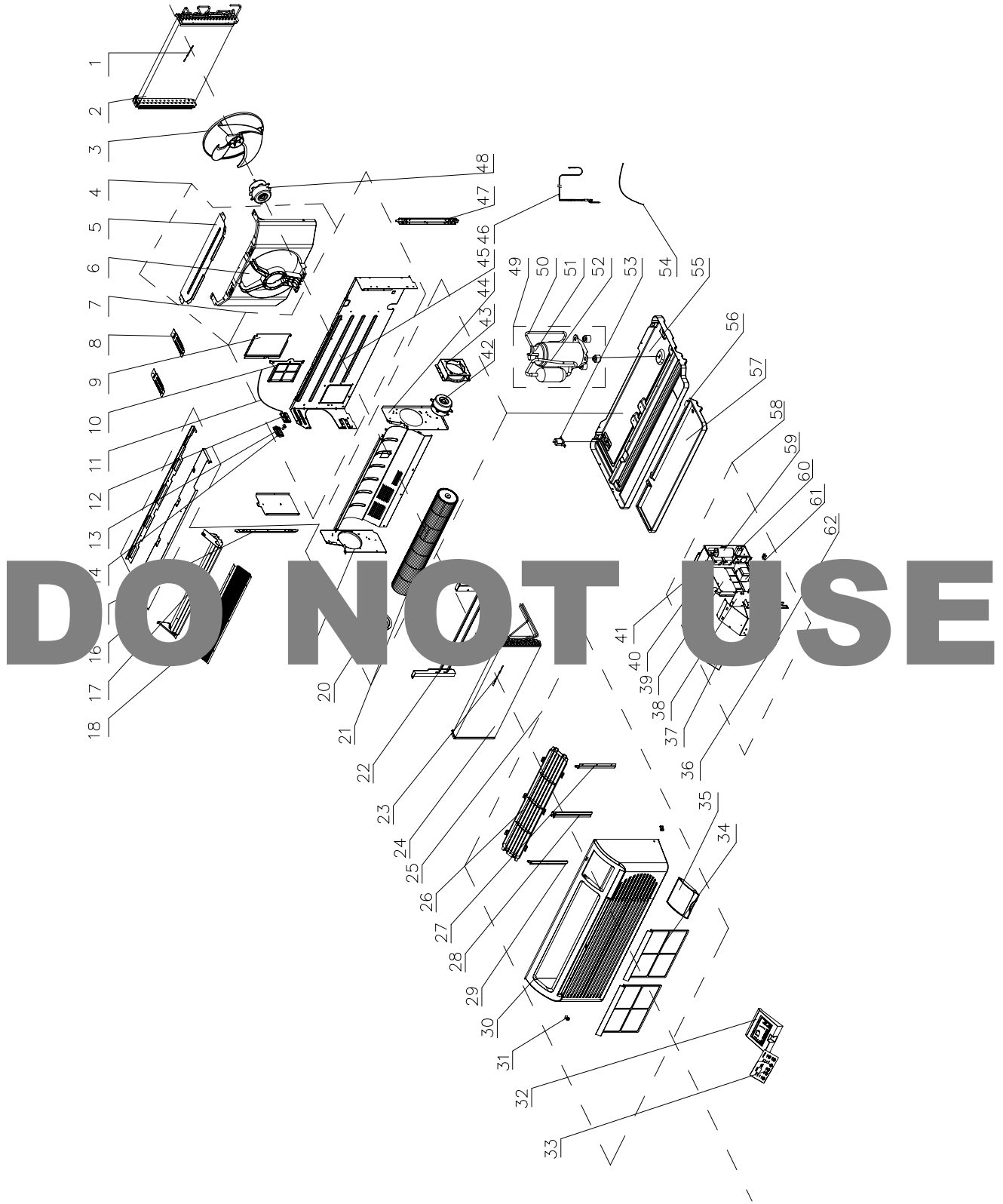
# Table of Contents

<b>Model Number</b>	<b>Description. . . . .</b>	<b>Page</b>
ETAC-07HC230V15A	PTAC 7,000 BTU Heat/Cool 208/230 Volt 15 Amp . . . .	2-3
ETAC-07HC230V20A	PTAC 7,000 BTU Heat/Cool 208/230 Volt 20 Amp . . . .	4-5
ETAC-09HC230V15A	PTAC 9,000 BTU Heat/Cool 208/230 Volt 15 Amp . . . .	6-7
ETAC-09HC230V20A	PTAC 9,000 BTU Heat/Cool 208/230 Volt 20 Amp . . . .	8-9
ETAC-12HC230V15A	PTAC 12,000 BTU Heat/Cool 208/230 Volt 15 Amp . . . .	10-11
ETAC-12HC230V20A	PTAC 12,000 BTU Heat/Cool 208/230 Volt 20 Amp . . . .	12-13
ETAC-12HC230V30A	PTAC 12,000 BTU Heat/Cool 208/230 Volt 30 Amp . . . .	14-15
ETAC-15HC230V20A	PTAC 15,000 BTU Heat/Cool 208/230 Volt 20 Amp . . . .	16-17
ETAC-15HC230V30A	PTAC 15,000 BTU Heat/Cool 208/230 Volt 30 Amp . . . .	18-19
ETAC-07HC265V20A	PTAC 7,000 BTU Heat/Cool 265v Volt 20 Amp. . . . .	20-21
ETAC-07HC265V20A	PTAC 7,000 BTU Heat/Cool 265v Volt 20 Amp. . . . .	22-23
ETAC-09HC265V20A	PTAC 9,000 BTU Heat/Cool 265 Volt 20 Amp. . . . .	24-25
ETAC-12HC265V20A	PTAC 12,000 BTU Heat/Cool 265 Volt 20 Amp. . . . .	26-27
ETAC-12HC265V30A	PTAC 12,000 BTU Heat/Cool 265 Volt 30 Amp. . . . .	28-29
ETAC-15HC265V20A	PTAC 15,000 BTU Heat/Cool 265 Volt 20 Amp . . . . .	30-31
ETAC-15HC265V30A	PTAC 15,000 BTU Heat/Cool 265 Volt 30 Amp. . . . .	32-33
ETAC-07HP230V15A	PTAC 7,000 BTU Heat Pump 208/230 Volt 15 Amp . . . .	34-35
ETAC-07HP230V15B	PTAC 7,000 BTU Heat Pump 208/230 Volt 15 Amp . . . .	36-37
ETAC-07HP230V20A	PTAC 7,000 BTU Heat Pump 208/230 Volt 20 Amp . . . .	38-39
ETAC-07HP230V20B	PTAC 7,000 BTU Heat Pump 208/230 Volt 20 Amp . . . .	40-41
ETAC-09HP230V15A	PTAC 9,000 BTU Heat Pump 208/230 Volt 15 Amp . . . .	42-43
ETAC-09HP230V15B	PTAC 9,000 BTU Heat Pump 208/230 Volt 15 Amp . . . .	44-45
ETAC-09HP230V20A	PTAC 9,000 BTU Heat Pump 208/230 Volt 20 Amp . . . .	46-47
ETAC-09HP230V20B	PTAC 9,000 BTU Heat Pump 208/230 Volt 20 Amp . . . .	48-49
ETAC-12HP230V15A	PTAC 12,000 BTU Heat Pump 208/230 Volt 15 Amp . . . .	50-51
ETAC-12HP230V20A	PTAC 12,000 BTU Heat Pump 208/230 Volt 20 Amp . . . .	52-53
ETAC-12HP230V30A	PTAC 12,000 BTU Heat Pump 208/230 Volt 30 Amp . . . .	54-55
ETAC-15HP230V20A	PTAC 15,000 BTU Heat Pump 208/230 Volt 20 Amp . . . .	56-57
ETAC-15HP230V20B	PTAC 15,000 BTU Heat Pump 208/230 Volt 20 Amp . . . .	58-59
ETAC-15HP230V30A	PTAC 15,000 BTU Heat Pump 208/230 Volt 30 Amp . . . .	60-61
ETAC-15HP230V30B	PTAC 15,000 BTU Heat Pump 208/230 Volt 30 Amp . . . .	62-63
ETAC-07HP265V20A	PTAC 7,000 BTU Heat Pump 265 Volt 20 Amp. . . . .	64-65
ETAC-07HP265V20B	PTAC 7,000 BTU Heat Pump 265 Volt 20 Amp. . . . .	66-67
ETAC-09HP265V20A	PTAC 9,000 BTU Heat Pump 265 Volt 20 Amp . . . . .	68-69
ETAC-12HP265V20A	PTAC 12,000 BTU Heat Pump 265 Volt 20 Amp. . . . .	70-71
ETAC-12HP265V30A	PTAC 12,000 BTU Heat Pump 265 Volt 30 Amp. . . . .	72-73
ETAC-15HP265V20A	PTAC 15,000 BTU Heat Pump 265 Volt 20 Amp . . . . .	74-75
ETAC-15HP265V20B	PTAC 15,000 BTU Heat Pump 265 Volt 20 Amp . . . . .	76-77
ETAC-15HP265V30A	PTAC 15,000 BTU Heat Pump 265 Volt 30 Amp. . . . .	78-79
ETAC-15HP265V30A	PTAC 15,000 BTU Heat Pump 265 Volt 30 Amp. . . . .	80-81

# Product Catalog Number-Nomenclature



**7,000 BTU Heat/Cool 208/230 Volt 15 Amp  
Model Number: ETAC-07HC230V15A**

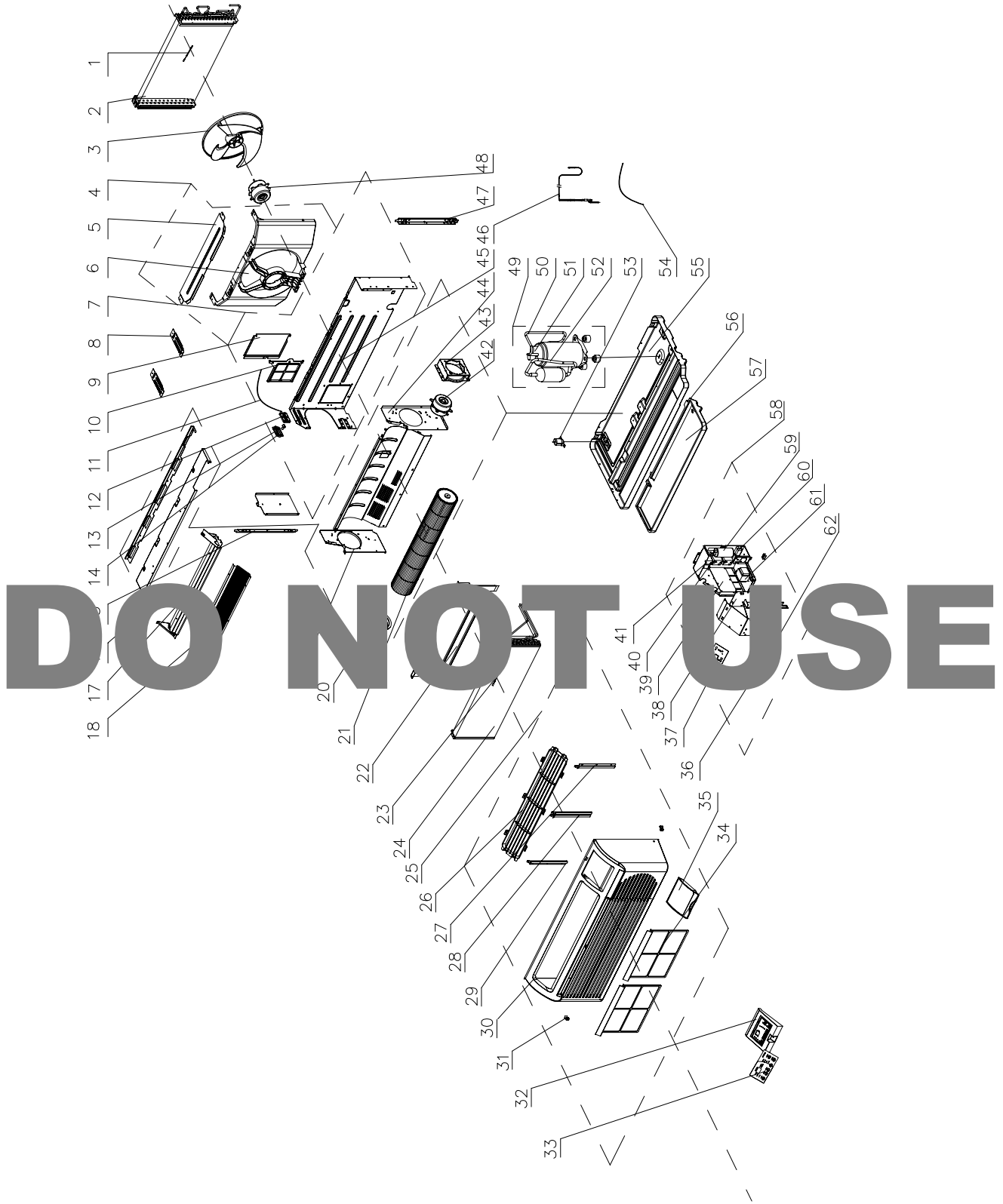


**7,000 BTU Heat/Cool 208/230 Volt 15 Amp  
Model Number: ETAC-07HC230V15A  
Gree Engineering Number: GAE07AB-D3RNB5C**

NO.	Part Code	Part Description	Qty
1	390002073	Outdoor Coil Temperature Sensor	1
2	01101289	Condenser Coil Assy	1
2	01101105	Condenser Coil Assy ( CP Model Only)	1
3	10331004	Outdoor Axial Flow Fan	1
4	1037100912	Condenser Shroud	1
5	01251028P	Condenser Shroud Cover	1
6	10371213	Outdoor Fan Motor Bracket	1
7	01231154	Main Partition Wall Assy	2
8	01381004	Condenser Shroud Support Bracket	1
9	01441015	Vent Door Sub-Assy	1
10	11121213	Vent Air Filter Sub-Assy	1
11	02121014	Vent Door Cable	1
12	26231155	Lower Vent Lever Cover	1
13	26231153	Vent Hand Lever	1
14	26231154	Upper Vent Lever Cover	1
15	01701038	Wall Sleeve Mounting Bracket (Left)	1
16	01251013	Top Cover Plate Sub-Assy	1
17	02121028P	Discharge Air Deck Sub-Assy	1
18	01471017	Discharge Air Screen	1
19	02121024P	Side Panel (Left)	1
20	26151139	Blower Wheel Bearing Assy (Left)	1
21	10351002	Indoor Blower Wheel (Cross Flow)	1
22	320000204	Electric Heater 2KW 230V	1
23	3900012123	Indoor Ambient Temperature Sensor	1
24	0100106601	Evaporator Coil Assy	1
25	2000147503	Front Panel Assy	1
26	22411023	Discharge Air Grille	1
27	26111139	Indoor Air Filter Support (Right)	1
28	26111140	Indoor Air Filter Support (Center)	1
29	26111141	Indoor Air Filter Support (Left)	1
30	20001673	Front Panel	1
31	02111013	Front Panel Mounting Clip	2
32	2012110802	Display Escutcheon Sub-Assy	1
33	6306130902	Membrane Keypad	1
34	ETAC-AIRFIL-TER-2PK	Indoor Air Filter	2

NO.	Part Code	Part Description	Qty
35	20121070T	Control Door	1
36	42010037	EM Wiring Terminal Block (2 -pins)	1
37	30562050	Display Control Board	1
38	30132043	Relay/Power Control Board 2	1
39	30132117	Main Control Board	1
40	33010089	Capacitor CBB61 1 uF 500V	1
41	33010025	Capacitor CBB61 2 uF 450V	1
42	1501180202	Indoor Fan Motor	1
43	01701014P	Indoor Fan Motor Support Sub-Assy	1
44	02121023P	Side Panel (Right)	1
45	01231079P	Main Partition Wall	1
46	03001764	Capillary Sub-Assy	1
47	01701039	Wall Sleeve Mounting Bracket (Right)	1
48	1501180303	Outdoor Fan Motor	1
49	00101061	Compressor and Fittings	1
50	03611753	Discharge Tube	1
51	00180303	Compressor Overload Protector (External)	1
52	03621923	Suction Tube	1
53	07101001	Condensate Drain Valve	1
54	400203631	Power Cord (LCDI) 208/230V 20A	1
55	0120102601P	Base Pan Assy	1
56	<b>12411904</b>	Foam Condensate Pan	1
57	<b>02121012</b>	Electric Heater Insulation Plate	1
58	<b>0140198920</b>	Electric Control Box Assy	1
59	<b>33010045</b>	Capacitor CBB65 15uF/450V	1
60	42011103	Power Cord Terminal Block	1
61	43110270	Transformer	1
62	42010039S	Thermostat Wiring Terminal Block (7 pins)	1
Not Shown	01361014P	Baffle Plate	1
Not Shown	01221018	Air Flue Assy	1
Not Shown	390000596	Indoor Coil Temperature Sensor	1
Not Shown	76710223	Compressor Grommet	3
Not Shown	30510092MX	Remote Control	1
Not Shown	22431329	IR Remote Receiver Assy	1
Not Shown	01471017	Discharge Air Screen	1

**7,000 BTU Heat/Cool 208/230 Volt 20 Amp  
Model Number: ETAC-07HC230V20A**

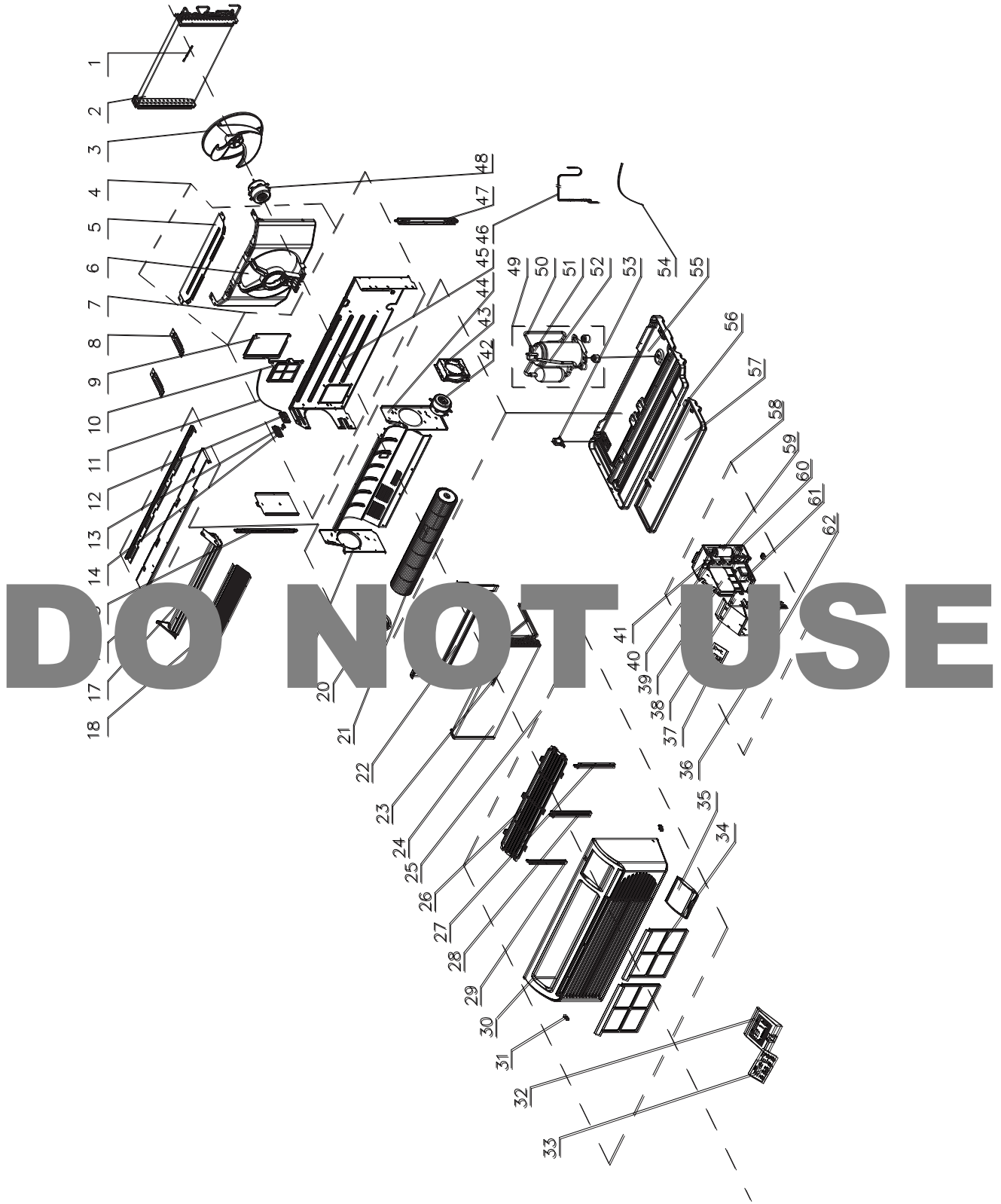


**7,000 BTU Heat/Cool 208/230 Volt 20 Amp  
Model Number: ETAC-07HC230V20A  
Gree Engineering Number: GAE07AB-D3RNB5A**

NO.	Part Code	Part Description	Qty
1	390002073	Outdoor Coil Temperature Sensor	1
2	01101289	Condenser Coil Assy	1
2	01101105	Condenser Coil Assy (CP Model Only)	1
3	10331004	Outdoor Axial Flow Fan	1
4	1037100902	Condenser Shroud	1
5	01251028P	Condenser Shroud Cover	1
6	10371213	Outdoor Fan Motor Bracket	1
7	01231154	Main Partition Wall Assy	1
8	01381004	Condenser Shroud Support Bracket	2
9	01441015	Vent Door Sub-Assy	1
10	11121213	Vent Air Filter Sub-Assy	1
11	02121014	Vent Door Cable	1
12	26231155	Lower Vent Lever Cover	1
13	26231153	Vent Hand Lever	1
14	26231154	Upper Vent Lever Cover	1
15	01701019	Wall Sleeve Mounting Bracket (Right)	1
16	01251013	Top Cover Plate Sub-Assy	1
17	02121028P	Discharge Air Deck Sub-Assy	1
18	01471017	Discharge Air Screen	1
19	02121024P	Side Panel (Left)	1
20	26151139	Blower Wheel Bearing Assy (Left)	1
21	10351002	Indoor Blower Wheel (Cross Flow)	1
22	320000201	Electric Heater 3KW 230V	1
23	3900012123	Indoor Ambient Temperature Sensor	1
24	0100106601	Evaporator Coil Assy	1
25	2000147503	Front Panel Assy	1
26	22411023	Discharge Air Grille	1
27	26111139	Indoor Air Filter Support (Right)	1
28	26111140	Indoor Air Filter Support (Center)	1
29	26111141	Indoor Air Filter Support (Left)	1
30	20001673	Front Panel	1
31	02111013	Front Panel Mounting Clip	2
32	2012110802	Display Escutcheon Sub-Assy	1
33	6306130902	Membrane Keypad	1
34	ETAC-AIRFIL-TER-2PK	Indoor Air Filter	2

NO.	Part Code	Part Description	Qty
35	20121070T	Control Door	1
36	42010037	EM Wiring Terminal Block (2 -pins)	1
37	30562050	Display Control Board	1
38	30132083	Main Control Board	1
39	30132043	Relay/Power Control Board 2	1
40	33010025	Capacitor CBB61 2uF 450V	1
41	33010089	Capacitor CBB61 1uF 500V	1
42	150110343	Indoor Fan Motor	1
43	01701014P	Indoor Fan Motor Support Sub-Assy	1
44	02121023P	Side Panel (Right)	1
45	01231079P	Main Partition Wall	1
46	03001764	Capillary Sub-Assy	1
47	01701018	Wall Sleeve Mounting Bracket (Left)	1
48	1501180202	Outdoor Fan Motor	1
49	00101061	Compressor and Fittings	1
50	03611753	Discharge Tube	1
51	00180303	Compressor Overload Protector (External)	1
52	03621923	Suction Tube	1
53	07100164	Condensate Drain Valve	1
54	400203632	Power Cord (LCDI) 208/230V 20A	1
55	0120102601P	Base Pan Assy	1
56	12411904	Foam Condensate Pan	1
57	02121012	Electric Heater Insulation Plate	1
58	0140198911	Electric Control Box Assy	1
59	33010045	Capacitor CBB65 15uF 450V	1
60	42011103	Power Cord Terminal Block	2
61	43110270	Transformer	1
62	42010039S	Thermostat Wiring Terminal Block (7 pins)	1
Not Shown	01221018	Air Flue Assy	1
Not Shown	390000596	Indoor Coil Temperature Sensor	1
Not Shown	76710223	Compressor Grommet	3
Not Shown	30510092MX	Remote Control	1
Not Shown	22431329	IR Remote Receiver Assy	1
Not Shown	01471017	Discharge Air Screen	1

**9,000 BTU Heat/Cool 208/230 Volt 15 Amp  
Model Number: ETAC-09HC230V15A**



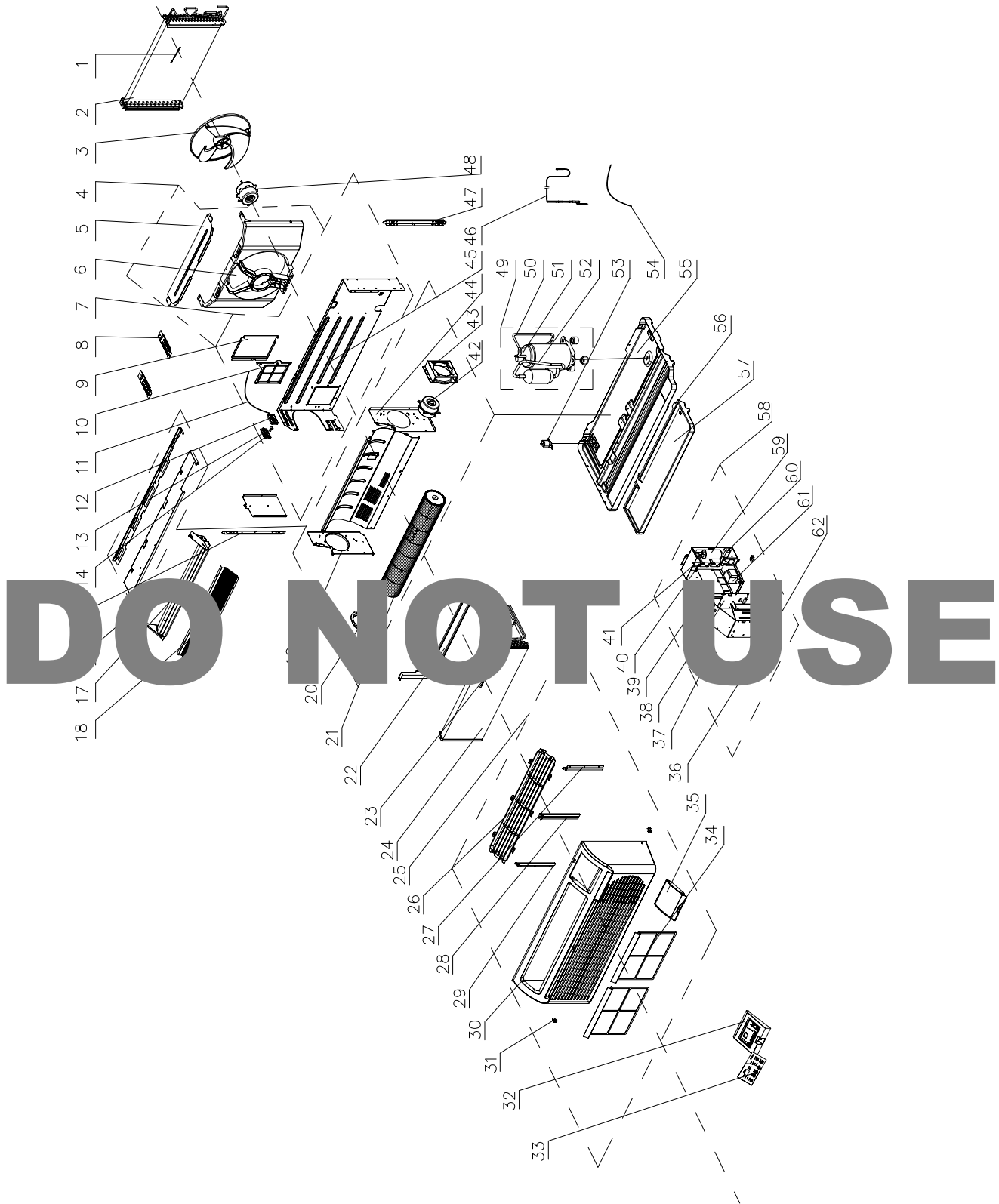


**9,000 BTU Heat/Cool 208/230 Volt 15 Amp  
Model Number: ETAC-09HC230V15A  
Gree Engineering Number: GAE09AB-D3RNB5C**

NO.	Part Code	Part Description	Qty
1	390002073	Outdoor Coil Temperature Sensor	1
2	01101348	Condenser Coil Assy	1
3	01101099	Condenser Coil Assy ( CP Model Only)	1
4	10331004	Outdoor Axial Flow Fan	1
5	1037100912	Condenser Shroud	1
6	01251028P	Condenser Shroud Cover	1
7	10371213	Outdoor Fan Motor Bracket	1
8	01231154	Main Partition Wall Assy	2
9	01381004	Condenser Shroud Support Bracket	1
10	01441015	Vent Door Sub-Assy	1
11	11121213	Vent Air Filter Sub-Assy	1
12	02121014	Vent Door Cable	1
13	26231155	Lower Vent Lever Cover	1
14	26231153	Vent Hand Lever	1
15	26231154	Upper Vent Lever Cover	1
16	01701038	Wall Sleeve Mounting Bracket (Left)	1
17	01251013	Top Cover Plate Sub-Assy	1
18	02121028P	Discharge Air Deck Sub-Assy	1
19	01471017	Discharge Air Screen	1
20	02121024P	Side Panel (Left)	1
21	26151139	Blower Wheel Bearing Assy (Left)	1
22	10351002	Indoor Blower Wheel (Cross Flow)	1
23	320000204	Electric Heater 2KW 230V	1
24	3900012123	Indoor Ambient Temperature Sensor	1
25	0100106001	Evaporator Coil Assy	1
26	2000147503	Front Panel Assy	1
27	22411023	Discharge Air Grille	1
28	26111139	Indoor Air Filter Support (Right)	1
29	26111140	Indoor Air Filter Support (Center)	1
30	26111141	Indoor Air Filter Support (Left)	1
31	20001673	Front Panel	1
32	02111013	Front Panel Mounting Clip	2
33	2012110802	Display Escutcheon Sub-Assy	1
34	6306130902	Membrane Keypad	1
	ETAC-AIRFIL-TER-2PK	Indoor Air Filter	2

NO.	Part Code	Part Description	Qty
35	20121070T	Control Door	1
36	42010037	EM Wiring Terminal Block (2 -pins)	1
37	30562050	Display Control Board	1
38	30132043	Relay/Power Control Board 2	1
39	30132117	Main Control Board	1
40	33010089	Capacitor CBB61 1uF 500V	1
41	33010025	Capacitor CBB61 2uF 500V	1
42	15011802	Indoor Fan Motor	1
43	01701014P	Indoor Fan Motor Support Sub-Assy	1
44	02121023P	Side Panel (Right)	1
45	01231079P	Main Partition Wall	1
46	03001766	Capillary Sub-Assy	1
47	01701039	Wall Sleeve Mounting Bracket (Right)	1
48	1501180303	Outdoor Fan Motor	1
49	00101049	Compressor	1
50	03611515	Discharge Tube	1
51	built in	Compressor Overload Protector(External)	1
52	03621829	Suction Tube	1
53	07101001	Condensate Drain Valve	1
54	400203631	Power Cord (LCDI) 208/230V 15A	1
55	0120102603P	Chassis Sub-Assy	1
56	12411904	Foam Condensate Pan	1
57	02121012	Electric Heater Insulation Plate	1
58	0140198922	Electric Control Box Assy	1
59	33000017	Capacitor CBB65 25uF 450V	1
60	42011103	Power Cord Terminal Block	1
61	43110270	Transformer	1
62	42010039S	Thermostat Wiring Terminal Block (7 pins)	1
Not Shown	76710290	Compressor Grommet	3
Not Shown	390000596	Indoor Coil Temperature Sensor	1
Not Shown	01361014P	Baffle Plate	1
Not Shown	0122101801	Air Flue Assy	1
Not Shown	30510092MX	Remote Control	1
Not Shown	22431329	IR Remote Receiver Assy	1

**9,000 BTU Heat/Cool 208/230 Volt 20 Amp  
Model Number: ETAC-09HC230V20A**

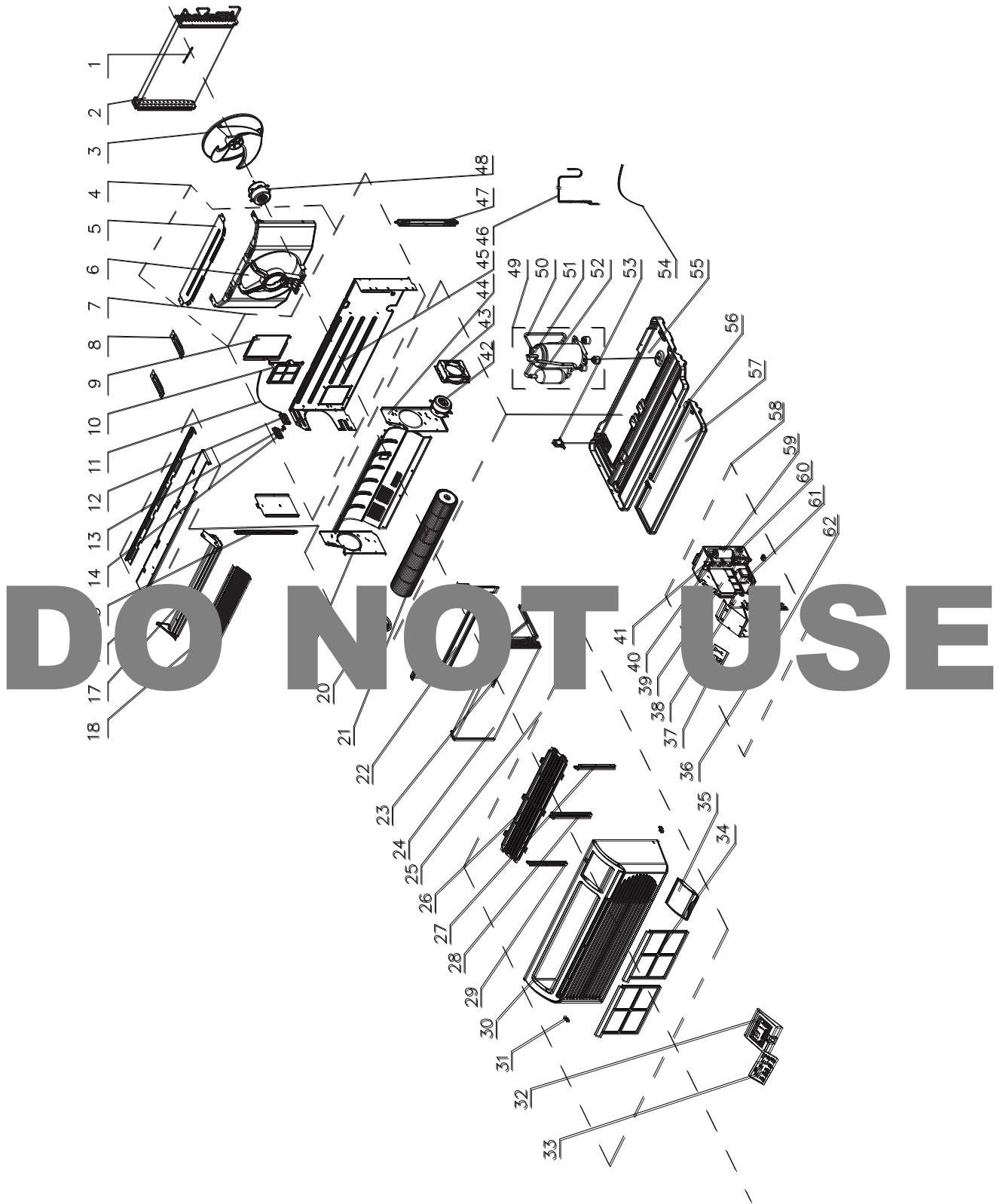


**9,000 BTU Heat/Cool 208/230 Volt 20 Amp  
Model Number: ETAC-09HC230V20A  
Gree Engineering Number: GAE09AB-D3RNB5A**

NO.	Part Code	Part Description	Qty
1	390002073	Outdoor Coil Temperature Sensor	1
2	01101348	Condenser Coil Assy	1
2	01101099	Condenser Coil Assy ( CP Model Only)	1
3	10331004	Outdoor Axial Flow Fan	1
4	1037100902	Condenser Shroud	1
5	01251028P	Condenser Shroud Cover	1
6	10371213	Outdoor Fan Motor Bracket	1
7	01231154	Main Partition Wall Assy	1
8	01381004	Condenser Shroud Support Bracket	2
9	01441015	Vent Door Sub-Assy	1
10	11121213	Vent Air Filter Sub-Assy	1
11	02121014	Vent Door Cable	1
12	26231155	Lower Vent Lever Cover	1
13	26231153	Vent Hand Lever	1
14	26231154	Upper Vent Lever Cover	1
15	01701019	Wall Sleeve Mounting Bracket (Right)	1
16	01251013	Top Cover Plate Sub-Assy	1
17	02121028P	Discharge Air Deck Sub-Assy	1
18	01471017	Discharge Air Screen	1
19	02121024P	Side Panel (Left)	1
20	26151139	Blower Wheel Bearing Assy (Left)	1
21	10351002	Indoor Blower Wheel (Cross Flow)	1
22	320000201	Electric Heater 3KW 230V	1
23	3900012123	Indoor Ambient Temperature Sensor	1
24	0100106001	Evaporator Coil Assy	1
25	2000147503	Front Panel Assy	1
26	22411023	Discharge Air Grille	1
27	26111139	Indoor Air Filter Support (Right)	1
28	26111140	Indoor Air Filter Support (Center)	1
29	26111141	Indoor Air Filter Support (Left)	1
30	20001673	Front Panel	1
31	02111013	Front Panel Mounting Clip	2
32	2012110802	Display Escutcheon Sub-Assy	1
33	6306130902	Membrane Keypad	1

NO.	Part Code	Part Description	Qty
34	ETAC-AIRFIL-TER-2PK	Indoor Air Filter	2
35	20121070T	Control Door	1
36	42010037	EM Wiring Terminal Block (2 -pins)	1
37	30562050	Display Control Board	1
38	30132083	Main Control Board	1
39	30132043	Relay/Power Control Board 2	1
40	33010025	Capacitor CBB61 2uF 450V	1
41	33010089	Capacitor CBB61 1uF 500V	1
42	150110343	Indoor Fan Motor	1
43	01701014P	Indoor Fan Motor Support Sub-Assy	1
44	02121023P	Side Panel (Right)	1
45	01231079P	Main Partition Wall	1
46	03001766	Capillary Sub-Assy	1
47	01701018	Wall Sleeve Mounting Bracket (Left)	1
48	15011802	Outdoor Fan Motor	1
49	00101049	Compressor	1
50	03611515	Discharge Tube	1
51	build-in	Compressor Overload Protector(External)	0
52	03621829	Suction Tube	1
53	07100164	Condensate Drain Valve	1
54	400203632	Power Cord (LCDI) 208/230V 20A	1
55	0120102603P	Chassis Sub-Assy	1
56	12411904	Foam Condensate Pan	1
57	02121012	Electric Heater Insulation Plate	1
58	0140198913	Electric Control Box Assy	1
59	33000017	Capacitor CBB65 25uF 450V	1
60	42011103	Power Cord Terminal Block	2
61	43110270	Transformer	1
62	42010039S	Thermostat Wiring Terminal Block (7 pins)	1
Not Shown	76710290	Compressor Grommet	3
Not Shown	0122101801	Air Flue Assy	1
Not Shown	390000596	Indoor Coil Temperature Sensor	1
Not Shown	30510092MX	Remote Control	1
Not Shown	22431329	IR Remote Receiver Assy	1

**12,000 BTU Heat/Cool 208/230 Volt 15 Amp  
Model Number: ETAC-12HC230V15A**

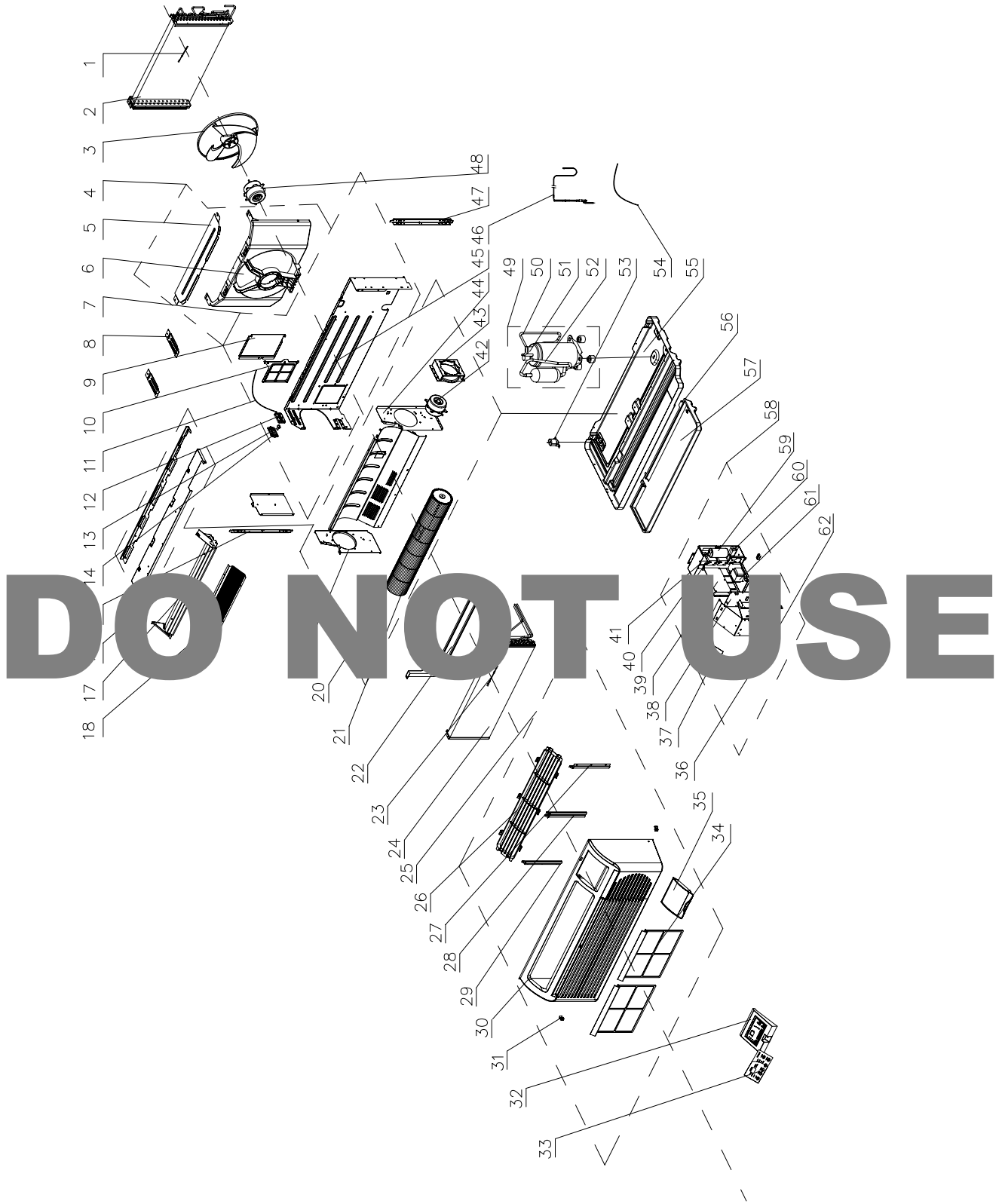


**12,000 BTU Heat/Cool 208/230 Volt 15 Amp  
Model Number: ETAC-12HC230V15A  
Gree Engineering Number: GAE12AB-D3RNB5C**

NO.	Part Code	Part Description	Qty
1	390002073	Outdoor Coil Temperature Sensor	1
2	01101348	Condenser Coil Assy	1
2	01101099	Condenser Coil Assy ( CP Model Only)	1
3	10331004	Outdoor Axial Flow Fan	1
4	1037100913	Condenser Shroud	1
5	01251028P	Condenser Shroud Cover	1
6	10371213	Outdoor Fan Motor Bracket	1
7	01231154	Main Partition Wall Assy	2
8	01381004	Condenser Shroud Support Bracket	1
9	01441015	Vent Door Sub-Assy	1
10	11121213	Vent Air Filter Sub-Assy	1
11	02121014	Vent Door Cable	1
12	26231155	Lower Vent Lever Cover	1
13	26231153	Vent Hand Lever	1
14	26231154	Upper Vent Lever Cover	1
15	01701038	Wall Sleeve Mounting Bracket (Left)	1
16	01251013	Top Cover Plate Sub-Assy	1
17	02121028P	Discharge Air Deck Sub-Assy	1
18	01471017	Discharge Air Screen	1
19	02121024P	Side Panel (Left)	1
20	26151139	Blower Wheel Bearing Assy (Left)	1
21	10351002	Indoor Blower Wheel (Cross Flow)	1
22	320000204	Electric Heater 2KW 230V	1
23	3900012123	Indoor Ambient Temperature Sensor	1
24	0100128501	Evaporator Coil Assy	1
25	2000147503	Front Panel Assy	1
26	22411023	Discharge Air Grille	1
27	26111139	Indoor Air Filter Support (Right)	1
28	26111140	Indoor Air Filter Support (Center)	1
29	26111141	Indoor Air Filter Support (Left)	1
30	20001673	Front Panel	1
31	02111013	Front Panel Mounting Clip	2
32	2012110802	Display Escutcheon Sub-Assy	1
33	6306130902	Membrane Keypad	1
34	ETAC-AIRFIL-TER-2PK	Indoor Air Filter	2

NO.	Part Code	Part Description	Qty
35	20121070T	Control Door	1
36	42010037	EM Wiring Terminal Block (2 -pins)	1
37	30562050	Display Control Board	1
38	30132043	Relay/Power Control Board 2	1
39	30132117	Main Control Board	1
40	33010089	Capacitor CBB61 1uF 500V	1
41	33010026	Capacitor CBB61 2.5 uF 450V	1
42	1501180203	Indoor Fan Motor	1
43	01701014P	Indoor Fan Motor Support Sub-Assy	1
44	02121023P	Side Panel (Right)	1
45	01231079P	Main Partition Wall	1
46	03001139	Capillary Sub-Assy	1
47	01701039	Wall Sleeve Mounting Bracket (Right)	1
48	15011803	Outdoor Fan Motor	1
49	00101087	Compressor and Fittings	1
50	03611611	Discharge Tube	1
51	00181071	Compressor Overload Protector(External)	1
52	03621634	Suction Tube	1
53	07101001	Condensate Drain Valve	1
54	400203631	Power Cord (LCDI) 208/230V 15A	1
55	0120102607P	Chassis Sub-Assy	1
56	12411904	Foam Condensate Pan	1
57	02121012	Electric Heater Insulation Plate	1
58	0140198924	Electric Control Box Assy	1
59	33000018	Capacitor CBB65 30uF 450V	1
60	42011103	Power Cord Terminal Block	1
61	43110270	Transformer	1
62	42010039S	Thermostat Wiring Terminal Block (7 pins)	1
Not Shown	76711037	Compressor Grommet	3
Not Shown	390000596	Indoor Coil Temperature Sensor	1
Not Shown	01361014P	Baffle Plate	1
Not Shown	0122101803	Air Flue Assy	1
Not Shown	30510092MX	Remote Control	1
Not Shown	22431329	IR Remote Receiver Assy	1

**12,000 BTU Heat/Cool 208/230 Volt 20 Amp  
Model Number: ETAC-12HC230V20A**

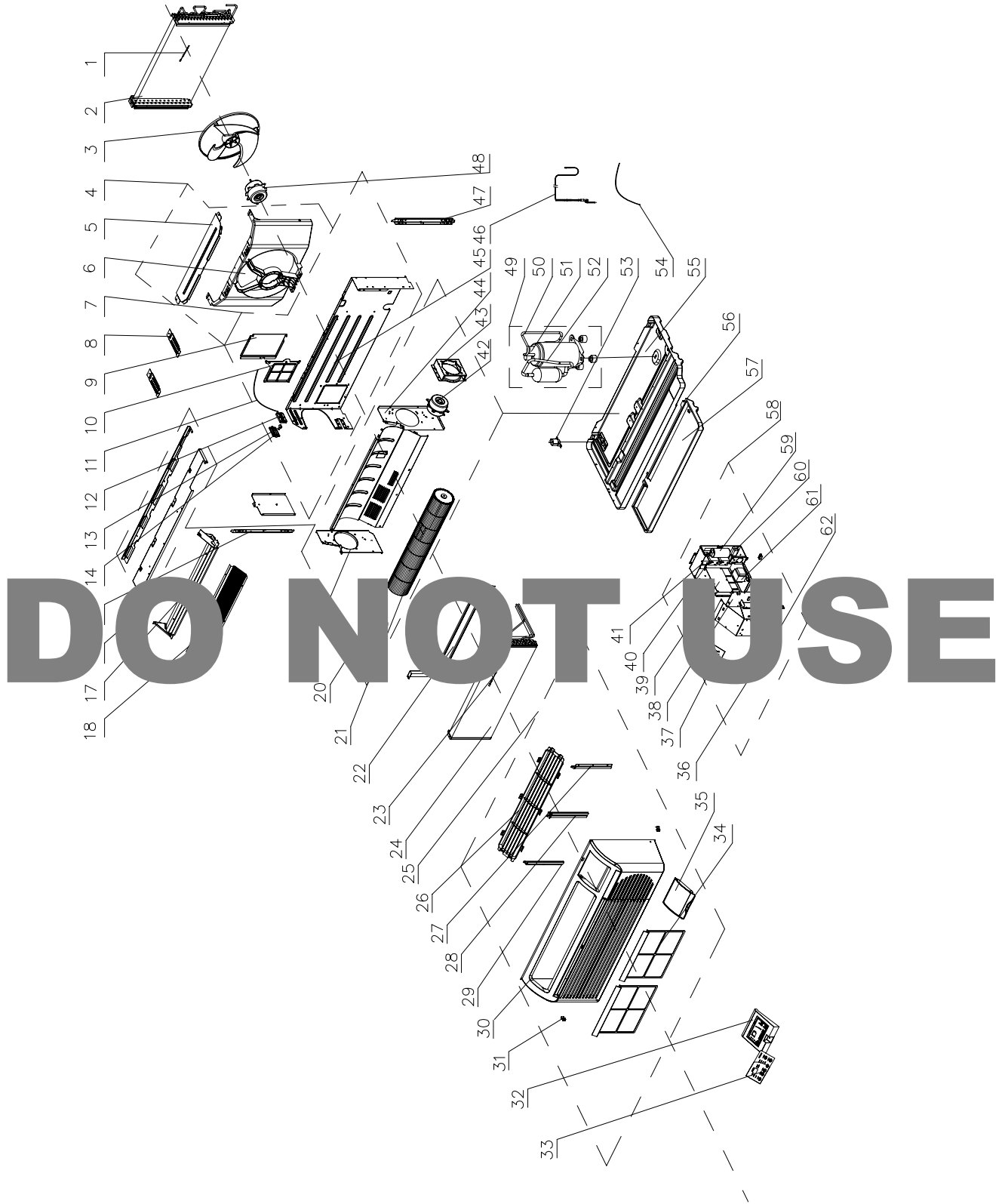


**12,000 BTU Heat/Cool 208/230 Volt 20 Amp  
Model Number: ETAC-12HC230V20A  
Gree Engineering Number: GAE12AB-D3RNB5A**

NO.	Part Code	Part Description	Qty
1	390002073	Outdoor Coil Temperature Sensor	1
2	01101348	Condenser Coil Assy	1
2	01101099	Condenser Coil Assy ( CP Model Only)	1
3	10331004	Outdoor Axial Flow Fan	1
4	1037100903	Condenser Shroud	1
5	01251028P	Condenser Shroud Cover	1
6	10371213	Outdoor Fan Motor Bracket	1
7	01231154	Main Partition Wall Assy	1
8	01381004	Condenser Shroud Support Bracket	2
9	01441015	Vent Door Sub-Assy	1
10	11121213	Vent Air Filter Sub-Assy	1
11	02121014	Vent Door Cable	1
12	26231155	Lower Vent Lever Cover	1
13	26231153	Vent Hand Lever	1
14	26231154	Upper Vent Lever Cover	1
15	01701019	Wall Sleeve Mounting Bracket (Right)	1
16	01251013	Top Cover Plate Sub-Assy	1
17	02121028P	Discharge Air Deck Sub-Assy	1
18	01471017	Discharge Air Screen	1
19	02121024P	Side Panel (Left)	1
20	26151139	Blower Wheel Bearing Assy (Left)	1
21	10351002	Indoor Blower Wheel (Cross Flow)	1
22	320000201	Electric Heater 3KW 230V	1
23	3900012123	Indoor Ambient Temperature Sensor	1
24	0100128501	Evaporator Coil Assy	1
25	2000147503	Front Panel Assy	1
26	22411023	Discharge Air Grille	1
27	26111139	Indoor Air Filter Support (Right)	1
28	26111140	Indoor Air Filter Support (Center)	1
29	26111141	Indoor Air Filter Support (Left)	1
30	20001673	Front Panel	1
31	02111013	Front Panel Mounting Clip	2
32	2012110802	Display Escutcheon Sub-Assy	1
33	6306130902	Membrane Keypad	1

NO.	Part Code	Part Description	Qty
34	ETAC-AIRFIL-TER-2PK	Indoor Air Filter	2
35	20121070T	Control Door	1
36	42010037	EM Wiring Terminal Block (2 -pins)	1
37	30562050	Display Control Board	1
38	30132083	Main Control Board	1
39	30132043	Relay/Power Control Board 2	1
40	33010026	Capacitor CBB61 2.5uF 450V	1
41	33010089	Capacitor CBB61 1uF 500V	1
42	15011047	Indoor Fan Motor	1
43	01701014P	Indoor Fan Motor Support Sub-Assy	1
44	02121023P	Side Panel (Right)	1
45	01231079P	Main Partition Wall	1
46	03001139	Capillary Sub-Assy	1
47	01701018	Wall Sleeve Mounting Bracket (Left)	1
48	1501180203	Outdoor Fan Motor	1
49	00101087	Compressor and Fittings	1
50	03611611	Discharge Tube	1
51	00181071	Compressor Overload Protector(External)	1
52	03621634	Suction Tube	1
53	07100164	Condensate Drain Valve	1
54	400203632	Power Cord (LCDI) 208/230V 20A	1
55	0120102607P	Chassis Sub-Assy	1
56	12411904	Foam Condensate Pan	1
57	02121012	Electric Heater Insulation Plate	1
58	0140198915	Electric Control Box Assy	1
59	33000018	Capacitor CBB65 30uF 450V	1
60	42011103	Power Cord Terminal Block	2
61	43110270	Transformer	1
62	42010039S	Thermostat Wiring Terminal Block (7 pins)	1
Not Shown	76711037	Compressor Grommet	3
Not Shown	0122101803	Air Flue Assy	1
Not Shown	390000596	Indoor Coil Temperature Sensor	1
Not Shown	30510092MX	Remote Control	1
Not Shown	22431329	IR Remote Receiver Assy	1

**12,000 BTU Heat/Cool 208/230 Volt 30 Amp  
Model Number: ETAC-12HC230V30A**



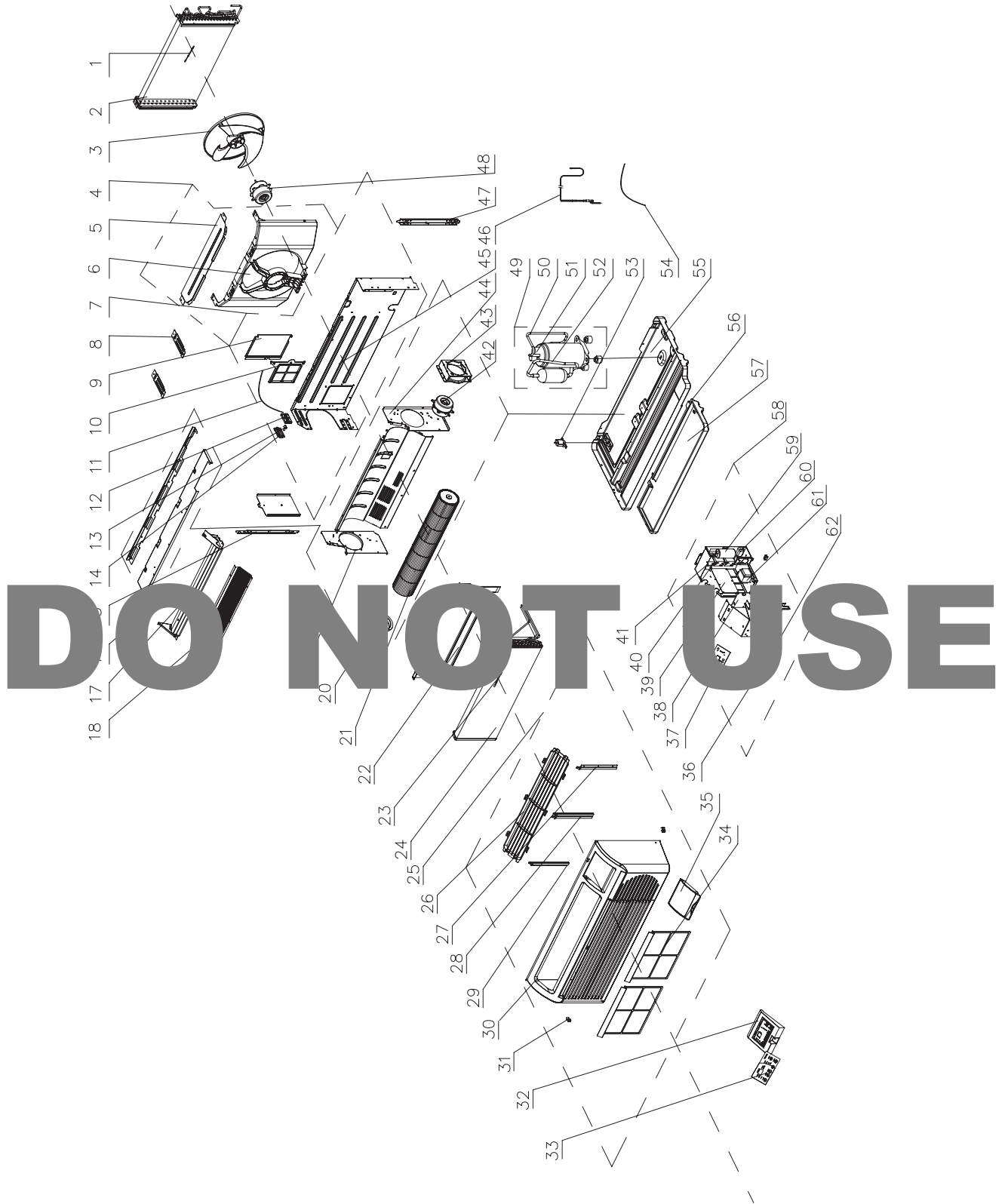


**12,000 BTU Heat/Cool 208/230 Volt 30 Amp  
Model Number: ETAC-12HC230V30A  
Gree Engineering Number: GAE12AB-D3RNB5B**

NO.	Part Code	Part Description	Qty
1	390002073	Outdoor Coil Temperature Sensor	1
2	01101348	Condenser Coil Assy	1
2	01101099	Condenser Coil Assy ( CP Model Only)	1
3	10331004	Outdoor Axial Flow Fan	1
4	1037100903	Condenser Shroud	1
5	01251028P	Condenser Shroud Cover	1
6	10371213	Outdoor Fan Motor Bracket	1
7	01231154	Main Partition Wall Assy	1
8	01381004	Condenser Shroud Support Bracket	2
9	01441015	Vent Door Sub-Assy	1
10	11121213	Vent Air Filter Sub-Assy	1
11	02121014	Vent Door Cable	1
12	26231155	Lower Vent Lever Cover	1
13	26231153	Vent Hand Lever	1
14	26231154	Upper Vent Lever Cover	1
15	01701019	Wall Sleeve Mounting Bracket (Right)	1
16	01251013	Top Cover Plate Sub-Assy	1
17	02121028P	Discharge Air Deck Sub-Assy	1
18	01471017	Discharge Air Screen	1
19	02121024P	Side Panel (Left)	1
20	26151139	Blower Wheel Bearing Assy (Left)	1
21	10351002	Indoor Blower Wheel (Cross Flow)	1
22	32000002	Electric Heater 5KW 230V	1
23	3900012123	Indoor Ambient Temperature Sensor	1
24	0100128501	Evaporator Coil Assy	1
25	2000147503	Front Panel Assy	1
26	22411023	Discharge Air Grille	1
27	26111139	Indoor Air Filter Support (Right)	1
28	26111140	Indoor Air Filter Support (Center)	1
29	26111141	Indoor Air Filter Support (Left)	1
30	20001673	Front Panel	1
31	02111013	Front Panel Mounting Clip	2
32	2012110802	Display Escutcheon Sub-Assy	1
33	6306130902	Membrane Keypad	1

NO.	Part Code	Part Description	Qty
34	ETAC-AIRFIL-TER-2PK	Indoor Air Filter	2
35	20121070T	Control Door	1
36	42010037	EM Wiring Terminal Block (2 -pins)	1
37	30562050	Display Control Board	1
38	30132083	Main Control Board	1
39	30132072	Relay/Power Control Board 2	1
40	33010026	Capacitor CBB61 2.5 uF 450V	1
41	33010089	Capacitor CBB61 1uF 500V	1
42	15011047	Indoor Fan Motor	1
43	01701014P	Indoor Fan Motor Support Sub-Assy	1
44	02121023P	Side Panel (Right)	1
45	01231079P	Main Partition Wall	1
46	03001139	Capillary Sub-Assy	1
47	01701018	Wall Sleeve Mounting Bracket (Left)	1
48	1501180203	Outdoor Fan Motor	1
49	00101087	Compressor and Fittings	1
50	03611611	Discharge Tube	1
51	00181071	Compressor Overload Protector(External)	1
52	03621634	Suction Tube	1
53	07100164	Condensate Drain Valve	1
54	4002056001	Power Cord (LCDI) 208/230V 30A	1
55	0120102607P	Chassis Sub-Assy	1
56	12411904	Foam Condensate Pan	1
57	02121012	Electric Heater Insulation Plate	1
58	0140198917	Electric Control Box Assy	1
59	33000018	Capacitor CBB65 30uF 450V	1
60	42011103	Power Cord Terminal Block	2
61	43110270	Transformer	1
62	42010039S	Thermostat Wiring Terminal Block (7 pins)	1
Not Shown	76711037	Compressor Grommet	3
Not Shown	0122101803	Air Flue Assy	1
Not Shown	390000596	Indoor Coil Temperature Sensor	1
Not Shown	30510092MX	Remote Control	1
Not Shown	22431329	IR Remote Receiver Assy	1

**15,000 BTU Heat/Cool 208/230 Volt 20 Amp  
Model Number: ETAC-15HC230V20A**

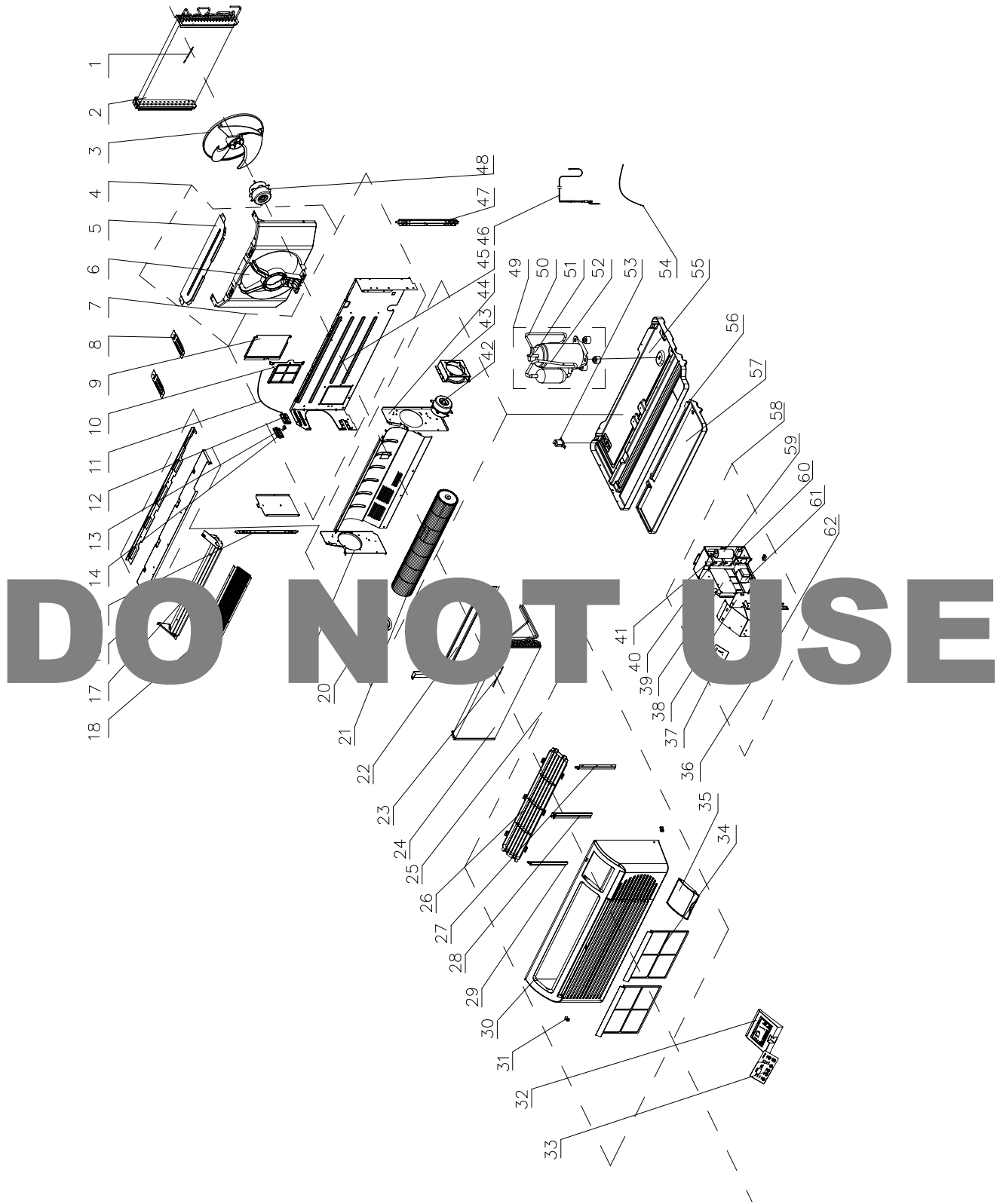


**15,000 BTU Heat/Cool 208/230 Volt 20 Amp  
Model Number: ETAC-15HC230V20A  
Gree Engineering Number: GAE15AB-D3RNB5A**

NO.	Part Code	Part Description	Qty
1	390002073	Outdoor Coil Temperature Sensor	1
2	01101191	Condenser Coil Assy	1
2	0110119102	Condenser Coil Assy ( CP Model Only)	1
3	10331004	Outdoor Axial Flow Fan	1
4	1037100903	Condenser Shroud	1
5	01251028P	Condenser Shroud Cover	1
6	10371213	Outdoor Fan Motor Bracket	1
7	01231154	Main Partition Wall Assy	1
8	01381004	Condenser Shroud Support Bracket	2
9	01441015	Vent Door Sub-Assy	1
10	11121213	Vent Air Filter Sub-Assy	1
11	02121014	Vent Door Cable	1
12	26231155	Lower Vent Lever Cover	1
13	26231153	Vent Hand Lever	1
14	26231154	Upper Vent Lever Cover	1
15	01701039	Wall Sleeve Mounting Bracket (Right)	1
16	01251013	Top Cover Plate Sub-Assy	1
17	02121028P	Discharge Air Deck Sub-Assy	1
18	01471017	Discharge Air Screen	1
19	02121024P	Side Panel (Left)	1
20	26151139	Blower Wheel Bearing Assy (Left)	1
21	10351002	Indoor Blower Wheel (Cross Flow)	1
22	320000201	Electric Heater 3KW 230V	1
23	3900012123	Indoor Ambient Temperature Sensor	1
24	0100128501	Evaporator Coil Assy	1
25	2000147503	Front Panel Assy	1
26	22411023	Discharge Air Grille	1
27	26111139	Indoor Air Filter Support (Right)	1
28	26111140	Indoor Air Filter Support (Center)	1
29	26111141	Indoor Air Filter Support (Left)	1
30	20001673	Front Panel	1
31	02111013	Front Panel Mounting Clip	2
32	2012110802	Display Escutcheon Sub-Assy	1
33	6306130902	Membrane Keypad	1

NO.	Part Code	Part Description	Qty
34	ETAC-AIRFIL-TER-2PK	Indoor Air Filter	2
35	20121070T	Control Door	1
36	42010037	EM Wiring Terminal Block (2 -pins)	1
37	30562050	Display Control Board	1
38	30132117	Main Control Board	1
39	30132043	Relay/Power Control Board 2	1
40	33010026	Capacitor CBB61 2.5uF 450V	1
41	3300008108	Capacitor CBB65 40uF 450V	1
42	1501180203	Indoor Fan Motor	1
43	01701014P	Indoor Fan Motor Support Sub-Assy	1
44	02121023P	Side Panel (Right)	1
45	01231079P	Main Partition Wall	1
46	03001341	Capillary Sub-Assy	1
47	01701038	Wall Sleeve Mounting Bracket (Left)	1
48	15011047	Outdoor Fan Motor	1
49	00101085	Compressor and Fittings	1
50	03611432	Discharge Tube	1
51	00180326	Compressor Overload Protector (External)	1
52	03621354	Suction Tube	1
53	07101001	Condensate Drain Valve	1
54	400203632	Power Cord (LCDI) 208/230V 20A	1
55	01201026P	Base Pan Assy	1
56	12411904	Foam Condensate Pan	1
57	02121012	Electric Heater Insulation Plate	1
58	02601023	Electric Control Box Assy	1
59	33010089	Capacitor CBB61 1uF 500V	1
60	42011103	Power Cord Terminal Block	2
61	43110270	Transformer	1
62	42010039S	Thermostat Wiring Terminal Block (7 pins)	1
Not Shown	76710216	Compressor Grommet	3
Not Shown	01361014P	Baffle Plate	1
Not Shown	390000596	Indoor Coil Temperature Sensor	1
Not Shown	30510092MX	Remote Control	1
Not Shown	22431329	IR Remote Receiver Assy	1

**15,000 BTU Heat/Cool208/230 Volt 30 Amp  
Model Number: ETAC-15HC230V30A**

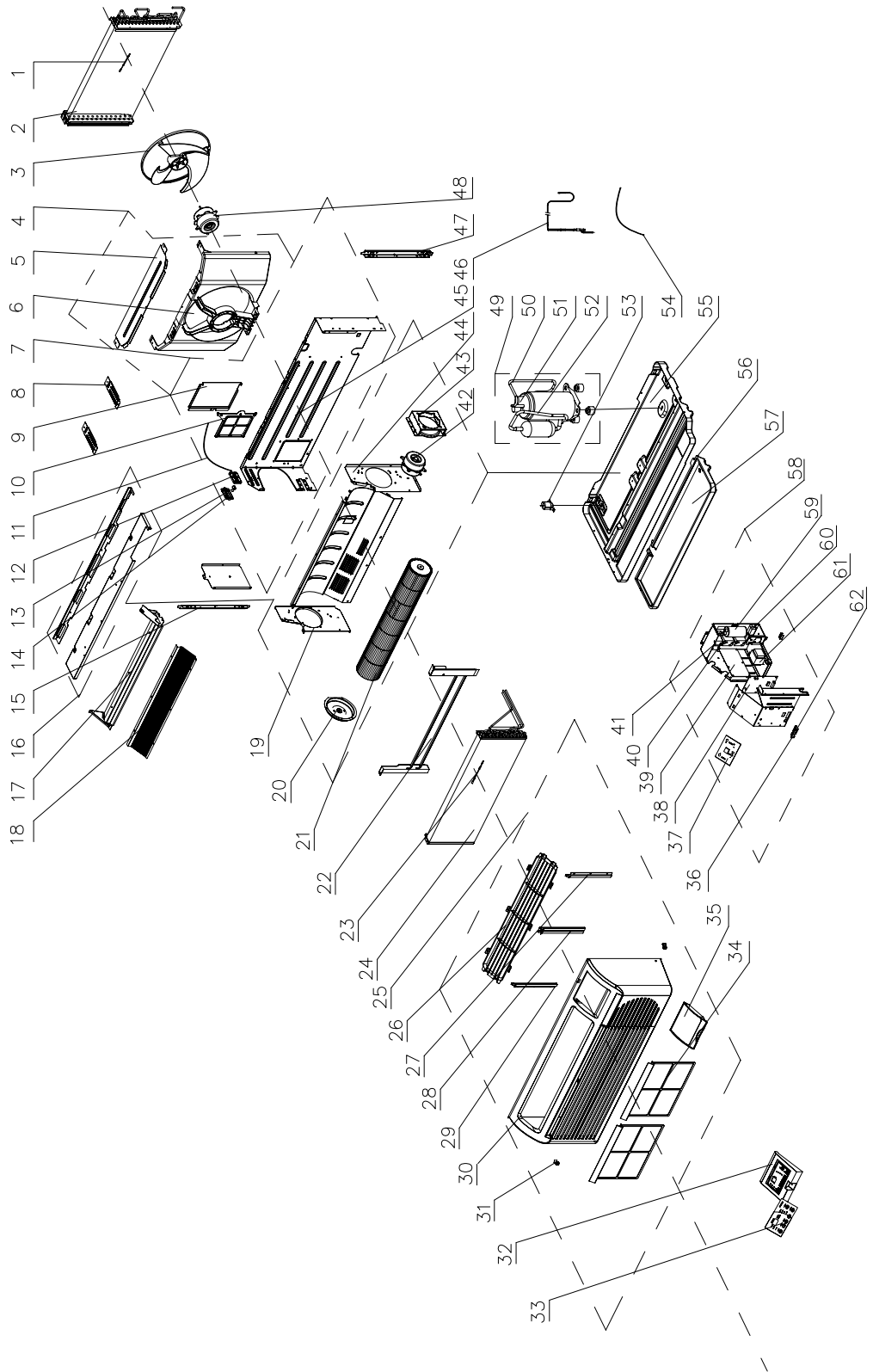


**15,000 BTU Heat/Cool208/230 Volt 30 Amp  
Model Number: ETAC-15HC230V30A  
Gree Engineering Number: GAE15AB-D3RNB5B**

NO.	Part Code	Part Description	Qty
1	390002073	Outdoor Coil Temperature Sensor	1
2	01101191	Condenser Coil Assy	1
2	0110119102	Condenser Coil Assy ( CP Model Only)	1
3	10331004	Outdoor Axial Flow Fan	1
4	1037100903	Condenser Shroud	1
5	01251028P	Condenser Shroud Cover	1
6	10371213	Outdoor Fan Motor Bracket	1
7	01231154	Main Partition Wall Assy	1
8	01381004	Condenser Shroud Support Bracket	2
9	01441015	Vent Door Sub-Assy	1
10	11121213	Vent Air Filter Sub-Assy	1
11	02121014	Vent Door Cable	1
12	26231155	Lower Vent Lever Cover	1
13	26231153	Vent Hand Lever	1
14	26231154	Upper Vent Lever Cover	1
15	01701019	Wall Sleeve Mounting Bracket (Right)	1
16	01251013	Top Cover Plate Sub-Assy	1
17	02121028P	Discharge Air Deck Sub-Assy	1
18	01471017	Discharge Air Screen	1
19	02121024P	Side Panel (Left)	1
20	26151139	Blower Wheel Bearing Assy (Left)	1
21	10351002	Indoor Blower Wheel (Cross Flow)	1
22	32000002	Electric Heater 5KW 230V	1
23	3900012123	Indoor Ambient Temperature Sensor	1
24	0100128501	Evaporator Coil Assy	1
25	2000147503	Front Panel Assy	1
26	22411023	Discharge Air Grille	1
27	26111139	Indoor Air Filter Support (Right)	1
28	26111140	Indoor Air Filter Support (Center)	1
29	26111141	Indoor Air Filter Support (Left)	1
30	20001673	Front Panel	1
31	02111013	Front Panel Mounting Clip	2
32	2012110802	Display Escutcheon Sub-Assy	1
33	6306130902	Membrane Keypad	1

NO.	Part Code	Part Description	Qty
34	ETAC-AIRFIL-TER-2PK	Indoor Air Filter	2
35	20121070T	Control Door	1
36	42010037	EM Wiring Terminal Block (2 -pins)	1
37	30562050	Display Control Board	1
38	30132083	Main Control Board	1
39	30132072	Relay/Power Control Board 2	1
40	33010026	Capacitor CBB61 2.5uF 450V	1
41	33010089	Capacitor CBB61 1uF 500V	1
42	15011047	Indoor Fan Motor	1
43	01701014P	Indoor Fan Motor Support Sub-Assy	1
44	02121023P	Side Panel (Right)	1
45	01231079P	Main Partition Wall	1
46	03001341	Capillary Sub-Assy	1
47	01701018	Wall Sleeve Mounting Bracket (Left)	1
48	1501180203	Outdoor Fan Motor	1
49	00101085	Compressor and Fittings	1
50	03611432	Discharge Tube	1
51	00180326	Compressor Overload Protector (External)	1
52	03621354	Suction Tube	1
53	07100164	Condensate Drain Valve	1
54	4002056001	Power Cord (LCDI) 208/230V 30A	1
55	01201026P	Base Pan Assy	1
56	12411904	Foam Condensate Pan	1
57	02121012	Electric Heater Insulation Plate	1
58	0140198919	Electric Control Box Assy	1
59	33000045	Capacitor CBB65 40uF 450V	1
60	42011103	Power Cord Terminal Block	2
61	43110270	Transformer	1
62	42010039S	Thermostat Wiring Terminal Block (7 pins)	1
Not Shown	76710216	Compressor Grommet	3
Not Shown	0122101803	Air Flue Assy	1
Not Shown	390000596	Indoor Coil Temperature Sensor	1
Not Shown	30510092MX	Remote Control	1
Not Shown	22431329	IR Remote Receiver Assy	1

**7,000 BTU Heat/Cool 265v Volt 20 Amp  
Model Number: ETAC-07HC265V20A**

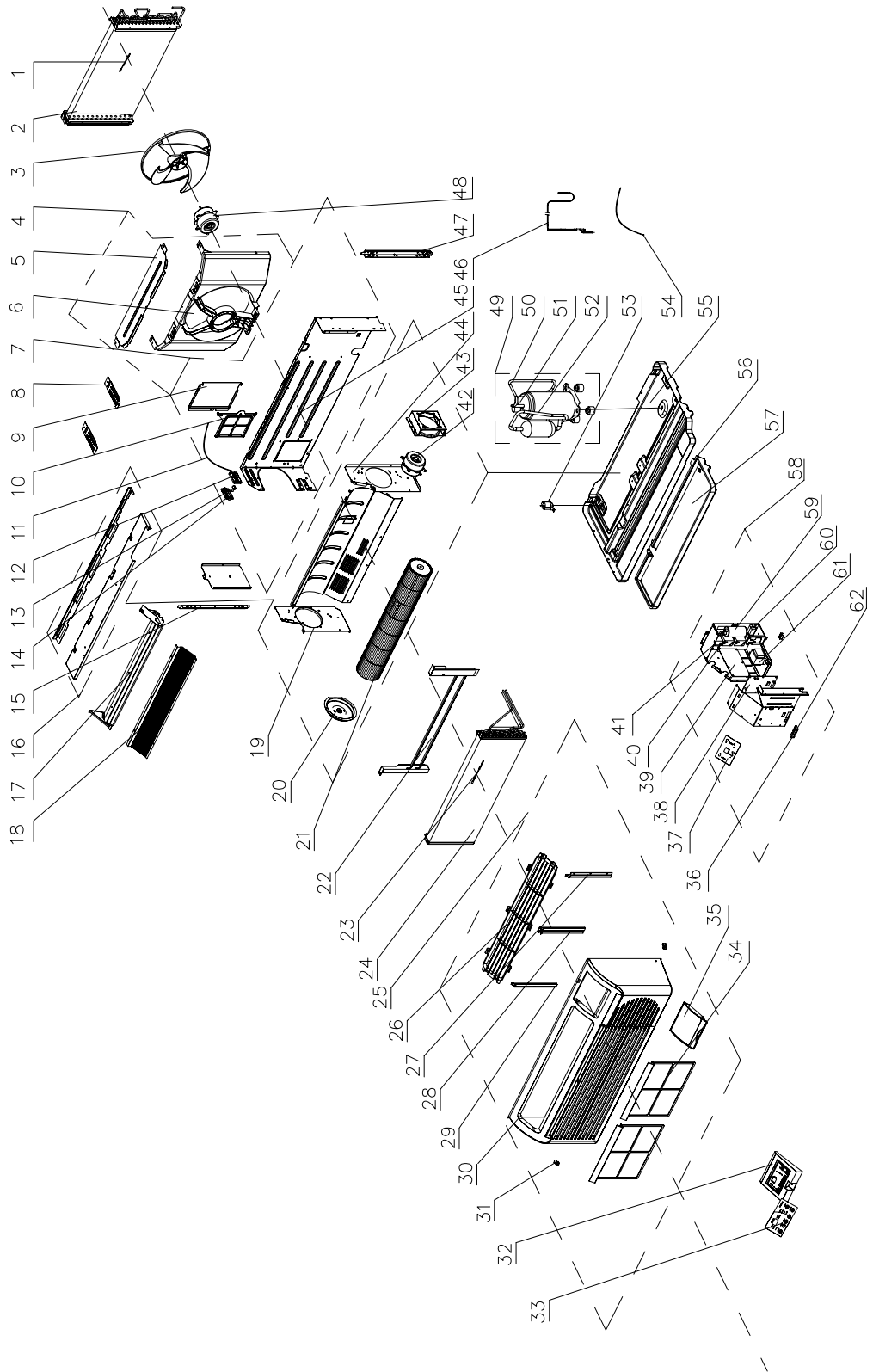


**7,000 BTU Heat/Cool 265v Volt 20 Amp  
Model Number: ETAC-07HC265V20A  
Gree Engineering Number: GAE07AB-P3RNB5A**

NO.	Part Code	Part Description	Qty
1	390002073	Outdoor Coil Temperature Sensor	1
2	01101289	Condenser Coil Assy	1
2	0110109701	Condenser Coil Assy ( CP Model Only)	1
3	10331004	Outdoor Axial Flow Fan	1
4	10371215	Condenser Shroud	1
5	01251028P	Condenser Shroud Cover	1
6	10371213	Outdoor Fan Motor Bracket	1
7	01231154	Main Partition Wall Assy	1
8	01381004	Condenser Shroud Support Bracket	2
9	01441015	Vent Door Sub-Assy	1
10	11121213	Vent Air Filter Sub-Assy	1
11	02121014	Vent Door Cable	1
12	26231155	Lower Vent Lever Cover	1
13	26231153	Vent Hand Lever	1
14	26231154	Upper Vent Lever Cover	1
15	01701039	Wall Sleeve Mounting Bracket (Right)	1
16	01251013	Top Cover Plate Sub-Assy	1
17	02121028P	Discharge Air Deck Sub-Assy	1
18	01471017	Discharge Air Screen	1
19	02121024P	Side Panel (Left)	1
20	26151139	Blower Wheel Bearing Assy (Left)	1
21	10351002	Indoor Blower Wheel (Cross Flow)	1
22	320000203	Electric Heater 3KW 265V	1
23	3900012123	Indoor Ambient Temperature Sensor	1
24	0100106601	Evaporator Coil Assy	1
25	2000147503	Front Panel Assy	1
26	22411023	Discharge Air Grille	1
27	26111139	Indoor Air Filter Support (Right)	1
28	26111140	Indoor Air Filter Support (Center)	1
29	26111141	Indoor Air Filter Support (Left)	1
30	20001673	Front Panel	1
31	02111013	Front Panel Mounting Clip	2
32	20121097	Display Escutcheon	1
33	6306130902	Membrane Keypad	1

NO.	Part Code	Part Description	Qty
34	ETAC-AIRFIL-TER-2PK	Indoor Air Filter	2
35	20121070	Control Door	1
36	42010037	EM Wiring Terminal Block (2 -pins)	1
37	30562050	Display Control Board	1
38	30132117	Main Control Board	1
39	30132080	Relay/Power Control Board 2	1
40	33010020	Capacitor CBB61 1.5uF 500V	1
41	33010089	Capacitor CBB61 1 uF 500V	1
42	150110345	Indoor Fan Motor	1
43	01701014P	Indoor Fan Motor Support Sub-Assy	1
44	02121023P	Side Panel (Right)	1
45	01231079P	Main Partition Wall	1
46	03001828	Capillary Sub-Assy	1
47	01701038	Wall Sleeve Mounting Bracket (Left)	1
48	1501180204	Outdoor Fan Motor	1
49	00101060	Compressor and Fittings	1
50	03611753	Discharge Tube	1
51	00180302	Compressor Overload Protector(External)	1
52	03621923	Suction Tube	1
53	07101001	Condensate Drain Valve	1
54	40020005	Power Cord 265V 20A	1
55	0120102601P	Base Pan Assy	1
56	12411904	Foam Condensate Pan	1
57	02121012	Electric Heater Insulation Plate	1
58	0140198211	Electric Control Box Assy	1
59	33010045	Capacitor CBB65 15uF/450V	1
60	42011103	Power Cord Terminal Block	2
61	43110269	Transformer	1
62	42010039S	Thermostat Wiring Terminal Block (7 pins)	1
Not Shown	30510092MX	Remote Control	1
Not Shown	22431329	IR Remote Receiver Assy	1
Not Shown	390000596	Indoor Coil Temperature Sensor	1
Not Shown	76710223	Compressor Grommet	3

**7,000 BTU Heat/Cool 265v Volt 20 Amp  
Model Number: ETAC-07HC265V20B**



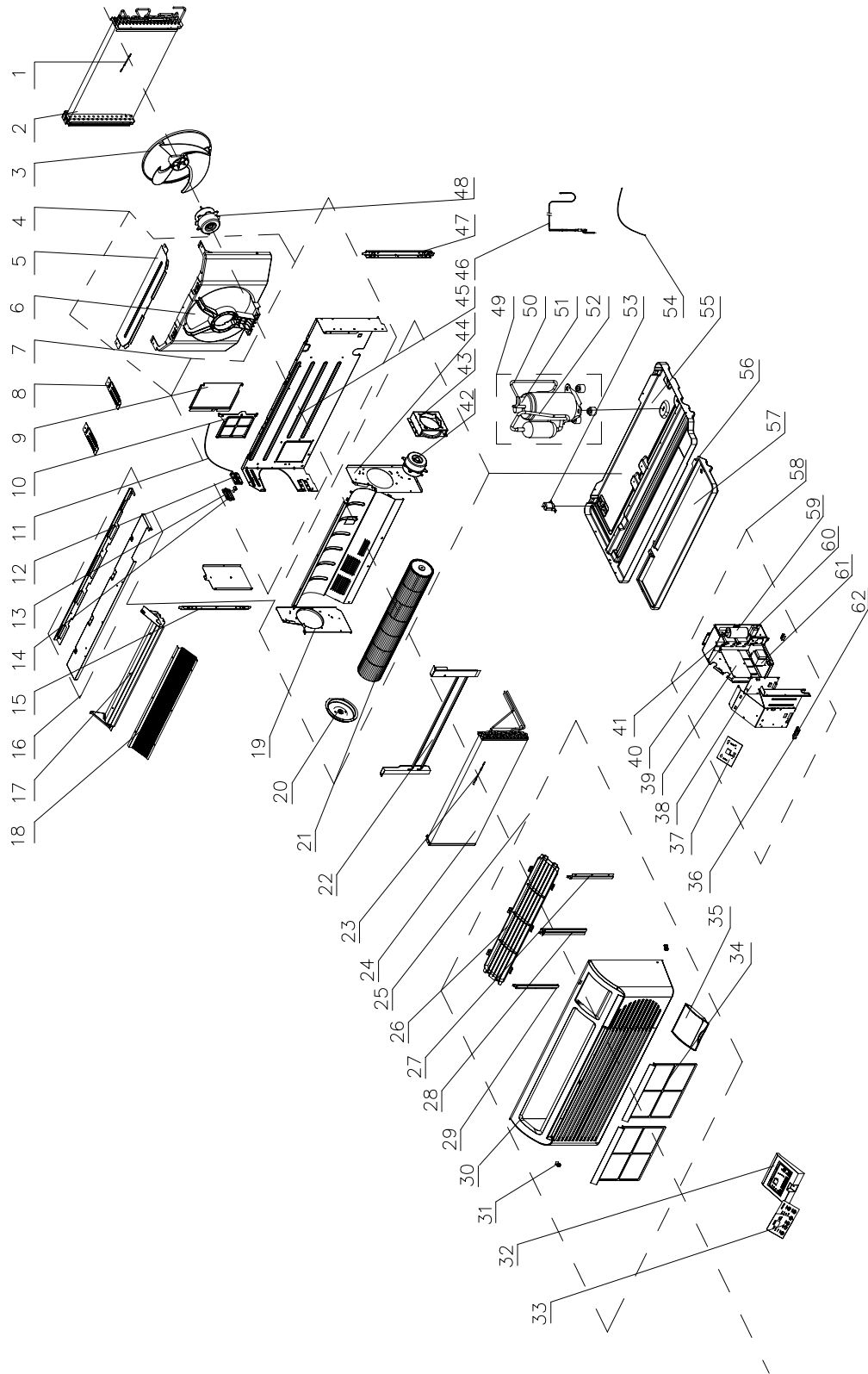


**7,000 BTU Heat/Cool 265v Volt 20 Amp  
Model Number: ETAC-07HC265V20B  
Gree Engineering Number: GAE07AB-P3RNB5D**

NO.	Part Code	Part Description	Qty
1	390002073	Outdoor Coil Temperature Sensor	1
2	01101272	Condenser Coil Assy	1
2	01101093	Condenser Coil Assy ( CP Model Only)	1
3	10331004	Outdoor Axial Flow Fan	1
4	1037100916	Condenser Shroud	1
5	01251028P	Condenser Shroud Cover	1
6	10371213	Outdoor Fan Motor Bracket	1
7	01231154	Main Partition Wall Assy	1
8	01381004	Condenser Shroud Support Bracket	2
9	01441015	Vent Door Sub-Assy	1
10	11121213	Vent Air Filter Sub-Assy	1
11	02121014	Vent Door Cable	1
12	26231155	Lower Vent Lever Cover	1
13	26231153	Vent Hand Lever	1
14	26231154	Upper Vent Lever Cover	1
15	01701038	Wall Sleeve Mounting Bracket (Left)	1
16	01251013	Top Cover Plate Sub-Assy	1
17	02121028P	Discharge Air Deck Sub-Assy	1
18	01471017	Discharge Air Screen	1
19	02121024P	Side Panel (Left)	1
20	26151139	Blower Wheel Bearing Assy (Left)	1
21	10351002	Indoor Blower Wheel (Cross Flow)	1
22	320000203	Electric Heater 3KW 265V	1
23	3900012123	Indoor Ambient Temperature Sensor	1
24	0100106601	Evaporator Coil Assy	1
25	2000147503	Front Panel Assy	1
26	22411023	Discharge Air Grille	1
27	26111139	Indoor Air Filter Support (Right)	1
28	26111140	Indoor Air Filter Support (Center)	1
29	26111141	Indoor Air Filter Support (Left)	1
30	20001673	Front Panel	1
31	02111013	Front Panel Mounting Clip	2
32	20121097	Display Escutcheon	1
33	6306130902	Membrane Keypad	1

NO.	Part Code	Part Description	Qty
34	ETAC-AIRFIL-TER-2PK	Indoor Air Filter	2
35	20121070T	Control Door	1
36	42010037	EM Wiring Terminal Block (2 -pins)	1
37	30562050	Display Control Board	1
38	30132080	Relay/Power Control Board 2	1
39	30132117	Main Control Board	1
40	3301074701	Capacitor CBB61S 1.5uF 450V	1
41	33010089	Capacitor CBB61 1uF 500V	1
42	1501180204	Indoor Fan Motor	1
43	01701014P	Indoor Fan Motor Support Sub-Assy	1
44	02121023P	Side Panel (Right)	1
45	01231079P	Main Partition Wall	1
46	03001424	Capillary Sub-Assy	1
47	01701039	Wall Sleeve Mounting Bracket (Right)	1
48	1501180305	Outdoor Fan Motor	1
49	00101060	Compressor and Fittings	1
50	03611745	Discharge Tube	1
51	00180302	Compressor Overload Protector(External)	1
52	03621923	Suction Tube	1
53	07101001	Condensate Drain Valve	1
54	40020005	Power Cord 265V 20A	1
55	0120102601P	Base Pan Assy	1
56	12411904	Foam Condensate Pan	1
57	02121012	Electric Heater Insulation Plate	1
58	0140198930	Electric Control Box Assy	1
59	33010045	Capacitor CBB65 15uF 450V	1
60	42011103	Power Cord Terminal Block	1
61	43110269	Transformer	1
62	42010039S	Thermostat Wiring Terminal Block (7 pins)	1
Not Shown	30510092MX	Remote Control	1
Not Shown	22431329	IR Remote Receiver Assy	1
Not Shown	390000596	Indoor Coil Temperature Sensor	1
Not Shown	76710223	Compressor Grommet	3

**9,000 BTU Heat/Cool 265 Volt 20 Amp  
Model Number: ETAC-09HC265V20A**

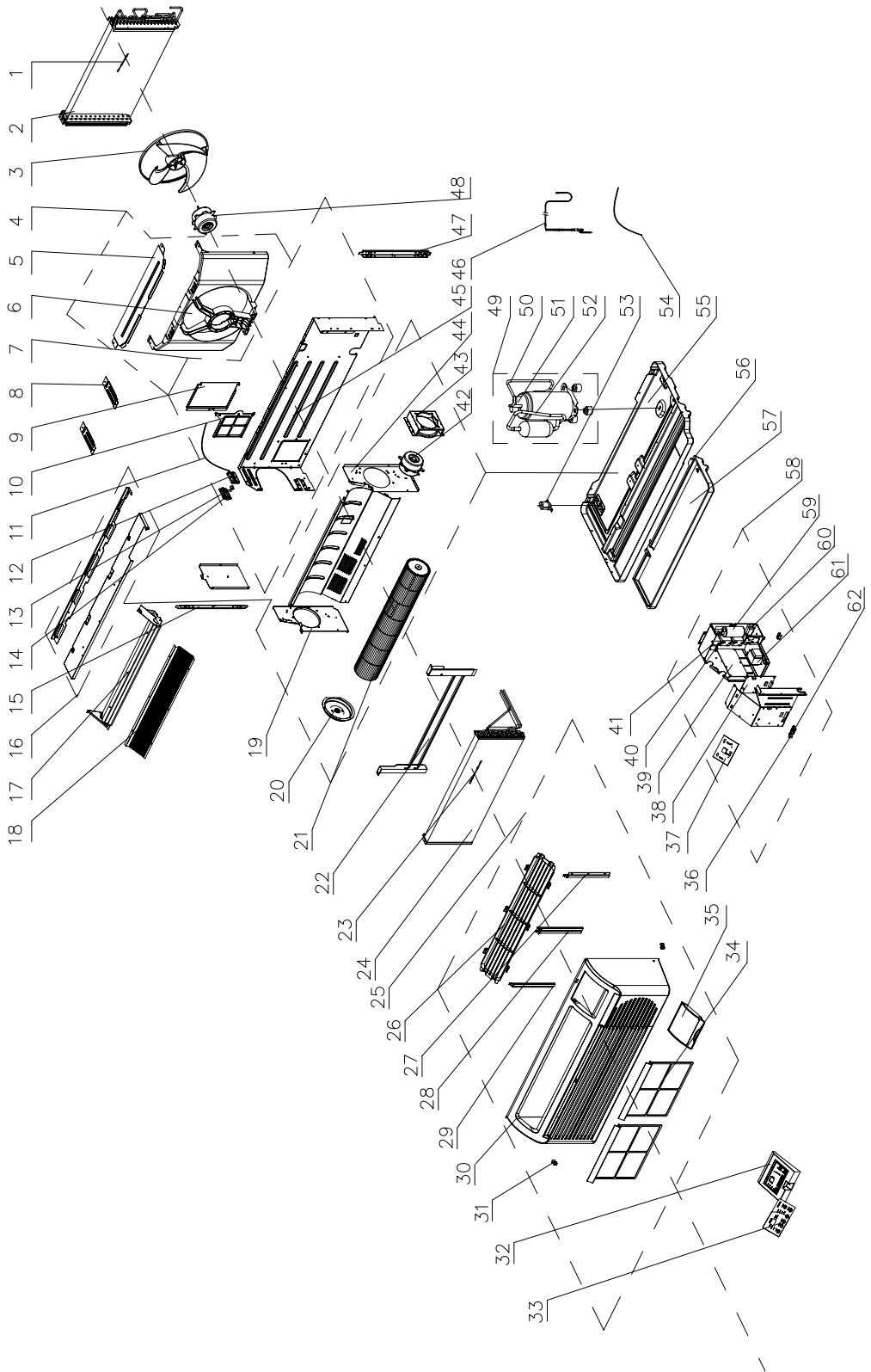


**9,000 BTU Heat/Cool 265 Volt 20 Amp  
Model Number: ETAC-09HC265V20A  
Gree Engineering Number: GAE09AB-P3RNB5A**

NO.	Part Code	Part Description	Qty
1	390002073	Outdoor Coil Temperature Sensor	1
2	01101348	Condenser Coil Assy	1
2	01101099	Condenser Coil Assy ( CP Model Only)	1
3	10331004	Outdoor Axial Flow Fan	1
4	10371215	Condenser Shroud	1
5	01251028P	Condenser Shroud Cover	1
6	10371213	Outdoor Fan Motor Bracket	1
7	01231154	Main Partition Wall Assy	1
8	01381004	Condenser Shroud Support Bracket	2
9	01441015	Vent Door Sub-Assy	1
10	11121213	Vent Air Filter Sub-Assy	1
11	02121014	Vent Door Cable	1
12	26231155	Lower Vent Lever Cover	1
13	26231153	Vent Hand Lever	1
14	26231154	Upper Vent Lever Cover	1
15	01701039	Wall Sleeve Mounting Bracket (Right)	1
16	01251013	Top Cover Plate Sub-Assy	1
17	02121028P	Discharge Air Deck Sub-Assy	1
18	01471017	Discharge Air Screen	1
19	02121024P	Side Panel (Left)	1
20	26151139	Blower Wheel Bearing Assy (Left)	1
21	10351002	Indoor Blower Wheel (Cross Flow)	1
22	320000203	Electric Heater 3KW 230V	1
23	3900012123	Indoor Ambient Temperature Sensor	1
24	01001092	Evaporator Coil Assy	1
25	2000147503	Front Panel Assy	1
26	22411023	Discharge Air Grille	1
27	26111139	Indoor Air Filter Support (Right)	1
28	26111140	Indoor Air Filter Support (Center)	1
29	26111141	Indoor Air Filter Support (Left)	1
30	20001673	Front Panel	1
31	02111013	Front Panel Mounting Clip	2
32	20121097	Display Escutcheon	1
33	6306130902	Membrane Keypad	1

NO.	Part Code	Part Description	Qty
34	ETAC-AIRFIL-TER-2PK	Indoor Air Filter	2
35	20121070	Control Door	1
36	42010037	EM Wiring Terminal Block (2 -pins)	1
37	30562050	Display Control Board	1
38	30132117	Main Control Board	1
39	30132080	Relay/Power Control Board 2	1
40	33010020	Capacitor CBB61 1.5 uF 450V	1
41	33010089	Capacitor CBB61 1 uF 500V	1
42	150110345	Indoor Fan Motor	1
43	01701014P	Indoor Fan Motor Support Sub-Assy	1
44	02121023P	Side Panel (Right)	1
45	01231079P	Main Partition Wall	1
46	03001959	Capillary Sub-Assy	1
47	01701038	Wall Sleeve Mounting Bracket (Left)	1
48	1501180204	Outdoor Fan Motor	1
49	00101052	Compressor	1
50	03611767	Discharge Tube	1
51	00181024	Compressor Overload Protector(External)	1
52	03621749	Suction Tube	1
53	07101001	Condensate Drain Valve	1
54	40020005	Power Cord 265V 20A	1
55	0120102604P	Chassis Sub-Assy	1
56	12411904	Foam Condensate Pan	1
57	02121012	Electric Heater Insulation Plate	1
58	0140198213	Electric Control Box Assy	1
59	33010045	Capacitor CBB65 15uF 450V	1
60	42011103	Power Cord Terminal Block	2
61	43110269	Transformer	1
62	42010039S	Thermostat Wiring Terminal Block (7 pins)	1
Not Shown	30510092MX	Remote Control	1
Not Shown	22431329	IR Remote Receiver Assy	1
Not Shown	390000596	Indoor Coil Temperature Sensor	1
Not Shown	76711002	Compressor Grommet	3

**12,000 BTU Heat/Cool 265 Volt 20 Amp  
Model Number: ETAC-12HC265V20A**

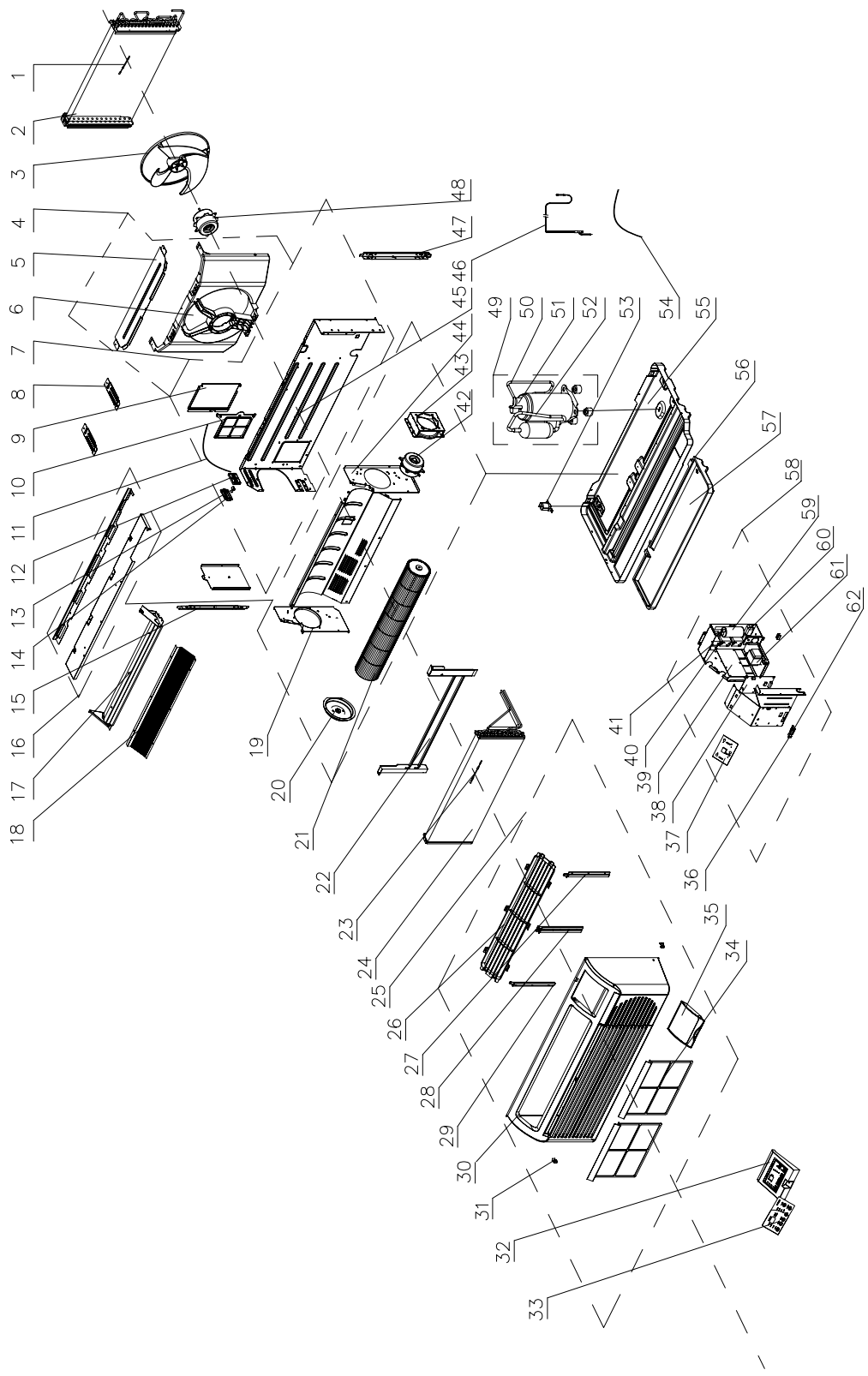


**12,000 BTU Heat/Cool 265 Volt 20 Amp  
Model Number: ETAC-12HC265V20A  
Gree Engineering Number: GAE12AB-P3RNB5A**

NO.	Part Code	Part Description	Qty
1	390002073	Outdoor Coil Temperature Sensor	1
2	01101348	Condenser Coil Assy	1
2	01101099	Condenser Coil Assy ( CP Model Only)	1
3	10331004	Outdoor Axial Flow Fan	1
4	1037100901	Condenser Shroud	1
5	01251028P	Condenser Shroud Cover	1
6	10371213	Outdoor Fan Motor Bracket	1
7	01231154	Main Partition Wall Assy	1
8	01381004	Condenser Shroud Support Bracket	2
9	01441015	Vent Door Sub-Assy	1
10	11121213	Vent Air Filter Sub-Assy	1
11	02121014	Vent Door Cable	1
12	26231155	Lower Vent Lever Cover	1
13	26231153	Vent Hand Lever	1
14	26231154	Upper Vent Lever Cover	1
15	01701039	Wall Sleeve Mounting Bracket (Right)	1
16	01251013	Top Cover Plate Sub-Assy	1
17	02121028P	Discharge Air Deck Sub-Assy	1
18	01471017	Discharge Air Screen	1
19	02121024P	Side Panel (Left)	1
20	26151139	Blower Wheel Bearing Assy (Left)	1
21	10351002	Indoor Blower Wheel (Cross Flow)	1
22	320000203	Electric Heater 3KW 265V	1
23	3900012123	Indoor Ambient Temperature Sensor	1
24	0100128501	Evaporator Coil Assy	1
25	2000147503	Front Panel Assy	1
26	22411023	Discharge Air Grille	1
27	26111139	Indoor Air Filter Support (Right)	1
28	26111140	Indoor Air Filter Support (Center)	1
29	26111141	Indoor Air Filter Support (Left)	1
30	20001673	Front Panel	1
31	02111013	Front Panel Mounting Clip	2
32	2012110802	Display Escutcheon Sub-Assy	1
33	6306130902	Membrane Keypad	1
34	ETAC-AIRFIL-TER-2PK	Indoor Air Filter	2

NO.	Part Code	Part Description	Qty
35	20121070T	Control Door	1
36	42010037	EM Wiring Terminal Block (2 -pins)	1
37	30562050	Display Control Board	1
38	30132117	Main Control Board	1
39	30132080	Relay/Power Control Board 2	1
40	33010026	Capacitor CBB61 2.5uF 450V	1
41	33010020	Capacitor CBB61 1.5uF 450V	1
42	1501180205	Indoor Fan Motor	1
43	01701014P	Indoor Fan Motor Support Sub-Assy	1
44	02121023P	Side Panel (Right)	1
45	01231079P	Main Partition Wall	1
46	03006176	Capillary Sub-Assy	1
47	01701038	Wall Sleeve Mounting Bracket (Left)	1
48	150110342	Outdoor Fan Motor	1
49	00101054	Compressor	1
50	03611826	Discharge Tube	1
51	00180151	Compressor Overload Protector(External)	1
52	03621831	Suction Tube	1
53	07101001	Condensate Drain Valve	1
54	40020005	Power Cord 265V 20A	1
55	0120102604P	Chassis Sub-Assy	1
56	12411904	Foam Condensate Pan	1
57	02121012	Electric Heater Insulation Plate	1
58	0140198905	Electric Control Box Assy	1
59	33000017	Capacitor CBB65 25uF 450V	1
60	42011103	Power Cord Terminal Block	2
61	43110269	Transformer	1
62	42010039S	Thermostat Wiring Terminal Block (7 pins)	1
Not Shown	390000596	Indoor Coil Temperature Sensor	1
Not Shown	00181091	Compressor Overload Protector(External)	1
Not Shown	76711002	Compressor Grommet	3
Not Shown	0122101807	Air Flue Assy	1
Not Shown	01361014P	Baffle Plate	1
Not Shown	30510092MX	Remote Control	1
Not Shown	22431329	IR Remote Receiver Assy	1

**12,000 BTU Heat/Cool 265 Volt 30 Amp  
Model Number: ETAC-12HC265V30A**

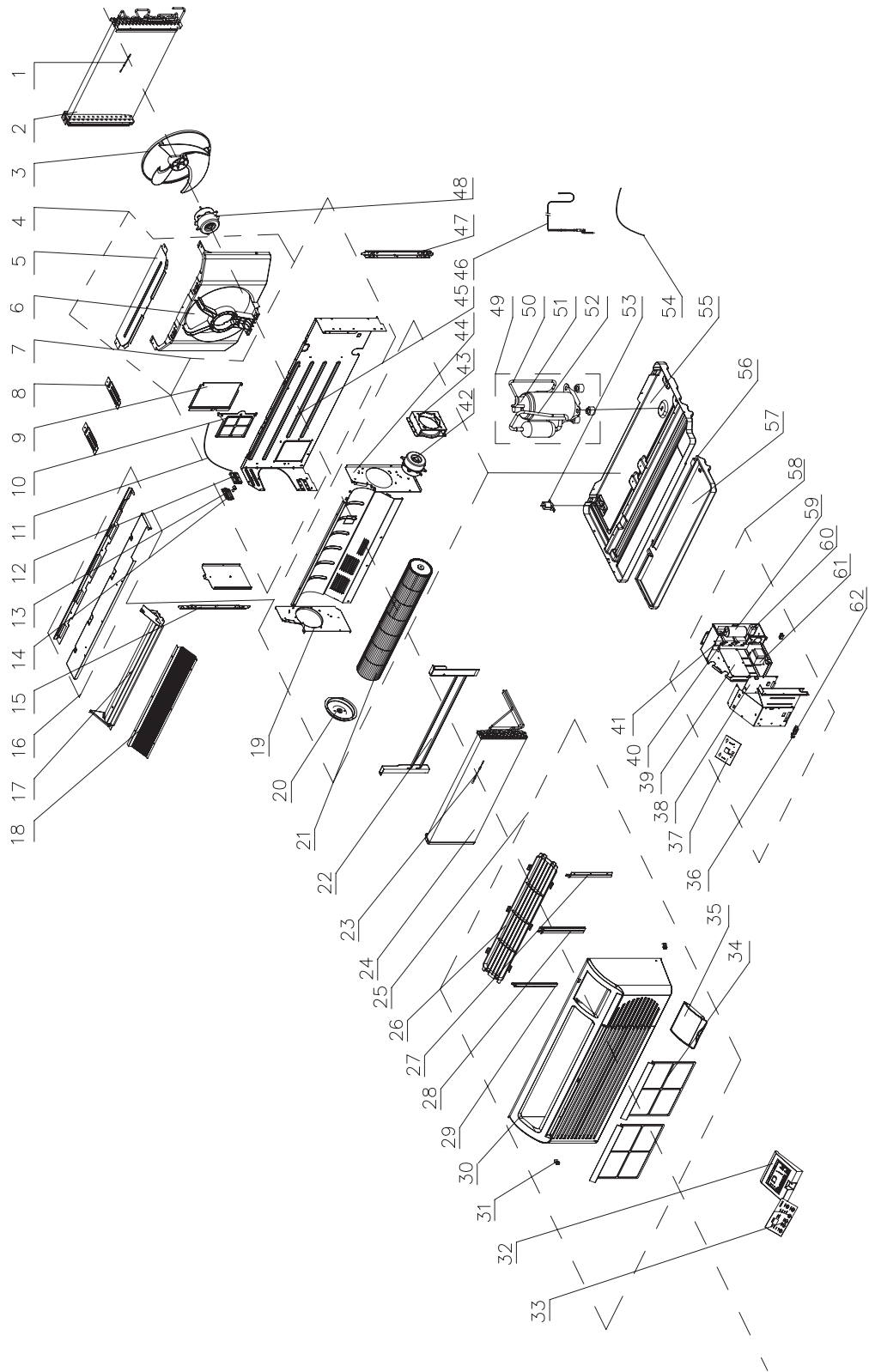


**12,000 BTU Heat/Cool 265 Volt 30 Amp  
Model Number: ETAC-12HC265V30A  
Gree Engineering Number: GAE12AB-P3RNB5B**

NO.	Part Code	Part Description	Qty
1	390002073	Outdoor Coil Temperature Sensor	1
2	01101348	Condenser Coil Assy	1
2	01101099	Condenser Coil Assy ( CP Model Only)	1
3	10331004	Outdoor Axial Flow Fan	1
4	10371215	Condenser Shroud	1
5	01251028P	Condenser Shroud Cover	1
6	10371213	Outdoor Fan Motor Bracket	1
7	01231154	Main Partition Wall Assy	1
8	01381004	Condenser Shroud Support Bracket	2
9	01441015	Vent Door Sub-Assy	1
10	11121213	Vent Air Filter Sub-Assy	1
11	02121014	Vent Door Cable	1
12	26231155	Lower Vent Lever Cover	1
13	26231153	Vent Hand Lever	1
14	26231154	Upper Vent Lever Cover	1
15	01701039	Wall Sleeve Mounting Bracket (Right)	1
16	01251013	Top Cover Plate Sub-Assy	1
17	02121028P	Discharge Air Deck Sub-Assy	1
18	01471017	Discharge Air Screen	1
19	02121024P	Side Panel (Left)	1
20	26151139	Blower Wheel Bearing Assy (Left)	1
21	10351002	Indoor Blower Wheel (Cross Flow)	1
22	320000202	Electric Heater 5KW 265V	1
23	3900012123	Indoor Ambient Temperature Sensor	1
24	0100128501	Evaporator Coil Assy	1
25	2000147503	Front Panel Assy	1
26	22411023	Discharge Air Grille	1
27	26111139	Indoor Air Filter Support (Right)	1
28	26111140	Indoor Air Filter Support (Center)	1
29	26111141	Indoor Air Filter Support (Left)	1
30	20001673	Front Panel	1
31	02111013	Front Panel Mounting Clip	2
32	20121097	Display Escutcheon	1
33	6306130902	Membrane Keypad	1
34	ETAC-AIRFIL-TER-2PK	Indoor Air Filter	2

NO.	Part Code	Part Description	Qty
35	20121070T	Control Door	1
36	42010037	EM Wiring Terminal Block (2 -pins)	1
37	30562050	Display Control Board	1
38	30132117	Main Control Board	1
39	30132082	Relay/Power Control Board 2	1
40	33010026	Capacitor CBB61 2.5uF 450V	1
41	33010020	Capacitor CBB61 1.5uF 450V	1
42	1501180205	Indoor Fan Motor	1
43	01701014P	Indoor Fan Motor Support Sub-Assy	1
44	02121023P	Side Panel (Right)	1
45	01231079P	Main Partition Wall	1
46	03006176	Capillary Sub-Assy	1
47	01701038	Wall Sleeve Mounting Bracket (Left)	1
48	150110342	Outdoor Fan Motor	1
49	00101054	Compressor	1
50	03611826	Discharge Tube	1
51	00180151	Compressor Overload Protector(External)	1
52	03621831	Suction Tube	1
53	07101001	Condensate Drain Valve	1
54	4002000501	Power Cord 265V 30A	1
55	0120102604P	Chassis Sub-Assy	1
56	12411904	Foam Condensate Pan	1
57	02121012	Electric Heater Insulation Plate	1
58	0140198217	Electric Control Box Assy	1
59	33000017	Capacitor CBB65 25uF 450V	1
60	42011103	Power Cord Terminal Block	2
61	43110269	Transformer	1
62	42010039S	Thermostat Wiring Terminal Block (7 pins)	1
Not Shown	01361014P	Baffle Plate	1
Not Shown	0122101807	Air Flue Assy	1
Not Shown	76711002	Compressor Grommet	3
Not Shown	00181091	Compressor Overload Protector(External)	1
Not Shown	390000596	Indoor Coil Temperature Sensor	1
Not Shown	30510092MX	Remote Control	1
Not Shown	22431329	IR Remote Receiver Assy	1

**15,000 BTU Heat/Cool 265 Volt 20 Amp  
Model Number: ETAC-15HC265V20A**



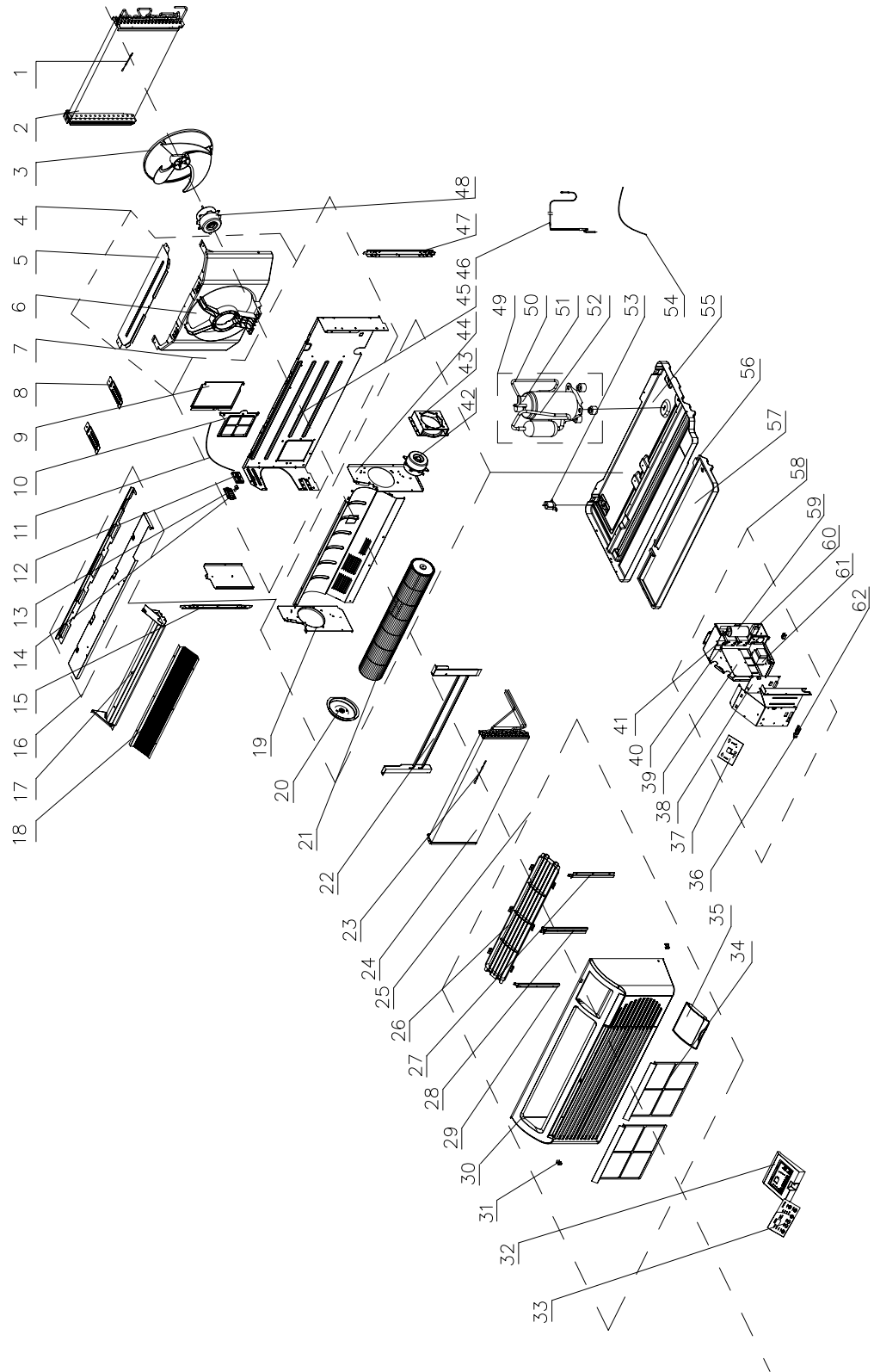


**15,000 BTU Heat/Cool 265 Volt 20 Amp  
Model Number: ETAC-15HC265V20A  
Gree Engineering Number: GAE15AB-P3RNB5A**

NO.	Part Code	Part Description	Qty
1	390002073	Outdoor Coil Temperature Sensor	1
2	01101191	Condenser Coil Assy	1
2	0110119102	Condenser Coil Assy ( CP Model Only)	1
3	10331004	Outdoor Axial Flow Fan	1
4	1037100901	Condenser Shroud	1
5	01251028P	Condenser Shroud Cover	1
6	10371213	Outdoor Fan Motor Bracket	1
7	01231154	Main Partition Wall Assy	1
8	01381004	Condenser Shroud Support Bracket	2
9	01441015	Vent Door Sub-Assy	1
10	11121213	Vent Air Filter Sub-Assy	1
11	02121014	Vent Door Cable	1
12	26231155	Lower Vent Lever Cover	1
13	26231153	Vent Hand Lever	1
14	26231154	Upper Vent Lever Cover	1
15	01701039	Wall Sleeve Mounting Bracket (Right)	1
16	01251013	Top Cover Plate Sub-Assy	1
17	02121028P	Discharge Air Deck Sub-Assy	1
18	01471017	Discharge Air Screen	1
19	02121024P	Side Panel (Left)	1
20	26151139	Blower Wheel Bearing Assy (Left)	1
21	10351002	Indoor Blower Wheel (Cross Flow)	1
22	320000203	Electric Heater 3KW 265V	1
23	3900012123	Indoor Ambient Temperature Sensor	1
24	0100128501	Evaporator Coil Assy	1
25	2000147503	Front Panel Assy	1
26	22411023	Discharge Air Grille	1
27	26111139	Indoor Air Filter Support (Right)	1
28	26111140	Indoor Air Filter Support (Center)	1
29	26111141	Indoor Air Filter Support (Left)	1
30	20001673	Front Panel	1
31	02111013	Front Panel Mounting Clip	2
32	2012110802	Display Escutcheon Sub-Assy	1
33	6306130902	Membrane Keypad	1
34	ETAC-AIRFIL-TER-2PK	Indoor Air Filter	2

NO.	Part Code	Part Description	Qty
35	20121070T	Control Door	1
36	42010037	EM Wiring Terminal Block (2 -pins)	1
37	30562050	Display Control Board	1
38	30132117	Main Control Board	1
39	30132080	Relay/Power Control Board 2	1
40	33010026	Capacitor CBB61 2.5uF 450V	1
41	33010020	Capacitor CBB61 1.5uF 450V	1
42	1501180205	Indoor Fan Motor	1
43	01701014P	Indoor Fan Motor Support Sub-Assy	1
44	02121023P	Side Panel (Right)	1
45	01231079P	Main Partition Wall	1
46	03001341	Capillary Sub-Assy	1
47	01701038	Wall Sleeve Mounting Bracket (Left)	1
48	150110342	Outdoor Fan Motor	1
49	00101091	Compressor and Fittings	1
50	03611432	Discharge Tube	1
51	00180144	Compressor Overload Protector(External)	1
52	03621354	Suction Tube	1
53	07101001	Condensate Drain Valve	1
54	40020005	Power Cord 265V 20A	1
55	01201026P	Base Pan Assy	1
56	12411904	Foam Condensate Pan	1
57	02121012	Electric Heater Insulation Plate	1
58	02601028	Electric Control Box Assy	1
59	33000081	Capacitor CBB65 25uF 450V	1
60	42011103	Power Cord Terminal Block	2
61	43110269	Transformer	1
62	42010039S	Thermostat Wiring Terminal Block (7 pins)	1
Not Shown	01361014P	Baffle Plate	1
Not Shown	0122101807	Air Flue Assy	1
Not Shown	76710216	Compressor Grommet	3
Not Shown	22431329	IR Remote Receiver Assy	1
Not Shown	390000596	Indoor Coil Temperature Sensor	1
Not Shown	30510092MX	Remote Control	1

**15,000 BTU Heat/Cool 265 Volt 30 Amp  
Model Number: ETAC-15HC265V30A**

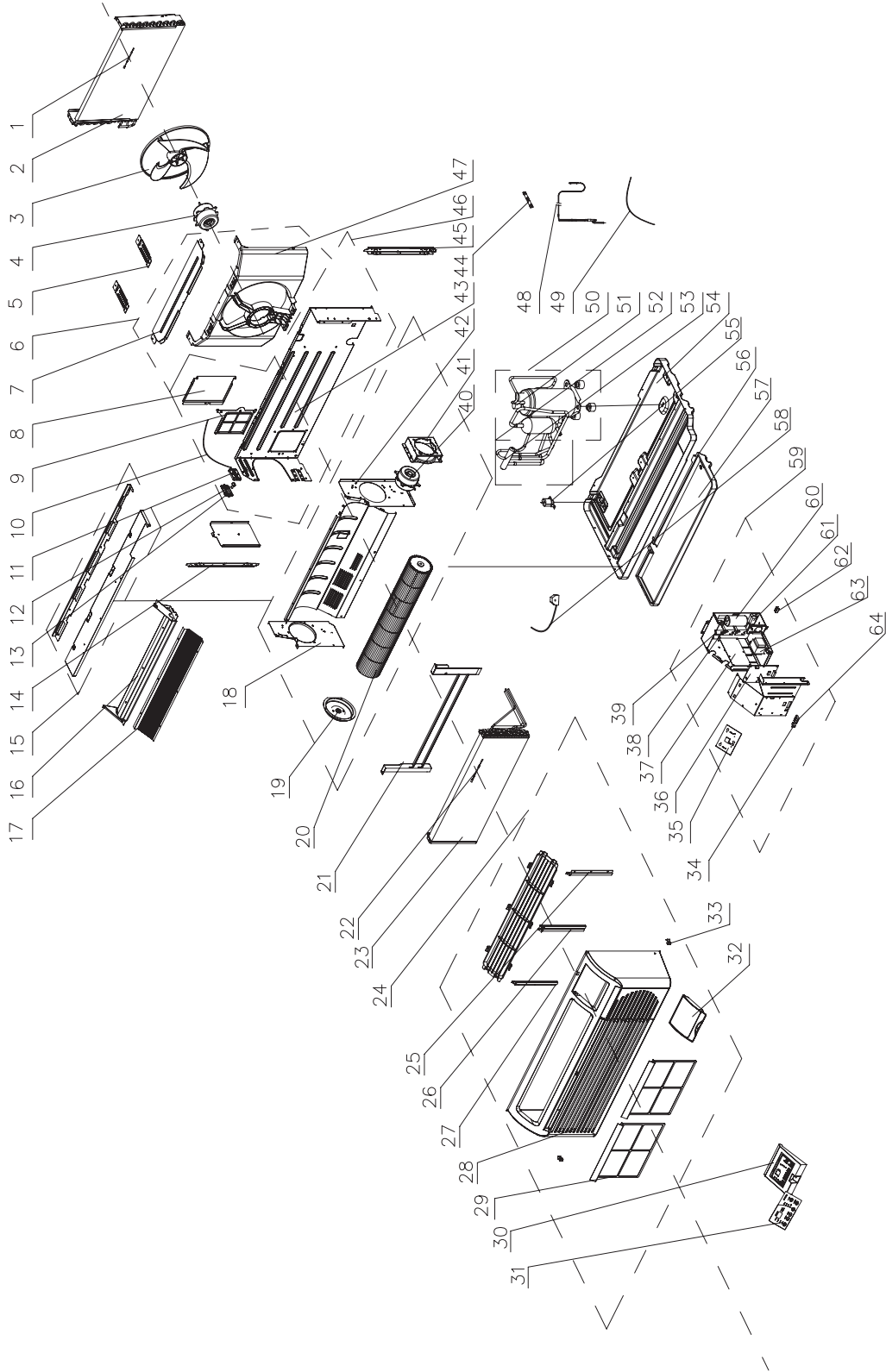


**15,000 BTU Heat/Cool 265 Volt 30 Amp  
Model Number: ETAC-15HC265V30A  
Gree Engineering Number: GAE15AB-P3RNB5B**

NO.	Part Code	Part Description	Qty
1	390002073	Outdoor Coil Temperature Sensor	1
2	01101191	Condenser Coil Assy	1
2	0110119102	Condenser Coil Assy ( CP Model Only)	1
3	10331004	Outdoor Axial Flow Fan	1
4	10371215	Condenser Shroud	1
5	01251028P	Condenser Shroud Cover	1
6	10371213	Outdoor Fan Motor Bracket	1
7	01231154	Main Partition Wall Assy	1
8	01381004	Condenser Shroud Support Bracket	2
9	01441015	Vent Door Sub-Assy	1
10	11121213	Vent Air Filter Sub-Assy	1
11	02121014	Vent Door Cable	1
12	26231155	Lower Vent Lever Cover	1
13	26231153	Vent Hand Lever	1
14	26231154	Upper Vent Lever Cover	1
15	01701039	Wall Sleeve Mounting Bracket (Right)	1
16	01251013	Top Cover Plate Sub-Assy	1
17	02121028P	Discharge Air Deck Sub-Assy	1
18	01471017	Discharge Air Screen	1
19	02121024P	Side Panel (Left)	1
20	26151139	Blower Wheel Bearing Assy (Left)	1
21	10351002	Indoor Blower Wheel (Cross Flow)	1
22	320000202	Electric Heater 5KW 265V	1
23	3900012123	Indoor Ambient Temperature Sensor	1
24	0100128501	Evaporator Coil Assy	1
25	2000147503	Front Panel Assy	1
26	22411023	Discharge Air Grille	1
27	26111139	Indoor Air Filter Support (Right)	1
28	26111140	Indoor Air Filter Support (Center)	1
29	26111141	Indoor Air Filter Support (Left)	1
30	20001673	Front Panel	1
31	02111013	Front Panel Mounting Clip	2
32	20121097	Display Escutcheon	1
33	6306130902	Membrane Keypad	1
34	ETAC-AIRFIL-TER-2PK	Indoor Air Filter	2

NO.	Part Code	Part Description	Qty
35	20121070T	Control Door	1
36	42010037	EM Wiring Terminal Block (2 -pins)	1
37	30562050	Display Control Board	1
38	30132117	Main Control Board	1
39	30132082	Relay/Power Control Board 2	1
40	33010026	Capacitor CBB61 2.5uF 450V	1
41	33010020	Capacitor CBB61 1.5uF 450V	1
42	1501180205	Indoor Fan Motor	1
43	01701014P	Indoor Fan Motor Support Sub-Assy	1
44	02121023P	Side Panel (Right)	1
45	01231079P	Main Partition Wall	1
46	03001341	Capillary Sub-Assy	1
47	01701038	Wall Sleeve Mounting Bracket (Left)	1
48	150110342	Outdoor Fan Motor	1
49	00101091	Compressor and Fittings	1
50	03611432	Discharge Tube	1
51	00180144	Compressor Overload Protector(External)	1
52	03621354	Suction Tube	1
53	07101001	Condensate Drain Valve	1
54	4002000501	Power Cord 265V 30A	1
55	01201026P	Base Pan Assy	1
56	12411904	Foam Condensate Pan	1
57	02121012	Electric Heater Insulation Plate	1
58	0140198219	Electric Control Box Assy	1
59	33000017	Capacitor CBB65 25uF 450V	1
60	42011103	Power Cord Terminal Block	2
61	43110269	Transformer	1
62	42010039S	Thermostat Wiring Terminal Block (7 pins)	1
Not Shown	76710216	Compressor Grommet	3
Not Shown	01361014P	Baffle Plate	1
Not Shown	0122101807	Air Flue Assy	1
Not Shown	390000596	Indoor Coil Temperature Sensor	1
Not Shown	30510092MX	Remote Control	1
Not Shown	22431329	IR Remote Receiver Assy	1

**7,000 BTU Heat Pump 208/230 Volt 15 Amp**  
**Model Number: ETAC-07HP230V15A**

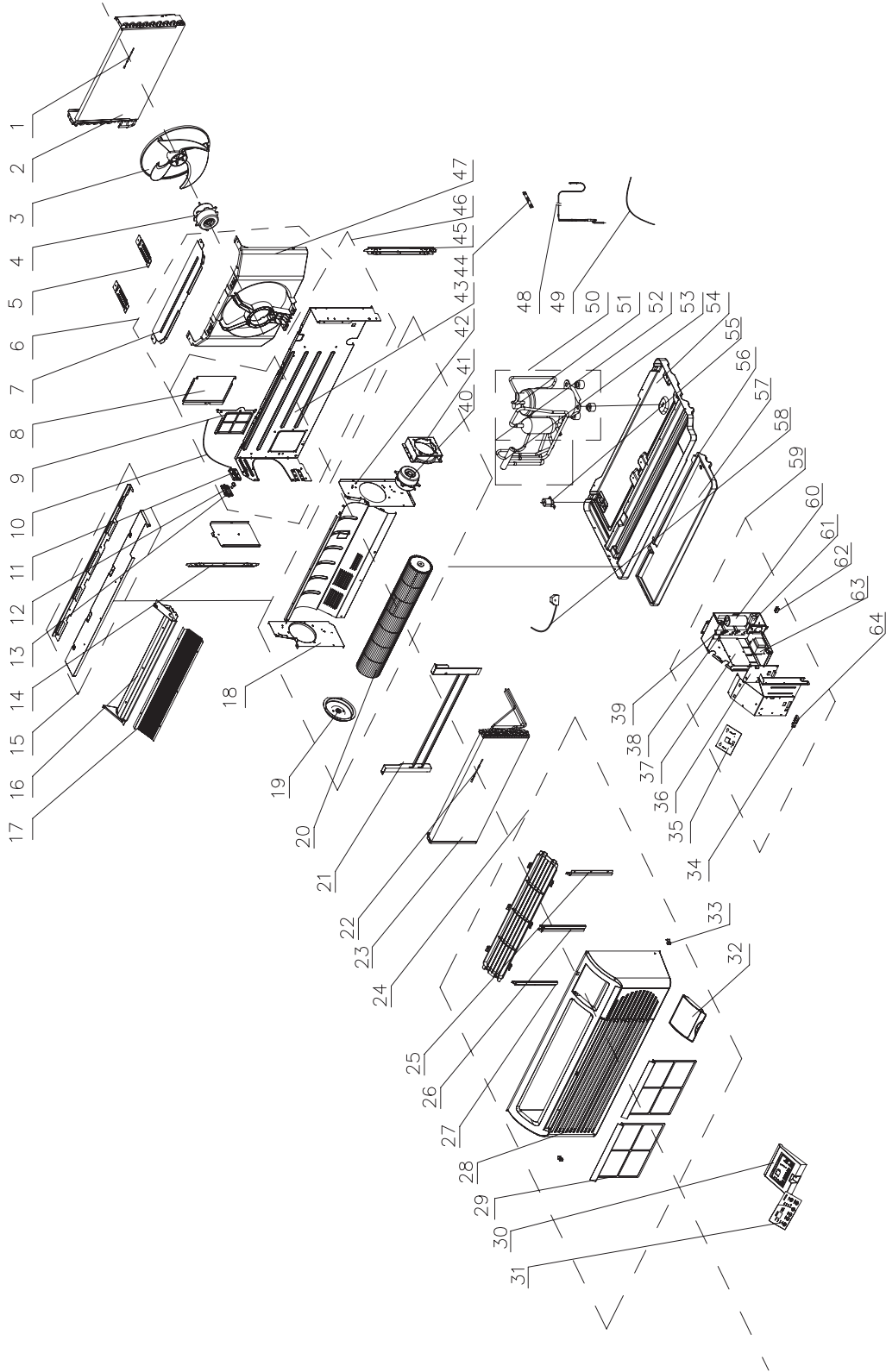


**7,000 BTU Heat Pump 208/230 Volt 15 Amp  
Model Number: ETAC-07HP230V15A  
Gree Engineering Number: GAA07AB-D3RNB5C**

NO.	Part Code	Part Description	Qty
1	390002073	Outdoor Coil Temperature Sensor	1
2	01101097	Condenser Coil Assy	1
2	01101105	Condenser Coil Assy ( CP Model Only)	1
3	10331004	Outdoor Axial Flow Fan	1
4	1501180303	Outdoor Fan Motor	1
5	01381004	Condenser Shroud Support Bracket	2
6	1037100912	Condenser Shroud	1
7	01251028P	Condenser Shroud Cover	1
8	01441015	Vent Door Sub-Assy	1
9	11121213	Vent Air Filter Sub-Assy	1
10	02121014	Vent Door Cable	1
11	26231155	Lower Vent Lever Cover	1
12	26231153	Vent Hand Lever	1
13	26231154	Upper Vent Lever Cover	1
14	01701038	Wall Sleeve Mounting Bracket (Left)	1
15	01251013	Top Cover Plate Sub-Assy	1
16	02121028P	Discharge Air Deck Sub-Assy	1
17	01471017	Discharge Air Screen	1
18	02121024P	Side Panel (Left)	1
19	26151139	Blower Wheel Bearing Assy (Left)	1
20	10351002	Indoor Blower Wheel (Cross Flow)	1
21	320000204	Electric Heater 2KW 230V	1
22	3900012123	Indoor Ambient Temperature Sensor	1
23	0100106601	Evaporator Coil Assy	1
24	2000147503	Front Panel Assy	1
25	26111139	Indoor Air Filter Support (Right)	1
26	26111140	Indoor Air Filter Support (Center)	1
27	26111141	Indoor Air Filter Support (Left)	1
28	20001673	Front Panel	1
29	ETAC-AIRFIL-TER-2PK	Indoor Air Filter	2
30	2012110802	Display Escutcheon Sub-Assy	1
31	6306130902	Membrane Keypad	1
32	20121070T	Control Door	1
33	02111013	Front Panel Mounting Clip	2
34	42010037	EM Wiring Terminal Block (2 -pins)	1
35	30562050	Display Control Board	1

NO.	Part Code	Part Description	Qty
36	30132043	Relay/Power Control Board 2	1
37	30132118	Main Control Board	1
38	33000064	Capacitor 1.2 uF 500V	1
39	33010025	Capacitor CBB61 2 uF 450V	1
40	15011802	Indoor Fan Motor	1
41	01701014P	Indoor Fan Motor Support Sub-Assy	1
42	02121023P	Side Panel (Right)	1
43	01231079P	Main Partition Wall	1
44	07133001	One Way Check Valve	1
45	01701039	Wall Sleeve Mounting Bracket (Right)	1
46	01231154	Main Partition Wall Assy	1
47	10371213	Outdoor Fan Motor Bracket	1
48	03001765	Capillary Sub-Assy	1
49	400203631	Power Cord (LCDI) 208/230V 15A	1
50	00101061	Compressor and Fittings	1
51	00180303	Compressor Overload Protector (External)	1
52	03021222	4-Way Valve Assy	1
53	430004022	4-Way Valve	1
54	0120102601P	Base Pan Assy	1
55	07101001	Condensate Drain Valve	1
56	12411904	Foam Condensate Pan	1
57	02121012	Electric Heater Insulation Plate	1
58	4300040022	Solenoid Coil	1
59	0140198921	Electric Control Box Assy	1
60	33010045	Capacitor CBB65 15uF 450V	1
61	42011103	Power Cord Terminal Block	1
62	49010252	Heat Sink/Radiator	1
63	43110270	Transformer	1
64	42010039S	Thermostat Wiring Terminal Block (7 pins)	1
Not Shown	76710223	Compressor Grommet	3
Not Shown	390000596	Indoor Coil Temperature Sensor	1
Not Shown	0122101801	Air Flue Assy	1
Not Shown	22411023	Discharge Air Grille	1
Not Shown	01361014P	Baffle Plate	1
Not Shown	30510092MX	Remote Control	1
Not Shown	22431329	IR Remote Receiver Assy	1

**7,000 BTU Heat Pump 208/230 Volt 15 Amp**  
**Model Number: ETAC-07HP230V15B**

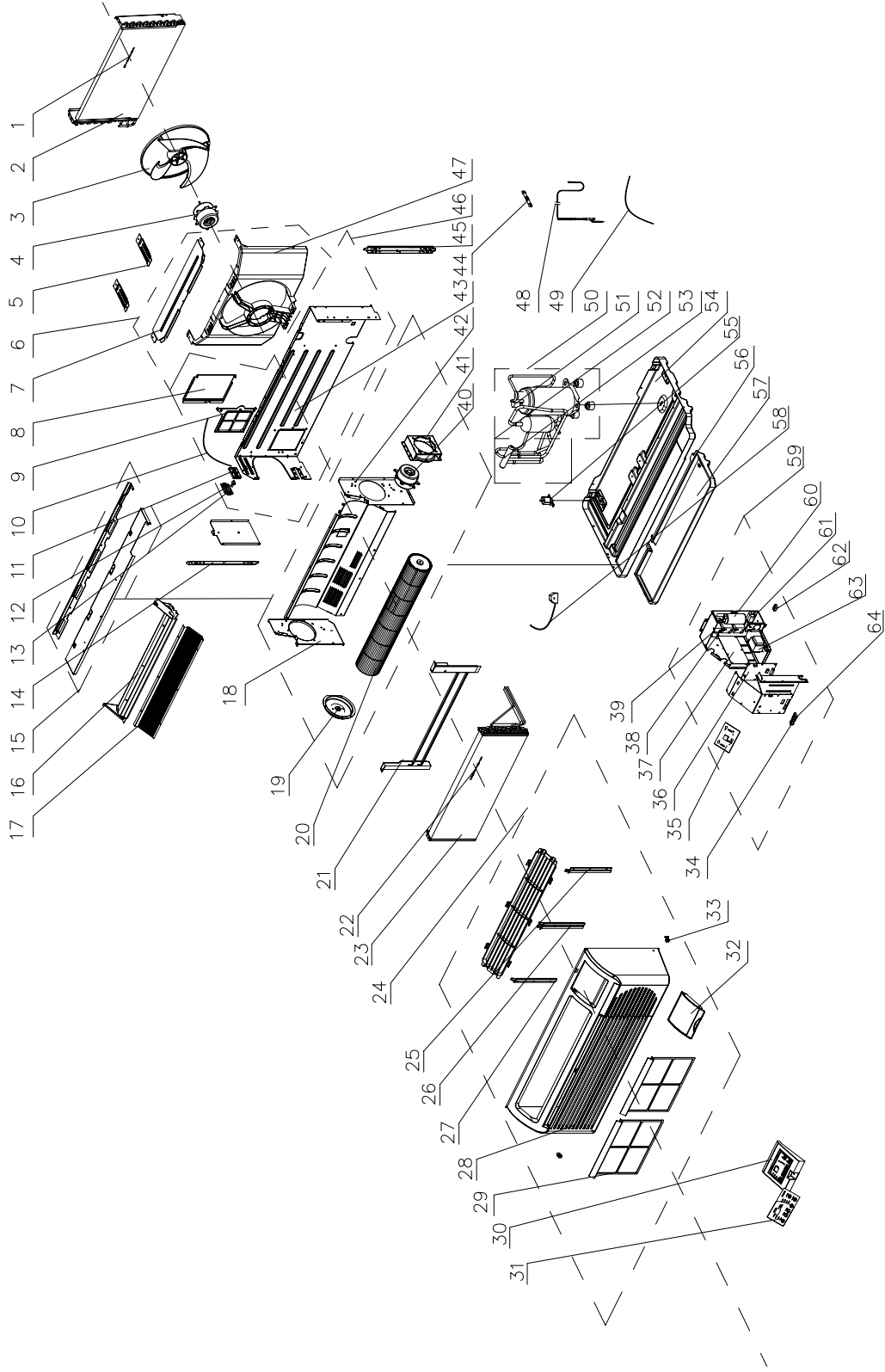


**7,000 BTU Heat Pump 208/230 Volt 15 Amp  
Model Number: ETAC-07HP230V15B  
Gree Engineering Number: GAA07AB-D3RNB5F**

NO.	Part Code	Part Description	Qty
1	390002073	Outdoor Coil Temperature Sensor	1
2	01101272	Condenser Coil Assy	1
2	01101093	Condenser Coil Assy ( CP Model Only)	1
3	10331004	Outdoor Axial Flow Fan	1
4	1501180303	Outdoor Fan Motor	1
5	01381004	Condenser Shroud Support Bracket	2
6	1037100912	Condenser Shroud	1
7	01251028P	Condenser Shroud Cover	1
8	01441015	Vent Door Sub-Assy	1
9	11121213	Vent Air Filter Sub-Assy	1
10	02121014	Vent Door Cable	1
11	26231155	Lower Vent Lever Cover	1
12	26231153	Vent Hand Lever	1
13	26231154	Upper Vent Lever Cover	1
14	01701038	Wall Sleeve Mounting Bracket (Left)	1
15	01251013	Top Cover Plate Sub-Assy	1
16	02121028P	Discharge Air Deck Sub-Assy	1
17	01471017	Discharge Air Screen	1
18	02121024P	Side Panel (Left)	1
19	26151139	Blower Wheel Bearing Assy (Left)	1
20	10351002	Indoor Blower Wheel (Cross Flow)	1
21	320000204	Electric Heater 2KW 230V	1
22	3900012123	Indoor Ambient Temperature Sensor	1
23	0100106601	Evaporator Coil Assy	1
24	2000147503	Front Panel Assy	1
25	26111139	Indoor Air Filter Support (Right)	1
26	26111140	Indoor Air Filter Support (Center)	1
27	26111141	Indoor Air Filter Support (Left)	1
28	20001673	Front Panel	1
29	ETAC-AIRFIL-TER-2PK	Indoor Air Filter	2
30	20121097	Display Escutcheon	1
31	6306130902	Membrane Keypad	1
32	20121070T	Control Door	1
33	02111013	Front Panel Mounting Clip	2
34	42010037	EM Wiring Terminal Block (2 -pins)	1

NO.	Part Code	Part Description	Qty
35	30562050	Display Control Board	1
36	30132043	Relay/Power Control Board 2	1
37	30132118	Main Control Board	1
38	3301074702	Capacitor CBB61S 2uF 450V	1
39	33010089	Capacitor CBB61 1uF 500V	1
40	1501180202	Indoor Fan Motor	1
41	01701014P	Indoor Fan Motor Support Sub-Assy	1
42	02121023P	Side Panel (Right)	1
43	01231079P	Main Partition Wall	1
44	07130134	One Way Check Valve	1
45	01701039	Wall Sleeve Mounting Bracket (Right)	1
46	01231154	Main Partition Wall Assy	1
47	10371213	Outdoor Fan Motor Bracket	1
48	03001537	Capillary Sub-Assy	1
49	400203631	Power Cord (LCDI) 208/230V 15A	1
50	00101331	Compressor and Fittings	1
51	00181145	Compressor Overload Protector(External)	1
52	03021193	4-Way Valve Assy	1
53	430004022	4-Way Valve	1
54	0120102607P	Chassis Sub-Assy	1
55	07101001	Condensate Drain Valve	1
56	12411904	Foam Condensate Pan	1
57	02121012	Electric Heater Insulation Plate	1
58	4300040022	Solenoid Coil	1
59	0140198935	Electric Control Box Assy	1
60	33010045	Capacitor CBB65 15uF/450V	1
61	42011103	Power Cord Terminal Block	1
62	49010252	Heat Sink/Radiator	1
63	43110270	Transformer	1
64	42010039S	Thermostat Wiring Terminal Block (7 pins)	1
Not Shown	30510092MX	Remote Control	1
Not Shown	22431329	IR Remote Receiver Assy	1
Not Shown	22411023	Discharge Air Grille	1
Not Shown	390000596	Indoor Coil Temperature Sensor	1
Not Shown	76710287	Compressor Grommet	3

**7,000 BTU Heat Pump 208/230 Volt 20 Amp**  
**Model Number: ETAC-07HP230V20A**



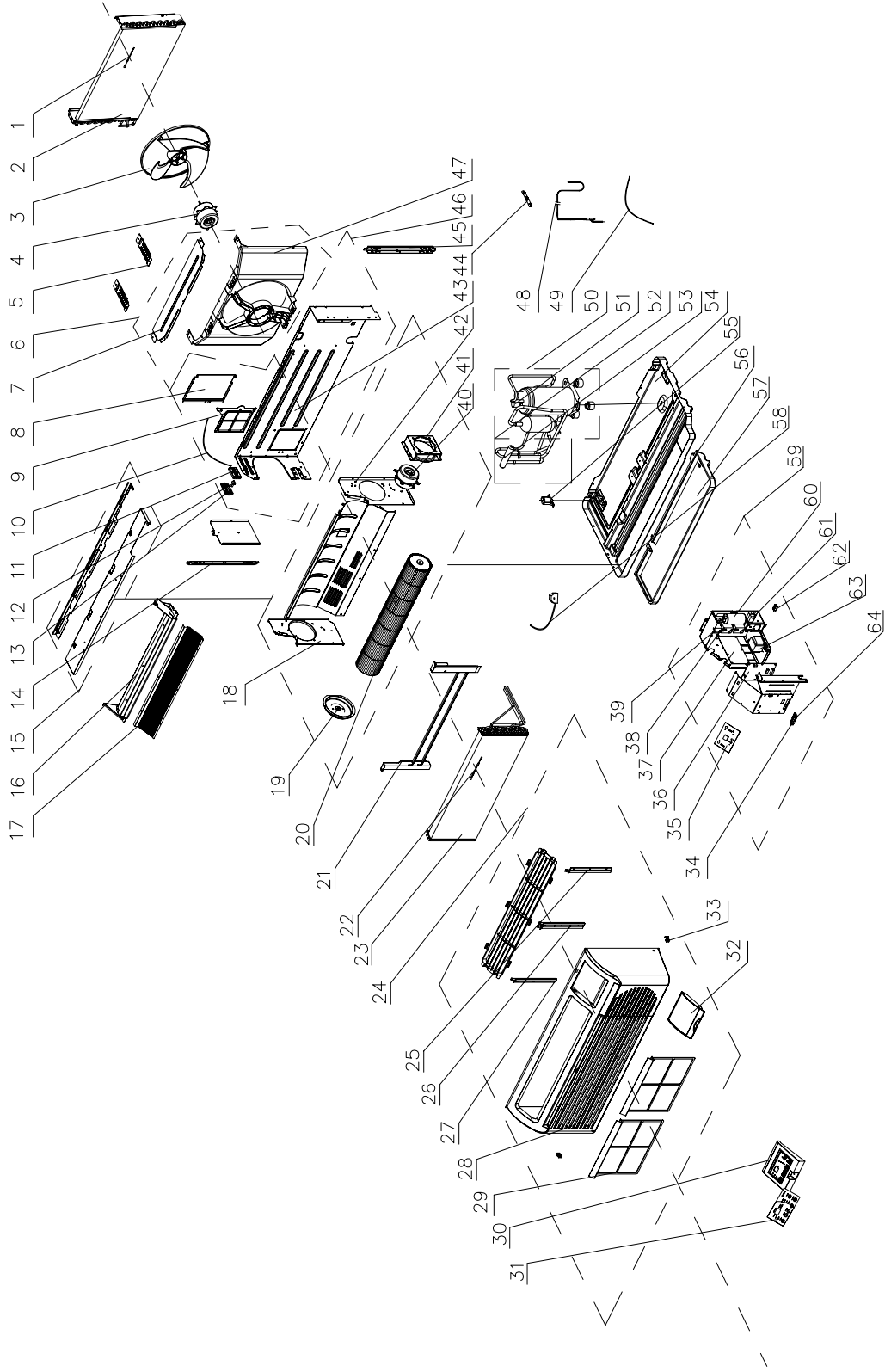


**7,000 BTU Heat Pump 208/230 Volt 20 Amp  
Model Number: ETAC-07HP230V20A  
Gree Engineering Number: GAA07AB-D3RNB5A**

NO.	Part Code	Part Description	Qty
1	390002073	Outdoor Coil Temperature Sensor	1
2	01101097	Condenser Coil Assy	1
2	01101105	Condenser Coil Assy ( CP Model Only)	1
3	10331004	Outdoor Axial Flow Fan	1
4	150110343	Outdoor Fan Motor	1
5	01381004	Condenser Shroud Support Bracket	2
6	1037100902	Condenser Shroud	1
7	01251028P	Condenser Shroud Cover	1
8	01441015	Vent Door Sub-Assy	1
9	11121213	Vent Air Filter Sub-Assy	1
10	02121014	Vent Door Cable	1
11	26231155	Lower Vent Lever Cover	1
12	26231153	Vent Hand Lever	1
13	26231154	Upper Vent Lever Cover	1
14	01701038	Wall Sleeve Mounting Bracket (Left)	1
15	01251013	Top Cover Plate Sub-Assy	1
16	02121028P	Discharge Air Deck Sub-Assy	1
17	01471017	Discharge Air Screen	1
18	02121024P	Side Panel (Left)	1
19	26151139	Blower Wheel Bearing Assy (Left)	1
20	10351002	Indoor Blower Wheel (Cross Flow)	1
21	320000201	Electric Heater 3KW 230V	1
22	3900012123	Indoor Ambient Temperature Sensor	1
23	0100106601	Evaporator Coil Assy	1
24	2000147503	Front Panel Assy	1
25	26111139	Indoor Air Filter Support (Right)	1
26	26111140	Indoor Air Filter Support (Center)	1
27	26111141	Indoor Air Filter Support (Left)	1
28	20001673	Front Panel	1
29	ETAC-AIRFIL-TER-2PK	Indoor Air Filter	2
30	2012110802	Display Escutcheon Sub-Assy	1
31	6306130902	Membrane Keypad	1
32	20121070T	Control Door	1
33	02111013	Front Panel Mounting Clip	2
34	42010037	EM Wiring Terminal Block (2 -pins)	1

NO.	Part Code	Part Description	Qty
35	30562050	Display Control Board	1
36	30132043	Relay/Power Control Board 2	1
37	30132118	Main Control Board	1
38	33000064	Capacitor CBB61 1.2uF 500V	1
39	33010025	Capacitor CBB61 2uF 500V	1
40	15011802	Indoor Fan Motor	1
41	01701014P	Indoor Fan Motor Support Sub-Assy	1
42	02121023P	Side Panel (Right)	1
43	01231079P	Main Partition Wall	1
44	07133001	One Way Check Valve	1
45	01701039	Wall Sleeve Mounting Bracket (Right)	1
46	01231154	Main Partition Wall Assy	1
47	10371213	Outdoor Fan Motor Bracket	1
48	03001765	Capillary Sub-Assy	1
49	400203632	Power Cord (LCDI) 208/230V 20A	1
50	00101061	Compressor and Fittings	1
51	00180303	Compressor Overload Protector (External)	1
52	03021222	4-Way Valve Assy	1
53	430004022	4-Way Valve	1
54	0120102601P	Base Pan Assy	1
55	07101001	Condensate Drain Valve	1
56	12411904	Foam Condensate Pan	1
57	02121012	Electric Heater Insulation Plate	1
58	4300040022	Solenoid Coil	1
59	0140198912	Electric Control Box Assy	1
60	33010045	Capacitor CBB65 15uF 450V	1
61	42011103	Power Cord Terminal Block	2
62	49010252	Heat Sink/Radiator	1
63	43110270	Transformer	1
64	42010039S	Thermostat Wiring Terminal Block (7 pins)	1
Not Shown	390000596	Indoor Coil Temperature Sensor	1
Not Shown	30510092MX	Remote Control	1
Not Shown	22431329	IR Remote Receiver Assy	1
Not Shown	22411023	Discharge Air Grille	1
Not Shown	76710223	Compressor Grommet	3

**7,000 BTU Heat Pump 208/230 Volt 20 Amp**  
**Model Number: ETAC--07HP230V20B**

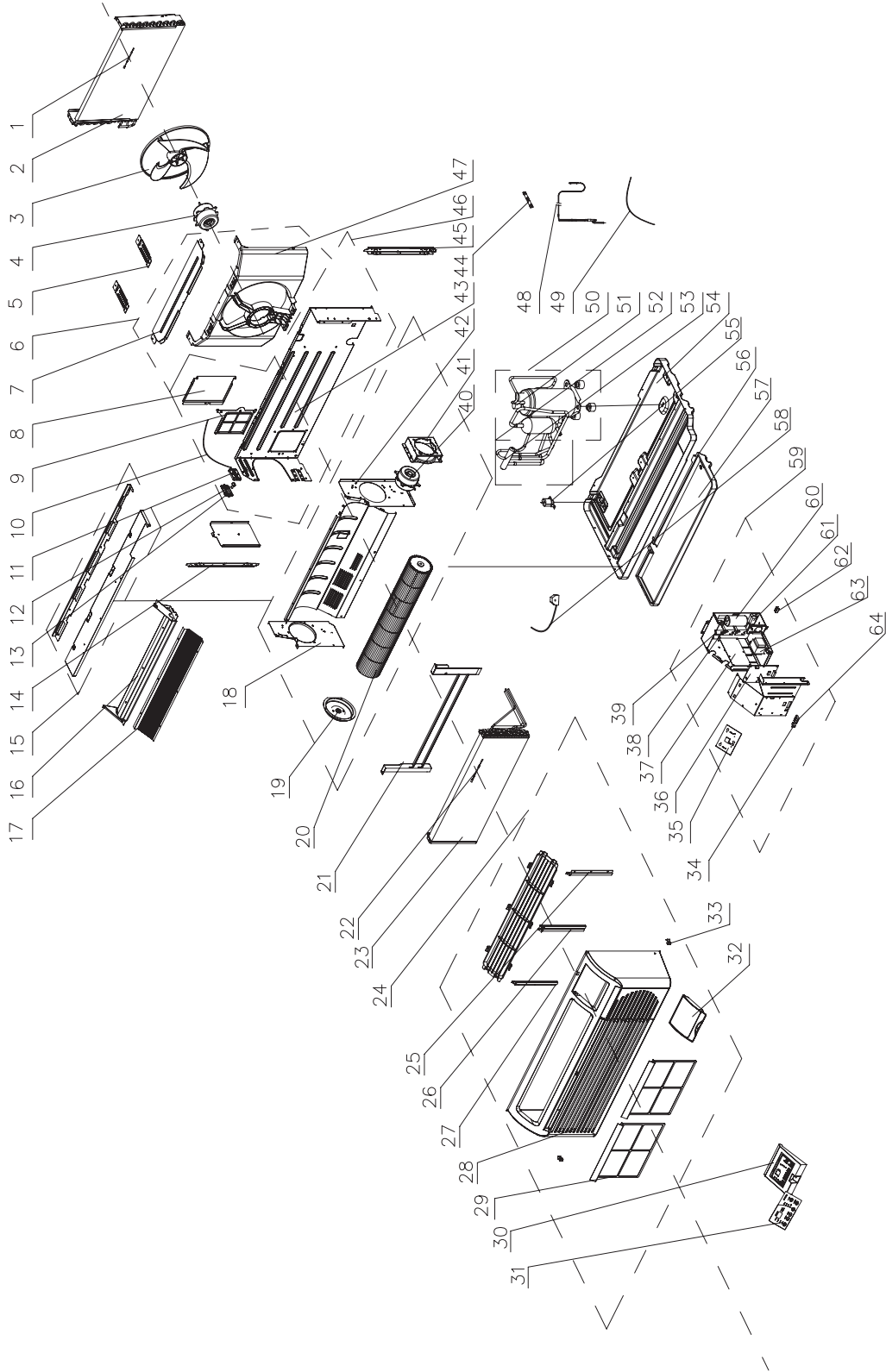


**7,000 BTU Heat Pump 208/230 Volt 20 Amp  
Model Number: ETAC--07HP230V20B  
Gree Engineering Number: GAA07AB-D3RNB5D**

NO.	Part Code	Part Description	Qty
1	390002073	Outdoor Coil Temperature Sensor	1
2	01101272	Condenser Coil Assy	1
2	01101093	Condenser Coil Assy ( CP Model Only)	1
3	10331004	Outdoor Axial Flow Fan	1
4	1501180303	Outdoor Fan Motor	1
5	01381004	Condenser Shroud Support Bracket	2
6	1037100912	Condenser Shroud	1
7	01251028P	Condenser Shroud Cover	1
8	01441015	Vent Door Sub-Assy	1
9	11121213	Vent Air Filter Sub-Assy	1
10	02121014	Vent Door Cable	1
11	26231155	Lower Vent Lever Cover	1
12	26231153	Vent Hand Lever	1
13	26231154	Upper Vent Lever Cover	1
14	01701038	Wall Sleeve Mounting Bracket (Left)	1
15	01251013	Top Cover Plate Sub-Assy	1
16	02121028P	Discharge Air Deck Sub-Assy	1
17	01471017	Discharge Air Screen	1
18	02121024P	Side Panel (Left)	1
19	26151139	Blower Wheel Bearing Assy (Left)	1
20	10351002	Indoor Blower Wheel (Cross Flow)	1
21	320000201	Electric Heater 3KW 230v	1
22	3900012123	Indoor Ambient Temperature Sensor	1
23	0100106601	Evaporator Coil Assy	1
24	2000147503	Front Panel Assy	1
25	26111139	Indoor Air Filter Support (Right)	1
26	26111140	Indoor Air Filter Support (Center)	1
27	26111141	Indoor Air Filter Support (Left)	1
28	20001673	Front Panel	1
29	ETAC-AIRFIL-TER-2PK	Indoor Air Filter	2
30	20121097	Display Escutcheon	1
31	6306130902	Membrane Keypad	1
32	20121070T	Control Door	1
33	02111013	Front Panel Mounting Clip	2
34	42010037	EM Wiring Terminal Block (2 -pins)	1

NO.	Part Code	Part Description	Qty
35	30562050	Display Control Board	1
36	30132043	Relay/Power Control Board 2	1
37	30132118	Main Control Board	1
38	3301074702	Capacitor CBB61S 2uF 450v	1
39	33010089	Capacitor CBB61 1uF 500v	1
40	1501180202	Indoor Fan Motor	1
41	01701014P	Indoor Fan Motor Support Sub-Assy	1
42	02121023P	Side Panel (Right)	1
43	01231079P	Main Partition Wall	1
44	07130134	One Way Check Valve	1
45	01701039	Wall Sleeve Mounting Bracket (Right)	1
46	01231154	Main Partition Wall Assy	1
47	10371213	Outdoor Fan Motor Bracket	1
48	03001537	Capillary Sub-Assy	1
49	400203632	Power Cord (LCDI) 208/230V 20A	1
50	00101331	Compressor and Fittings	1
51	00181145	Compressor Overload Protector(External)	1
52	03021193	4-Way Valve Assy	1
53	430004022	4-Way Valve	1
54	0120102607P	Chassis Sub-Assy	1
55	07101001	Condensate Drain Valve	1
56	12411904	Foam Condensate Pan	1
57	02121012	Electric Heater Insulation Plate	1
58	4300040022	Solenoid Coil	1
59	0140198934	Electric Control Box Assy	1
60	33010045	Capacitor CBB65 15uF 450V	1
61	42011103	Power Cord Terminal Block	1
62	49010252	Heat Sink/Radiator	1
63	43110270	Transformer	1
64	42010039S	Thermostat Wiring Terminal Block (7 pins)	1
Not Shown	30510092MX	Remote Control	1
Not Shown	22431329	IR Remote Receiver Assy	1
Not Shown	22411023	Discharge Air Grille	1
Not Shown	390000596	Indoor Coil Temperature Sensor	1
Not Shown	76710287	Compressor Grommet	3

**9,000 BTU Heat Pump 208/230 Volt 15 Amp**  
**Model Number: ETAC-09HP230V15A**

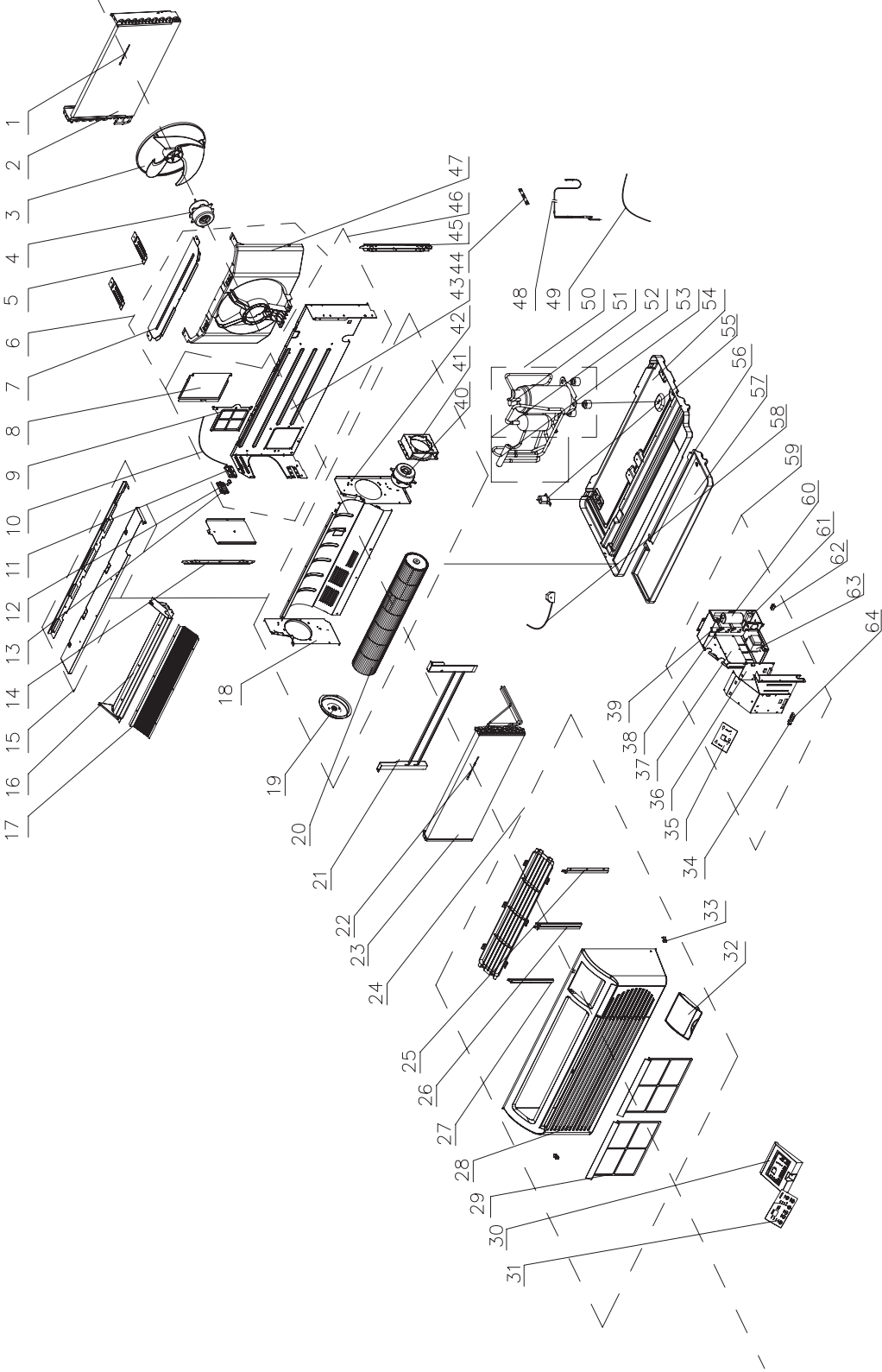


**9,000 BTU Heat Pump 208/230 Volt 15 Amp  
Model Number: ETAC-09HP230V15A  
Gree Engineering Number: GAA09AB-D3RNB5C**

NO.	Part Code	Part Description	Qty
1	390002073	Outdoor Coil Temperature Sensor	1
2	01101348	Condenser Coil Assy	1
2	01101099	Condenser Coil Assy ( CP Model Only)	1
3	10331004	Outdoor Axial Flow Fan	1
4	1501180303	Outdoor Fan Motor	1
5	01381004	Condenser Shroud Support Bracket	2
6	1037100912	Condenser Shroud	1
7	01251028P	Condenser Shroud Cover	1
8	01441015	Vent Door Sub-Assy	1
9	11121213	Vent Air Filter Sub-Assy	1
10	02121014	Vent Door Cable	1
11	26231155	Lower Vent Lever Cover	1
12	26231153	Vent Hand Lever	1
13	26231154	Upper Vent Lever Cover	1
14	01701038	Wall Sleeve Mounting Bracket (Left)	1
15	01251013	Top Cover Plate Sub-Assy	1
16	02121028P	Discharge Air Deck Sub-Assy	1
17	01471017	Discharge Air Screen	1
18	02121024P	Side Panel (Left)	1
19	26151139	Blower Wheel Bearing Assy (Left)	1
20	10351002	Indoor Blower Wheel (Cross Flow)	1
21	320000204	Electric Heater 2KW 230V	1
22	3900012123	Indoor Ambient Temperature Sensor	1
23	0100128401	Evaporator Coil Assy	1
24	2000147503	Front Panel Assy	1
25	26111139	Indoor Air Filter Support (Right)	1
26	26111140	Indoor Air Filter Support (Center)	1
27	26111141	Indoor Air Filter Support (Left)	1
28	20001673	Front Panel	1
29	ETAC-AIRFIL-TER-2PK	Indoor Air Filter	2
30	2012110802	Display Escutcheon Sub-Assy	1
31	6306130902	Membrane Keypad	1
32	20121070T	Control Door	1
33	02111013	Front Panel Mounting Clip	2
34	42010037	EM Wiring Terminal Block (2 -pins)	1
35	30562050	Display Control Board	1

NO.	Part Code	Part Description	Qty
36	30132043	Relay/Power Control Board 2	1
37	30132118	Main Control Board	1
38	33010089	Capacitor CBB61 1uF 500V	1
39	33010025	Capacitor CBB61 2uF 450V	1
40	15011802	Indoor Fan Motor	1
41	01701014P	Indoor Fan Motor Support Sub-Assy	1
42	02121023P	Side Panel (Right)	1
43	01231079P	Main Partition Wall	1
44	07133001	One Way Check Valve	1
45	01701039	Wall Sleeve Mounting Bracket (Right)	1
46	01231154	Main Partition Wall Assy	1
47	10371213	Outdoor Fan Motor Bracket	1
48	03001767	Capillary Sub-Assy	1
49	400203631	Power Cord (LCDI) 208/230V 15A	1
50	00101049	Compressor	1
51	built in	Overload Protector	1
52	03021221	4-Way Valve Assy	1
53	430004022	4-Way Valve	1
54	0120102603P	Chassis Sub-Assy	1
55	07101001	Condensate Drain Valve	1
56	12411904	Foam Condensate Pan	1
57	02121012	Electric Heater Insulation Plate	1
58	4300040022	Solenoid Coil	1
59	0140198923	Electric Control Box Assy	1
60	33000017	Capacitor CBB65 25uF 450V	1
61	42011103	Power Cord Terminal Block	1
62	49010252	Heat Sink/Radiator	1
63	43110270	Transformer	1
64	42010039S	Thermostat Wiring Terminal Block (7 pins)	1
Not Shown	76710290	Compressor Grommet	3
Not Shown	0122101801	Air Flue Assy	1
Not Shown	01361014P	Baffle Plate	1
Not Shown	22411023	Discharge Air Grille	1
Not Shown	390000596	Indoor Coil Temperature Sensor	1
Not Shown	30510092MX	Remote Control	1
Not Shown	22431329	IR Remote Receiver Assy	1

**9,000 BTU Heat Pump 208/230 Volt 15 Amp**  
**Model Number: ETAC-09HP230V15B**

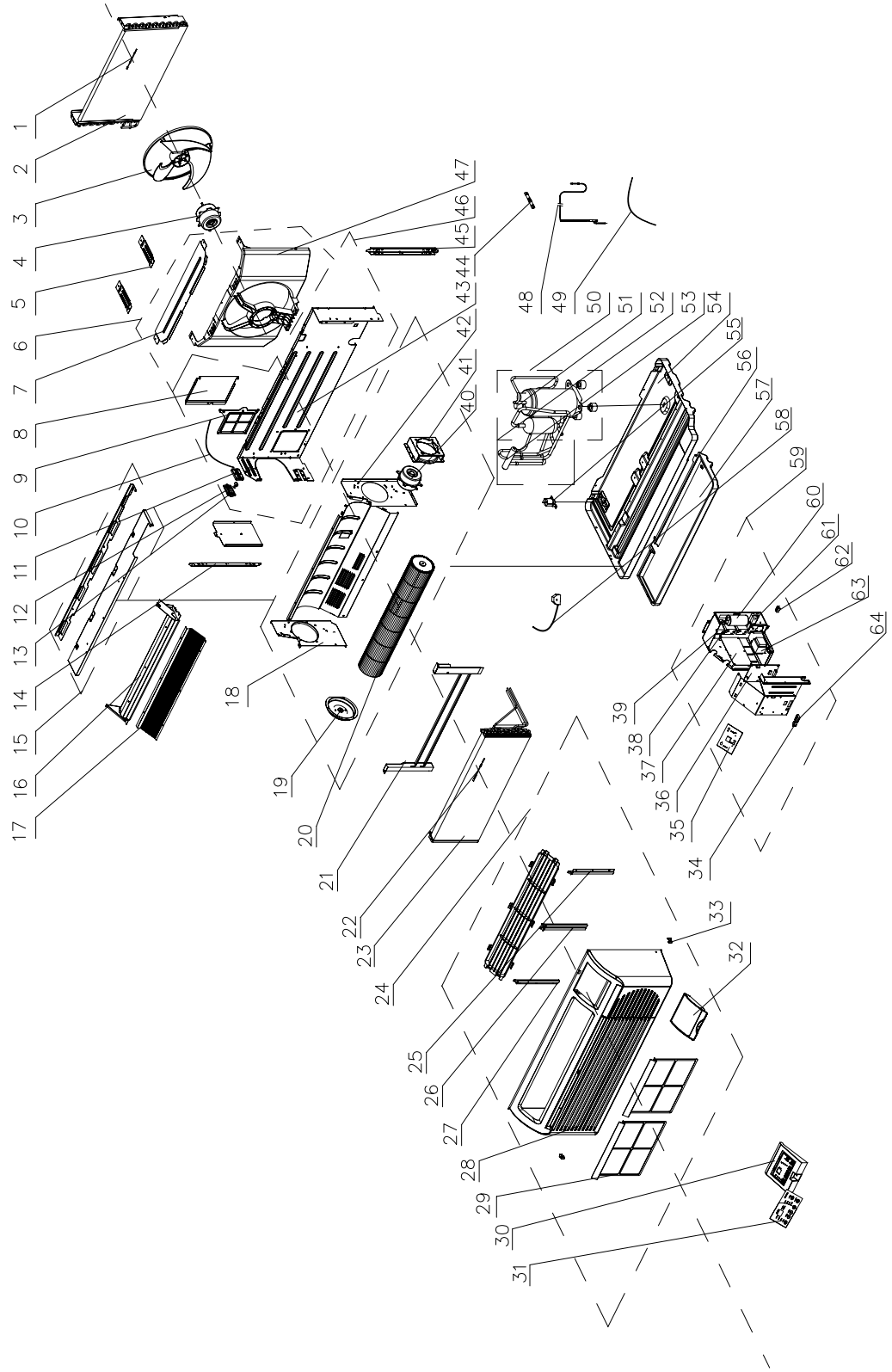


**9,000 BTU Heat Pump 208/230 Volt 15 Amp  
Model Number: ETAC-09HP230V15B  
Gree Engineering Number: GAA09AB-D3RNB5C**

NO.	Part Code	Part Description	Qty
1	390002073	Outdoor Coil Temperature Sensor	1
2	0110136301	Condenser Coil Assy	1
2	01101363	Condenser Coil Assy ( CP Model Only)	1
3	10331004	Outdoor Axial Flow Fan	1
4	1501180303	Outdoor Fan Motor	1
5	01381004	Condenser Shroud Support Bracket	2
6	1037100912	Condenser Shroud	1
7	01251028P	Condenser Shroud Cover	1
8	01441015	Vent Door Sub-Assy	1
9	11121213	Vent Air Filter Sub-Assy	1
10	02121014	Vent Door Cable	1
11	26231155	Lower Vent Lever Cover	1
12	26231153	Vent Hand Lever	1
13	26231154	Upper Vent Lever Cover	1
14	01701038	Wall Sleeve Mounting Bracket (Left)	1
15	01251013	Top Cover Plate Sub-Assy	1
16	02121028P	Discharge Air Deck Sub-Assy	1
17	01471017	Discharge Air Screen	1
18	02121024P	Side Panel (Left)	1
19	26151139	Blower Wheel Bearing Assy (Left)	1
20	10351002	Indoor Blower Wheel (Cross Flow)	1
21	320000204	Electric Heater 2KW 230V	1
22	3900012123	Indoor Ambient Temperature Sensor	1
23	0100128401	Evaporator Coil Assy	1
24	2000147503	Front Panel Assy	1
25	26111139	Indoor Air Filter Support (Right)	1
26	26111140	Indoor Air Filter Support (Center)	1
27	26111141	Indoor Air Filter Support (Left)	1
28	20001673	Front Panel	1
29	ETAC-AIRFIL-TER-2PK	Indoor Air Filter	2
30	20121097	Display Escutcheon	1
31	6306130902	Membrane Keypad	1
32	20121070T	Control Door	1
33	02111013	Front Panel Mounting Clip	2
34	42010037	EM Wiring Terminal Block (2 - pins)	1

NO.	Part Code	Part Description	Qty
35	30562050	Display Control Board	1
36	30132043	Relay/Power Control Board 2	1
37	30132118	Main Control Board	1
38	3301074702	Capacitor CBB61S 2uF 450V	1
39	3301074701	Capacitor CBB61S 1.5uF 450V	1
40	15011802	Indoor Fan Motor	1
41	01701014P	Indoor Fan Motor Support Sub-Assy	1
42	02121023P	Side Panel (Right)	1
43	01231079P	Main Partition Wall	1
44	NA	One Way Check Valve	0
45	01701039	Wall Sleeve Mounting Bracket (Right)	1
46	01231154	Main Partition Wall Assy	1
47	10371213	Outdoor Fan Motor Bracket	1
48	03001543	Capillary Sub-Assy	1
49	400203631	Power Cord (LCDI) 208/230V 15A	1
50	00101323	Compressor and Fittings	1
51	00181077	Compressor Overload Protector(External)	1
52	03021237	4-Way Valve Assy	1
53	430004022	4-Way Valve	1
54	0120102607P	Chassis Sub-Assy	1
55	07101001	Condensate Drain Valve	1
56	12411904	Foam Condensate Pan	1
57	02121012	Electric Heater Insulation Plate	1
58	4300040022	Solenoid Coil	1
59	0140198929	Electric Control Box Assy	1
60	33000081	Capacitor 25uF 450V	1
61	42011103	Power Cord Terminal Block	1
62	49010252	Heat Sink/Radiator	1
63	43110270	Transformer	1
64	42010039S	Thermostat Wiring Terminal Block (7 pins)	1
Not Shown	30510092MX	Remote Control	1
Not Shown	22431329	IR Remote Receiver Assy	1
Not Shown	22411023	Discharge Air Grille	1
Not Shown	390000596	Indoor Coil Temperature Sensor	1
Not Shown	76710287	Compressor Grommet	3

**9,000 BTU Heat Pump 208/230 Volt 20 Amp**  
**Model Number: ETAC-09HP230V20A**



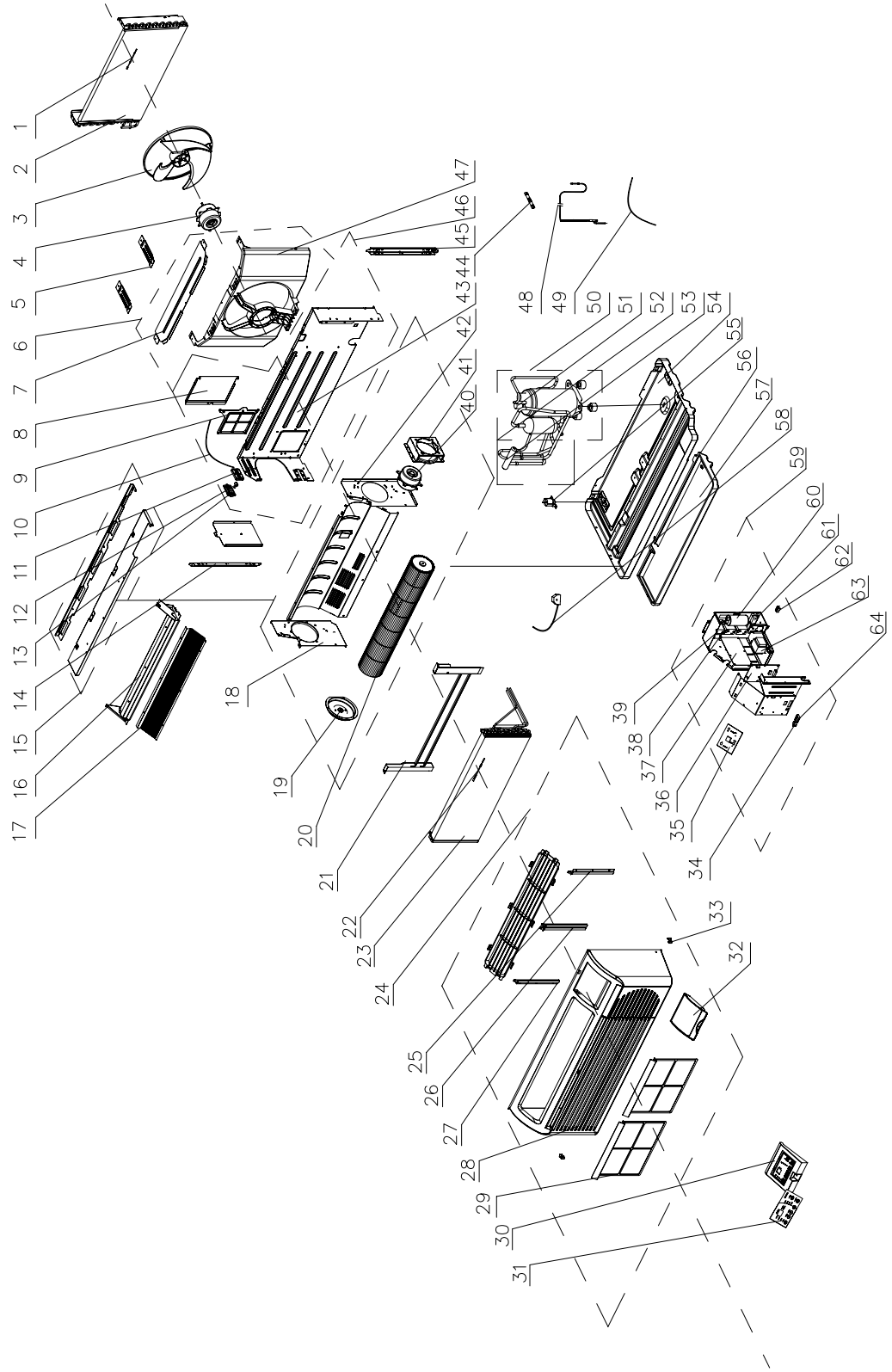


**9,000 BTU Heat Pump 208/230 Volt 20 Amp  
Model Number: ETAC-09HP230V20A  
Gree Engineering Number: GAA09AB-D3RNB5A**

NO.	Part Code	Part Description	Qty
1	390002073	Outdoor Coil Temperature Sensor	1
2	01101348	Condenser Coil Assy	1
2	01101099	Condenser Coil Assy ( CP Model Only)	1
3	10331004	Outdoor Axial Flow Fan	1
4	150110343	Outdoor Fan Motor	1
5	01381004	Condenser Shroud Support Bracket	2
6	1037100902	Condenser Shroud	1
7	01251028P	Condenser Shroud Cover	1
8	01441015	Vent Door Sub-Assy	1
9	11121213	Vent Air Filter Sub-Assy	1
10	02121014	Vent Door Cable	1
11	26231155	Lower Vent Lever Cover	1
12	26231153	Vent Hand Lever	1
13	26231154	Upper Vent Lever Cover	1
14	01701038	Wall Sleeve Mounting Bracket (Left)	1
15	01251013	Top Cover Plate Sub-Assy	1
16	02121028P	Discharge Air Deck Sub-Assy	1
17	01471017	Discharge Air Screen	1
18	02121024P	Side Panel (Left)	1
19	26151139	Blower Wheel Bearing Assy (Left)	1
20	10351002	Indoor Blower Wheel (Cross Flow)	1
21	320000201	Electric Heater 3KW 230V	1
22	3900012123	Indoor Ambient Temperature Sensor	1
23	0100128401	Evaporator Coil Assy	1
24	2000147503	Front Panel Assy	1
25	26111139	Indoor Air Filter Support (Right)	1
26	26111140	Indoor Air Filter Support (Center)	1
27	26111141	Indoor Air Filter Support (Left)	1
28	20001673	Front Panel	1
29	ETAC-AIRFIL-TER-2PK	Indoor Air Filter	2
30	2012110802	Display Escutcheon Sub-Assy	1
31	6306130902	Membrane Keypad	1
32	20121070T	Control Door	1
33	02111013	Front Panel Mounting Clip	2
34	42010037	EM Wiring Terminal Block (2 -pins)	1

NO.	Part Code	Part Description	Qty
35	30562050	Display Control Board	1
36	30132043	Relay/Power Control Board 2	1
37	30132118	Main Control Board	1
38	33010089	Capacitor CBB61 1uF 500V	1
39	33010025	Capacitor CBB61 2uF 450V	1
40	15011802	Indoor Fan Motor	1
41	01701014P	Indoor Fan Motor Support Sub-Assy	1
42	02121023P	Side Panel (Right)	1
43	01231079P	Main Partition Wall	1
44	07133001	One Way Check Valve	1
45	01701039	Wall Sleeve Mounting Bracket (Right)	1
46	01231154	Main Partition Wall Assy	1
47	10371213	Outdoor Fan Motor Bracket	1
48	03001767	Capillary Sub-Assy	1
49	400203632	Power Cord (LCDI) 208/230V 20A	1
50	00101049	Compressor	1
51	NA	Compressor Overload Protector(External)	0
52	03021221	4-Way Valve Assy	1
53	430004022	4-Way Valve	1
54	0120102603P	Chassis Sub-Assy	1
55	07101001	Condensate Drain Valve	1
56	12411904	Foam Condensate Pan	1
57	02121012	Electric Heater Insulation Plate	1
58	4300040022	Solenoid Coil	1
59	0140198914	Electric Control Box Assy	1
60	33000017	Capacitor CBB65 25uF 450V	1
61	42011103	Power Cord Terminal Block	2
62	49010252	Heat Sink/Radiator	1
63	43110270	Transformer	1
64	42010039S	Thermostat Wiring Terminal Block (7 pins)	1
Not Shown	390000596	Indoor Coil Temperature Sensor	1
Not Shown	30510092MX	Remote Control	1
Not Shown	22431329	IR Remote Receiver Assy	1
Not Shown	22411023	Discharge Air Grille	1
Not Shown	76710290	Compressor Grommet	3

**9,000 BTU Heat Pump 208/230 Volt 20 Amp**  
**Model Number: ETAC-09HP230V20B**

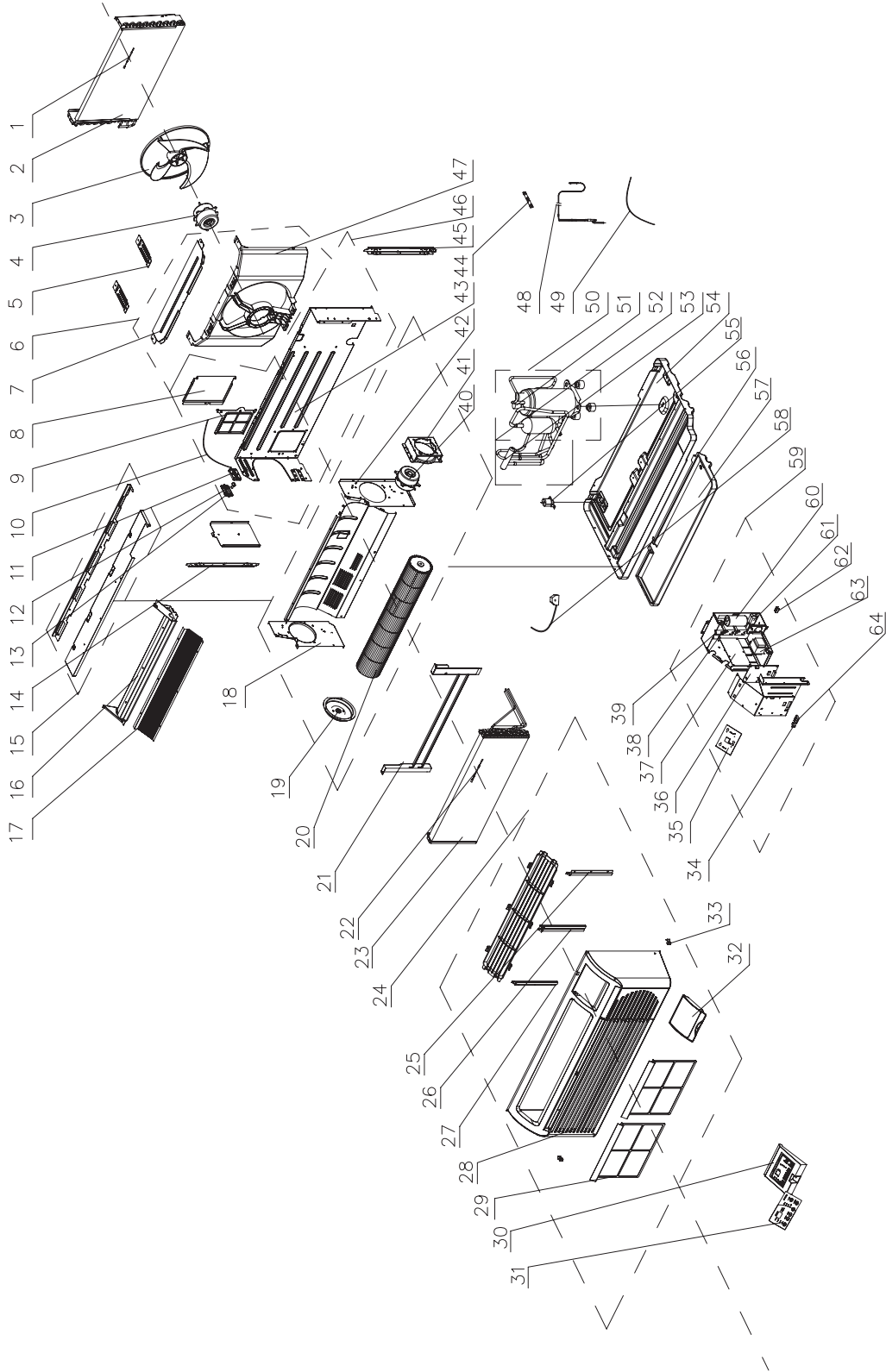


**9,000 BTU Heat Pump 208/230 Volt 20 Amp  
Model Number: ETAC-09HP230V20B  
Gree Engineering Number: AA09AB-D3RNB5A**

NO.	Part Code	Part Description	Qty
1	390002073	Outdoor Coil Temperature Sensor	1
2	0110136301	Condenser Coil Assy	1
2	01101363	Condenser Coil Assy ( CP Model Only)	1
3	10331004	Outdoor Axial Flow Fan	1
4	150110343	Outdoor Fan Motor	1
5	01381004	Condenser Shroud Support Bracket	2
6	1037100902	Condenser Shroud	1
7	01251028P	Condenser Shroud Cover	1
8	01441015	Vent Door Sub-Assy	1
9	11121213	Vent Air Filter Sub-Assy	1
10	02121014	Vent Door Cable	1
11	26231155	Lower Vent Lever Cover	1
12	26231153	Vent Hand Lever	1
13	26231154	Upper Vent Lever Cover	1
14	01701038	Wall Sleeve Mounting Bracket (Left)	1
15	01251013	Top Cover Plate Sub-Assy	1
16	02121028P	Discharge Air Deck Sub-Assy	1
17	01471017	Discharge Air Screen	1
18	02121024P	Side Panel (Left)	1
19	26151139	Blower Wheel Bearing Assy (Left)	1
20	10351002	Indoor Blower Wheel (Cross Flow)	1
21	320000201	Electric Heater 3KW 230V	1
22	3900012123	Indoor Ambient Temperature Sensor	1
23	0100128401	Evaporator Coil Assy	1
24	2000147503	Front Panel Assy	1
25	26111139	Indoor Air Filter Support (Right)	1
26	26111140	Indoor Air Filter Support (Center)	1
27	26111141	Indoor Air Filter Support (Left)	1
28	20001673	Front Panel	1
29	ETAC-AIRFIL-TER-2PK	Indoor Air Filter	2
30	20121097	Display Escutcheon	1
31	6306130902	Membrane Keypad	1
32	20121070T	Control Door	1
33	02111013	Front Panel Mounting Clip	2
34	42010037	EM Wiring Terminal Block (2 -pins)	1

NO.	Part Code	Part Description	Qty
35	30562050	Display Control Board	1
36	30132043	Relay/Power Control Board 2	1
37	30132118	Main Control Board	1
38	3301074702	Capacitor CBB61S 2uF 450V	1
39	3301074701	Capacitor CBB61S 1.5 uF 450V	1
40	15011802	Indoor Fan Motor	1
41	01701014P	Indoor Fan Motor Support Sub-Assy	1
42	02121023P	Side Panel (Right)	1
43	01231079P	Main Partition Wall	1
44	NA	One Way Check Valve	0
45	01701039	Wall Sleeve Mounting Bracket (Right)	1
46	01231154	Main Partition Wall Assy	1
47	10371213	Outdoor Fan Motor Bracket	1
48	03001543	Capillary Sub-Assy	1
49	400203632	Power Cord (LCDI) 208/230V 20A	1
50	00101323	Compressor and Fittings	1
51	00181077	Compressor Overload Protector(External)	1
52	03021237	4-Way Valve Assy	1
53	430004022	4-Way Valve	1
54	0120102607P	Chassis Sub-Assy	1
55	07101001	Condensate Drain Valve	1
56	12411904	Foam Condensate Pan	1
57	02121012	Electric Heater Insulation Plate	1
58	4300040022	Solenoid Coil	1
59	0140198110	Electric Control Box Assy	1
60	33000081	Capacitor 25uF 450V	1
61	42011103	Power Cord Terminal Block	1
62	49010252	Heat Sink/Radiator	1
63	43110270	Transformer	1
64	42010039S	Thermostat Wiring Terminal Block (7 pins)	1
Not Shown	30510092MX	Remote Control	1
Not Shown	22431329	IR Remote Receiver Assy	1
Not Shown	22411023	Discharge Air Grille	1
Not Shown	390000596	Indoor Coil Temperature Sensor	1
Not Shown	76710287	Compressor Grommet	3

**12,000 BTU Heat Pump 208/230 Volt 15 Amp  
Model Number: ETAC-12HP230V15A**

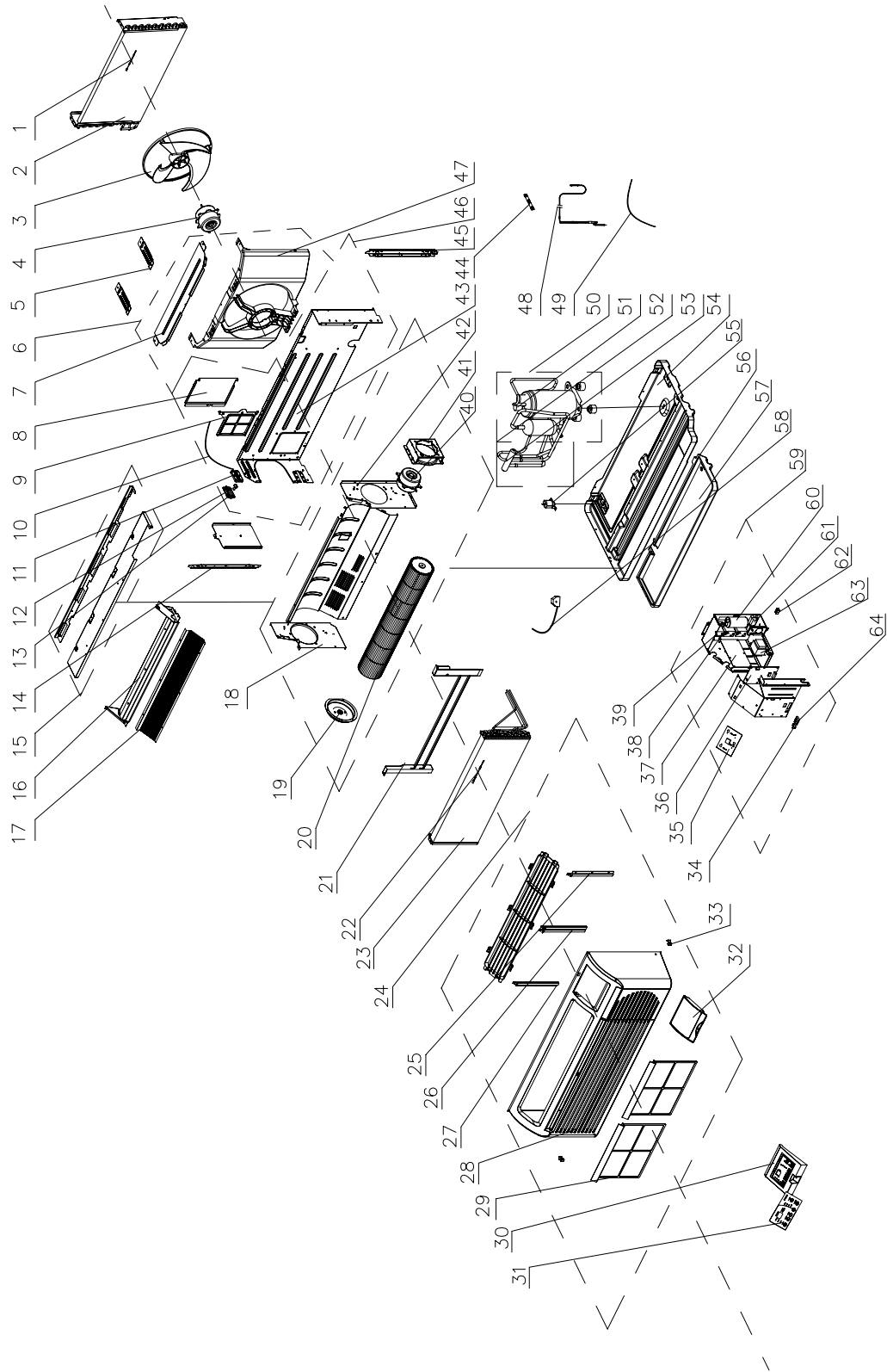


**12,000 BTU Heat Pump 208/230 Volt 15 Amp  
Model Number: ETAC-12HP230V15A  
Gree Engineering Number: GAA12AB-D3RNB5C**

NO.	Part Code	Part Description	Qty
1	390002073	Outdoor Coil Temperature Sensor	1
2	01101348	Condenser Coil Assy	1
2	01101099	Condenser Coil Assy ( CP Model Only)	1
3	10331004	Outdoor Axial Flow Fan	1
4	15011803	Outdoor Fan Motor	1
5	01381004	Condenser Shroud Support Bracket	2
6	1037100913	Condenser Shroud	1
7	01251028P	Condenser Shroud Cover	1
8	01441015	Vent Door Sub-Assy	1
9	11121213	Vent Air Filter Sub-Assy	1
10	02121014	Vent Door Cable	1
11	26231155	Lower Vent Lever Cover	1
12	26231153	Vent Hand Lever	1
13	26231154	Upper Vent Lever Cover	1
14	01701038	Wall Sleeve Mounting Bracket (Left)	1
15	01251013	Top Cover Plate Sub-Assy	1
16	02121028P	Discharge Air Deck Sub-Assy	1
17	01471017	Discharge Air Screen	1
18	02121024P	Side Panel (Left)	1
19	26151139	Blower Wheel Bearing Assy (Left)	1
20	10351002	Indoor Blower Wheel (Cross Flow)	1
21	320000204	Electric Heater 2KW 230V	1
22	3900012123	Indoor Ambient Temperature Sensor	1
23	0100128501	Evaporator Coil Assy	1
24	2000147503	Front Panel Assy	1
25	26111139	Indoor Air Filter Support (Right)	1
26	26111140	Indoor Air Filter Support (Center)	1
27	26111141	Indoor Air Filter Support (Left)	1
28	20001673	Front Panel	1
29	ETAC-AIRFIL-TER-2PK	Indoor Air Filter	2
30	2012110802	Display Escutcheon Sub-Assy	1
31	6306130902	Membrane Keypad	1
32	20121070T	Control Door	1
33	02111013	Front Panel Mounting Clip	2
34	42010037	EM Wiring Terminal Block (2 -pins)	1
35	30562050	Display Control Board	1

NO.	Part Code	Part Description	Qty
36	30132043	Relay/Power Control Board 2	1
37	30132118	Main Control Board	1
38	33010089	Capacitor CBB61 1uF 500V	1
39	33010026	Capacitor CBB61 2.5uF 450V	1
40	1501180203	Indoor Fan Motor	1
41	01701014P	Indoor Fan Motor Support Sub-Assy	1
42	02121023P	Side Panel (Right)	1
43	01231079P	Main Partition Wall	1
44	NA	One Way Check Valve	0
45	01701039	Wall Sleeve Mounting Bracket (Right)	1
46	01231154	Main Partition Wall Assy	1
47	10371213	Outdoor Fan Motor Bracket	1
48	03001139	Capillary Sub-Assy	1
49	400203631	power Cord (LCDI) 208/230V 15A	1
50	00101087	Compressor and Fittings	1
51	00181071	Compressor Overload Protector(External)	1
52	03021223	4-Way Valve Assy	1
53	430004032	4-Way Valve	1
54	0120102607P	Chassis Sub-Assy	1
55	07101001	Condensate Drain Valve	1
56	12411904	Foam Condensate Pan	1
57	02121012	Electric Heater Insulation Plate	1
58	4300040022	Solenoid Coil	1
59	0140198925	Electric Control Box Assy	1
60	33000018	Capacitor CBB65 30uF 450V	1
61	42011103	Power Cord Terminal Block	1
62	49010252	Heat Sink/Radiator	1
63	43110270	Transformer	1
64	42010039S	Thermostat Wiring Terminal Block (7 pins)	1
Not Shown	76711037	Compressor Grommet	3
Not Shown	0122101803	Air Flue Assy	1
Not Shown	01361014P	Baffle Plate	1
Not Shown	22411023	Discharge Air Grille	1
Not Shown	390000596	Indoor Coil Temperature Sensor	1
Not Shown	30510092MX	Remote Control	1
Not Shown	22431329	IR Remote Receiver Assy	1

**12,000 BTU Heat Pump 208/230 Volt 20 Amp**  
**Model Number: ETAC-12HP230V20A**

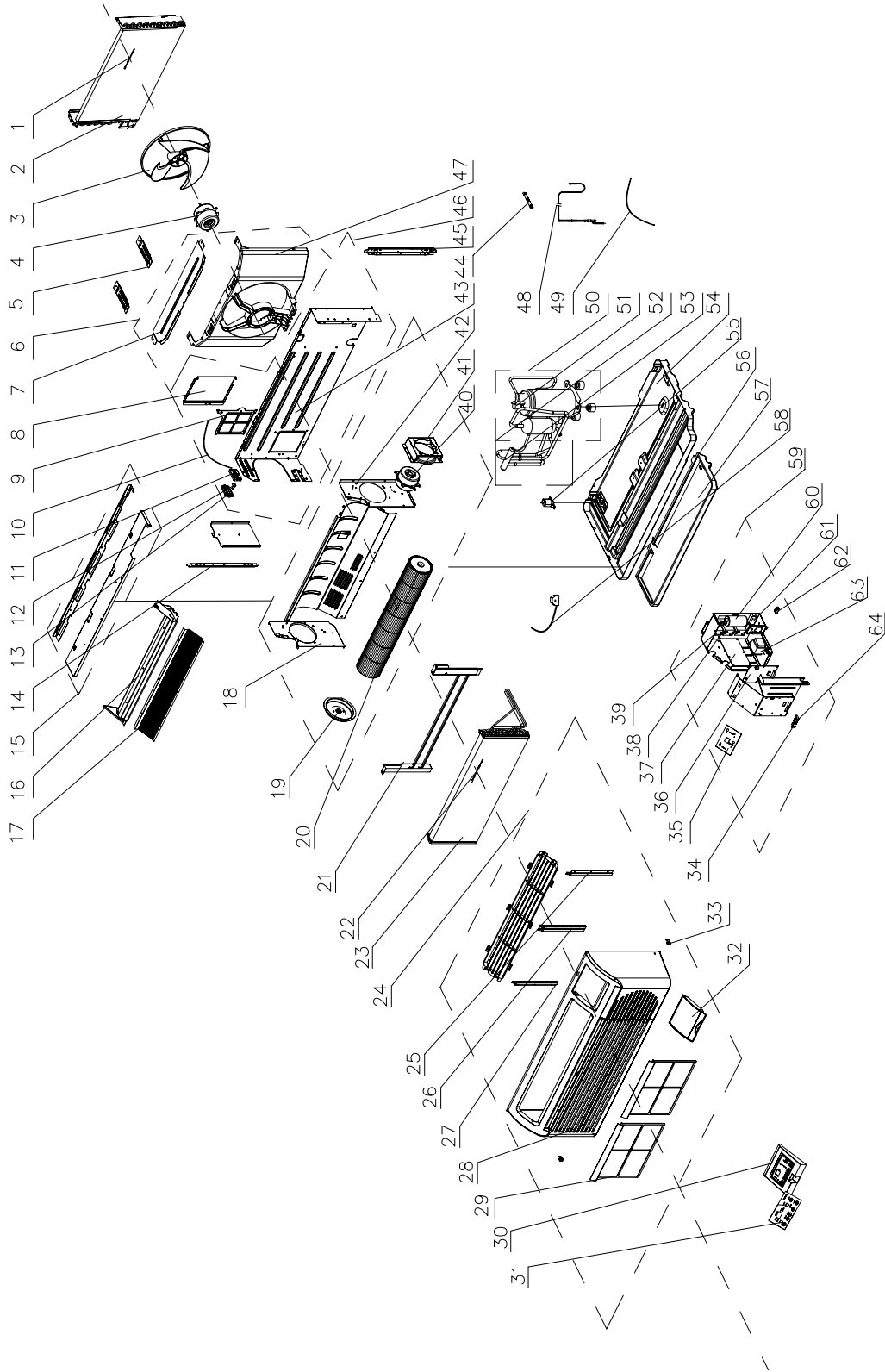


**12,000 BTU Heat Pump 208/230 Volt 20 Amp  
Model Number: ETAC-12HP230V20A  
Gree Engineering Number: GAA12AB-D3RNB5A**

NO.	Part Code	Part Description	Qty
1	390002073	Outdoor Coil Temperature Sensor	1
2	01101348	Condenser Coil Assy	1
2	01101099	Condenser Coil Assy ( CP Model Only)	1
3	10331004	Outdoor Axial Flow Fan	1
4	15011047	Outdoor Fan Motor	1
5	01381004	Condenser Shroud Support Bracket	2
6	1037100903	Condenser Shroud	1
7	01251028P	Condenser Shroud Cover	1
8	01441015	Vent Door Sub-Assy	1
9	11121213	Vent Air Filter Sub-Assy	1
10	02121014	Vent Door Cable	1
11	26231155	Lower Vent Lever Cover	1
12	26231153	Vent Hand Lever	1
13	26231154	Upper Vent Lever Cover	1
14	01701038	Wall Sleeve Mounting Bracket (Left)	1
15	01251013	Top Cover Plate Sub-Assy	1
16	02121028P	Discharge Air Deck Sub-Assy	1
17	01471017	Discharge Air Screen	1
18	02121024P	Side Panel (Left)	1
19	26151139	Blower Wheel Bearing Assy (Left)	1
20	10351002	Indoor Blower Wheel (Cross Flow)	1
21	320000201	Electric Heater 3KW 230V	1
22	3900012123	Indoor Ambient Temperature Sensor	1
23	0100128501	Evaporator Coil Assy	1
24	2000147503	Front Panel Assy	1
25	26111139	Indoor Air Filter Support (Right)	1
26	26111140	Indoor Air Filter Support (Center)	1
27	26111141	Indoor Air Filter Support (Left)	1
28	20001673	Front Panel	1
29	ETAC-AIRFIL-TER-2PK	Indoor Air Filter	2
30	2012110802	Display Escutcheon Sub-Assy	1
31	6306130902	Membrane Keypad	1
32	20121070T	Control Door	1
33	02111013	Front Panel Mounting Clip	2
34	42010037	EM Wiring Terminal Block (2 -pins)	1

NO.	Part Code	Part Description	Qty
35	30562050	Display Control Board	1
36	30132043	Relay/Power Control Board 2	1
37	30132118	Main Control Board	1
38	33010089	Capacitor CBB61 1uF 500V	1
39	33010026	Capacitor CBB61 2.5uF 450V	1
40	1501180203	Indoor Fan Motor	1
41	01701014P	Indoor Fan Motor Support Sub-Assy	1
42	02121023P	Side Panel (Right)	1
43	01231079P	Main Partition Wall	1
44	NA	One Way Check Valve	0
45	01701039	Wall Sleeve Mounting Bracket (Right)	1
46	01231154	Main Partition Wall Assy	1
47	10371213	Outdoor Fan Motor Bracket	1
48	03001139	Capillary Sub-Assy	1
49	400203632	Power Cord (LCDI) 208/230V 20A	1
50	00101087	Compressor and Fittings	1
51	00181071	Compressor Overload Protector(External)	1
52	03021223	4-Way Valve Assy	1
53	430004032	4-Way Valve	1
54	0120102607P	Chassis Sub-Assy	1
55	07101001	Condensate Drain Valve	1
56	12411904	Foam Condensate Pan	1
57	02121012	Electric Heater Insulation Plate	1
58	4300040022	Solenoid Coil	1
59	0140198916	Electric Control Box Assy	1
60	33000018	Capacitor CBB65 30uF 450V	1
61	42011103	Power Cord Terminal Block	2
62	49010252	Heat Sink/Radiator	1
63	43110270	Transformer	1
64	42010039S	Thermostat Wiring Terminal Block (7 pins)	1
Not Shown	390000596	Indoor Coil Temperature Sensor	1
Not Shown	30510092MX	Remote Control	1
Not Shown	22431329	IR Remote Receiver Assy	1
Not Shown	22411023	Discharge Air Grille	1
Not Shown	76710287	Compressor Grommet	3

**PTAC 12,000 BTU Heat Pump 208/230 Volt 30 Amp**  
**Model Number: ETAC-12HP230V30A**



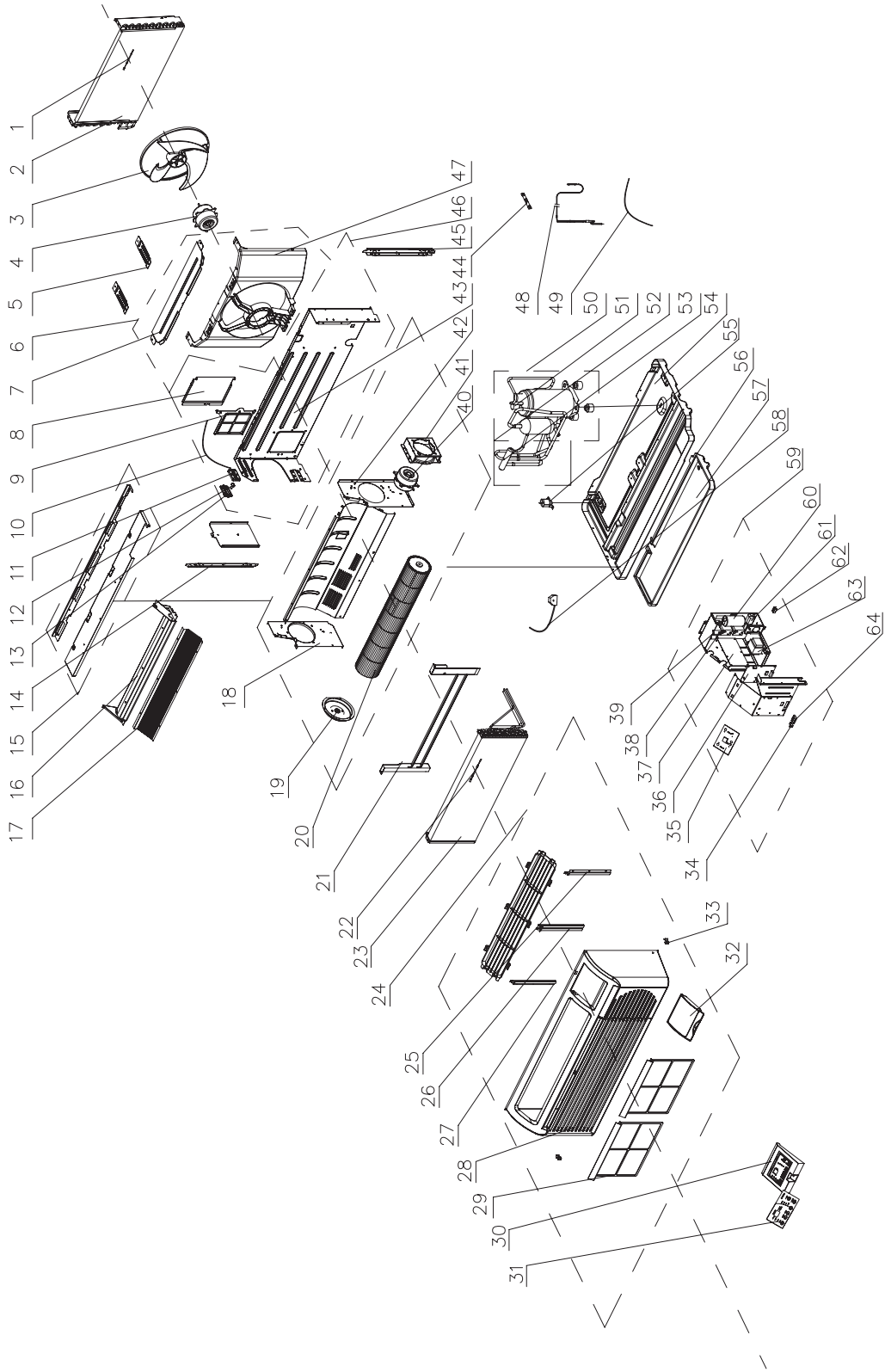


**PTAC 12,000 BTU Heat Pump 208/230 Volt 30 Amp  
Model Number: ETAC-12HP230V30A  
Gree Engineering Number: GAA12AB-D3RNB5B**

NO.	Part Code	Part Description	Qty
1	390002073	Outdoor Coil Temperature Sensor	1
2	01101348	Condenser Coil Assy	1
2	01101099	Condenser Coil Assy ( CP Model Only)	1
3	10331004	Outdoor Axial Flow Fan	1
4	15011047	Outdoor Fan Motor	1
5	01381004	Condenser Shroud Support Bracket	2
6	1037100903	Condenser Shroud	1
7	01251028P	Condenser Shroud Cover	1
8	01441015	Vent Door Sub-Assy	1
9	11121213	Vent Air Filter Sub-Assy	1
10	02121014	Vent Door Cable	1
11	26231155	Lower Vent Lever Cover	1
12	26231153	Vent Hand Lever	1
13	26231154	Upper Vent Lever Cover	1
14	01701038	Wall Sleeve Mounting Bracket (Left)	1
15	01251013	Top Cover Plate Sub-Assy	1
16	02121028P	Discharge Air Deck Sub-Assy	1
17	01471017	Discharge Air Screen	1
18	02121024P	Side Panel (Left)	1
19	26151139	Blower Wheel Bearing Assy (Left)	1
20	10351002	Indoor Blower Wheel (Cross Flow)	1
21	32000002	Electric Heater 5KW 230V	1
22	3900012123	Indoor Ambient Temperature Sensor	1
23	0100128501	Evaporator Coil Assy	1
24	2000147503	Front Panel Assy	1
25	26111139	Indoor Air Filter Support (Right)	1
26	26111140	Indoor Air Filter Support (Center)	1
27	26111141	Indoor Air Filter Support (Left)	1
28	20001673	Front Panel	1
29	ETAC-AIRFIL-TER-2PK	Indoor Air Filter	2
30	2012110802	Display Escutcheon Sub-Assy	1
31	6306130902	Membrane Keypad	1
32	20121070T	Control Door	1
33	02111013	Front Panel Mounting Clip	2
34	42010037	EM Wiring Terminal Block (2 -pins)	1

NO.	Part Code	Part Description	Qty
35	30562050	Display Control Board	1
36	30132072	Relay/Power Control Board 2	1
37	30132118	Main Control Board	1
38	33010089	Capacitor CBB61 1uf 500V	1
39	33010026	Capacitor CBB61 2.5uF 450V	1
40	1501180203	Indoor Fan Motor	1
41	01701014P	Indoor Fan Motor Support Sub-Assy	1
42	02121023P	Side Panel (Right)	1
43	01231079P	Main Partition Wall	1
44	NA	One Way Check Valve	0
45	01701039	Wall Sleeve Mounting Bracket (Right)	1
46	01231154	Main Partition Wall Assy	1
47	10371213	Outdoor Fan Motor Bracket	1
48	03001139	Capillary Sub-Assy	1
49	4002056001	Power Cord (LCDI) 208/230V 30A	1
50	00101087	Compressor and Fittings	1
51	00181071	Compressor Overload Protector(External)	1
52	03021223	4-Way Valve Assy	1
53	430004032	4-Way Valve	1
54	0120102607P	Chassis Sub-Assy	1
55	07101001	Condensate Drain Valve	1
56	12411904	Foam Condensate Pan	1
57	02121012	Electric Heater Insulation Plate	1
58	4300040022	Solenoid Coil	1
59	0140198918	Electric Control Box Assy	1
60	33000018	Capacitor CBB65 30uF 450V	1
61	42011103	Power Cord Terminal Block	2
62	49010252	Heat Sink/Radiator	1
63	43110270	Transformer	1
64	42010039S	Thermostat Wiring Terminal Block (7 pins)	1
Not Shown	390000596	Indoor Coil Temperature Sensor	1
Not Shown	30510092MX	Remote Control	1
Not Shown	22431329	IR Remote Receiver Assy	1
Not Shown	22411023	Discharge Air Grille	1
Not Shown	76710287	Compressor Grommet	3

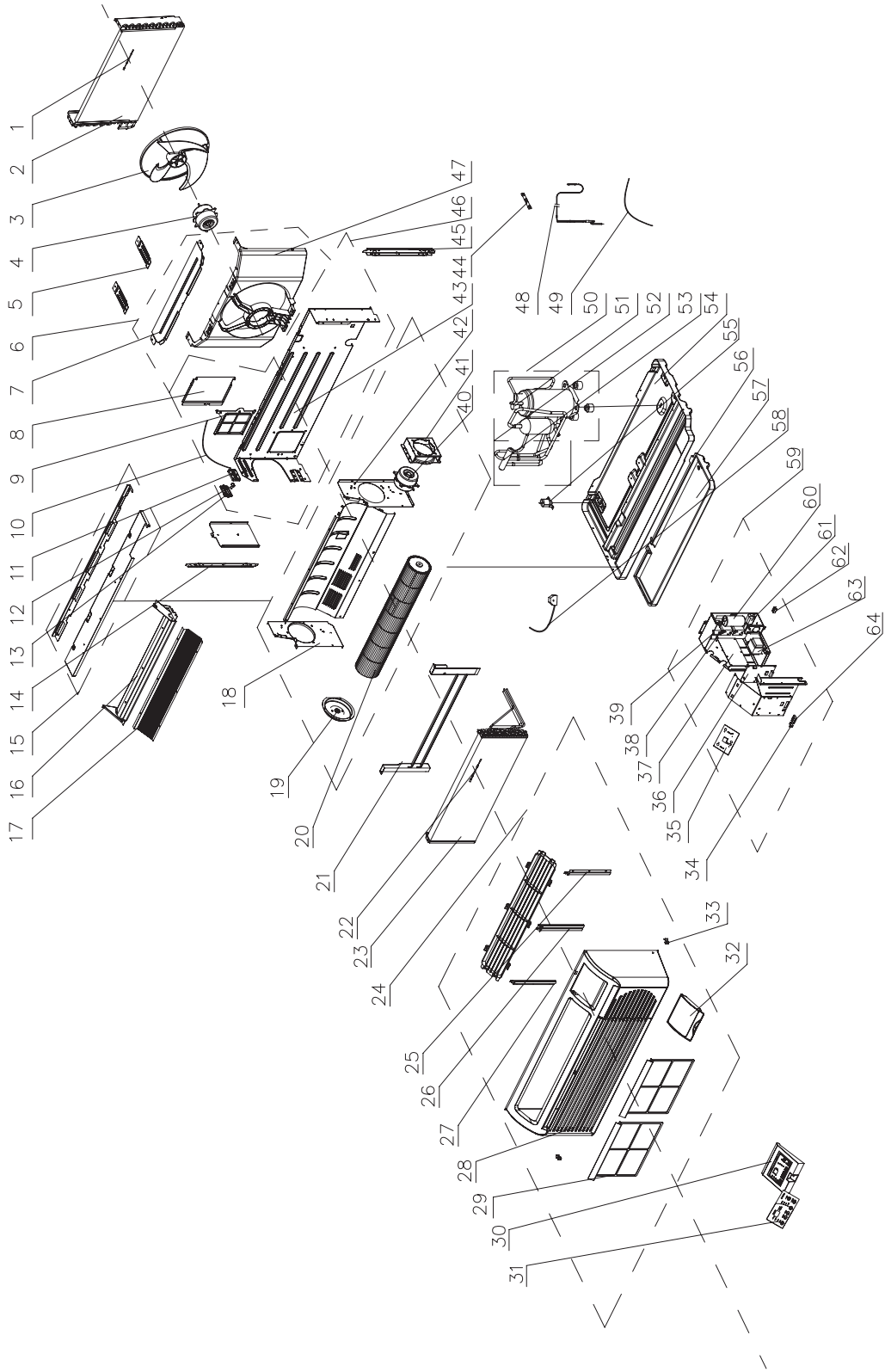
**15,000 BTU Heat Pump 208/230 Volt 20 Amp  
 Model Number: ETAC-15HP230V20A**



**15,000 BTU Heat Pump 208/230 Volt 20 Amp  
Model Number: ETAC-15HP230V20A  
Gree Engineering Number: GAA15AB-D3RNB5A**

NO.	Part Code	Part Description	Qty	NO.	Part Code	Part Description	Qty
1	390002073	Outdoor Coil Temperature Sensor	1	36	30132043	Relay/Power Control Board 2	1
2	01101191	Condenser Coil Assy	1	37	30132118	Main Control Board	1
2	0110119102	Condenser Coil Assy ( CP Model Only)	1	38	33010089	Capacitor CBB61 1uF 500V	1
3	10331004	Outdoor Axial Flow Fan	1	39	33010026	Capacitor CBB61 2.5uF 450V	1
4	1501104710	Outdoor Fan Motor	1	40	1501180203	Indoor Fan Motor	1
5	01381004	Condenser Shroud Support Bracket	2	41	01701014P	Indoor Fan Motor Support Sub-Assy	1
6	10371216	Condenser Shroud	1	42	02121023P	Side Panel (Right)	1
7	01251028P	Condenser Shroud Cover	1	43	01231079P	Main Partition Wall	1
8	01441015	Vent Door Sub-Assy	1	44	07133001	One Way Check Valve	1
9	11121213	Vent Air Filter Sub-Assy	1	45	01701039	Wall Sleeve Mounting Bracket (Right)	1
10	02121014	Vent Door Cable	1	46	01231154	Main Partition Wall Assy	1
11	26231155	Lower Vent Lever Cover	1	47	10371213	Outdoor Fan Motor Bracket	1
12	26231153	Vent Hand Lever	1	48	03001434	Capillary Sub-Assy	1
13	26231154	Upper Vent Lever Cover	1	49	400203632	Power Cord (LCDI) 208/230V 20A	1
14	01701038	Wall Sleeve Mounting Bracket (Left)	1	50	00101085	Compressor and Fittings	1
15	01251013	Top Cover Plate Sub-Assy	1	51	00180326	Compressor Overload Protector (External)	1
16	02121028P	Discharge Air Deck Sub-Assy	1	52	03021187	4-way Valve Assy	1
17	01471017	Discharge Air Screen	1	53	430004032	4-Way Valve	1
18	02121024P	Side Panel (Left)	1	54	01201026P	Base Pan Assy	1
19	26151139	Blower Wheel Bearing Assy (Left)	1	55	07101001	Condensate Drain Valve	1
20	10351002	Indoor Blower Wheel (Cross Flow)	1	56	12411904	Foam Condensate Pan	1
21	320000201	Electric Heater 3KW 230V	1	57	02121012	Electric Heater Insulation Plate	1
22	3900012123	Indoor Ambient Temperature Sensor	1	58	4300040022	Solenoid Coil	1
23	0100128501	Evaporator Coil Assy	1	59	02601023	Electric Control Box Assy	1
24	2000147503	Front Panel Assy	1	60	3300008108	Capacitor CBB65 40uF 450V	1
25	26111139	Indoor Air Filter Support (Right)	1	61	42011103	Power Cord Terminal Block	2
26	26111140	Indoor Air Filter Support (Center)	1	62	49010252	Heat Sink/Radiator	1
27	26111141	Indoor Air Filter Support (Left)	1	63	43110270	Transformer	1
28	20001673	Front Panel	1	64	42010039S	Thermostat Wiring Terminal Block (7 pins)	1
29	ETAC-AIRFIL-TER-2PK	Indoor Air Filter	2	Not Shown	390000596	Indoor Coil Temperature Sensor	1
30	2012110802	Display Escutcheon Sub-Assy	1	Not Shown	01361014P	Baffle Plate	1
31	6306130902	Membrane Keypad	1	Not Shown	0122101803	Air Flue Assy	1
32	20121070T	Control Door	1	Not Shown	76710216	Compressor Grommet	3
33	02111013	Front Panel Mounting Clip	2	Not Shown	30510092MX	Remote Control	1
34	42010037	EM Wiring Terminal Block (2 - pins)	1	Not Shown	22431329	IR Remote Receiver Assy	1
35	30562050	Display Control Board	1	Not Shown	22411023	Discharge Air Grille	1

**15,000 BTU Heat Pump 208/230 Volt 20 Amp**  
**Model Number: ETAC-15HP230V20B**

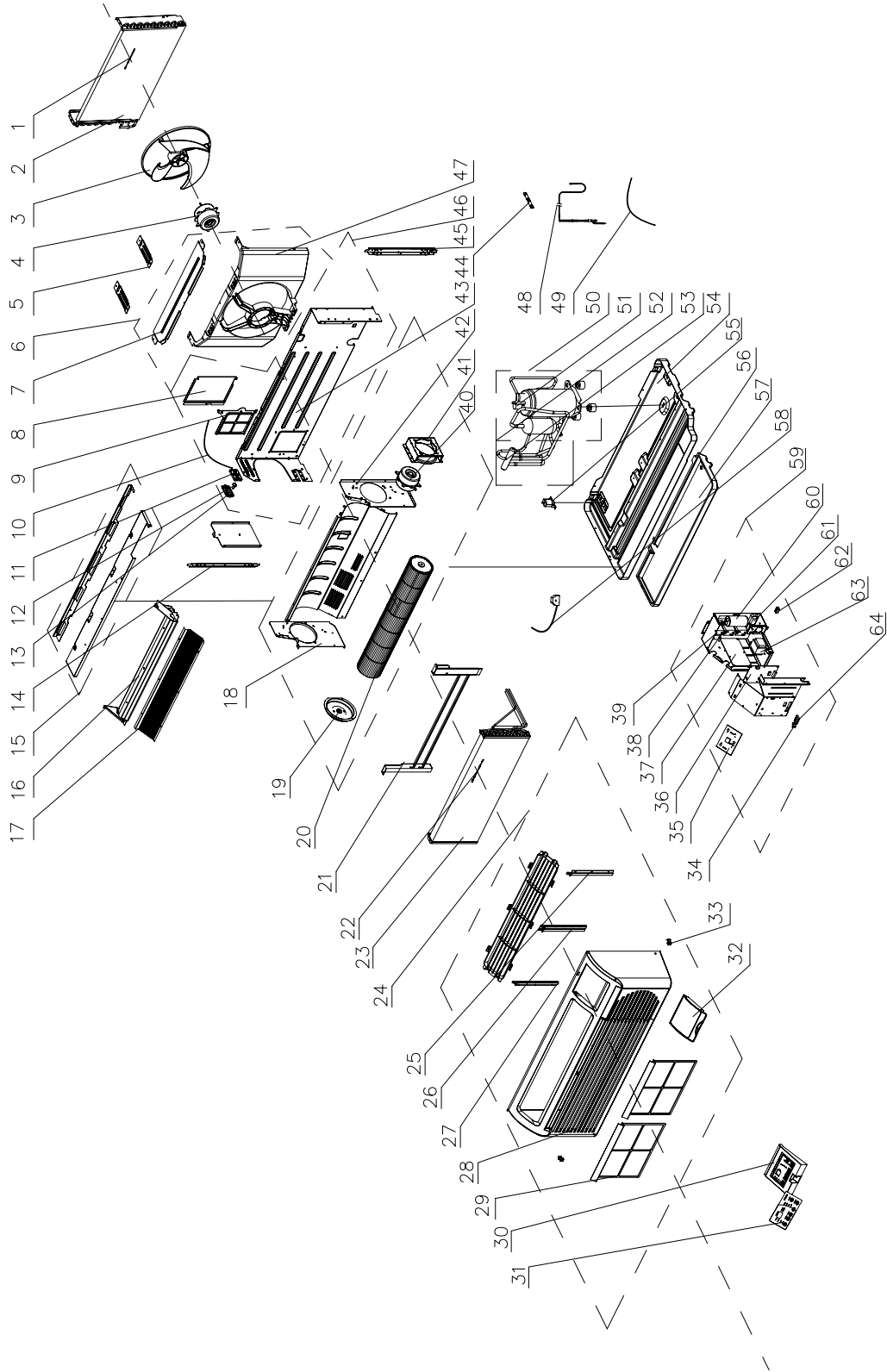


**15,000 BTU Heat Pump 208/230 Volt 20 Amp  
Model Number: ETAC-15HP230V20B  
Gree Engineering Number: GAA15AB-D3RNB5D**

NO.	Part Code	Part Description	Qty
1	390002073	Outdoor Coil Temperature Sensor	1
2	01101191	Condenser Coil Assy	1
2	0110119103	Condenser Coil Assy ( CP Model Only)	1
3	10331004	Outdoor Axial Flow Fan	1
4	1501180310	Outdoor Fan Motor	1
5	01381004	Condenser Shroud Support Bracket	2
6	1037100920	Condenser Shroud	1
7	01251028P	Condenser Shroud Cover	1
8	01441015	Vent Door Sub-Assy	1
9	11121213	Vent Air Filter Sub-Assy	1
10	02121014	Vent Door Cable	1
11	26231155	Lower Vent Lever Cover	1
12	26231153	Vent Hand Lever	1
13	26231154	Upper Vent Lever Cover	1
14	01701038	Wall Sleeve Mounting Bracket (Left)	1
15	01251013	Top Cover Plate Sub-Assy	1
16	02121028P	Discharge Air Deck Sub-Assy	1
17	01471017	Discharge Air Screen	1
18	02121024P	Side Panel (Left)	1
19	26151139	Blower Wheel Bearing Assy (Left)	1
20	10351002	Indoor Blower Wheel (Cross Flow)	1
21	320000201	Electric Heater 3kw 230V	1
22	3900012123	Indoor Ambient Temperature Sensor	1
23	0100128501	Evaporator Coil Assy	1
24	2000147503	Front Panel Assy	1
25	26111139	Indoor Air Filter Support (Right)	1
26	26111140	Indoor Air Filter Support (Center)	1
27	26111141	Indoor Air Filter Support (Left)	1
28	20001673	Front Panel	1
29	ETAC-AIRFIL-TER-2PK	Indoor Air Filter	2
30	20121097	Display Escutcheon	1
31	6306130902	Membrane Keypad	1
32	20121070T	Control Door	1
33	02111013	Front Panel Mounting Clip	2
34	42010037	EM Wiring Terminal Block (2 -pins)	1

NO.	Part Code	Part Description	Qty
35	30562050	Display Control Board	1
36	30132043	Relay/Power Control Board 2	1
37	30132118	Main Control Board	1
38	3301074710	Capacitor CBB61 2.5uF 450v	1
39	33010089	Capacitor CBB61 1uF 500V	1
40	1501180203	Indoor Fan Motor	1
41	01701014P	Indoor Fan Motor Support Sub-Assy	1
42	02121023P	Side Panel (Right)	1
43	01231079P	Main Partition Wall	1
44	07133001	One Way Check Valve	1
45	01701039	Wall Sleeve Mounting Bracket (Right)	1
46	01231154	Main Partition Wall Assy	1
47	10371213	Outdoor Fan Motor Bracket	1
48	03001844	Capillary Sub-Assy	1
49	400203632	Power Cord (LCDI) 208/230V 20A	1
50	00101233	Compressor and Fittings	1
51	NA	Compressor Overload Protector(External)	0
52	03021021	4-way Valve Assy	1
53	430004032	4-Way Valve	1
54	0120102606P	Chassis Sub-Assy	1
55	07101001	Condensate Drain Valve	1
56	12411904	Foam Condensate Pan	1
57	02121012	Electric Heater Insulation Plate	1
58	4300040022	Solenoid Coil	1
59	0140198937	Electric Control Box Assy	1
60	3300008101	Capacitor 30uF 450V	1
61	42011103	Power Cord Terminal Block	1
62	49010252	Heat Sink/Radiator	1
63	43110270	Transformer	1
64	42010039S	Thermostat Wiring Terminal Block (7 pins)	1
Not Shown	30510092MX	Remote Control	1
Not Shown	22431329	IR Remote Receiver Assy	1
Not Shown	22411023	Discharge Air Grille	1
Not Shown	390000596	Indoor Coil Temperature Sensor	1
Not Shown	76710247	Compressor Grommet	3

**15,000 BTU Heat Pump 208/230 Volt 30 Amp**  
**Model Number: ETAC-15HP230V30A**

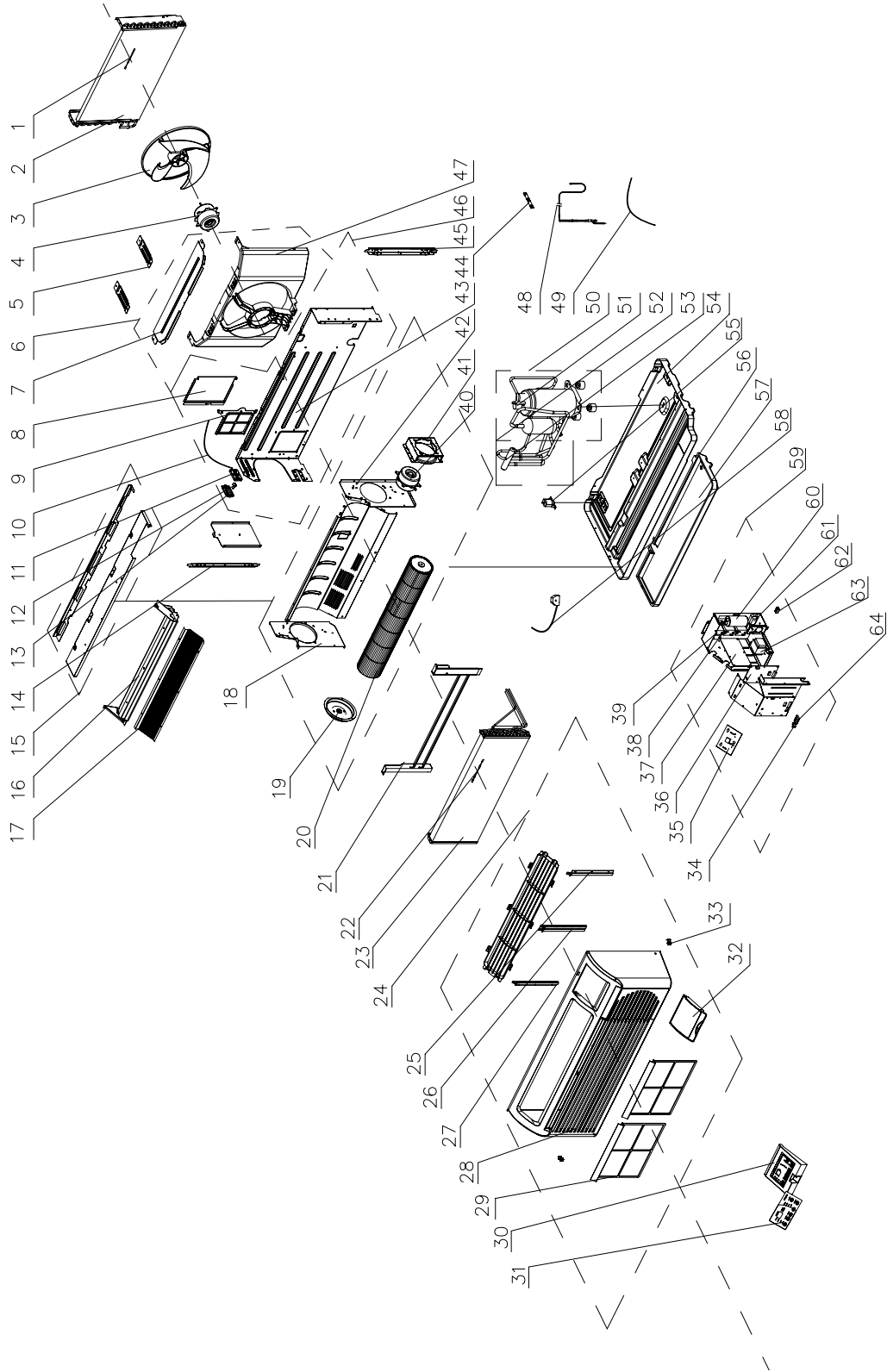


**15,000 BTU Heat Pump 208/230 Volt 30 Amp  
Model Number: ETAC-15HP230V30A  
Gree Engineering Number: GAA15AB-D3RNB5B**

NO.	Part Code	Part Description	Qty
1	390002073	Outdoor Coil Temperature Sensor	1
2	01101191	Condenser Coil Assy	1
2	0110119102	Condenser Coil Assy ( CP Model Only)	1
3	10331004	Outdoor Axial Flow Fan	1
4	1501104710	Outdoor Fan Motor	1
5	01381004	Condenser Shroud Support Bracket	2
6	1037100908	Condenser Shroud	1
7	01251028P	Condenser Shroud Cover	1
8	01441015	Vent Door Sub-Assy	1
9	11121213	Vent Air Filter Sub-Assy	1
10	02121014	Vent Door Cable	1
11	26231155	Lower Vent Lever Cover	1
12	26231153	Vent Hand Lever	1
13	26231154	Upper Vent Lever Cover	1
14	01701038	Wall Sleeve Mounting Bracket (Left)	1
15	01251013	Top Cover Plate Sub-Assy	1
16	02121028P	Discharge Air Deck Sub-Assy	1
17	01471017	Discharge Air Screen	1
18	02121024P	Side Panel (Left)	1
19	26151139	Blower Wheel Bearing Assy (Left)	1
20	10351002	Indoor Blower Wheel (Cross Flow)	1
21	32000002	Electric Heater 5KW 230V	1
22	3900012123	Indoor Ambient Temperature Sensor	1
23	0100128501	Evaporator Coil Assy	1
24	2000147503	Front Panel Assy	1
25	26111139	Indoor Air Filter Support (Right)	1
26	26111140	Indoor Air Filter Support (Center)	1
27	26111141	Indoor Air Filter Support (Left)	1
28	20001673	Front Panel	1
29	ETAC-AIRFIL-TER-2PK	Indoor Air Filter	2
30	2012110802	Display Escutcheon Sub-Assy	1
31	6306130902	Membrane Keypad	1
32	20121070T	Control Door	1
33	02111013	Front Panel Mounting Clip	2
34	42010037	EM Wiring Terminal Block (2 -pins)	1

NO.	Part Code	Part Description	Qty
35	30562050	Display Control Board	1
36	30132072	Main Control Board	1
37	30132118	Main Control Board	1
38	33010089	Capacitor CBB61 1uF 500V	1
39	33010026	Capacitor CBB61 1.2uF 450V	1
40	1501180203	Indoor Fan Motor	1
41	01701014P	Indoor Fan Motor Support Sub-Assy	1
42	02121023P	Side Panel (Right)	1
43	01231079P	Main Partition Wall	1
44	NA	One Way Check Valve	0
45	01701039	Wall Sleeve Mounting Bracket (Right)	1
46	01231154	Main Partition Wall Assy	1
47	10371213	Outdoor Fan Motor Bracket	1
48	03001434	Capillary Sub-Assy	1
49	4002056001	Power Cord (LCDI) 208/230V 30A	1
50	00101085	Compressor and Fittings	1
51	00180326	Compressor Overload Protector (External)	1
52	03021187	4-way Valve Assy	1
53	430004032	4-Way Valve	1
54	01201026P	Base Pan Assy	1
55	07101001	Condensate Drain Valve	1
56	12411904	Foam Condensate Pan	1
57	02121012	Electric Heater Insulation Plate	1
58	4300040022	Solenoid Coil	1
59	0140198910	Electric Control Box Assy	1
60	33000045	Capacitor CBB65 40uF 450V	1
61	42011103	Power Cord Terminal Block	2
62	49010252	Heat Sink/Radiator	1
Not Shown	43110270	Transformer	1
Not Shown	42010039S	Thermostat Wiring Terminal Block (7 pins)	1
Not Shown	30510092MX	Remote Control	1
Not Shown	22431329	IR Remote Receiver Assy	1
Not Shown	22411023	Discharge Air Grille	1
Not Shown	390000596	Indoor Coil Temperature Sensor	1
Not Shown	76710216	Compressor Grommet	3

**15,000 BTU Heat Pump 208/230 Volt 30 Amp**  
**Model Number: ETAC-15HP230V30B**



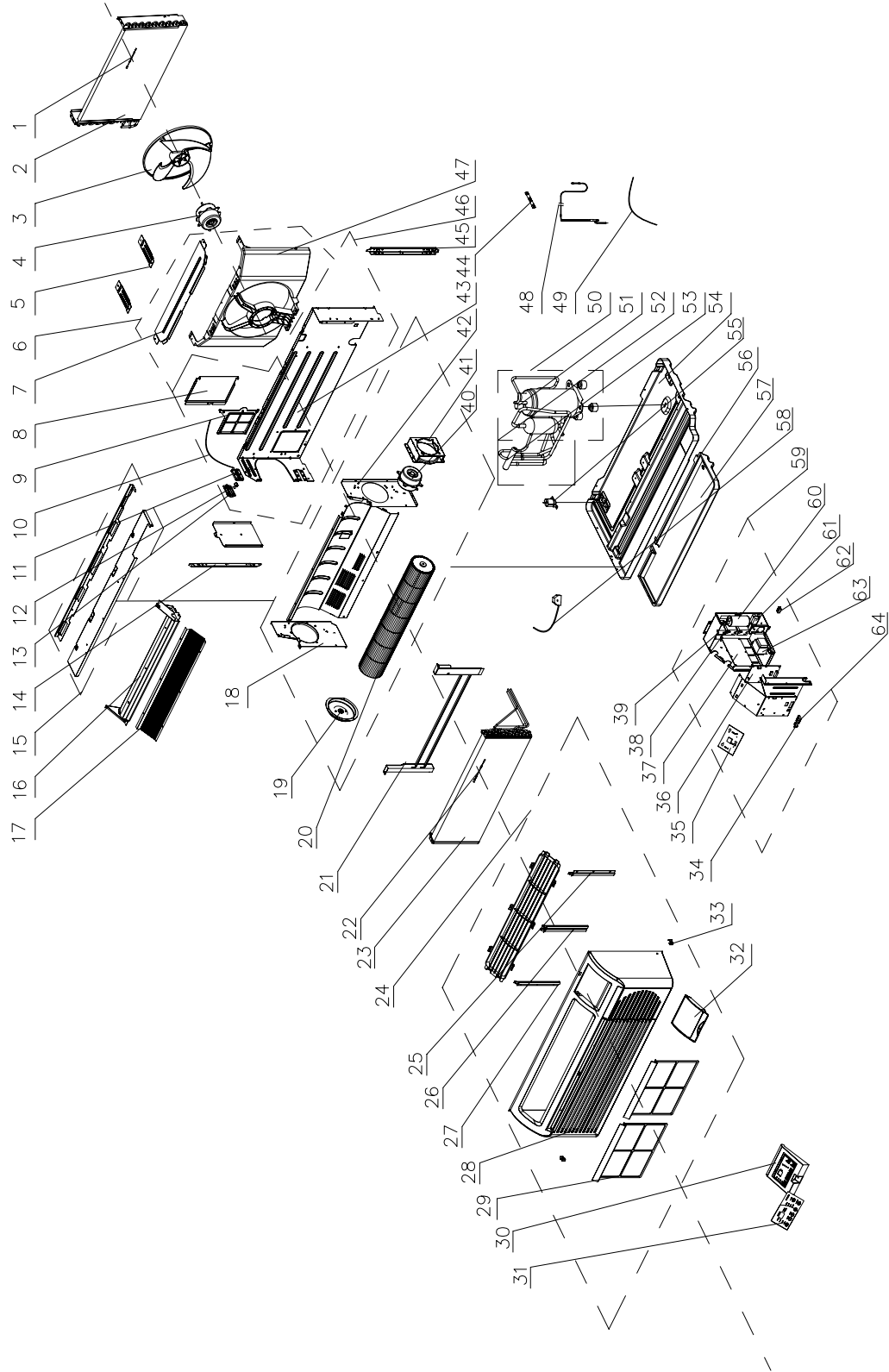


**15,000 BTU Heat Pump 208/230 Volt 30 Amp  
Model Number: ETAC-15HP230V30B  
Gree Engineering Number: GAA15AB-D3RNB5E**

NO.	Part Code	Part Description	Qty
1	390002073	Outdoor Coil Temperature Sensor	1
2	01101191	Condenser Coil Assy	1
2	0110119103	Condenser Coil Assy ( CP Model Only)	1
3	10331004	Outdoor Axial Flow Fan	1
4	1501180310	Outdoor Fan Motor	1
5	01381004	Condenser Shroud Support Bracket	2
6	1037100920	Condenser Shroud	1
7	01251028P	Condenser Shroud Cover	1
8	01441015	Vent Door Sub-Assy	1
9	11121213	Vent Air Filter Sub-Assy	1
10	02121014	Vent Door Cable	1
11	26231155	Lower Vent Lever Cover	1
12	26231153	Vent Hand Lever	1
13	26231154	Upper Vent Lever Cover	1
14	01701038	Wall Sleeve Mounting Bracket (Left)	1
15	01251013	Top Cover Plate Sub-Assy	1
16	02121028P	Discharge Air Deck Sub-Assy	1
17	01471017	Discharge Air Screen	1
18	02121024P	Side Panel (Left)	1
19	26151139	Blower Wheel Bearing Assy (Left)	1
20	10351002	Indoor Blower Wheel (Cross Flow)	1
21	32000002	Electric Heater 5KW 230V	1
22	3900012123	Indoor Ambient Temperature Sensor	1
23	0100128501	Evaporator Coil Assy	1
24	2000147503	Front Panel Assy	1
25	26111139	Indoor Air Filter Support (Right)	1
26	26111140	Indoor Air Filter Support (Center)	1
27	26111141	Indoor Air Filter Support (Left)	1
28	20001673	Front Panel	1
29	ETAC-AIRFIL-TER-2PK	Indoor Air Filter	2
30	20121097	Display Escutcheon	1
31	6306130902	Membrane Keypad	1
32	20121070T	Control Door	1
33	02111013	Front Panel Mounting Clip	2
34	42010037	EM Wiring Terminal Block (2 - pins)	1

NO.	Part Code	Part Description	Qty
35	30562050	Display Control Board	1
36	30132043	Relay/Power Control Board 2	1
37	30132118	Main Control Board	1
38	3301074710	Capacitor CBB61 2.5uF 450V	1
39	33010089	Capacitor CBB61 1uF 500V	1
40	1501180203	Indoor Fan Motor	1
41	01701014P	Indoor Fan Motor Support Sub-Assy	1
42	02121023P	Side Panel (Right)	1
43	01231079P	Main Partition Wall	1
44	07133001	One Way Check Valve	1
45	01701039	Wall Sleeve Mounting Bracket (Right)	1
46	01231154	Main Partition Wall Assy	1
47	10371213	Outdoor Fan Motor Bracket	1
48	03001844	Capillary Sub-Assy	1
49	4002056001	Power Cord (LCDI) 208/230V 30A	1
50	00101233	Compressor and Fittings	1
51	NA	Compressor Overload Protector(External)	0
52	03021021	4-way Valve Assy	1
53	430004032	4-Way Valve	1
54	0120102606P	Chassis Sub-Assy	1
55	07101001	Condensate Drain Valve	1
56	12411904	Foam Condensate Pan	1
57	02121012	Electric Heater Insulation Plate	1
58	4300040022	Solenoid Coil	1
59	0140198936	Electric Control Box Assy	1
60	3300008101	Capacitor 30uF 450V	1
61	42011103	Power Cord Terminal Block	1
62	49010252	Heat Sink/Radiator	1
63	43110270	Transformer	1
64	42010039S	Thermostat Wiring Terminal Block (7 pins)	1
Not Shown	30510092MX	Remote Control	1
Not Shown	22431329	IR Remote Receiver Assy	1
Not Shown	22411023	Discharge Air Grille	1
Not Shown	390000596	Indoor Coil Temperature Sensor	1
Not Shown	76710247	Compressor Grommet	3

**7,000 BTU Heat Pump 265 Volt 20 Amp**  
**Model Number: ETAC-07HP265V20A**

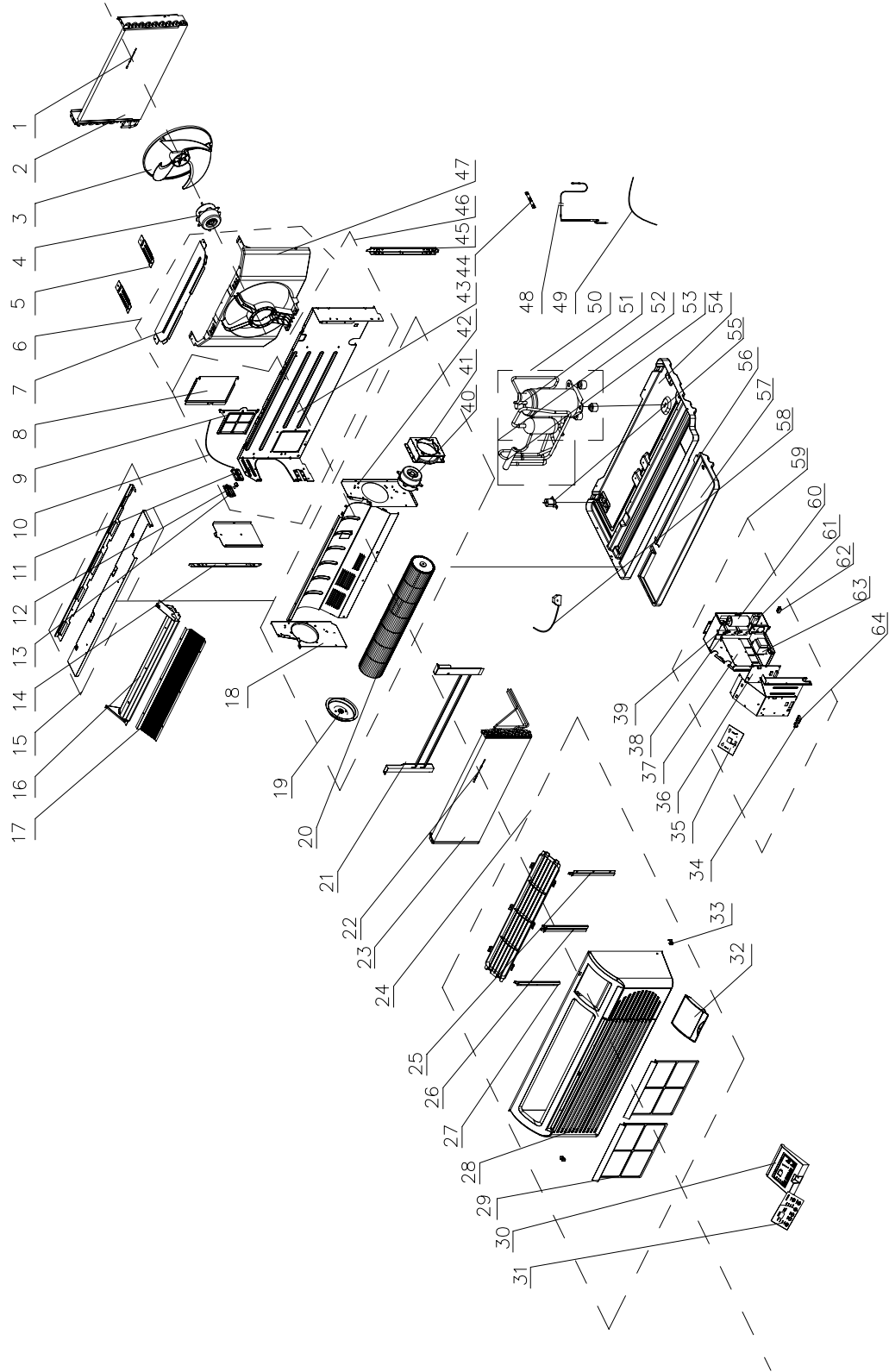


**7,000 BTU Heat Pump 265 Volt 20 Amp  
Model Number: ETAC-07HP265V20A  
Gree Engineering Number: GAA07AB-P3RNB5A**

NO.	Part Code	Part Description	Qty
1	390002073	Outdoor Coil Temperature Sensor	1
2	01101097	Condenser Coil Assy	1
2	0110109701	Condenser Coil Assy ( CP Model Only)	1
3	10331004	Outdoor Axial Flow Fan	1
4	150110345	Outdoor Fan Motor	1
5	01381004	Condenser Shroud Support Bracket	2
6	10371215	Condenser Shroud	1
7	01251028P	Condenser Shroud Cover	1
8	01441015	Vent Door Sub-Assy	1
9	11121213	Vent Air Filter Sub-Assy	1
10	02121014	Vent Door Cable	1
11	26231155	Lower Vent Lever Cover	1
12	26231153	Vent Hand Lever	1
13	26231154	Upper Vent Lever Cover	1
14	01701038	Wall Sleeve Mounting Bracket (Left)	1
15	01251013	Top Cover Plate Sub-Assy	1
16	02121028P	Discharge Air Deck Sub-Assy	1
17	01471017	Discharge Air Screen	1
18	02121024P	Side Panel (Left)	1
19	26151139	Blower Wheel Bearing Assy (Left)	1
20	10351002	Indoor Blower Wheel (Cross Flow)	1
21	320000203	Electric Heater 3KW 265V	1
22	3900012123	Indoor Ambient Temperature Sensor	1
23	0100106601	Evaporator Coil Assy	1
24	2000147503	Front Panel Assy	1
25	26111139	Indoor Air Filter Support (Right)	1
26	26111140	Indoor Air Filter Support (Center)	1
27	26111141	Indoor Air Filter Support (Left)	1
28	20001673	Front Panel	1
29	ETAC-AIRFIL-TER-2PK	Indoor Air Filter	2
30	20121097	Display Escutcheon	1
31	6306130902	Membrane Keypad	1
32	20121070T	Control Door	1
33	02111013	Front Panel Mounting Clip	2
34	42010037	EM Wiring Terminal Block (2 -pins)	1

NO.	Part Code	Part Description	Qty
35	30562050	Display Control Board	1
36	30132080	Relay/Power Control Board 2	1
37	30132118	Main Control Board	1
38	33010089	Capacitor CBB61 1uF 500V	1
39	33010020	Capacitor CBB61 1.5uF 450V	1
40	1501180201	Indoor Fan Motor	1
41	01701014P	Indoor Fan Motor Support Sub-Assy	1
42	02121023P	Side Panel (Right)	1
43	01231079P	Main Partition Wall	1
44	07133001	One Way Check Valve	1
45	01701039	Wall Sleeve Mounting Bracket (Right)	1
46	01231154	Main Partition Wall Assy	1
47	10371213	Outdoor Fan Motor Bracket	1
48	03001491	Capillary Sub-Assy	1
49	40020005	Power Cord 265V 20A	1
50	00101060	Compressor and Fittings	1
51	00180302	Compressor Overload Protector(External)	1
52	03021222	4-Way Valve Assy	1
53	430004022	4-Way Valve	1
54	0120102601P	Base Pan Assy	1
55	07101001	Condensate Drain Valve	1
56	12411904	Foam Condensate Pan	1
57	02121012	Electric Heater Insulation Plate	1
58	4300040026	Solenoid Coil	1
59	0140198212	Electric Control Box Assy	1
60	33010045	Capacitor CBB65 15uF 450V	1
61	42011103	Power Cord Terminal Block	2
62	49010252	Heat Sink/Radiator	1
63	43110269	Transformer	1
64	42010039S	Thermostat Wiring Terminal Block (7 pins)	1
Not Shown	30510092MX	Remote Control	1
Not Shown	22431329	IR Remote Receiver Assy	1
Not Shown	22411023	Discharge Air Grille	1
Not Shown	390000596	Indoor Coil Temperature Sensor	1
Not Shown	76710223	Compressor Grommet	3

**7,000 BTU Heat Pump 265 Volt 20 Amp  
Model Number: ETAC-07HP265V20B**

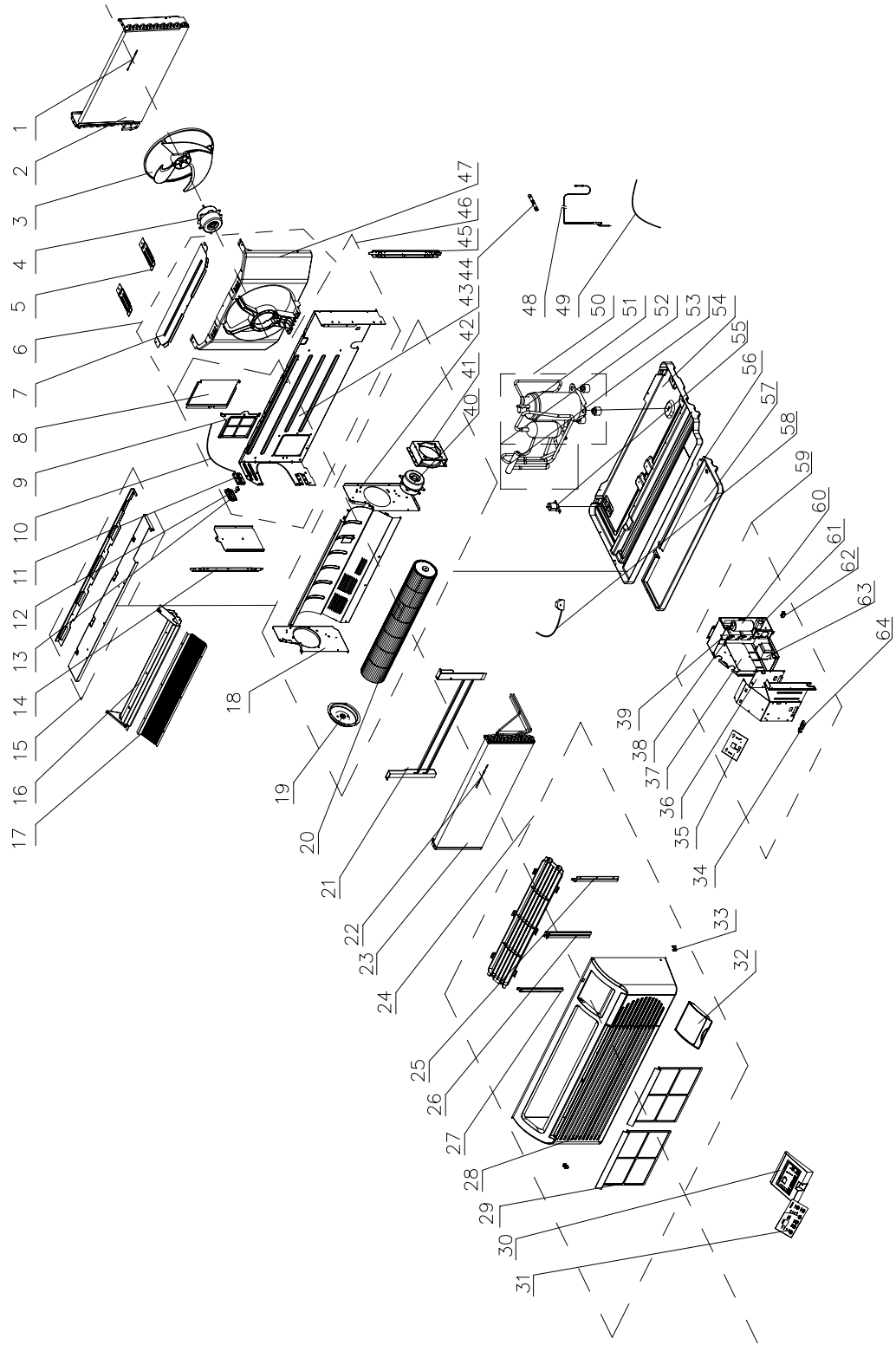


**7,000 BTU Heat Pump 265 Volt 20 Amp  
Model Number: ETAC-07HP265V20B  
Gree Engineering Number: GAA07AB-P3RNB5D**

NO.	Part Code	Part Description	Qty
1	390002073	Outdoor Coil Temperature Sensor	1
2	01101272	Condenser Coil Assy	1
2	01101093	Condenser Coil Assy ( CP Model Only)	1
3	10331004	Outdoor Axial Flow Fan	1
4	1501180305	Outdoor Fan Motor	1
5	01381004	Condenser Shroud Support Bracket	2
6	1037100916	Condenser Shroud	1
7	01251028P	Condenser Shroud Cover	1
8	01441015	Vent Door Sub-Assy	1
9	11121213	Vent Air Filter Sub-Assy	1
10	02121014	Vent Door Cable	1
11	26231155	Lower Vent Lever Cover	1
12	26231153	Vent Hand Lever	1
13	26231154	Upper Vent Lever Cover	1
14	01701038	Wall Sleeve Mounting Bracket (Left)	1
15	01251013	Top Cover Plate Sub-Assy	1
16	02121028P	Discharge Air Deck Sub-Assy	1
17	01471017	Discharge Air Screen	1
18	02121024P	Side Panel (Left)	1
19	26151139	Blower Wheel Bearing Assy (Left)	1
20	10351002	Indoor Blower Wheel (Cross Flow)	1
21	320000203	Electric Heater 3KW 265V	1
22	3900012123	Indoor Ambient Temperature Sensor	1
23	0100106601	Evaporator Coil Assy	1
24	2000147503	Front Panel Assy	1
25	26111139	Indoor Air Filter Support (Right)	1
26	26111140	Indoor Air Filter Support (Center)	1
27	26111141	Indoor Air Filter Support (Left)	1
28	20001673	Front Panel	1
29	ETAC-AIRFIL-TER-2PK	Indoor Air Filter	2
30	20121097	Display Escutcheon	1
31	6306130902	Membrane Keypad	1
32	20121070T	Control Door	1
33	02111013	Front Panel Mounting Clip	2
34	42010037	EM Wiring Terminal Block (2 -pins)	1

NO.	Part Code	Part Description	Qty
35	30562050	Display Control Board	1
36	30132080	Relay/Power Control Board 2	1
37	30132118	Main Control Board	1
38	3301074701	Capacitor CBB61S 1.5uF 450V	1
39	33010089	Capacitor CBB61 1uF 500V	1
40	1501180204	Indoor Fan Motor	1
41	01701014P	Indoor Fan Motor Support Sub-Assy	1
42	02121023P	Side Panel (Right)	1
43	01231079P	Main Partition Wall	1
44	NA	One Way Check Valve	0
45	01701039	Wall Sleeve Mounting Bracket (Right)	1
46	01231154	Main Partition Wall Assy	1
47	10371213	Outdoor Fan Motor Bracket	1
48	03001424	Capillary Sub-Assy	1
49	40020005	Power Cord 265V 20A	1
50	00101060	Compressor and Fittings	1
51	00180302	Compressor Overload Protector(External)	1
52	03021109	4-way Valve Assy	1
53	430004022	4-Way Valve	1
54	0120102601P	Base Pan Assy	1
55	07101001	Condensate Drain Valve	1
56	12411904	Foam Condensate Pan	1
57	02121012	Electric Heater Insulation Plate	1
58	4300040026	Solenoid Coil	1
59	0140198931	Electric Control Box Assy	1
60	33010045	Capacitor CBB65 15uF/450V	1
61	42011103	Power Cord Terminal Block	1
62	49010252	Heat Sink/Radiator	1
63	43110269	Transformer	1
64	42010039S	Thermostat Wiring Terminal Block (7 pins)	1
Not Shown	30510092MX	Remote Control	1
Not Shown	22431329	IR Remote Receiver Assy	1
Not Shown	22411023	Discharge Air Grille	1
Not Shown	390000596	Indoor Coil Temperature Sensor	1
Not Shown	76710223	Compressor Grommet	3

**9,000 BTU Heat Pump 265 Volt 20 Amp  
Model Number: ETAC-09HP265V20A**

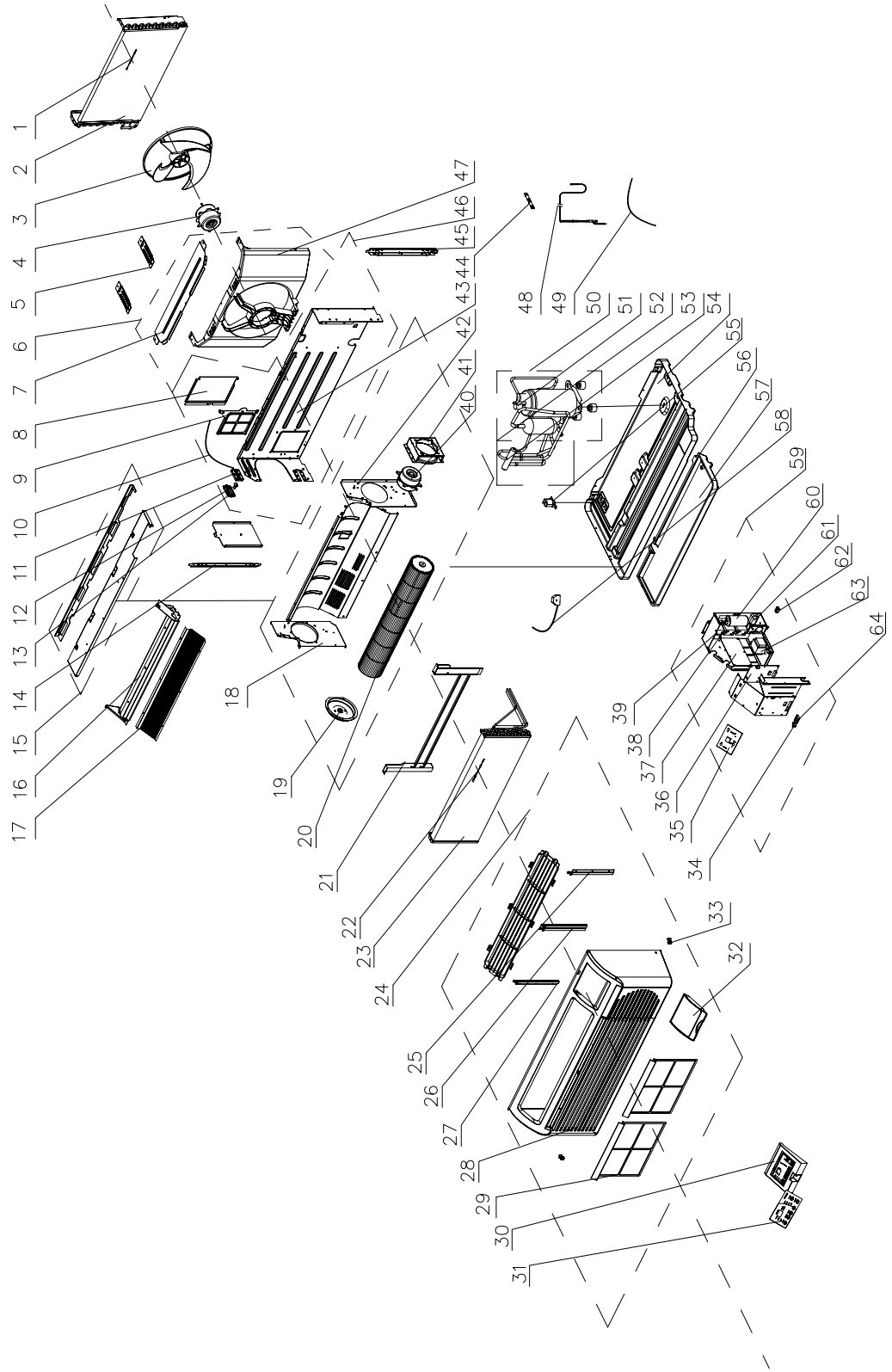


**9,000 BTU Heat Pump 265 Volt 20 Amp  
Model Number: ETAC-09HP265V20A  
Gree Engineering Number: GAA09AB-P3RNB5A**

NO.	Part Code	Part Description	Qty
1	390002073	Outdoor Coil Temperature Sensor	1
2	01101348	Condenser Coil Assy	1
2	1101099	Condenser Coil Assy ( CP Model Only)	1
3	10331004	Outdoor Axial Flow Fan	1
4	150110342	Outdoor Fan Motor	1
5	01381004	Condenser Shroud Support Bracket	2
6	10371215	Condenser Shroud	1
7	01251028P	Condenser Shroud Cover	1
8	01441015	Vent Door Sub-Assy	1
9	11121213	Vent Air Filter Sub-Assy	1
10	02121014	Vent Door Cable	1
11	26231155	Lower Vent Lever Cover	1
12	26231153	Vent Hand Lever	1
13	26231154	Upper Vent Lever Cover	1
14	01701038	Wall Sleeve Mounting Bracket (Left)	1
15	01251013	Top Cover Plate Sub-Assy	1
16	02121028P	Discharge Air Deck Sub-Assy	1
17	01471017	Discharge Air Screen	1
18	02121024P	Side Panel (Left)	1
19	26151139	Blower Wheel Bearing Assy (Left)	1
20	10351002	Indoor Blower Wheel (Cross Flow)	1
21	320000203	Electric Heater 3KW 265V	1
22	3900012123	Indoor Ambient Temperature Sensor	1
23	0100128401	Evaporator Coil Assy	1
24	2000147503	Front Panel Assy	1
25	26111139	Indoor Air Filter Support (Right)	1
26	26111140	Indoor Air Filter Support (Center)	1
27	26111141	Indoor Air Filter Support (Left)	1
28	20001673	Front Panel	1
29	ETAC-AIRFIL-TER-2PK	Indoor Air Filter	2
30	20121097	Display Escutcheon	1
31	6306130902	Membrane Keypad	1
32	20121070T	Control Door	1
33	02111013	Front Panel Mounting Clip	2
34	42010037	EM Wiring Terminal Block (2 - pins)	1

NO.	Part Code	Part Description	Qty
35	30562050	Display Control Board	1
36	30132080	Relay/Power Control Board 2	1
37	30132118	Main Control Board	1
38	33010089	Capacitor CBB61 1uF 500V	1
39	33010025	Capacitor CBB61 2uF 450V	1
40	1501180201	Indoor Fan Motor	1
41	01701014P	Indoor Fan Motor Support Sub-Assy	1
42	02121023P	Side Panel (Right)	1
43	01231079P	Main Partition Wall	1
44	NA	One Way Check Valve	1
45	01701039	Wall Sleeve Mounting Bracket (Right)	1
46	01231154	Main Partition Wall Assy	1
47	10371213	Outdoor Fan Motor Bracket	1
48	03001955	Capillary Sub-Assy	1
49	40020005	Power Cord 265V 20A	1
50	00101052	Compressor	1
51	00181024	Compressor Overload Protector(External)	1
52	03021505	4-Way Valve Assy	1
53	430004022	4-Way Valve	1
54	0120102604P	Chassis Sub-Assy	1
55	07101001	Condensate Drain Valve	1
56	12411904	Foam Condensate Pan	1
57	02121012	Electric Heater Insulation Plate	1
58	4300040026	Solenoid Coil	1
59	0140198214	Electric Control Box Assy	1
60	33010045	Capacitor CBB65 15uF 450V	1
61	42011103	Power Cord Terminal Block	2
62	49010252	Heat Sink/Radiator	1
63	43110269	Transformer	1
64	42010039S	Thermostat Wiring Terminal Block (7 pins)	1
Not Shown	30510092MX	Remote Control	1
Not Shown	22431329	IR Remote Receiver Assy	1
Not Shown	22411023	Discharge Air Grille	1
Not Shown	390000596	Indoor Coil Temperature Sensor	1
Not Shown	76711002	Compressor Grommet	3

**12,000 BTU Heat Pump 265 Volt 20 Amp**  
**Model Number: ETAC-12HP265V20A**

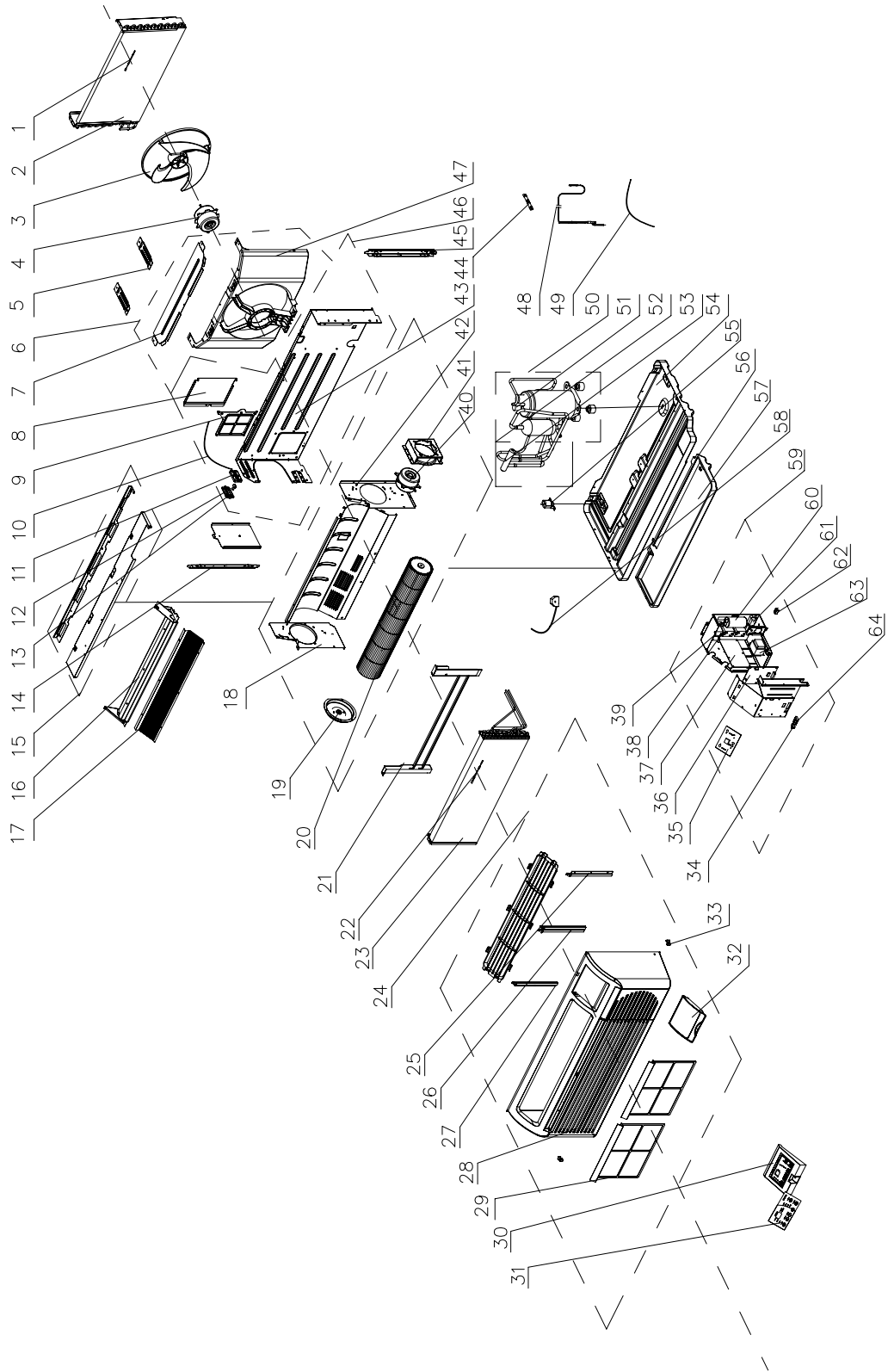




**12,000 BTU Heat Pump 265 Volt 20 Amp  
Model Number: ETAC-12HP265V20A  
Gree Engineering Number: GAA12AB-P3RNB5A**

NO.	Part Code	Part Description	Qty	NO.	Part Code	Part Description	Qty
1	390002073	Outdoor Coil Temperature Sensor	1	36	30132080	Relay/Power Control Board 2	1
2	01101348	Condenser Coil Assy	1	37	30132118	Main Control Board	1
2	01101099	Condenser Coil Assy ( CP Model Only)	1	38	33010020	Capacitor CBB61 1.5 uF 450V	1
3	10331004	Outdoor Axial Flow Fan	1	39	33010026	Capacitor CBB61 2.5 uF 450V	1
4	150110342	Outdoor Fan Motor	1	40	1501180205	Indoor Fan Motor	1
5	01381004	Condenser Shroud Support Bracket	2	41	01701014P	Indoor Fan Motor Support Sub-Assy	1
6	1037100901	Condenser Shroud	1	42	02121023P	Side Panel (Right)	1
7	01251028P	Condenser Shroud Cover	1	43	01231079P	Main Partition Wall	1
8	01441015	Vent Door Sub-Assy	1	44	NA	One Way Check Valve	0
9	11121213	Vent Air Filter Sub-Assy	1	45	01701039	Wall Sleeve Mounting Bracket (Right)	1
10	02121014	Vent Door Cable	1	46	01231154	Main Partition Wall Assy	1
11	26231155	Lower Vent Lever Cover	1	47	10371213	Outdoor Fan Motor Bracket	1
12	26231153	Vent Hand Lever	1	48	03001956	Capillary Sub-Assy	1
13	26231154	Upper Vent Lever Cover	1	49	40020005	Power Cord 265V 20A	1
14	01701038	Wall Sleeve Mounting Bracket (Left)	1	50	00101054	Compressor	1
15	01251013	Top Cover Plate Sub-Assy	1	51	00180151	Compressor Overload Protector(External)	1
16	02121028P	Discharge Air Deck Sub-Assy	1	52	03021012	4-Way Valve Assy	1
17	01471017	Discharge Air Screen	1	53	430004032	4-Way Valve	1
18	02121024P	Side Panel (Left)	1	54	0120102604P	Chassis Sub-Assy	1
19	26151139	Blower Wheel Bearing Assy (Left)	1	55	07101001	Condensate Drain Valve	1
20	10351002	Indoor Blower Wheel (Cross Flow)	1	56	12411904	Foam Condensate Pan	1
21	320000203	Electric Heater 3KW 265V	1	57	02121012	Electric Heater Insulation Plate	1
22	3900012123	Indoor Ambient Temperature Sensor	1	58	4300040026	Solenoid Coil	1
23	0100128501	Evaporator Coil Assy	1	59	0140198906	Electric Control Box Assy	1
24	2000147503	Front Panel Assy	1	60	33000017	Capacitor CBB65 25uF 450V	1
25	26111139	Indoor Air Filter Support (Right)	1	61	42011103	Power Cord Terminal Block	2
26	26111140	Indoor Air Filter Support (Center)	1	62	49010252	Heat Sink/Radiator	1
27	26111141	Indoor Air Filter Support (Left)	1	63	43110269	Transformer	1
28	20001673	Front Panel	1	64	42010039S	Thermostat Wiring Terminal Block (7 pins)	1
29	ETAC-AIRFIL-TER-2PK	Indoor Air Filter	2	Not Shown	390000596	Indoor Coil Temperature Sensor	1
30	2012110802	Display Escutcheon Sub-Assy	1	Not Shown	0122101807	Air Flue Assy	1
31	6306130902	Membrane Keypad	1	Not Shown	76711002	Compressor Grommet	3
32	20121070T	Control Door	1	Not Shown	00181091	Compressor Overload Protector(External)	1
33	02111013	Front Panel Mounting Clip	2	Not Shown	01361014P	Baffle Plate	1
34	42010037	EM Wiring Terminal Block (2 - pins)	1	Not Shown	30510092MX	Remote Control	1
35	30562050	Display Control Board	1	Not Shown	22431329	IR Remote Receiver Assy	1
				Not Shown	22411023	Discharge Air Grille	1

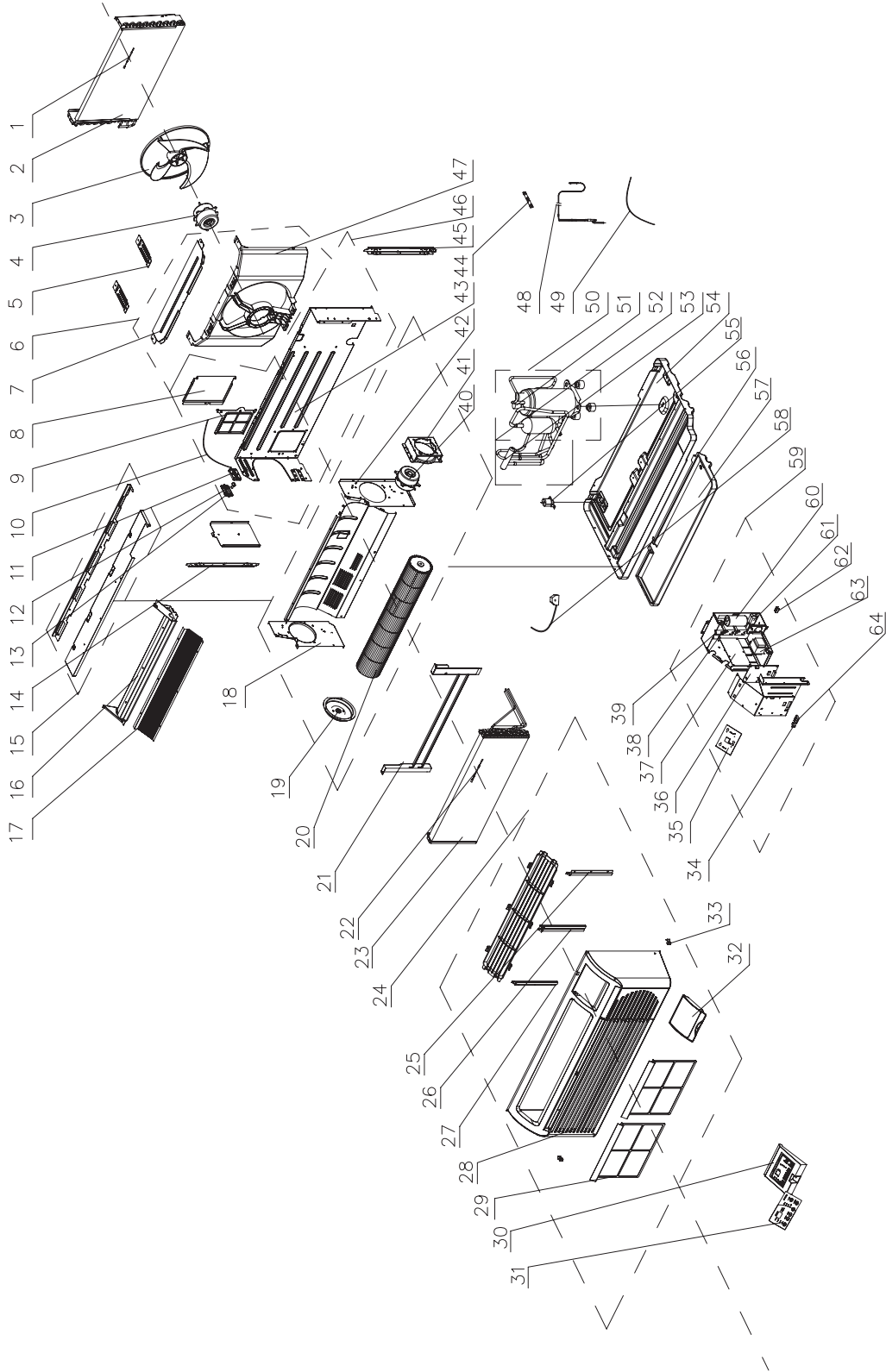
**12,000 BTU Heat Pump 265 Volt 30 Amp  
Model Number: ETAC-12HP265V30A**



**12,000 BTU Heat Pump 265 Volt 30 Amp  
Model Number: ETAC-12HP265V30A  
Gree Engineering Number: GAA12AB-P3RNB5B**

NO.	Part Code	Part Description	Qty	NO.	Part Code	Part Description	Qty
1	390002073	Outdoor Coil Temperature Sensor	1	36	30132082	Relay/Power Control Board 2	1
2	01101348	Condenser Coil Assy	1	37	30132118	Main Control Board	1
2	01101099	Condenser Coil Assy ( CP Model Only)	1	38	33010020	Capacitor CBB61 1.5uF 450V	1
3	10331004	Outdoor Axial Flow Fan	1	39	33010026	Capacitor CBB61 2.5uF 450V	1
4	150110342	Outdoor Fan Motor	1	40	1501180205	Indoor Fan Motor	1
5	01381004	Condenser Shroud Support Bracket	2	41	01701014P	Indoor Fan Motor Support Sub-Assy	1
6	10371215	Condenser Shroud	1	42	02121023P	Side Panel (Right)	1
7	01251028P	Condenser Shroud Cover	1	43	01231079P	Main Partition Wall	1
8	01441015	Vent Door Sub-Assy	1	44	NA	One Way Check Valve	0
9	11121213	Vent Air Filter Sub-Assy	1	45	01701039	Wall Sleeve Mounting Bracket (Right)	1
10	02121014	Vent Door Cable	1	46	01231154	Main Partition Wall Assy	1
11	26231155	Lower Vent Lever Cover	1	47	10371213	Outdoor Fan Motor Bracket	1
12	26231153	Vent Hand Lever	1	48	03001956	Capillary Sub-Assy	1
13	26231154	Upper Vent Lever Cover	1	49	4002000501	Power Cord 265V 30A	1
14	01701038	Wall Sleeve Mounting Bracket (Left)	1	50	00101054	Compressor	1
15	01251013	Top Cover Plate Sub-Assy	1	51	00180151	Compressor Overload Protector(External)	1
16	02121028P	Discharge Air Deck Sub-Assy	1	52	03021012	4-Way Valve Assy	1
17	01471017	Discharge Air Screen	1	53	430004032	4-Way Valve	1
18	02121024P	Side Panel (Left)	1	54	0120102604P	Chassis Sub-Assy	1
19	26151139	Blower Wheel Bearing Assy (Left)	1	55	07101001	Condensate Drain Valve	1
20	10351002	Indoor Blower Wheel (Cross Flow)	1	56	12411904	Foam Condensate Pan	1
21	320000202	Electric Heater 5KW 265V	1	57	02121012	Electric Heater Insulation Plate	1
22	3900012123	Indoor Ambient Temperature Sensor	1	58	4300040026	Solenoid Coil	1
23	0100128501	Evaporator Coil Assy	1	59	0140198218	Electric Control Box Assy	1
24	2000147503	Front Panel Assy	1	60	33000017	Capacitor CBB65 25uF 450V	1
25	26111139	Indoor Air Filter Support (Right)	1	61	42011103	Power Cord Terminal Block	2
26	26111140	Indoor Air Filter Support (Center)	1	62	49010252	Heat Sink/Radiator	1
27	26111141	Indoor Air Filter Support (Left)	1	63	43110269	Transformer	1
28	20001673	Front Panel	1	64	42010039S	Thermostat Wiring Terminal Block (7 pins)	1
29	ETAC-AIRFIL-TER-2PK	Indoor Air Filter	2	Not Shown	00181091	Compressor Overload Protector(External)	1
30	20121097	Display Escutcheon	1	Not Shown	76711002	Compressor Grommet	3
31	6306130902	Membrane Keypad	1	Not Shown	01361014P	Baffle Plate	1
32	20121070T	Control Door	1	Not Shown	390000596	Indoor Coil Temperature Sensor	1
33	02111013	Front Panel Mounting Clip	2	Not Shown	0122101807	Air Flue Assy	1
34	42010037	EM Wiring Terminal Block (2 - pins)	1	Not Shown	30510092MX	Remote Control	1
35	30562050	Display Control Board	1	Not Shown	22431329	IR Remote Receiver Assy	1
				Not Shown	22411023	Discharge Air Grille	1

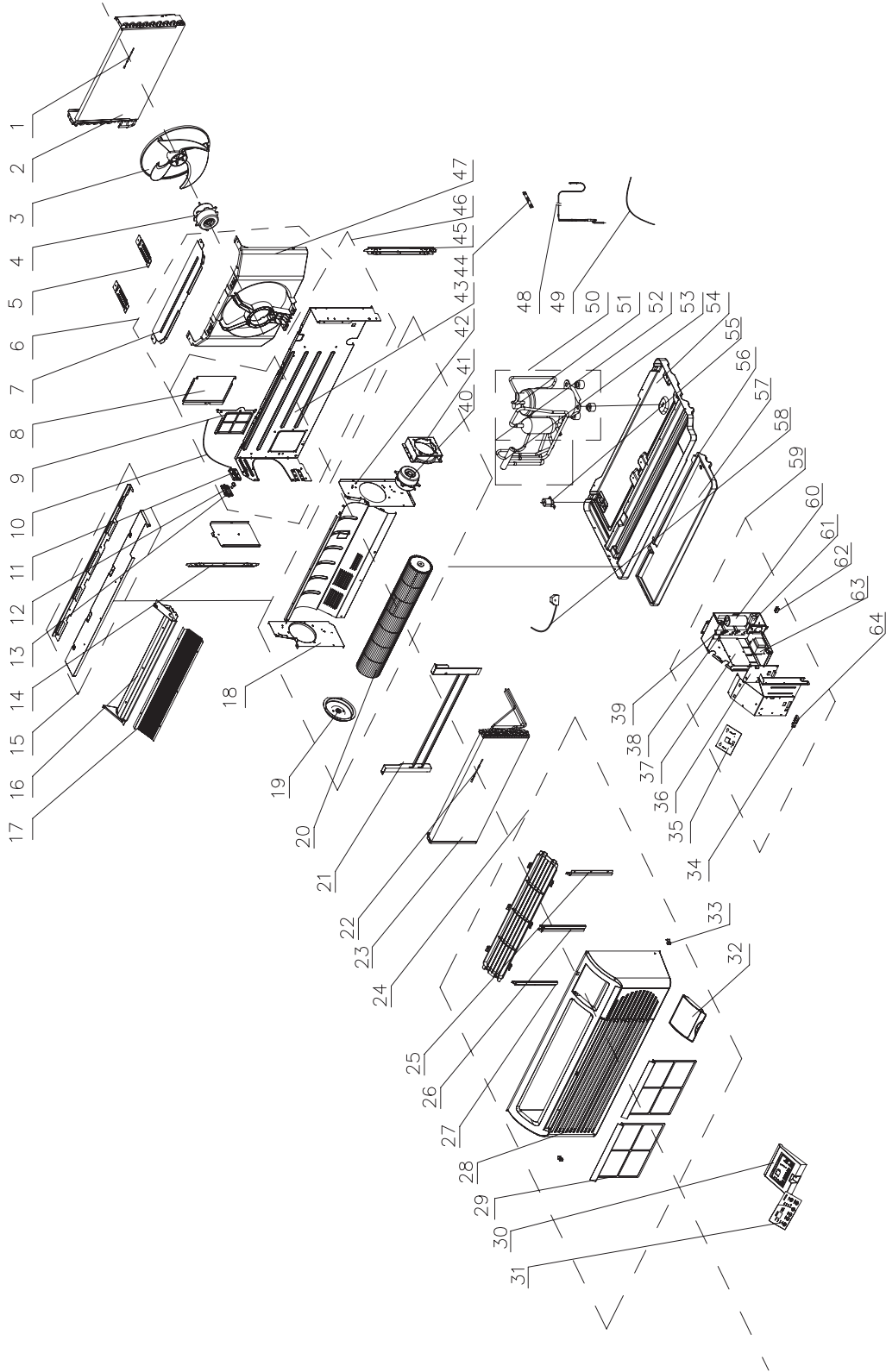
**15,000 BTU Heat Pump 265 Volt 20 Amp  
Model Number: ETAC-15HP265V20A**



**15,000 BTU Heat Pump 265 Volt 20 Amp  
Model Number: ETAC-15HP265V20A  
Gree Engineering Number: GAA15AB-P3RNB5A**

NO.	Part Code	Part Description	Qty	NO.	Part Code	Part Description	Qty
1	390002073	Outdoor Coil Temperature Sensor	1	36	30132080	Relay/Power Control Board 2	1
2	01101191	Condenser Coil Assy	1	37	30132118	Main Control Board	1
2	0110119102	Condenser Coil Assy ( CP Model Only)	1	38	33010020	Capacitor CBB61 1.5uF 450V	1
3	10331004	Outdoor Axial Flow Fan	1	39	33010026	Capacitor CBB61 2.5uF 450V	1
4	150110342	Outdoor Fan Motor	1	40	1501180205	Indoor Fan Motor	1
5	01381004	Condenser Shroud Support Bracket	2	41	01701014P	Indoor Fan Motor Support Sub-Assy	1
6	1037100901	Condenser Shroud	1	42	02121023P	Side Panel (Right)	1
7	01251028P	Condenser Shroud Cover	1	43	01231079P	Main Partition Wall	1
8	01441015	Vent Door Sub-Assy	1	44	07133001	One Way Check Valve	1
9	11121213	Vent Air Filter Sub-Assy	1	45	01701039	Wall Sleeve Mounting Bracket (Right)	1
10	02121014	Vent Door Cable	1	46	01231154	Main Partition Wall Assy	1
11	26231155	Lower Vent Lever Cover	1	47	10371213	Outdoor Fan Motor Bracket	1
12	26231153	Vent Hand Lever	1	48	03001972	Capillary Sub-Assy	1
13	26231154	Upper Vent Lever Cover	1	49	40020005	Power Cord 265V 20A	1
14	01701038	Wall Sleeve Mounting Bracket (Left)	1	50	00101091	Compressor and Fittings	1
15	01251013	Top Cover Plate Sub-Assy	1	51	00180144	Compressor Overload Protector(External)	1
16	02121028P	Discharge Air Deck Sub-Assy	1	52	03021187	4-way Valve Assy	1
17	01471017	Discharge Air Screen	1	53	430004032	4-Way Valve	1
18	02121024P	Side Panel (Left)	1	54	01201026P	Base Pan Assy	1
19	26151139	Blower Wheel Bearing Assy (Left)	1	55	07101001	Condensate Drain Valve	1
20	10351002	Indoor Blower Wheel (Cross Flow)	1	56	12411904	Foam Condensate Pan	1
21	320000203	Electric Heater 3KW 265V	1	57	02121012	Electric Heater Insulation Plate	1
22	3900012123	Indoor Ambient Temperature Sensor	1	58	4300040026	Solenoid Coil	1
23	0100128501	Evaporator Coil Assy	1	59	02601028	Electric Control Box Assy	1
24	2000147503	Front Panel Assy	1	60	33000081	Capacitor CBB65 25uF 450V	1
25	26111139	Indoor Air Filter Support (Right)	1	61	42011103	Power Cord Terminal Block	2
26	26111140	Indoor Air Filter Support (Center)	1	62	49010252	Heat Sink/Radiator	1
27	26111141	Indoor Air Filter Support (Left)	1	63	43110269	Transformer	1
28	20001673	Front Panel	1	64	42010039S	Thermostat Wiring Terminal Block (7 pins)	1
29	ETAC-AIRFIL-TER-2PK	Indoor Air Filter	2	Not Shown	390000596	Indoor Coil Temperature Sensor	1
30	2012110802	Display Escutcheon Sub-Assy	1	Not Shown	01361014P	Baffle Plate	1
31	6306130902	Membrane Keypad	1	Not Shown	0122101807	Air Flue Assy	1
32	20121070T	Control Door	1	Not Shown	76710216	Compressor Grommet	3
33	02111013	Front Panel Mounting Clip	2	Not Shown	30510092MX	Remote Control	1
34	42010037	EM Wiring Terminal Block (2 -pins)	1	Not Shown	22431329	IR Remote Receiver Assy	1
35	30562050	Display Control Board	1	Not Shown	22411023	Discharge Air Grille	1

**15,000 BTU Heat Pump 265 Volt 20 Amp**  
**Model Number: ETAC-15HP265V20B**

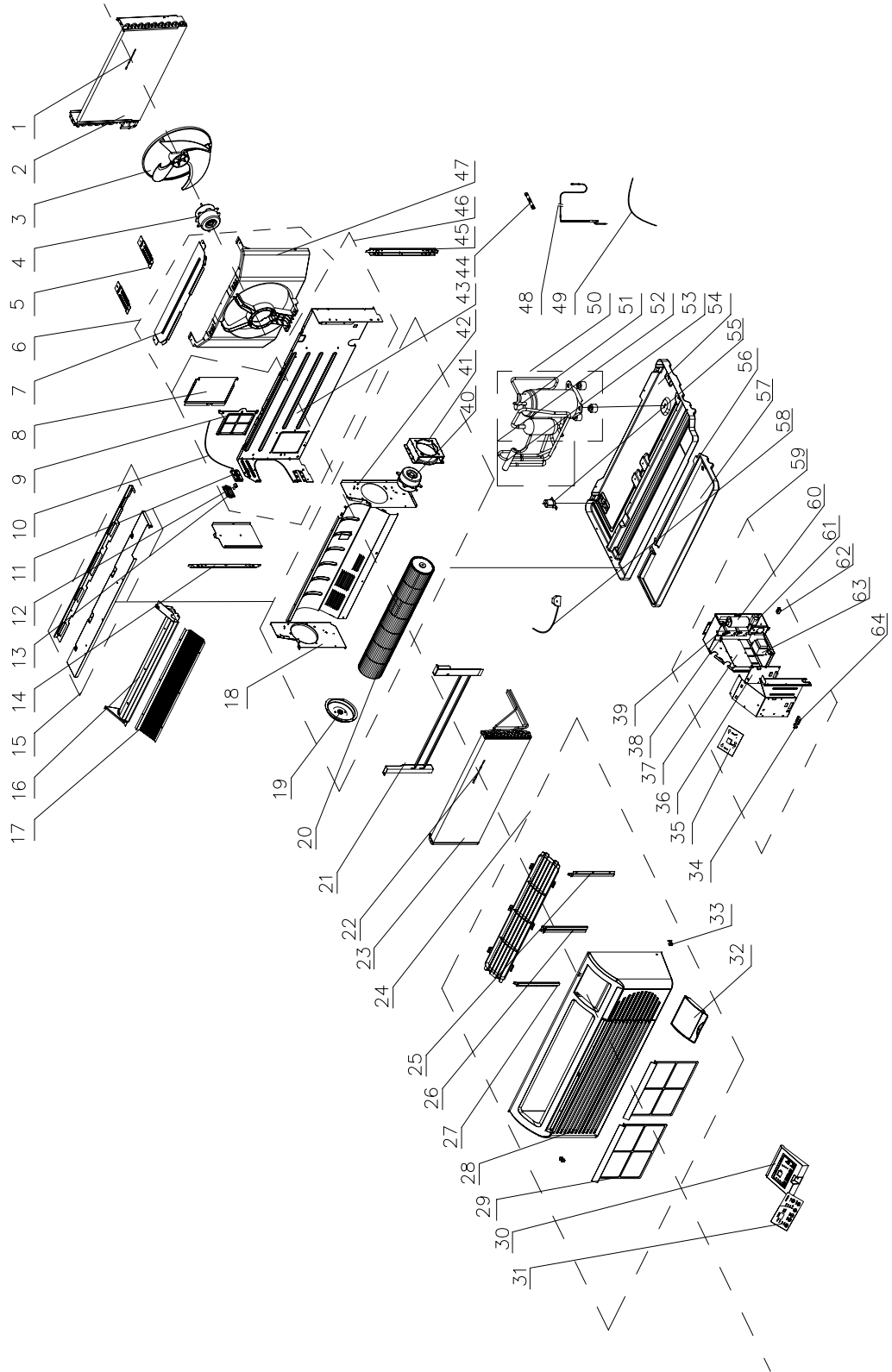


**15,000 BTU Heat Pump 265 Volt 20 Amp  
 Model Number: ETAC-15HP265V20B  
 Gree Engineering Number: GAA15AB-P3RNB5D**

NO.	Part Code	Part Description	Qty
1	390002073	Outdoor Coil Temperature Sensor	1
2	01101191	Condenser Coil Assy	1
2	0110119103	Condenser Coil Assy ( CP Model Only)	1
3	10331004	Outdoor Axial Flow Fan	1
4	1501180302	Outdoor Fan Motor	1
5	01381004	Condenser Shroud Support Bracket	2
6	1037100917	Condenser Shroud	1
7	01251028P	Condenser Shroud Cover	1
8	01441015	Vent Door Sub-Assy	1
9	11121213	Vent Air Filter Sub-Assy	1
10	02121014	Vent Door Cable	1
11	26231155	Lower Vent Lever Cover	1
12	26231153	Vent Hand Lever	1
13	26231154	Upper Vent Lever Cover	1
14	01701038	Wall Sleeve Mounting Bracket (Left)	1
15	01251013	Top Cover Plate Sub-Assy	1
16	02121028P	Discharge Air Deck Sub-Assy	1
17	01471017	Discharge Air Screen	1
18	02121024P	Side Panel (Left)	1
19	26151139	Blower Wheel Bearing Assy (Left)	1
20	10351002	Indoor Blower Wheel (Cross Flow)	1
21	320000203	Electric Heater 3KW 265V	1
22	3900012123	Indoor Ambient Temperature Sensor	1
23	0100128501	Evaporator Coil Assy	1
24	2000147503	Front Panel Assy	1
25	26111139	Indoor Air Filter Support (Right)	1
26	26111140	Indoor Air Filter Support (Center)	1
27	26111141	Indoor Air Filter Support (Left)	1
28	20001673	Front Panel	1
29	ETAC-AIRFIL-TER-2PK	Indoor Air Filter	2
30	20121097	Display Escutcheon	1
31	6306130902	Membrane Keypad	1
32	20121070T	Control Door	1
33	02111013	Front Panel Mounting Clip	2
34	42010037	EM Wiring Terminal Block (2 -pins)	1

NO.	Part Code	Part Description	Qty
35	30562050	Display Control Board	1
36	30132080	Relay/Power Control Board 2	1
37	30132118	Main Control Board	1
38	3301074701	Capacitor CBB61S 1.5uF 450v	1
39	3301074710	Capacitor CBB61 2.5uF 450v	1
40	1501180205	Indoor Fan Motor	1
41	01701014P	Indoor Fan Motor Support Sub-Assy	1
42	02121023P	Side Panel (Right)	1
43	01231079P	Main Partition Wall	1
44	NA	One Way Check Valve	0
45	01701039	Wall Sleeve Mounting Bracket (Right)	1
46	01231154	Main Partition Wall Assy	1
47	10371213	Outdoor Fan Motor Bracket	1
48	03001754	Capillary Sub-Assy	1
49	40020005	Power Cord 265V 20A	1
50	00101234	Compressor and Fittings	1
51	00180363	Compressor Overload Protector(External)	1
52	03021187	4-way Valve Assy	1
53	430004032	4-Way Valve	1
54	01201026P	Base Pan Assy	1
55	07101001	Condensate Drain Valve	1
56	12411904	Foam Condensate Pan	1
57	02121012	Electric Heater Insulation Plate	1
58	4300040026	Solenoid Coil	1
59	0140198932	Electric Control Box Assy	1
60	33000081	Capacitor 25uF 450V	1
61	42011103	Power Cord Terminal Block	1
62	49010252	Heat Sink/Radiator	1
63	43110269	Transformer	1
64	42010039S	Thermostat Wiring Terminal Block (7 pins)	1
Not Shown	30510092MX	Remote Control	1
Not Shown	22431329	IR Remote Receiver Assy	1
Not Shown	22411023	Discharge Air Grille	1
Not Shown	390000596	Indoor Coil Temperature Sensor	1
Not Shown	76710216	Compressor Grommet	3

**15,000 BTU Heat Pump 265 Volt 30 Amp**  
**Model Number: ETAC-15HP265V30A**



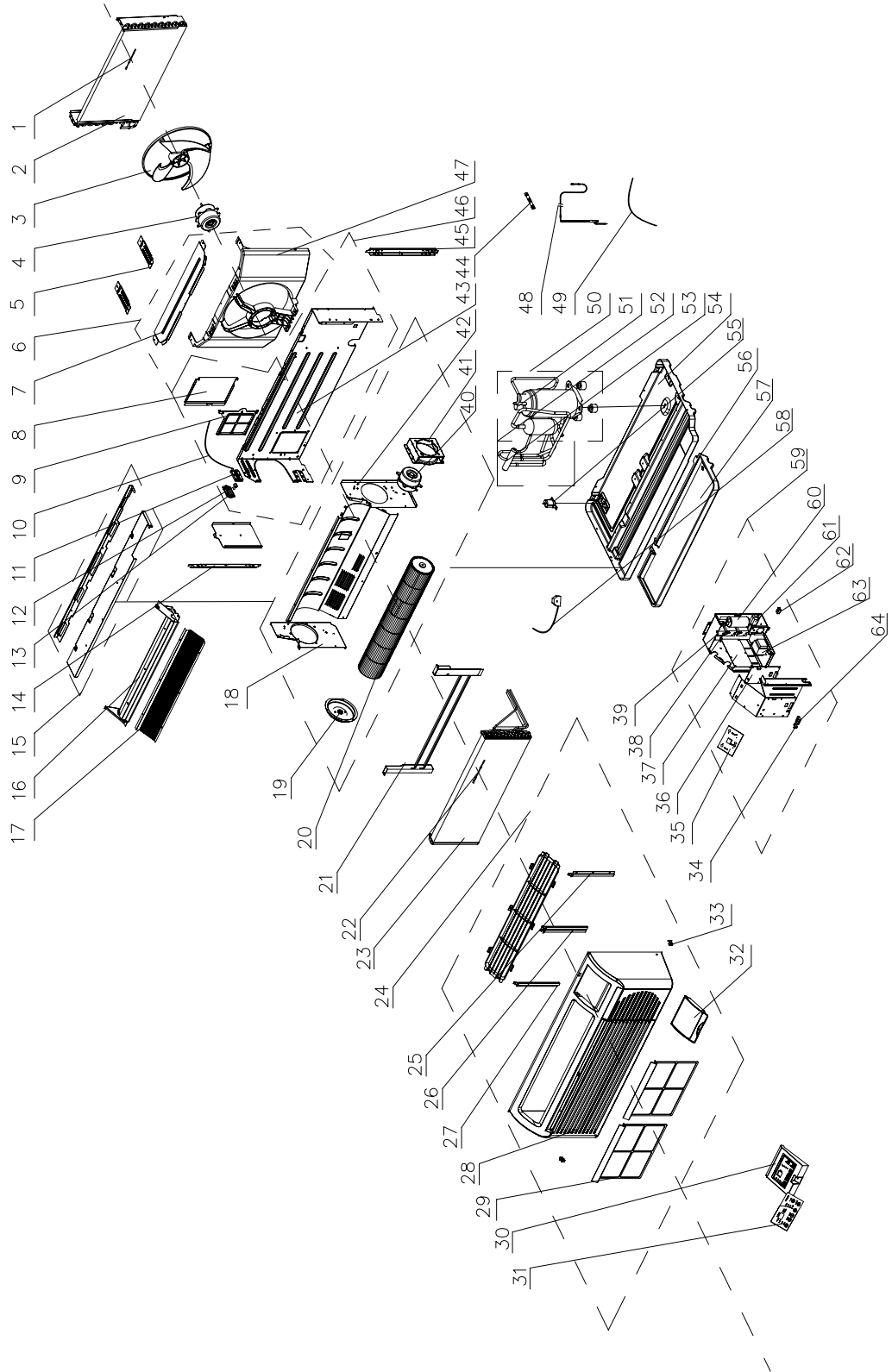


**15,000 BTU Heat Pump 265 Volt 30 Amp  
Model Number: ETAC-15HP265V30A  
Gree Engineering Number: GAA15AB-P3RNB5B**

NO.	Part Code	Part Description	Qty
1	390002073	Outdoor Coil Temperature Sensor	1
2	01101191	Condenser Coil Assy	1
2	0110119102	Condenser Coil Assy ( CP Model Only)	1
3	10331004	Outdoor Axial Flow Fan	1
4	150110342	Outdoor Fan Motor	1
5	01381004	Condenser Shroud Support Bracket	2
6	10371215	Condenser Shroud	1
7	01251028P	Condenser Shroud Cover	1
8	01441015	Vent Door Sub-Assy	1
9	11121213	Vent Air Filter Sub-Assy	1
10	02121014	Vent Door Cable	1
11	26231155	Lower Vent Lever Cover	1
12	26231153	Vent Hand Lever	1
13	26231154	Upper Vent Lever Cover	1
14	01701038	Wall Sleeve Mounting Bracket (Left)	1
15	01251013	Top Cover Plate Sub-Assy	1
16	02121028P	Discharge Air Deck Sub-Assy	1
17	01471017	Discharge Air Screen	1
18	02121024P	Side Panel (Left)	1
19	26151139	Blower Wheel Bearing Assy (Left)	1
20	10351002	Indoor Blower Wheel (Cross Flow)	1
21	320000202	Electric Heater 5KW 265V	1
22	3900012123	Indoor Ambient Temperature Sensor	1
23	0100128501	Evaporator Coil Assy	1
24	2000147503	Front Panel Assy	1
25	26111139	Indoor Air Filter Support (Right)	1
26	26111140	Indoor Air Filter Support (Center)	1
27	26111141	Indoor Air Filter Support (Left)	1
28	20001673	Front Panel	1
29	ETAC-AIRFIL-TER-2PK	Indoor Air Filter	2
30	20121097	Display Escutcheon	1
31	6306130902	Membrane Keypad	1
32	20121070T	Control Door	1
33	02111013	Front Panel Mounting Clip	2
34	42010037	EM Wiring Terminal Block (2 - pins)	1
35	30562050	Display Control Board	1

NO.	Part Code	Part Description	Qty
36	30132082	Relay/Power Control Board 2	1
37	30132118	Main Control Board	1
38	33010020	Capacitor CBB61 1.5uF 450V	1
39	33010026	Capacitor CBB61 2.5uF 450V	1
40	1501180205	Indoor Fan Motor	1
41	01701014P	Indoor Fan Motor Support Sub-Assy	1
42	02121023P	Side Panel (Right)	1
43	01231079P	Main Partition Wall	1
44	07133001	One Way Check Valve	1
45	01701039	Wall Sleeve Mounting Bracket (Right)	1
46	01231154	Main Partition Wall Assy	1
47	10371213	Outdoor Fan Motor Bracket	1
48	03001972	Capillary Sub-Assy	1
49	4002000501	Power Cord 265V 30A	1
50	00101091	Compressor and Fittings	1
51	00180144	Compressor Overload Protector(External)	1
52	03021187	4-way Valve Assy	1
53	430004032	4-Way Valve	1
54	01201026P	Base Pan Assy	1
55	07101001	Condensate Drain Valve	1
56	12411904	Foam Condensate Pan	1
57	02121012	Electric Heater Insulation Plate	1
58	4300040026	Solenoid Coil	1
59	0140198210	Electric Control Box Assy	1
60	33000017	Capacitor CBB65 25uF 450V	1
61	42011103	Power Cord Terminal Block	2
62	49010252	Heat Sink/Radiator	1
63	43110269	Transformer	1
64	42010039S	Thermostat Wiring Terminal Block (7 pins)	1
Not Shown	01361014P	Baffle Plate	1
Not Shown	76710216	Compressor Grommet	3
Not Shown	390000596	Indoor Coil Temperature Sensor	1
Not Shown	0122101807	Air Flue Assy	1
Not Shown	30510092MX	Remote Control	1
Not Shown	22431329	IR Remote Receiver Assy	1
Not Shown	22411023	Discharge Air Grille	1

**15,000 BTU Heat Pump 265 Volt 30 Amp**  
**Model Number: ETAC-15HP265V30B**



**15,000 BTU Heat Pump 265 Volt 30 Amp  
Model Number: ETAC-15HP265V30B  
Gree Engineering Number: GAA15AB-P3RNB5E**

NO.	Part Code	Part Description	Qty
1	390002073	Outdoor Coil Temperature Sensor	1
2	01101191	Condenser Coil Assy	1
2	0110119103	Condenser Coil Assy ( CP Model Only)	1
3	10331004	Outdoor Axial Flow Fan	1
4	1501180302	Outdoor Fan Motor	1
5	01381004	Condenser Shroud Support Bracket	2
6	1037100917	Condenser Shroud	1
7	01251028P	Condenser Shroud Cover	1
8	01441015	Vent Door Sub-Assy	1
9	11121213	Vent Air Filter Sub-Assy	1
10	02121014	Vent Door Cable	1
11	26231155	Lower Vent Lever Cover	1
12	26231153	Vent Hand Lever	1
13	26231154	Upper Vent Lever Cover	1
14	01701038	Wall Sleeve Mounting Bracket (Left)	1
15	01251013	Top Cover Plate Sub-Assy	1
16	02121028P	Discharge Air Deck Sub-Assy	1
17	01471017	Discharge Air Screen	1
18	02121024P	Side Panel (Left)	1
19	26151139	Blower Wheel Bearing Assy (Left)	1
20	10351002	Indoor Blower Wheel (Cross Flow)	1
21	320000202	Electric Heater 5KW 265V	1
22	3900012123	Indoor Ambient Temperature Sensor	1
23	0100128501	Evaporator Coil Assy	1
24	2000147503	Front Panel Assy	1
25	26111139	Indoor Air Filter Support (Right)	1
26	26111140	Indoor Air Filter Support (Center)	1
27	26111141	Indoor Air Filter Support (Left)	1
28	20001673	Front Panel	1
29	ETAC-AIRFIL-TER-2PK	Indoor Air Filter	2
30	20121097	Display Escutcheon	1
31	6306130902	Membrane Keypad	1
32	20121070T	Control Door	1
33	02111013	Front Panel Mounting Clip	2
34	42010037	EM Wiring Terminal Block (2 -pins)	1

NO.	Part Code	Part Description	Qty
35	30562050	Display Control Board	1
36	30132082	Relay/Power Control Board 2	1
37	30132118	Main Control Board	1
38	3301074701	Capacitor CBB61S 1.5uF 450v	1
39	3301074710	Capacitor CBB61 2.5uF 450v	1
40	1501180205	Indoor Fan Motor	1
41	01701014P	Indoor Fan Motor Support Sub-Assy	1
42	02121023P	Side Panel (Right)	1
43	01231079P	Main Partition Wall	1
44	NA	One Way Check Valve	0
45	01701039	Wall Sleeve Mounting Bracket (Right)	1
46	01231154	Main Partition Wall Assy	1
47	10371213	Outdoor Fan Motor Bracket	1
48	03001754	Capillary Sub-Assy	1
49	4002000501	Power Cord 265V 30A	1
50	00101234	Compressor and Fittings	1
51	00180363	Compressor Overload Protector(External)	1
52	03021187	4-way Valve Assy	1
53	430004032	4-Way Valve	1
54	01201026P	Base Pan Assy	1
55	07101001	Condensate Drain Valve	1
56	12411904	Foam Condensate Pan	1
57	02121012	Electric Heater Insulation Plate	1
58	4300040026	Solenoid Coil	1
59	0140198933	Electric Control Box Assy	1
60	33000081	Capacitor 25uF 450v	1
61	42011103	Power Cord Terminal Block	1
62	49010252	Heat Sink/Radiator	1
63	43110269	Transformer	1
64	42010039S	Thermostat Wiring Terminal Block (7 pins)	1
Not Shown	30510092MX	Remote Control	1
Not Shown	22431329	IR Remote Receiver Assy	1
Not Shown	22411023	Discharge Air Grille	1
Not Shown	390000596	Indoor Coil Temperature Sensor	1
Not Shown	76710216	Compressor Grommet	3

Cat No:GREE\_ETAC\_PARTS\_HP\_230V\_HC\_265V\_070119