

Ductfree Mini-Split Systems
9,000 - 24,000 Btuh



evō+

Replacement Parts Catalog

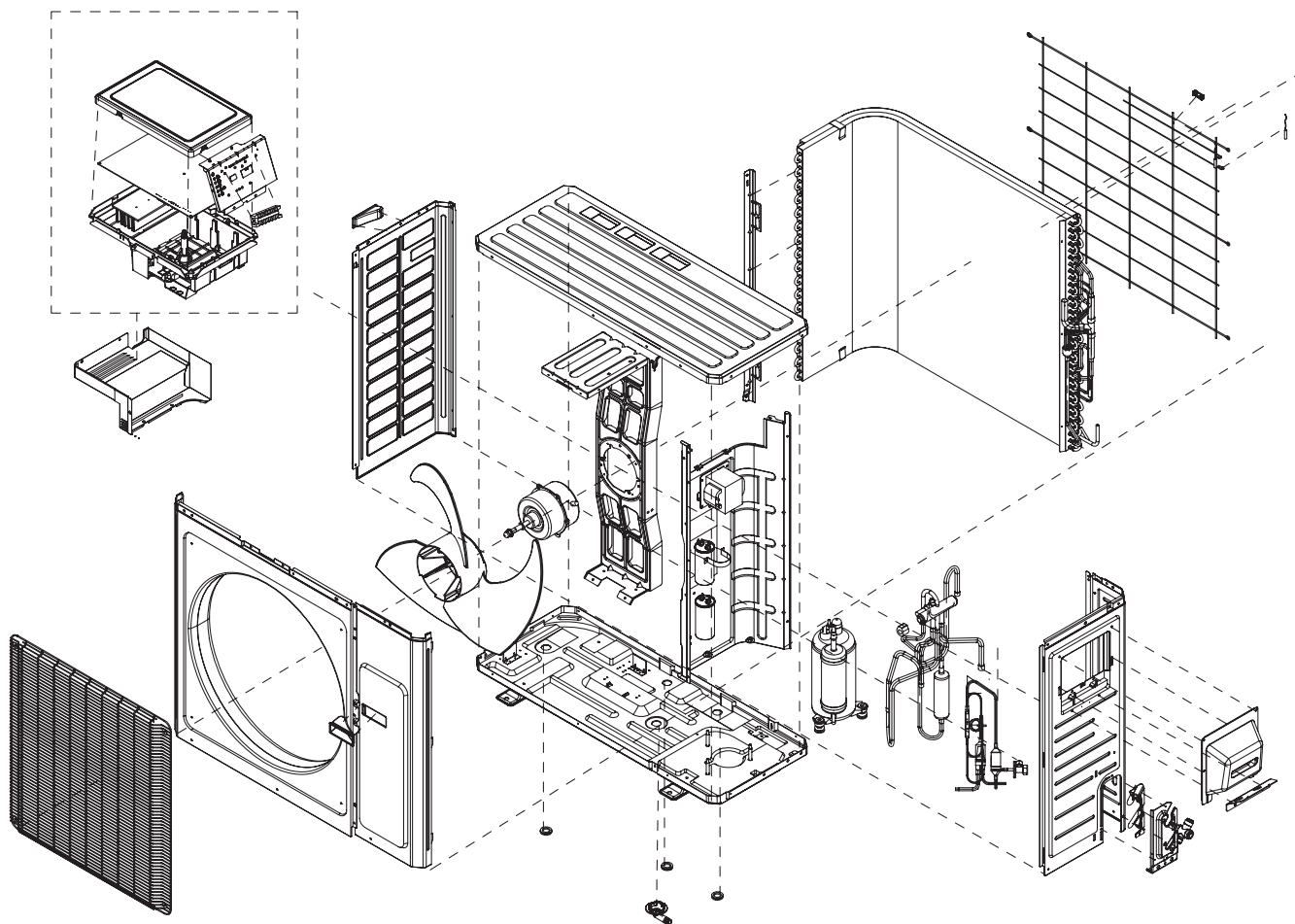
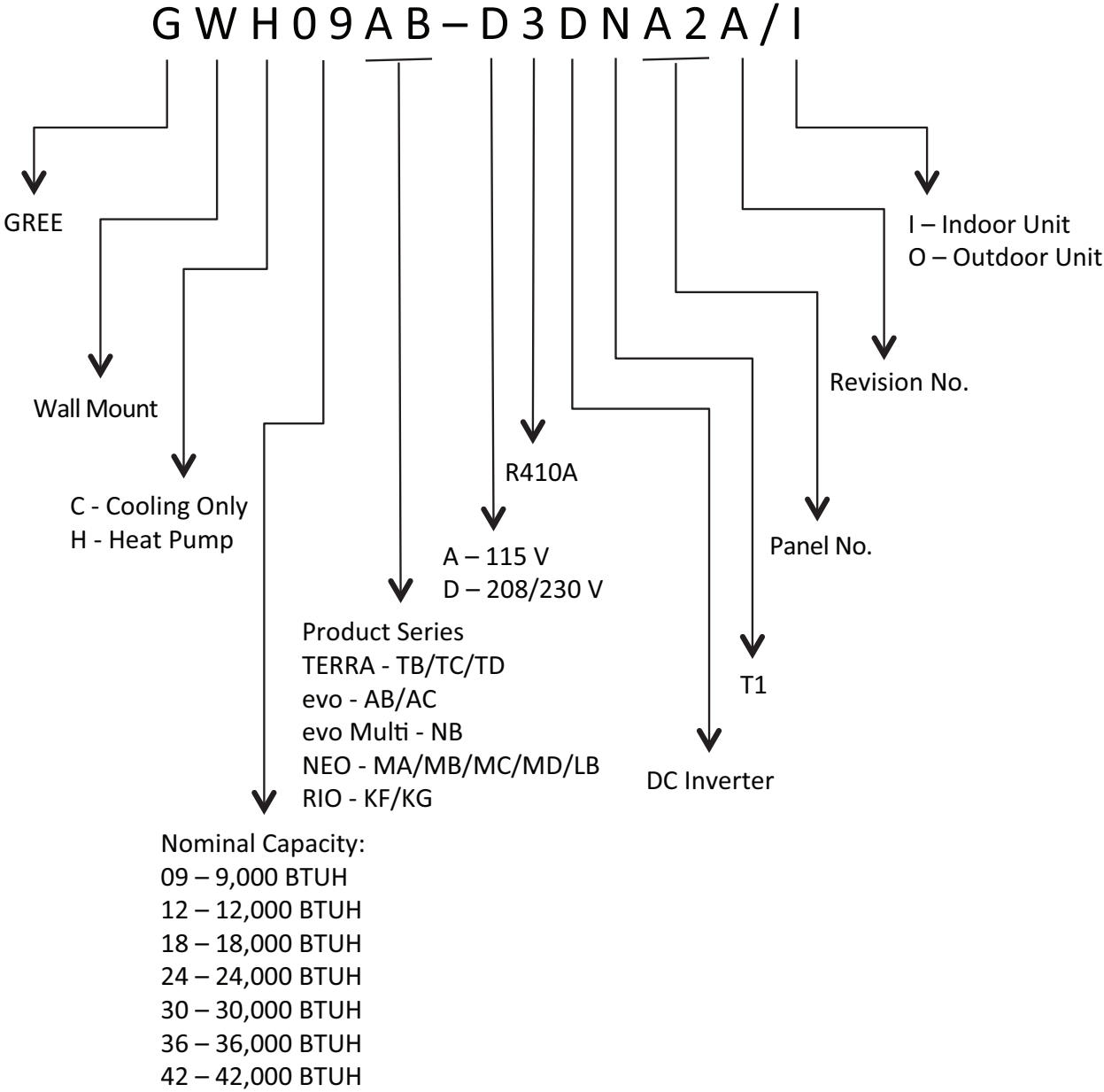


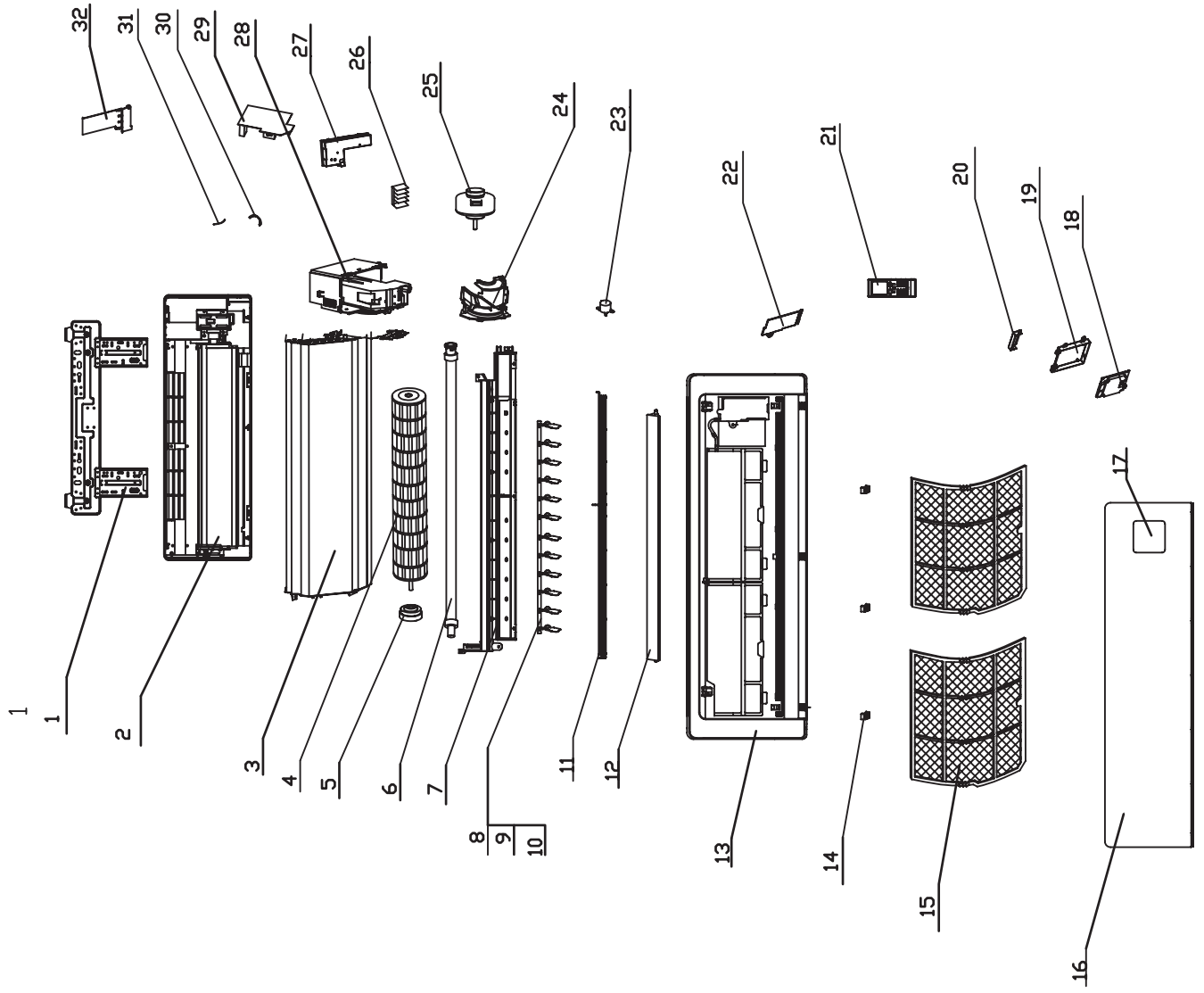
Table of Contents

Model Number	Description	Page
GWH09AB-A3DNA2B/I	Heat Pump 9,000 Btuh115v Indoor Unit	2-3
GWH09AB-A3DNA2B/O	Heat Pump 9,000 Btuh115v Outdoor Unit.	4-5
GWH09AB-D3DNA2D/I	Heat Pump 9,000 Btuh208/230v Indoor Unit	6-7
GWH09AB-D3DNA2D/O	Heat Pump 9,000 Btuh208/230v Outdoor Unit	8-9
GWH12AB-A3DNA2B/I	Heat Pump 12,000 Btuh115v Indoor Unit	10-11
GWH12AB-A3DNA2B/O	Heat Pump 12,000 Btuh115v Outdoor Unit.	12-13
GWH12AB-D3DNA2D/I	Heat Pump 12,000 Btuh208/230v Indoor Unit	14-15
GWH12AB-D3DNA2D/O	Heat Pump 12,000 Btuh208/230v Outdoor Unit	16-17
GWH18AC-D3DNA2D/I	Heat Pump 18,000 Btuh208/230v Indoor Unit	18-19
GWH18AC-D3DNA2D/O	Heat Pump 18,000 Btuh208/230v Outdoor Unit	20-21
GWH24AC-D3DNA2D/I	Heat Pump 24,000 Btuh208/230v Indoor Unit	22-23
GWH24AC-D3DNA2D/O	Heat Pump 24,000 Btuh208/230v Outdoor Unit	24-25

Product Catalog Number-Nomenclature



GWH09AB-A3DNA2B/I 9,000 Btuh115v Indoor Unit

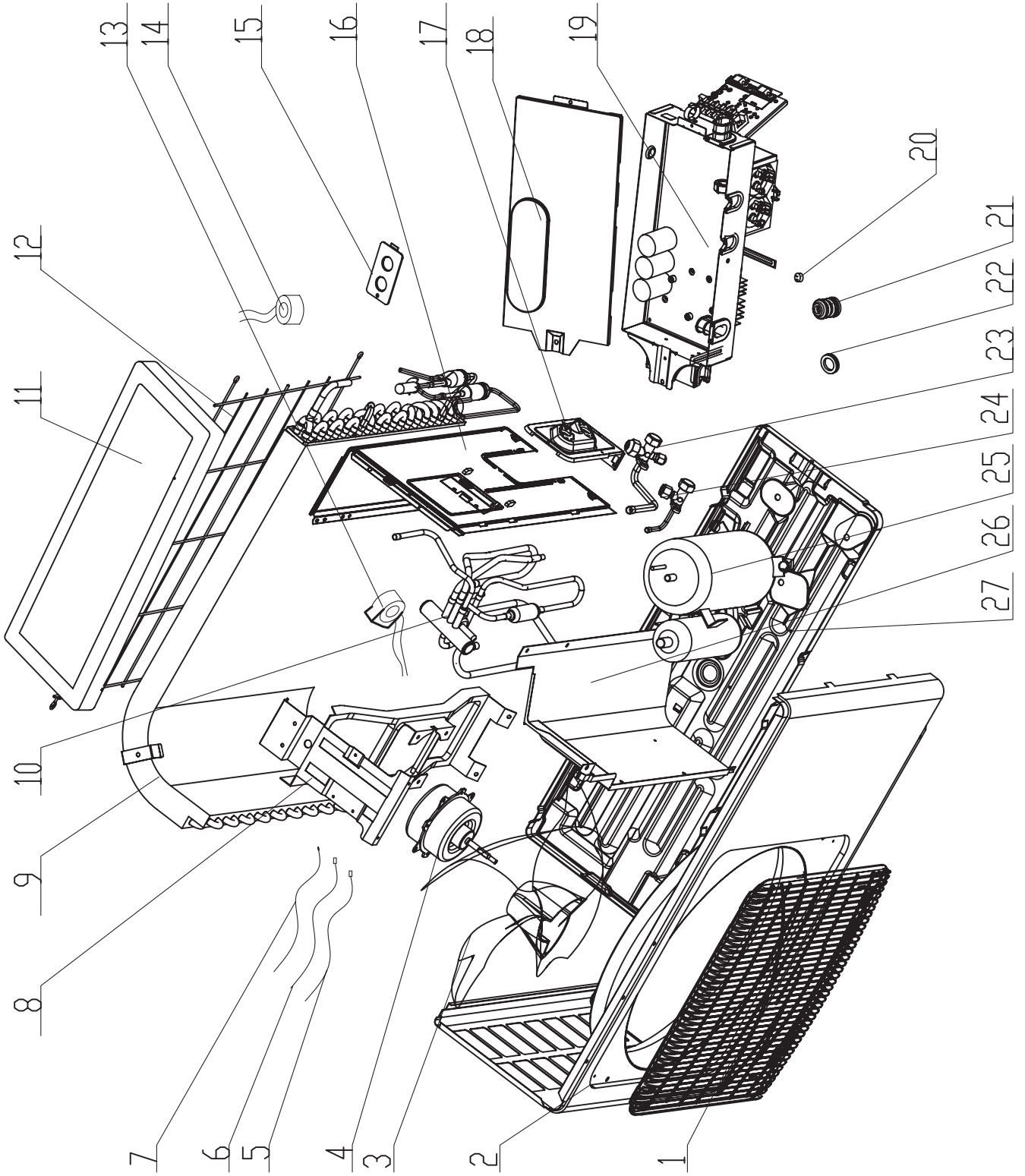


GWH09AB-A3DNA2B/I
9,000 Btuh115v Indoor Unit
 Product Code: CB115N0550

NO.	Part Code	Part Description	Qty
1	01252008	Wall Mounting Frame	1
2	2220208402	Rear Case Assy	1
3	01002089	Evaporator Coil Assy	1
4	10352023	Cross Flow Fan	1
5	76512051	Bearing O-Gasket Sub-Assy	1
6	0523001401	Drainage Hose	1
7	20182146	Drainage Tray Assy	1
8	10512099	Swing Blade(Round Hole)	8
9	10512097	Air Louver(Manual)	2
10	10582450	Swing Lever	1
11	01472011	Front Grille	1
12	10512102	Guide Louver	1
13	20002760	Front Case Assy	1
14	24252019P	Screw Cover	3
15	11122059	Filter Sub-Assy	2
16	2000276104	Front Panel Assy	1
17	22432262	Receiver Window	1

NO.	Part Code	Part Description	Qty
18	30565002	Display Board	1
19	20122041	Display Control Box	1
20	20122163	Display Cover	1
21	305100502	Remote Control	1
Not Shown	26150003	Remote Control Holder/Cradle	1
22	20122074P	Electric Control Box Cover2	1
23	15012086	Stepper Motor	1
24	26112132	Motor Press Plate	1
25	1501306801	Fan Motor	1
26	42011233	Terminal Board	1
27	22242135	Electric Control Box Cover1	1
28	2010256209	Electric Control Box Assy	1
29	30138202	Main Control Board	1
30	390000451	Ambient Temperature Sensor	1
31	390000591	Indoor Coil Temperature Sensor	1
32	26112124	Connecting Pipe Clamp	1
Not Shown	4202300106	Connection Wire Connector	1

GWH09AB-A3DNA2B/O 9,000 Btuh115v Outdoor Unit

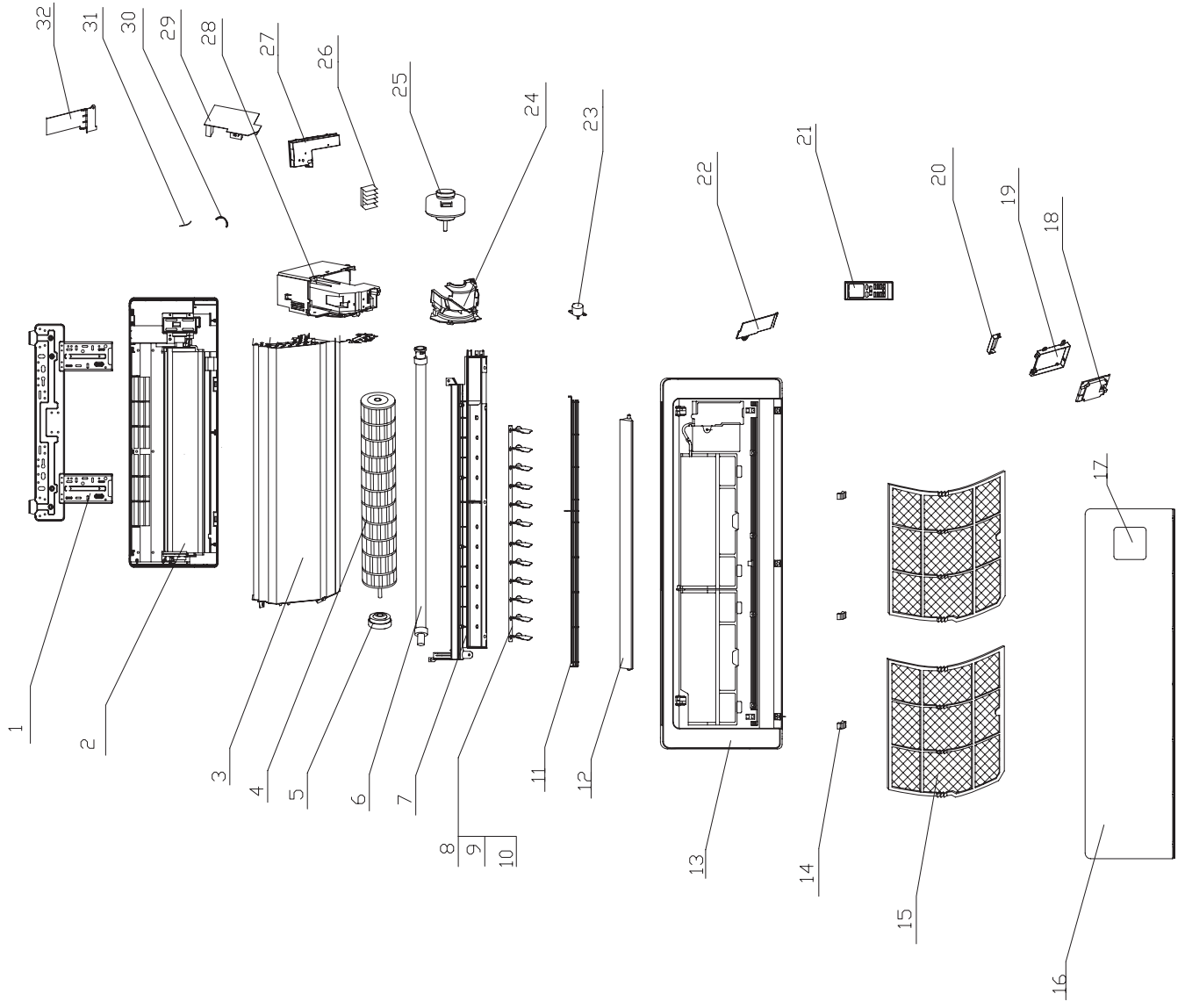


GWH09AB-A3DNA2B/O
9,000 Btuh115v Outdoor Unit
 Product Code: CB115W0550

NO.	Part Code	Part Description	Qty
1	01473012	Front Grille	1
2	0143304601P	Cabinet	1
3	10333502	Axial Flow Fan	1
4	15013069	Fan Motor	1
5	390001921	Coil Temperature Sensor	1
6	39000016	Discharge Temperature Sensor	1
7	3900020801	Ambient Temperature Sensor	1
8	01703007	Motor Support Spot Welding Sub-Assy	1
9	01113298	Condenser Coil Assy	1
10	03123315	4-Way Valve Assy	1
11	01253443	Top Cover Plate	1
12	01473014	Rear Grille	1
13	4300040021	Magnet Solenoid Coil	1
14	4300876701	Magnet Solenoid Coil	1

NO.	Part Code	Part Description	Qty
15	01413069	Wire Cover	1
16	013030712	Right Side Plate Assy	1
17	01713041	Valve Support	1
18	0260309601	Electric Control Box cover Sub-Assy	1
19	0140398651	Electric Control Box Assy	1
20	00180002	Compressor Overload Protector	1
21	76815203	Compressor Grommets	3
22	06123401	Drainage Connector	1
23	07100005	Gas Line Valve 3/8-in	1
24	07100003	Liquid Line Valve 1/4-in	1
25	00205212	Compressor and Fittings	1
26	01233198	Clapboard Sub-Assy	1
27	01203939P	Chassis Sub-Assy	1
Not Shown	30138211	Main Control Board	1

GWH09AB-D3DNA2D/I 9,000 Btuh208/230v Indoor Unit

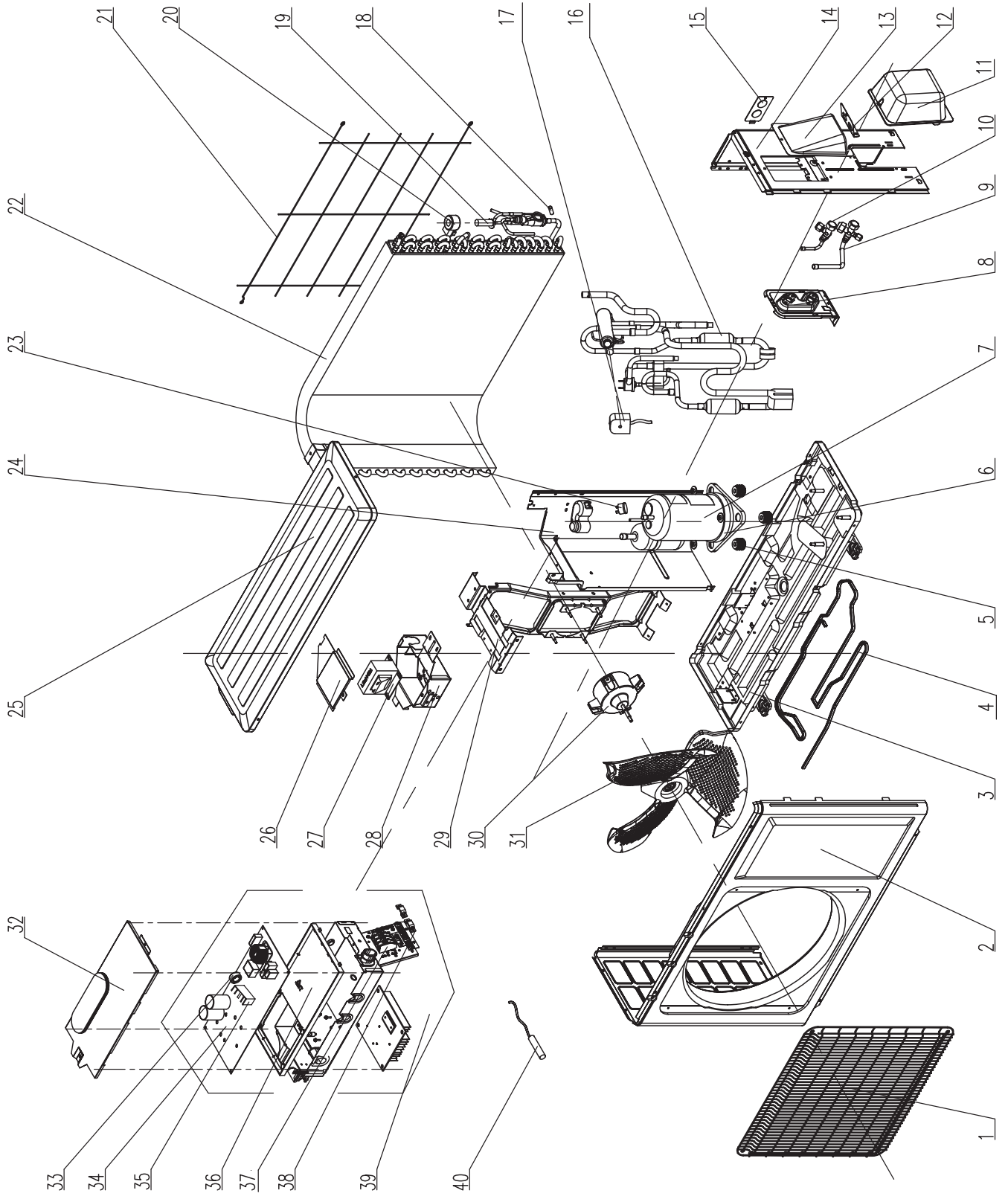


GWH09AB-D3DNA2D//
9,000 Btuh208/230v Indoor Unit
 Product Code: CB115N07600

NO.	Part Code	Part Description	Qty
1	01252008	Wall Mounting Frame	1
2	2220208403	Rear Case Assy	1
3	01002089	Evaporator Coil Assy	1
4	10352023	Cross Flow Fan	1
5	76512051	Bearing O-Gasket Sub-Assy	1
6	0523001401	Drainage Hose	1
7	20182146	Drainage Tray Assy	1
8	10512099	Swing Blade(Round Hole)	8
9	10512097	Air Louver(Manual)	2
10	10582450	Swing Lever	1
11	01472011	Front Grille	1
12	10512102	Guide Louver	1
13	20002760	Front Case Assy	1
14	24252019P	Screw Cover	3
15	11122059	Filter Sub-Assy	2
16	2000276104	Front Panel Assy	1
17	20192109	Decorative Strip	1
18	30565002	Display Board	1
19	20122041	Display Box	1
20	20122042	Display Cover	1

NO.	Part Code	Part Description	Qty
21	305100502	Remote Control	1
Not Shown	26150003	Remote Control Holder/Cradle	1
22	20122074P	Electric Control Box Cover2	1
23	15012086	Stepper Motor	1
24	26112123	Motor Clamp	1
25	1501207802	Fan Motor	1
26	42011233	Terminal Board	1
27	20122103	Electric Control Box Cover1	1
28	20302269	Electric Control Box Assy	1
29	30148089	Main Control Board	1
30	390000453	Ambient Temperature Sensor	1
31	390000591	Indoor Coil Temperature Sensor	1
32	26112124	Pipe Clamp	1
Not Shown	01592073	Shield cover of Electric Control Box Sub-Assy	1
Not Shown	10582070	Crank	1
Not Shown	10542704	Axial Bushing	1
Not Shown	10542036	Axial Bushing	1
Not Shown	4003004202	Connection Wire Connector	1
Not Shown	4202300119	Configuration Jumper	1
Not Shown	26112158	Louver Clamp	5

GWH09AB-D3DNA2D/O 9,000 Btuh208/230v Outdoor Unit



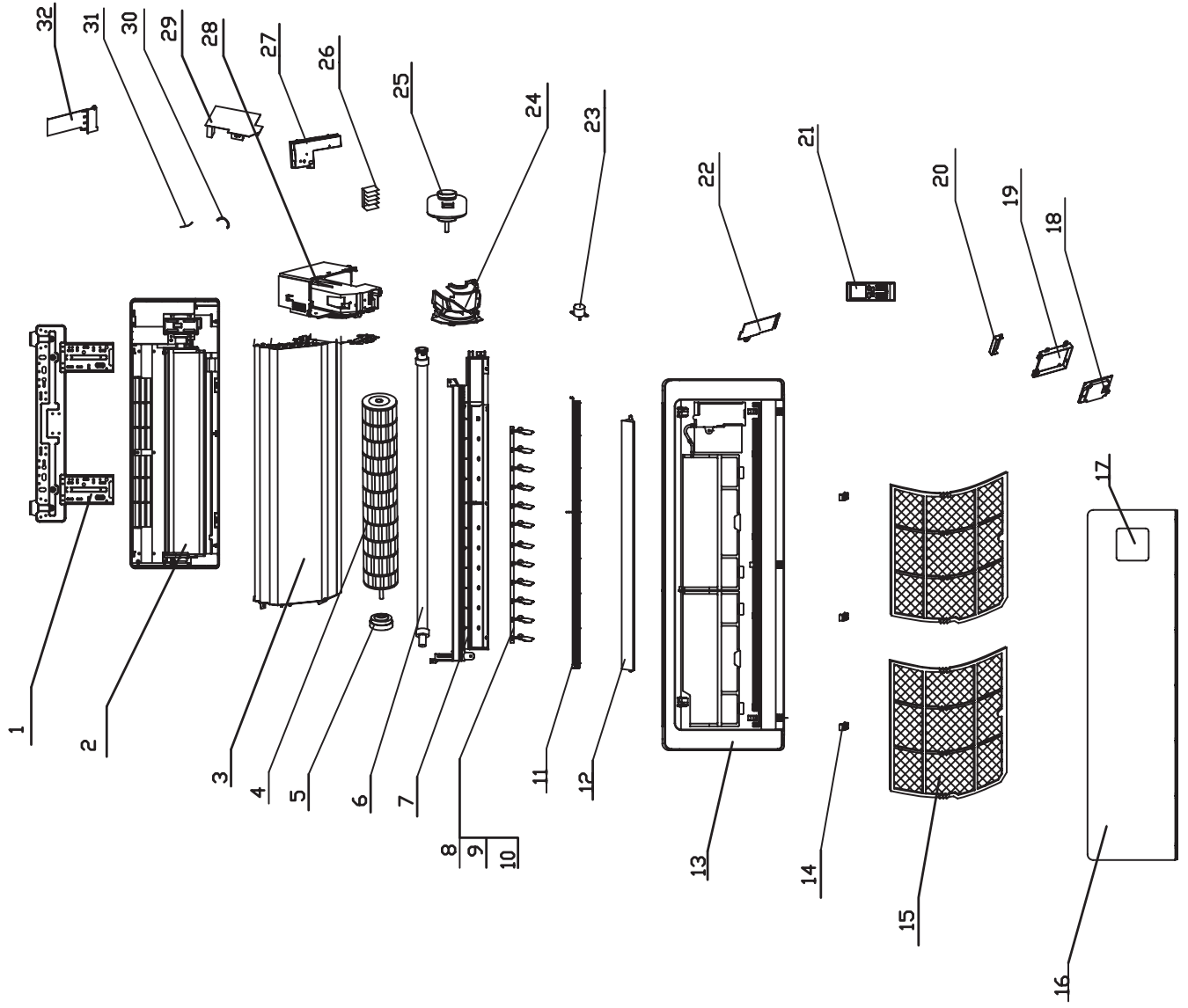
GWH09AB-D3DNA2D/O
9,000 Btuh 208/230v Outdoor Unit
 Product Code:CB115W07601

NO.	Part Code	Part Description	Qty
1	01473012	Front Grille	1
2	0143304601P	Cabinet	1
3	02803076P	Chassis Sub-Assy	1
4	76510004	Electrical Heater (Chassis)	1
5	76710290	Compressor Grommets	3
6	76513004	Electrical Heater(Compressor)	1
7	00103851	Compressor and Fittings	1
8	01713041	Valve Support	1
9	07100005	Gas Line Valve 3/8-in	1
10	07100003	Liquid Line Valve 1/4-in	1
11	2012300101	Valve Cover	1
12	02123013P	Cable Cross Plate 1	1
13	02123014P	Cable Cross Plate 2	1
14	0130306903	Right Side Plate	1
15	01413069	Wire cover	1
16	03123957	4-Way Valve Assy	1
17	4300040047	Magnet Solenoid Coil	1
18	05212423	Tube Sensor Bushing	1
19	07133633	Electric Expansion Valve Sub-Assy	1
20	4300876701	Magnet Solenoid Coil	1
21	01473057	Rear Grille	1

NO.	Part Code	Part Description	Qty
22	01163565	Condenser Coil Assy	1
23	00183043	Compressor Overload Protector(External)	1
24	01233198	Clapboard Sub-Assy	1
25	01253443	Top Cover Plate	1
26	01413029	Reactor Box Cover	1
27	43130185	Reactor	1
28	01403616	Reactor Assy	1
29	01703007	Motor Support Spot Welding Sub-Assy	1
30	15013159	Fan Motor	1
31	10333012	Axial Flow Fan	1
32	0260309601	Electric Control Box Cover Sub-Assy	1
33	49010104	Magnetic Ring	1
34	30148233	Main Control Board	1
35	49010252	Radiator	1
36	42010313	Terminal Board	1
37	20113005	Electric Control Box 1	1
38	71010003	Wire Clamp	2
39	02603916	Electric Control Box Assy	1
40	39000310	Temperature Sensors Assembly**	1

**Temperature Sensor Assembly contains Discharge, Coil, & Ambient Temperature sensors.

GWH12AB-A3DNA2B/I 12,000 Btuh115v Indoor Unit

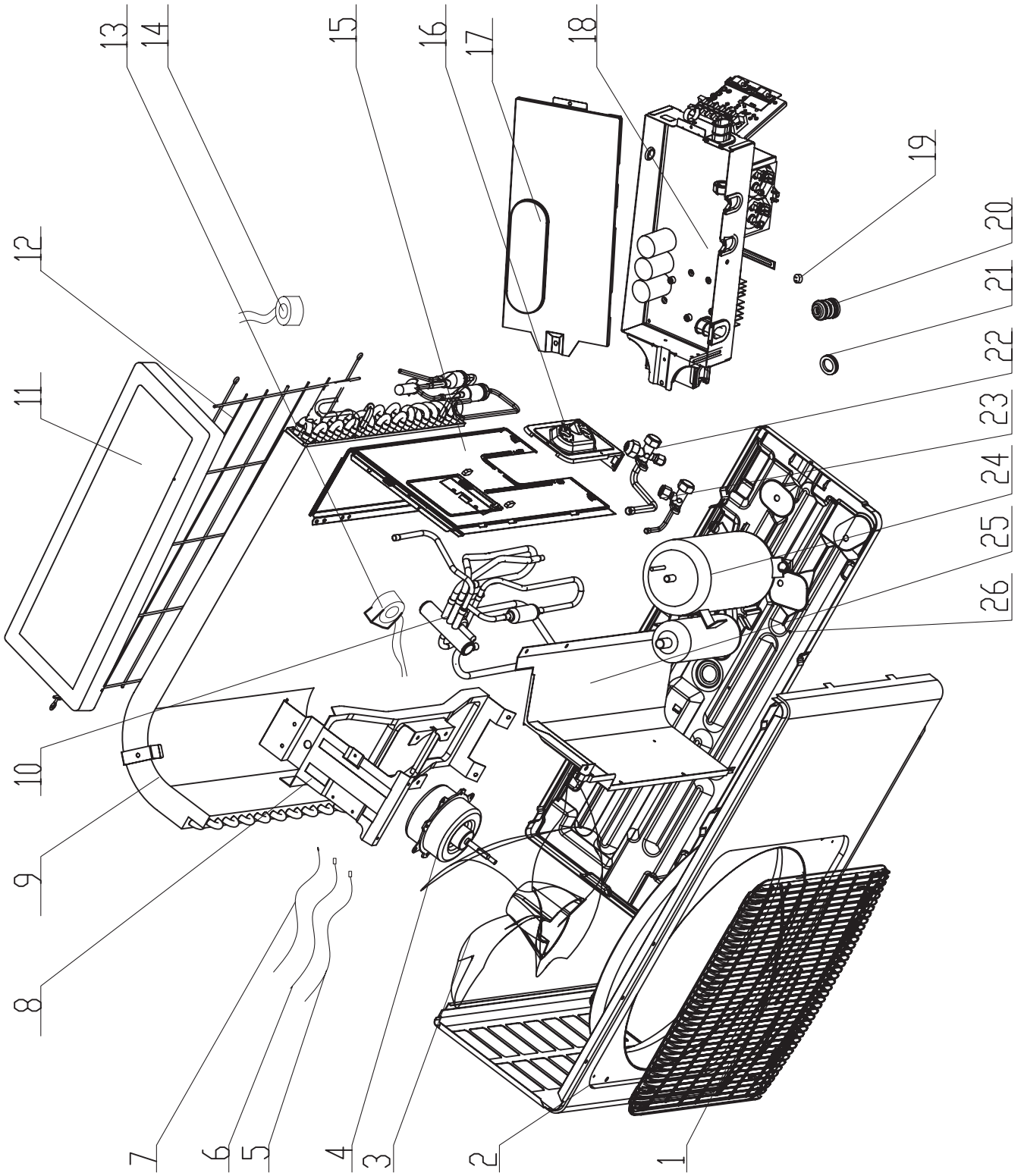


GWH12AB-A3DNA2B/I
12,000 Btuh115v Indoor Unit
 Product Code:CB115N0570

NO.	Part Code	Part Description	Qty
1	01252008	Wall Mounting Frame	1
2	2220208402	Rear Case Assy	1
3	0100252402	Evaporator Coil Assy	1
4	10352023	Cross Flow Fan	1
5	76512051	Bearing O-Gasket Sub-Assy	1
6	0523001401	Drainage Hose	1
7	20182146	Drainage Tray Assy	1
8	10512099	Swing Blade(Round Hole)	8
9	10512097	Air Louver(Manual)	2
10	10582450	Swing Lever	1
11	01472011	Front Grille	1
12	10512102	Guide Louver	1
13	20002760	Front Case Assy	1
14	24252019P	Screw Cover	3
15	11122059	Filter Sub-Assy	2
16	2000276104	Front Panel Assy	1
17	22432262	Receiver Window	1

NO.	Part Code	Part Description	Qty
18	30565002	Display Board	1
19	20122041	Display Box	1
20	20122163	Display Cover	1
21	305100502	Remote Control	1
Not Shown	26150003	Remote Control Holder/Cradle	1
22	20122074P	Electric Control Box Cover2	1
23	15012086	Stepper Motor	1
24	26112132	Motor Press Plate	1
25	1501306801	Fan Motor	1
26	42011233	Terminal Board	1
27	22242135	Electric Control Box Cover1	1
28	2010256209	Electric Control Box Assy	1
29	30138202	Main Control Board	1
30	390000451	Ambient Temperature Sensor	1
31	390000591	Indoor Coil Temperature Sensor	1
32	26112124	Connecting pipe clamp	1
Not Shown	4202300105	Configuration Jumper	1

GWH12AB-A3DNA2B/O
12,000 Btuh115v Outdoor Unit

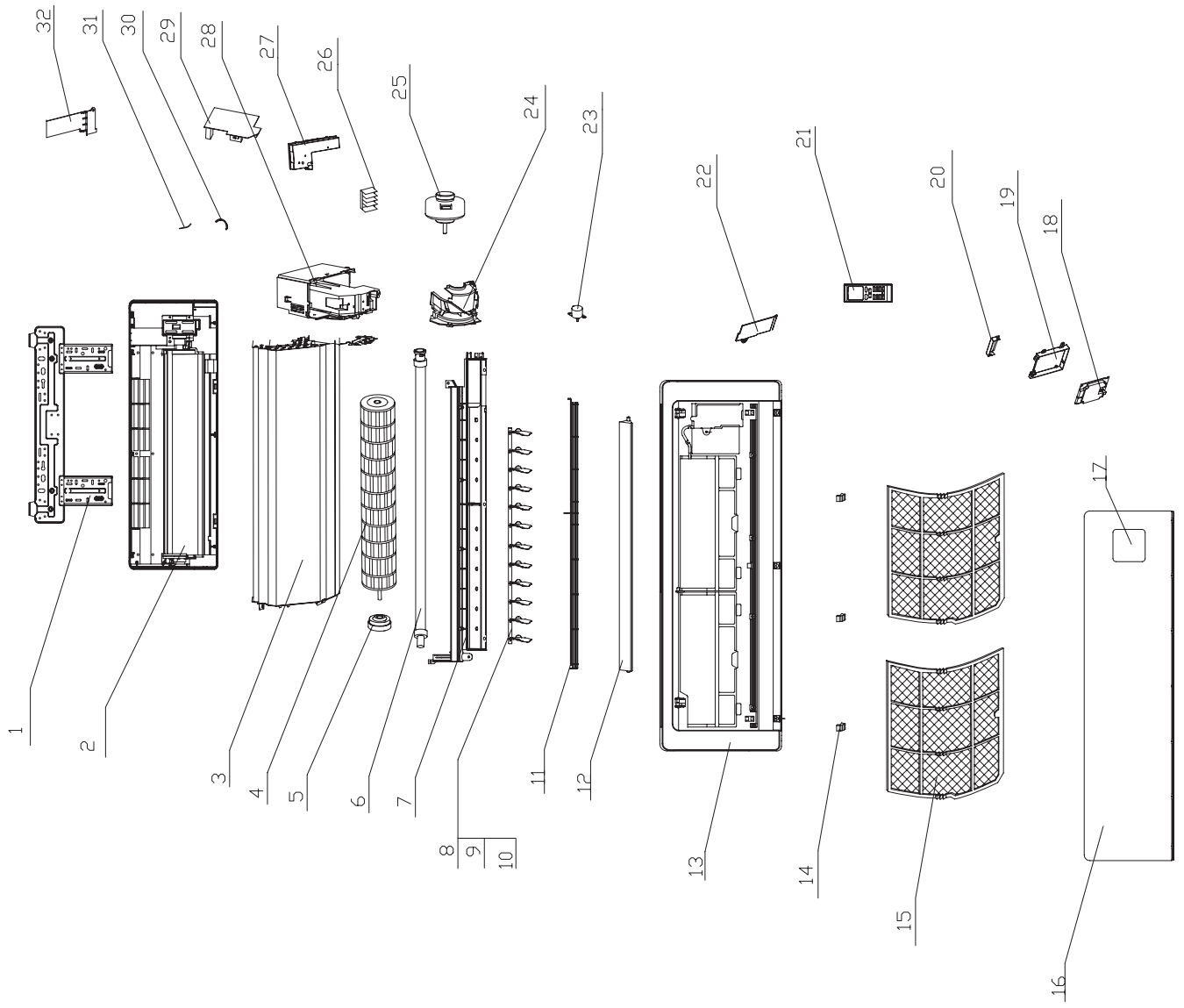


GWH12AB-A3DNA2B/O
12,000 Btuh115v Outdoor Unit
 Product Code:CB115W0570

NO.	Part Code	Part Description	Qty
1	01473012	Front Grille	1
2	153500201	Front Panel	1
3	10333502	Axial Flow Fan	1
4	15013069	Fan Motor	1
5	390001921	Coil Temperature Sensor	1
6	39000016	Discharge Temperature Sensor	1
7	3900020801	Ambient Temperature Sensor	1
8	0170301002	Motor Support Spot Welding Sub-Assy	1
9	01113520	Condenser Coil Assy	1
10	03123316	4-Way Valve Assy	1
11	01253443	Top Cover Plate	1
12	01475014	Rear Grille	1
13	4300040021	Magnet Solenoid Coil	1
14	4300876701	Magnet Solenoid Coil	1

NO.	Part Code	Part Description	Qty
15	0130507401P	Right Side Plate	1
16	01713041	Valve Support	1
17	0260309601	Electric Control Box Cover Sub-Assy	1
18	0140398651	Electric Control Box Assy	1
19	00180002	Compressor Overload Protector	1
20	76815203	Compressor Grommets	3
21	06123401	Drainage Connector	1
22	07100006	Gas Line Valve 1/2-in	1
23	07100003	Liquid Line Valve 1/4-in	1
24	00205212	Compressor and Fittings	1
25	01233090	Clapboard Sub-Assy	1
26	01203939P	Chassis Sub-Assy	1
Not Shown	30138211	Main Control Board	1

GWH12AB-D3DNA2D/I 12,000 Btuh208/230v Indoor Unit

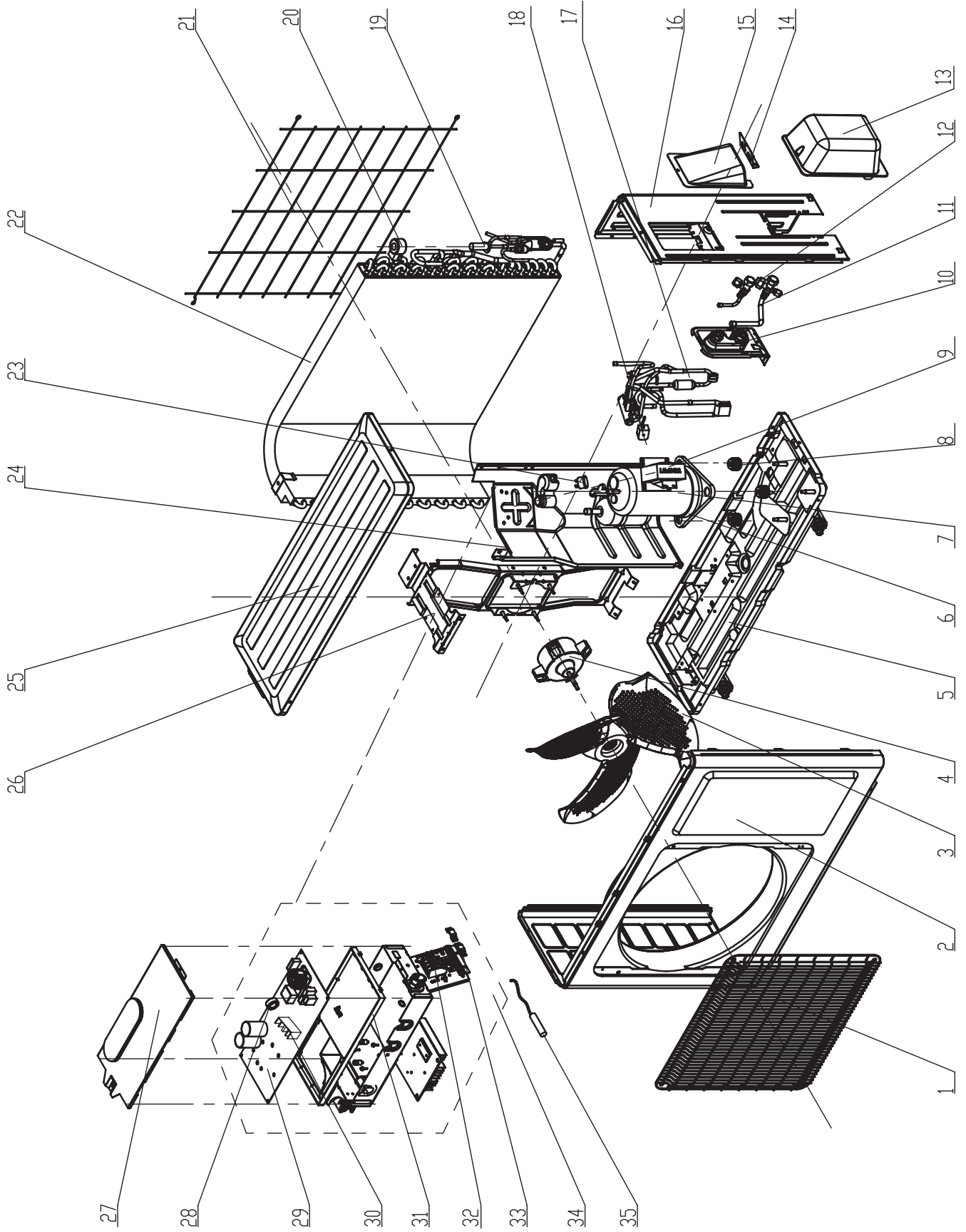


**GWH12AB-D3DNA2D//
12,000 Btuh208/230v Indoor Unit
Product Code:CB115N07700**

NO.	Part Code	Part Description	Qty
1	01252008	Wall Mounting Frame	1
2	2220208403	Rear Case Assy	1
3	0100252402	Evaporator Coil Assy	1
4	10352023	Cross Flow Fan	1
5	76512051	Bearing O-Gasket Sub-Assy	1
6	0523001401	Drainage Hose	1
7	20182146	Drainage Tray Assy	1
8	10512099	Swing Blade(Round Hole)	8
9	10512097	Air Louver(Manual)	2
10	10582450	Swing Lever	1
11	01472011	Front Grille	1
12	10512102	Guide Louver	1
13	20002760	Front Case Assy	1
14	24252019P	Screw Cover	3
15	11122059	Filter Sub-Assy	2
16	2000276104	Front Panel Assy	1
17	22432262	Decorate Piece	1
Not Shown	20192109	Decorative Strip	1

NO.	Part Code	Part Description	Qty
18	30565002	Display Board	1
19	20122041	Display Box	1
20	20122163	Display Cover	1
21	305100502	Remote Control	1
Not Shown	26150003	Remote Control Holder/Cradle	1
22	2012207405	Electric Control Box Cover2	1
23	15012086	Stepper Motor	1
24	26112123	Motor Clamp	1
25	1501207802	Fan Motor	1
26	42011233	Terminal Board	1
27	20122103	Electric Control Box Cover1	1
28	20302269	Electric Control Box Assy	1
29	30148089	Main Control Board	1
30	390000453	Ambient Temperature Sensor	1
31	390000591	Indoor Coil Temperature Sensor	1
32	26112124	Pipe Clamp	1
Not Shown	4202300120	Configuration Jumper Connector	1

GWH12AB-D3DNA2D/O 12,000 Btuh208/230v Outdoor Unit



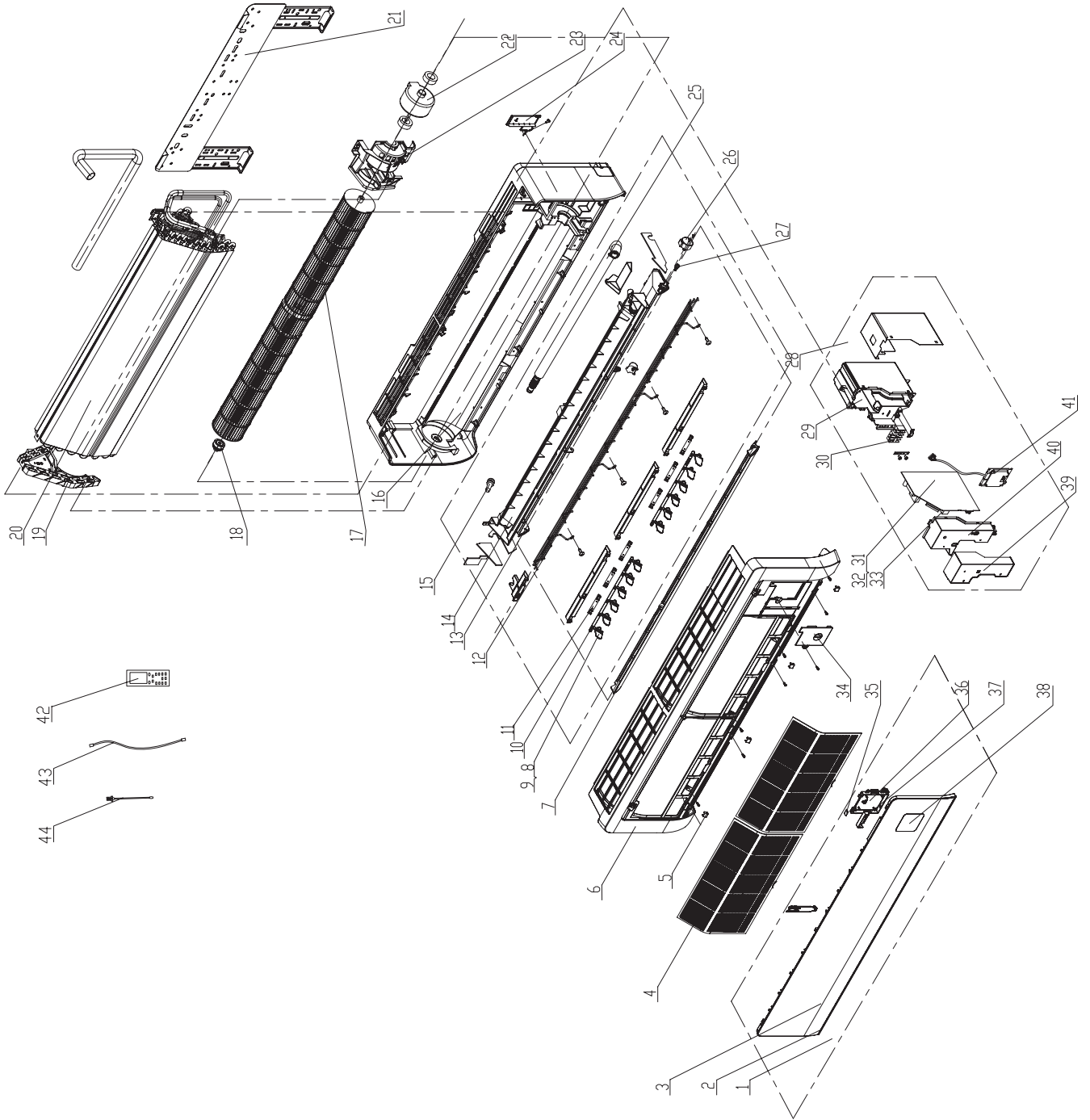
GWH12AB-D3DNA2D/O
12,000 Btuh208/230v Outdoor Unit
 Product Code:CB115W07701

NO.	Part Code	Part Description	Qty
1	01473012	Front Grille	1
2	0153501201	Front Panel	1
3	10333012	Axial Flow Fan	1
4	15013159	Fan Motor	1
5	01203883P	Chassis Sub-Assy	1
6	76513004	Electrical Heater(Compressor)	1
7	00205212	Compressor and Fittings	1
8	76710236	Compressor Grommets	3
9	43130185	Reactor	1
10	01713041	Valve Support	1
11	07100006	Gas Line Valve 1/2-in	1
12	07100003	Liquid Line Valve 1/4-in	1
13	22243010	Valve Cover	1
14	02123013P	Cable Cross Plate 1	1
15	02123014P	Cable Cross Plate 2	1
16	0130509901P	Right Side Plate	1
17	03123931	4-Way Valve Assy	1
18	4300040047	Magnet Solenoid Coil	1

NO.	Part Code	Part Description	Qty
19	07133676	Electric Expansion Valve Sub-Assy	1
20	4300876701	Magnet Solenoid Coil	1
21	01475014	Rear Grille	1
22	01163459	Condenser Coil Assy	1
23	00180002	Compressor Overload Protector	1
24	01233090	Clapboard Sub-Assy	1
25	01253443	Top Cover Plate	1
26	0170301002	Motor Support Spot Welding Sub-Assy	1
27	0260309601	Electric Control Box Cover Sub-Assy	1
28	49010104	Magnetic Ring	1
29	30148238	Main Control Board	1
30	49013026	Radiator	1
31	20113005	Electric Control Box 1	1
32	42010313	Terminal Board	1
33	71010003	Wire Clamp	2
34	02603917	Electric Control Box Assy	1
35	39000310	Temperature Sensors Assembly**	1

**Temperature Sensor Assembly contains Discharge, Coil, & Ambient Temperature sensors.

GWH18AC-D3DNA2D/I 18,000 Btuh208/230v Indoor Unit

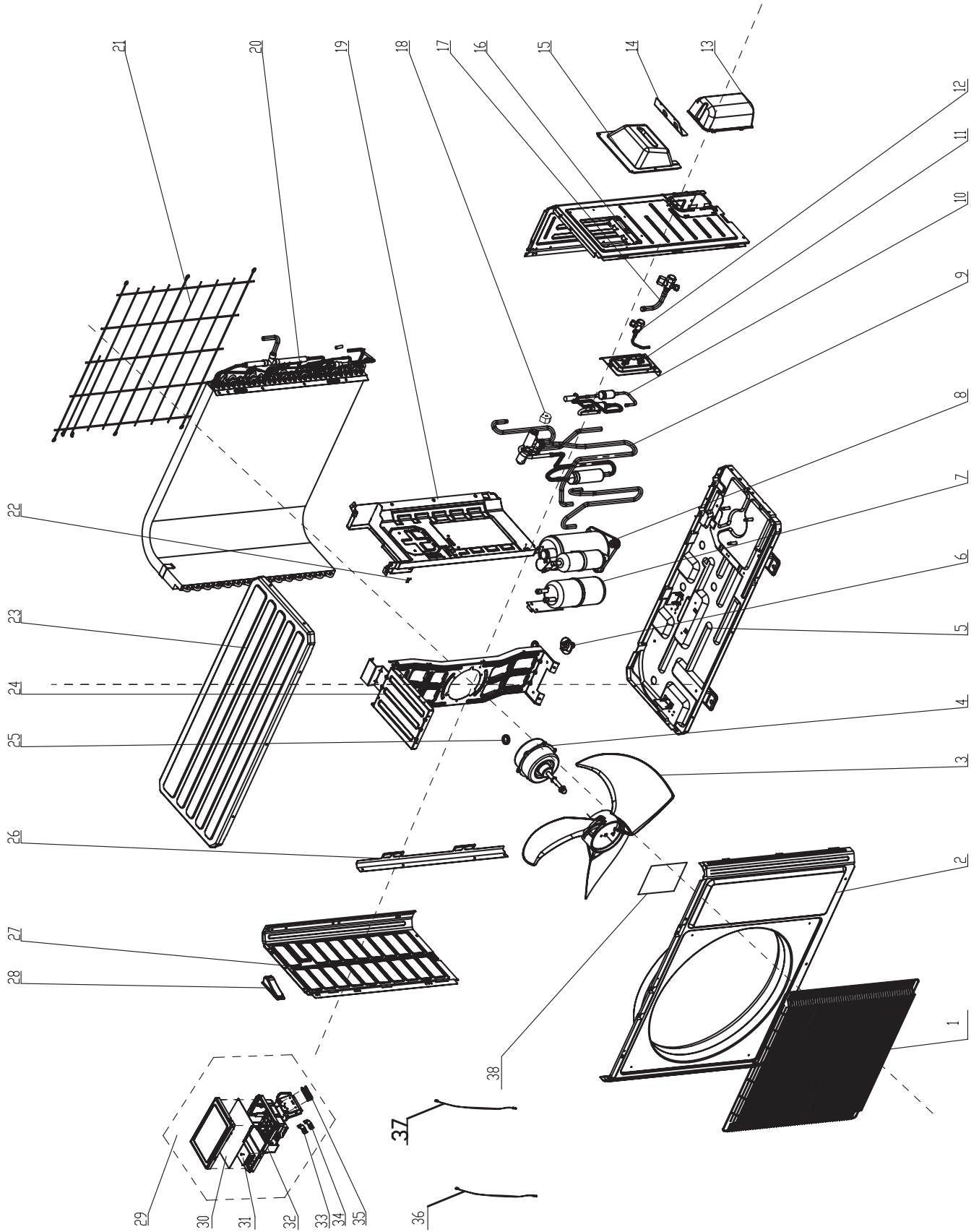


GWH18AC-D3DNA2D//
18,000 Btuh208/230v Indoor Unit
 Product Code:CB115N07800

NO.	Part Code	Part Description	Qty
1	2001201213	Front Panel Assy	1
2	20194036D	Decorative Strip	1
3	2000429804	Front Panel	1
4	11124096	Filter Sub-Assy	2
5	24252017	Screw Cover	3
6	20012011	Front Case Assy	1
7	10514096	Guide Louver	1
8	10512097	Air Louver(Manual)	2
9	10512099	Swing Blade(Round Hole)	8
10	10584085	Swing Lever	1
11	26112127	Louver Clamp	5
12	01472019	Rear Grille	1
13	10542036	Axial Bushing	2
14	2018210510	Drainage Tray Assy	1
15	76712012	Drainage Tray Plug	1
16	2220209506	Rear Case Assy	1
17	10352016	Cross Flow Fan	1
18	76512051	Bearing O-Gasket Sub-Assy	1
19	24212109	Evaporator Coil Support	1
20	0100258401	Evaporator Coil Assy	1
21	01252218	Wall Mounting Frame	1
22	1501211601	Fan Motor	1
23	26114094	Motor Press Plate	1

NO.	Part Code	Part Description	Qty
24	0523001406	Drainage Hose	1
25	26114095	Pipe Clamp	1
26	15012086	Stepper Motor	1
27	10542704	Axial Bushing	1
28	20302278	Electric Control Box Assy	1
29	2011210001	Electric Control Box	1
30	42011233	Terminal Board	1
31	30148083	Main Control Board	1
32	4202300122	Configuration Jumper Connector	1
33	33010043	Capacitor CBB61	1
34	2011400904P	Electric Control Box Cover2	1
35	6051245901	Membrane	1
36	20122163	Display Cover	1
37	20122041	Display Box	1
38	22432269	Decorate Piece	1
39	01412010	Shield cover of Electric Control Box	1
40	2011400801	Electric Control Box Cover1	1
41	30565002	Display Board	1
42	305100502	Remote Control	1
Not Shown	26150003	Remote Control Holder/Cradle	1
43	390000597	Indoor Coil Temperature Sensor	1
44	390000451	Ambient Temperature Sensor	1

GWH18AC-D3DNA2D/O 18,000 Btuh208/230v Outdoor Unit



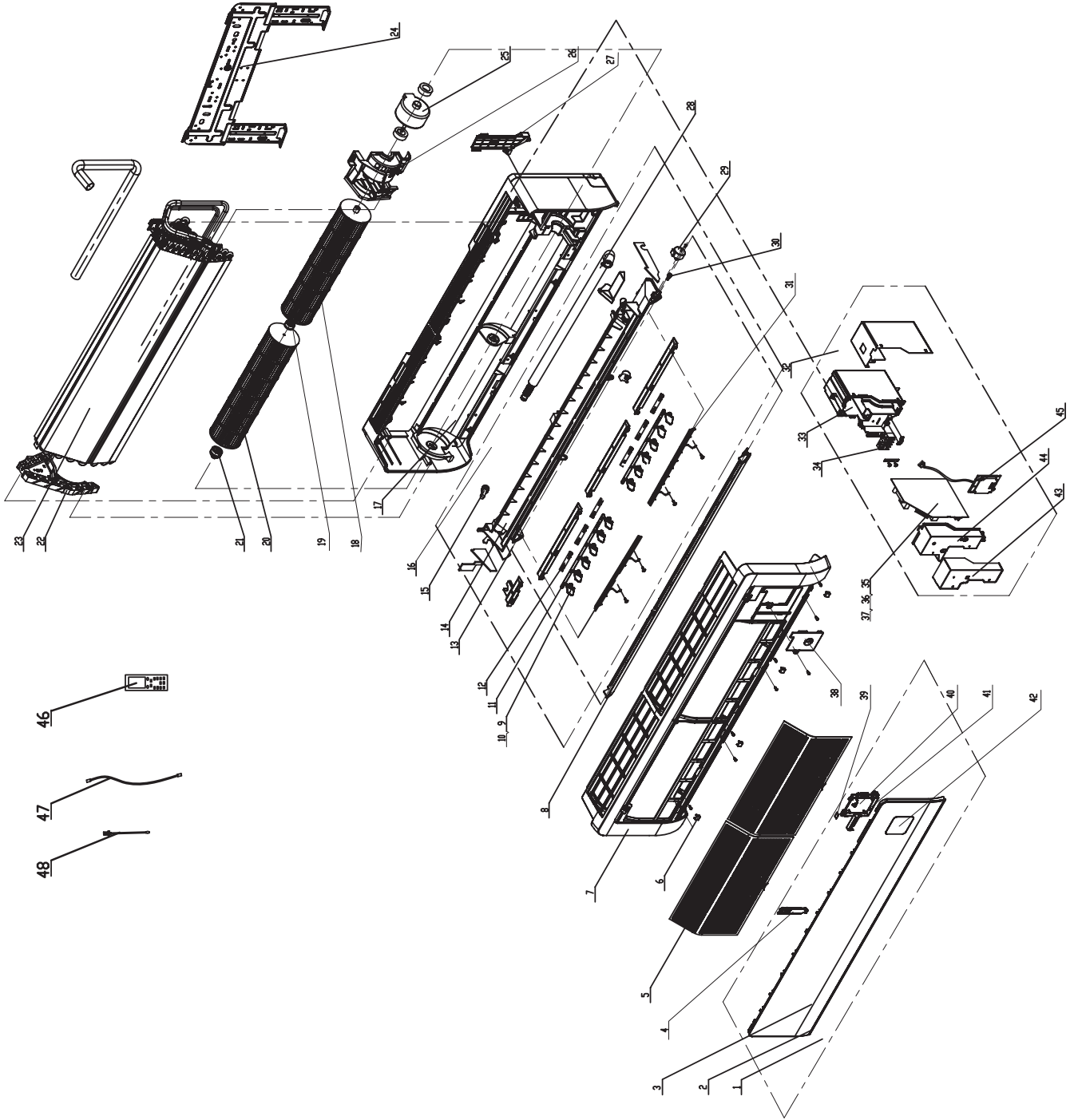
GWH18AC-D3DNA2D/O
18,000 Btuh208/230v Outdoor Unit
 Product Code:CB115W07801

NO.	Part Code	Part Description	Qty
1	01473043	Rear Grille	1
2	01433047P	Cabinet	1
3	10335008	Axial Flow Fan	1
4	1501506402	Fan Motor	1
5	02803083P	Chassis Sub-Assy	1
6	06123401	Drainage Connector	1
7	07225017	Gas-Liquid Separator Assy	1
8	00105241	Compressor and Fittings	1
9	03123891	4-Way Valve Assy	1
10	07133772	Electronic Expansion Valve Assy	1
11	01715010P	Valve Support Assy	1
12	07133058	Cut-Off Valve Sub-Assy 1/4-in	1
13	22245002	Valve cover	1
14	02115006P	Block	1
15	02113032P	Handle Assy	1
16	0130509403P	Right Side Plate	1
17	07133210	Cut-Off Valve Sub-Assy 1/2-in	1
18	4300040033	4-Way Valve Fittings	1
19	0123315301	Clapboard Assy	1
20	01163487	Condenser Coil Assy	1

NO.	Part Code	Part Description	Qty
21	01473049	Front Grille	1
22	26115004	Wiring Clamp	1
23	01255005P	Top Cover	1
24	01705036	Motor Support Sub-Assy	1
25	NA	Drainage Plug	0
26	01795010	Supporting Board(condenser)	1
27	01305093P	Left Side Plate	1
28	26235401	Left Handle	1
29	0260393702	Electric Control Box Assy	1
30	30148496	Main Control Board	1
31	49010252	Radiator	1
32	20113027	Electric Control Box (Fireproofing)	1
33	71010003	Wire Clamp	1
34	71010003	Wire Clamp	1
35	42010255	Terminal Board	1
36	3900030901	Temperature Sensors Assembly**	1
37	39000072	Outer Tube Temperature Sensor	1
38	20113003	Electric Control Box Plate Cover	1

**Temperature Sensor Assembly contains Discharge, Coil, & Ambient Temperature sensors.

GWH24AC-D3DNA2D/I 24,000 Btuh208/230v Indoor Unit

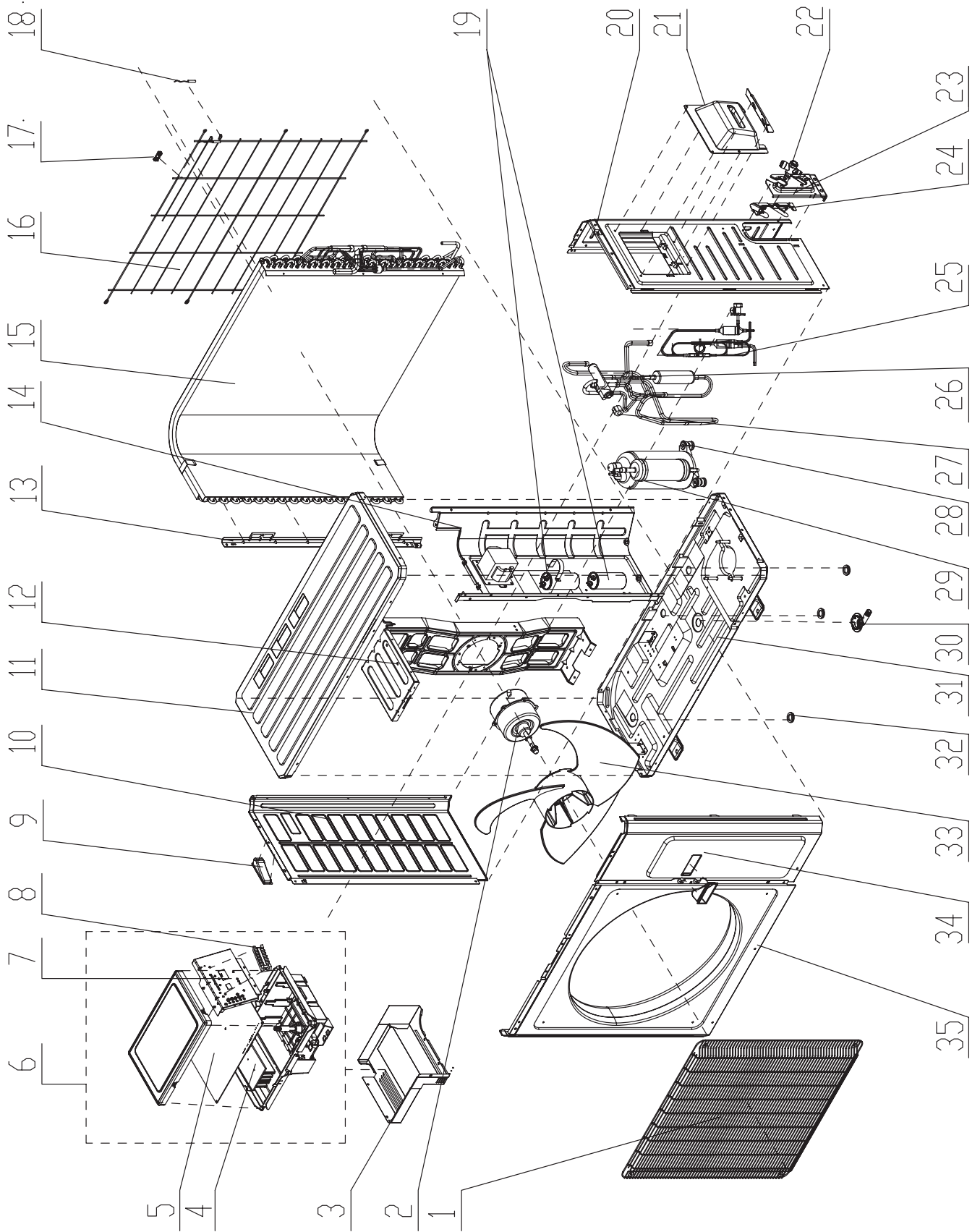


GWH24AC-D3DNA2D//
24,000 Btuh208/230v Indoor Unit
 Product Code:CB115N08700

NO.	Part Code	Part Description	Qty
1	2001207105	Front Panel Assy	1
2	20192190D	Decorative Strip	1
3	2000298404	Front Panel	1
4	24212094	Stay Bar Sub-Assy	1
5	11124097	Filter Sub-Assy	2
6	24252017	Screw Cover	4
7	2001207001	Front Panel Assy	1
8	10512153	Guide Louver	1
9	10512097	Air Louver(Manual)	2
10	10512099	Swing Blade(Round Hole)	10
11	10584086	Swing Lever	2
12	26112158	Louver Clamp	6
13	10542036	Axial Bushing	2
14	2018209904	Drainage Tray	1
15	76712012	Drainage Tray Plug	1
16	2018211106	Drainage Tray Assy	1
17	22202096	Rear Case	1
18	10354002	Cross Flow Fan	1
19	76512051	Bearing O-Gasket Sub-Assy	1
20	10354003	Cross Flow Fan	1
21	26152028	Bearing Holder Sub-Assy	1
22	24214082	Evaporator Coil Support Sub-Assy	1
23	0100256701	Evaporator Coil Assy	1
24	01252229	Wall-Mounting Frame	1
25	1501209801	Fan Motor	1

NO.	Part Code	Part Description	Qty
26	26112182	Motor Press Plate	1
27	26112156	Pipe Clamp	1
28	0523001403	Drainage Pipe	1
29	1521300101	Stepper Motor	1
30	10582070	Crank	1
31	01472020	Rear Grille	2
32	20302422	Electric Control Box Assy	1
33	2011210001	Electric Control Box	1
34	42011233	Terminal Board	1
35	30148276	Main Control Board	1
36	4202300125	Configuration Jumper Connector	1
37	33010034	Capacitor CBB61	1
38	2011400904P	Electric Control Box Cover2	1
39	6051245901	Membrane	1
40	201222163	Display Cover	1
41	201222041	Display Box	1
42	224322269	Decorate Piece	1
43	01412010	Shield cover of Electric Control Box	1
44	2011400801	Electric Control Box Cover1	1
45	30565002	Display Board	1
46	305100502	Remote Control	1
Not Shown	26150003	Remote Control Holder/Cradle	1
47	390000597	Indoor Coil Temperature Sensor	1
48	390000451	Ambient Temperature Sensor	1

GWH24AC-D3DNA2D/O 24,000 Btuh208/230v Outdoor Unit



GWH24AC-D3DNA2D/O
24,000 Btuh208/230v Outdoor Unit
 Product Code:CB115W08701

NO.	Part Code	Part Description	Qty
1	01473050	Front Grille	1
2	1501506205	Fan Motor	1
3	20113027	Electric Control Box (Fireproofing)	1
4	4901302801	Radiator	1
5	30148495	Main Control Board	1
6	02613297	Electric Control Box Assy	1
7	01713175A	Terminal Board Support Sub-Assy	1
8	42010255	Terminal Board	1
9	26235401	Left Handle	1
10	01305043P	Left Side Plate	1
11	01255006P	Top Cover	1
12	01705025	Motor Support Sub-Assy	1
13	01175092	Condenser Coil Support Plate	1
14	01233163	Clapboard Sub-Assy	1
15	01163427	Condenser Coil Assy	1
16	01475013	Rear Grille	1
17	26115004	Wiring Clamp	1
18	3900030901	Temperature Sensors Assembly**	1
Not Shown	39000072	Outer Tube Temperature Sensor	1

NO.	Part Code	Part Description	Qty
19	33010011	Capacitor CBB61	1
20	0130504402P	Right Side Plate	1
21	02113032P	Handle Assy	1
22	07133157	Cut-Off Valve Gas Line 5/8-in	1
23	0171501201P	Valve Support Sub-Assy	1
24	01365435P	Baffle (valve support)	1
25	NA	Capillary Sub-Assy	0
26	03123863	4-Way Valve Assy	1
27	4300040045	Magnet Solenoid Coil(4-Way Valve)	1
28	76715021	Compressor Grommets	3
29	00103873	Compressor and Fittings	1
30	06123401	Drainage Connector	1
31	0280308001P	Chassis Sub-Assy	1
32	0681340101	Drainage Plug	1
33	10335014	Axial Flow Fan	1
34	01303249P	Front Side Plate Sub-Assy	1
35	0143500401P	Cabinet	1
Not Shown	07133058	Cut-Off Valve Sub-Assy 1/4-in	1

**Temperature Sensor Assembly contains Discharge, Coil, & Ambient Temperature sensors.

