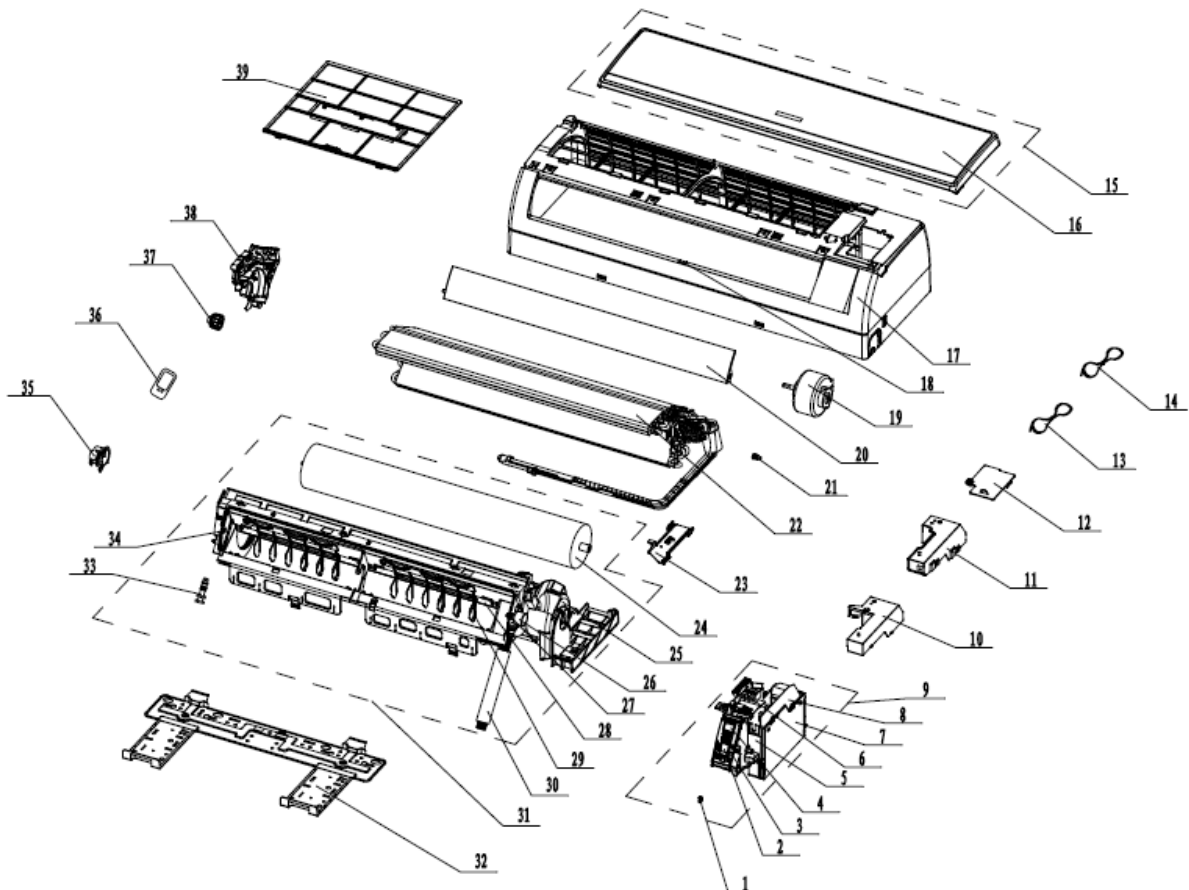


# rio

## Replacement Parts Catalog

### HEAT PUMP REVISION A & B



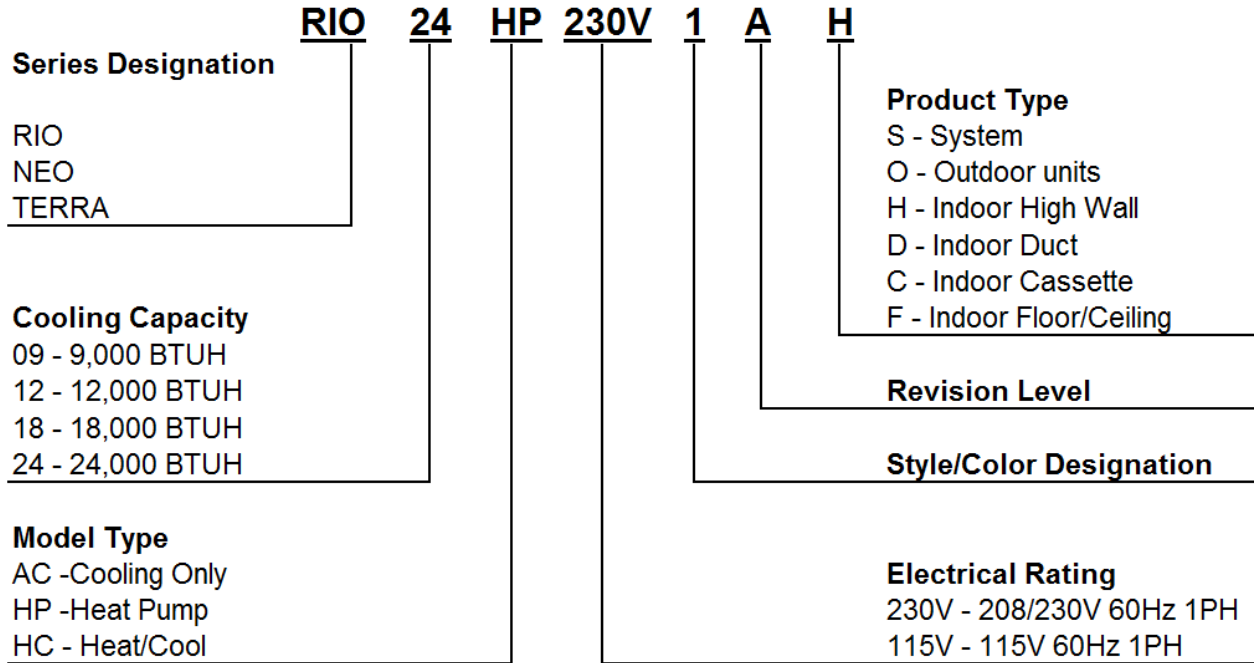
# Table of Contents

<b>Model Number</b>	<b>Description</b>	<b>Page</b>
Nomenclature	Part Number Nomenclature Chart	3-4
RIO09HP115V1AH	Heat Pump 9,000 BTUH 115v Indoor Unit	5-6
RIO09HP115V1AO	Heat Pump 9,000 BTUH 115v Outdoor Unit	7-8
RIO09HP230V1AH	Heat Pump 9,000 BTUH 208/230v Indoor Unit	9-10
RIO09HP230V1AO	Heat Pump 9,000 BTUH 208/230v Outdoor Unit	11-12
RIO09HP230V1BH	Heat Pump 9,000 BTUH 208/230v Indoor Unit	13-14
RIO09HP230V1BO	Heat Pump 9,000 BTUH 208/230v Outdoor Unit	15-16
RIO12HP115V1AH	Heat Pump 12,000 BTUH 115v Indoor Unit	17-18
RIO12HP115V1AO	Heat Pump 12,000 BTUH 115v Outdoor Unit	19-20
RIO12HP230V1AH	Heat Pump 12,000 BTUH 208/230v Indoor Unit	21-22
RIO12HP230V1AO	Heat Pump 12,000 BTUH 208/230v Outdoor Unit	23-24
RIO12HP230V1BH	Heat Pump 12,000 BTUH 208/230v Indoor Unit	25-26
RIO12HP230V1BO	Heat Pump 12,000 BTUH 208/230v Outdoor Unit	27-28
RIO18HP230V1AH	Heat Pump 18,000 BTUH 208/230v Indoor Unit	29-30
RIO18HP230V1AO	Heat Pump 18,000 BTUH 208/230v Outdoor Unit	31-32
RIO18HP230V1BH	Heat Pump 18,000 BTUH 208/230v Indoor Unit	33-34
RIO18HP230V1BO	Heat Pump 18,000 BTUH 208/230v Outdoor Unit	35-36
RIO24HP230V1AH	Heat Pump 24,000 BTUH 208/230v Indoor Unit	37-38
RIO24HP230V1AO	Heat Pump 24,000 BTUH 208/230v Outdoor Unit	39-40

# Product Catalog Number-Nomenclature

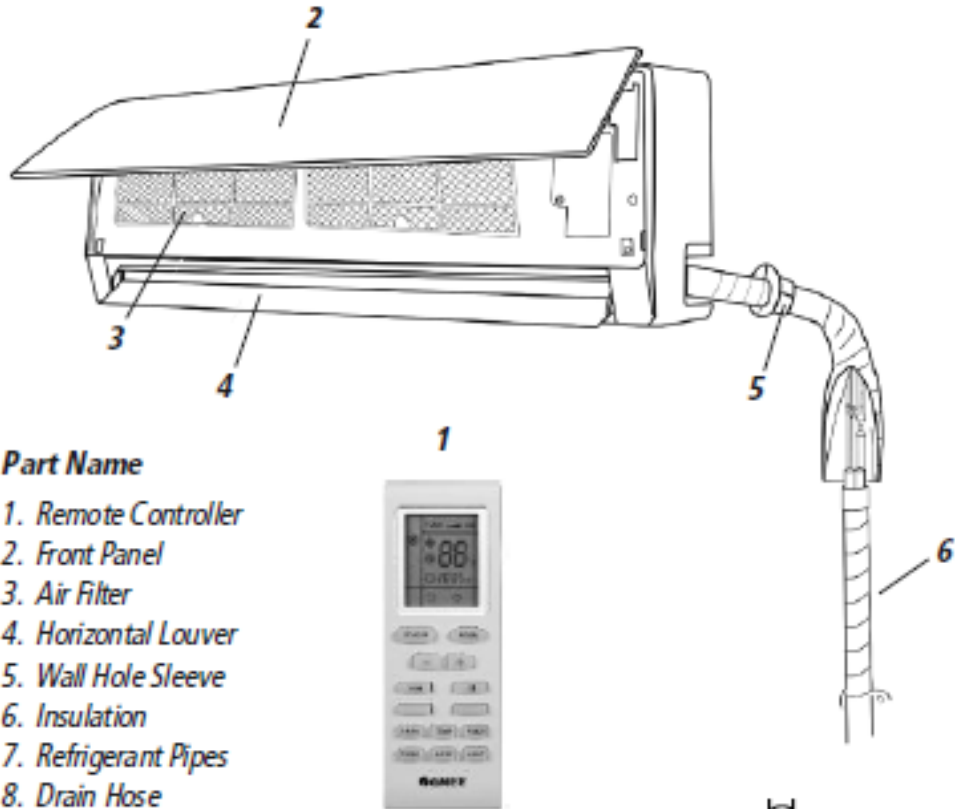
(2014 and later)

Example: RIO24HP230V1AH

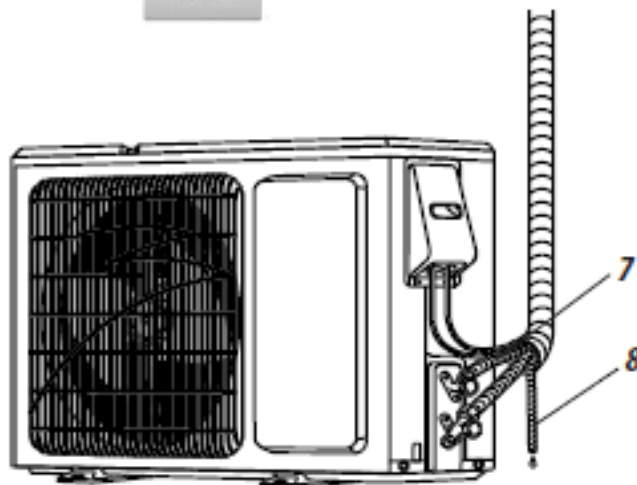


# Typical Product Installation

## Indoor unit

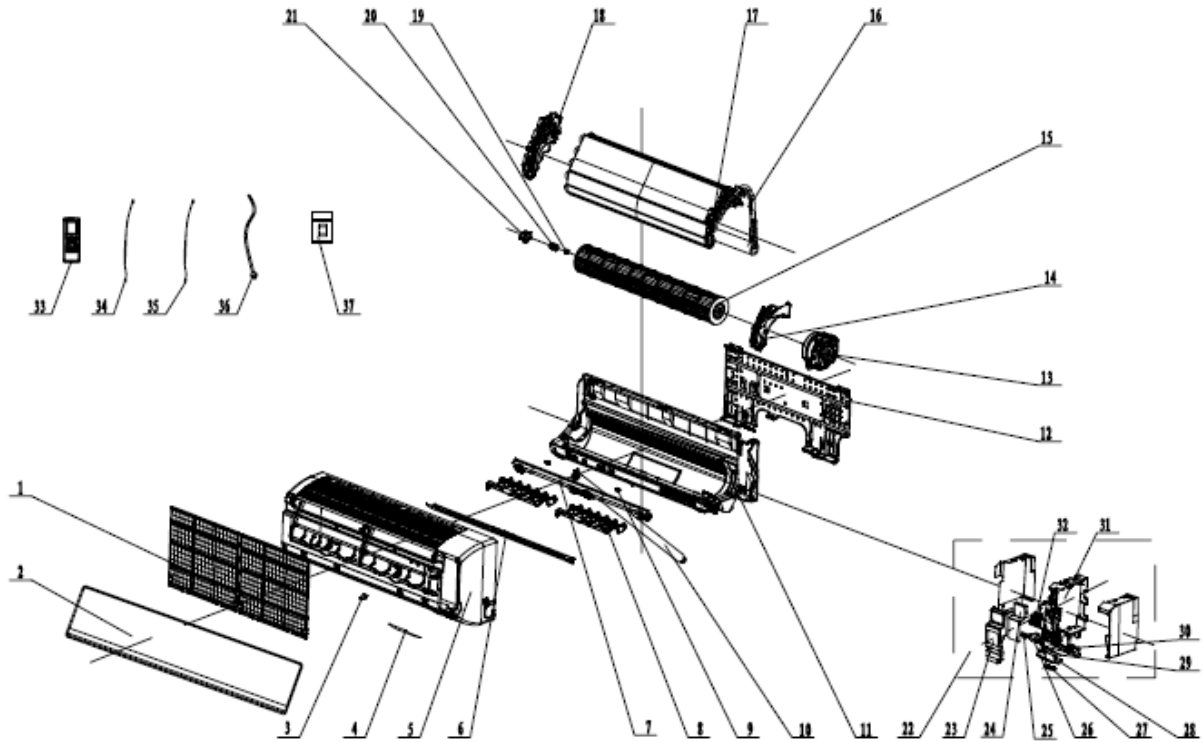


## Outdoor unit



# RIO09HP115V1AH

## 9,000 BTUH 115v Indoor Unit

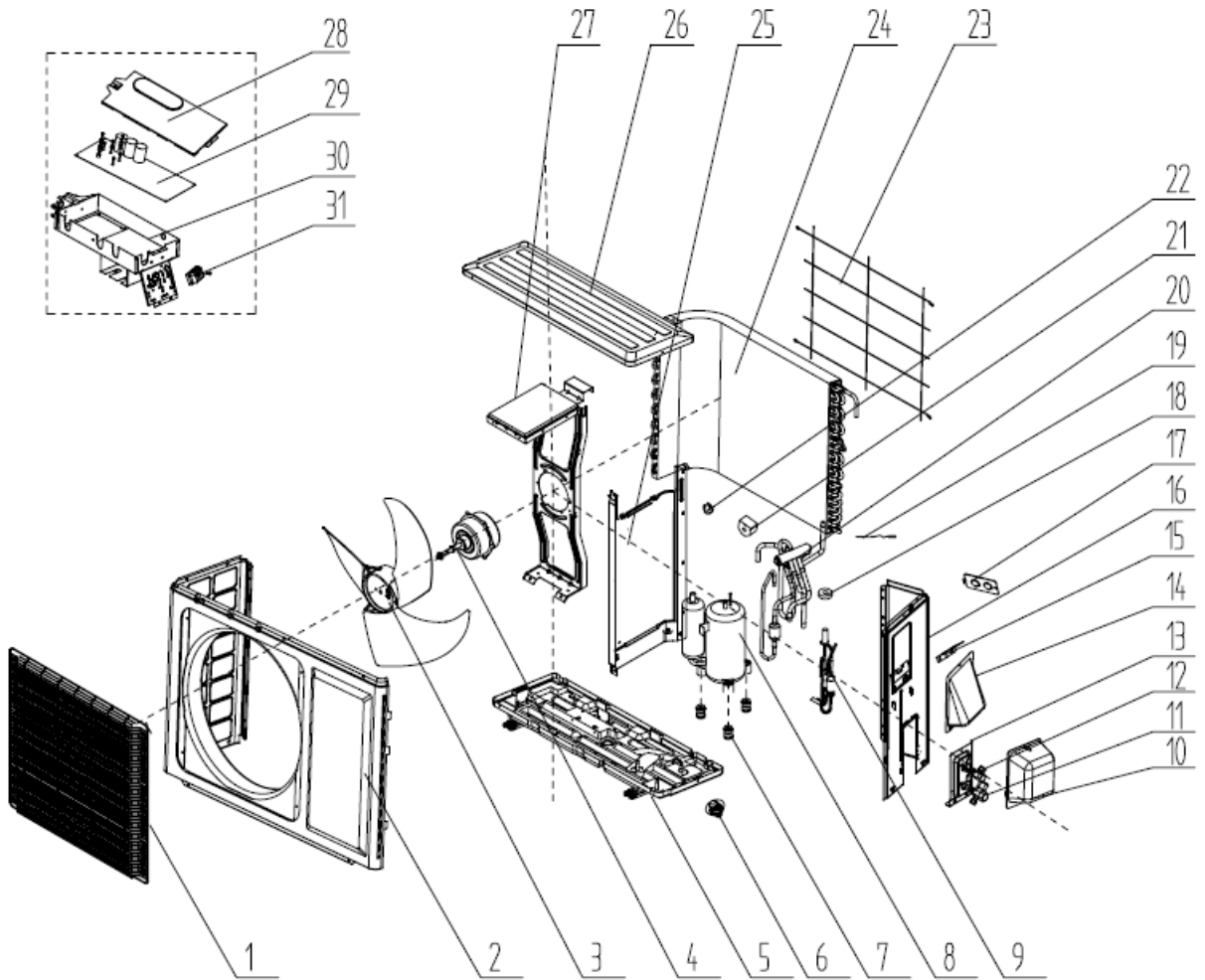


**RIO09HP115V1AH**  
**9,000 BTUH 115v Indoor Unit**  
**Product Code: CB146N22901\_K78059**

NO.	Part Code	Part Description	Qty
1	1112208201	Air Filter	2
2	20012688S	Front Panel	1
3	24252019	Screw Cover	1
4	63062017	Membrane	1
5	2001237501	Front Case Assy	1
6	10512119	Guide Louver	1
7	26112486	Helicoid Tongue	1
8	10512160	Air Louver	2
9	1054202001	Shaft of Guide Louver	2
10	0523204101	Drainage Pipe Sub-Assy	1
11	2220211904	Rear Case Assy	1
12	0125201801A	Wall Mounting Frame	1
13	1500200202	Motor Sub-Assy	1
14	26112191	Motor Support Plate	1
15	10352423	Cross Flow Fan	1
16	01002639	Evaporator Assy	1
17	05212423	Temp Sensor Sleeve	1
18	24212108	Evaporator Support	1
19	76512210	Fan Bearing	1
20	76712032	Bearing Holder	1
21	10542024	Axial Bush Sub-Assy	1
22	20402086	Electric Box Assy	1
23	20122109	Electric Box Cover Sub-Assy	1
24	01592074	Shield Cover	1
25	73012005	Crank	1
26	1521210701	Stepper Motor	1
27	22242083	Indicator Shield Cover	1
28	22242084	Indicator Light Cover	1
29	30568112	Display Board	1
30	20402092	Electric Box Sub-Assy	1
31	3014860101	Main Control Board	1
32	42011233	Terminal Board	1
33	305100621	Remote Controller (YB1F2F XFAN)	1
Not Shown	27210071	Remote Controller Holder/Cradle	1
34	390000453	Ambient Temperature Sensor	1
35	39000305	Indoor Coil Temperature Sensor	1
Not Shown	4202300101	Configuration Jumper Connector	1

# RIO09HP115V1AO

## 9,000 BTUH 115v Outdoor Unit



**RIO09HP115V1AO**  
**9,000 BTUH 115v Outdoor Unit**  
**Product Code: CB146W0431\_K78059**

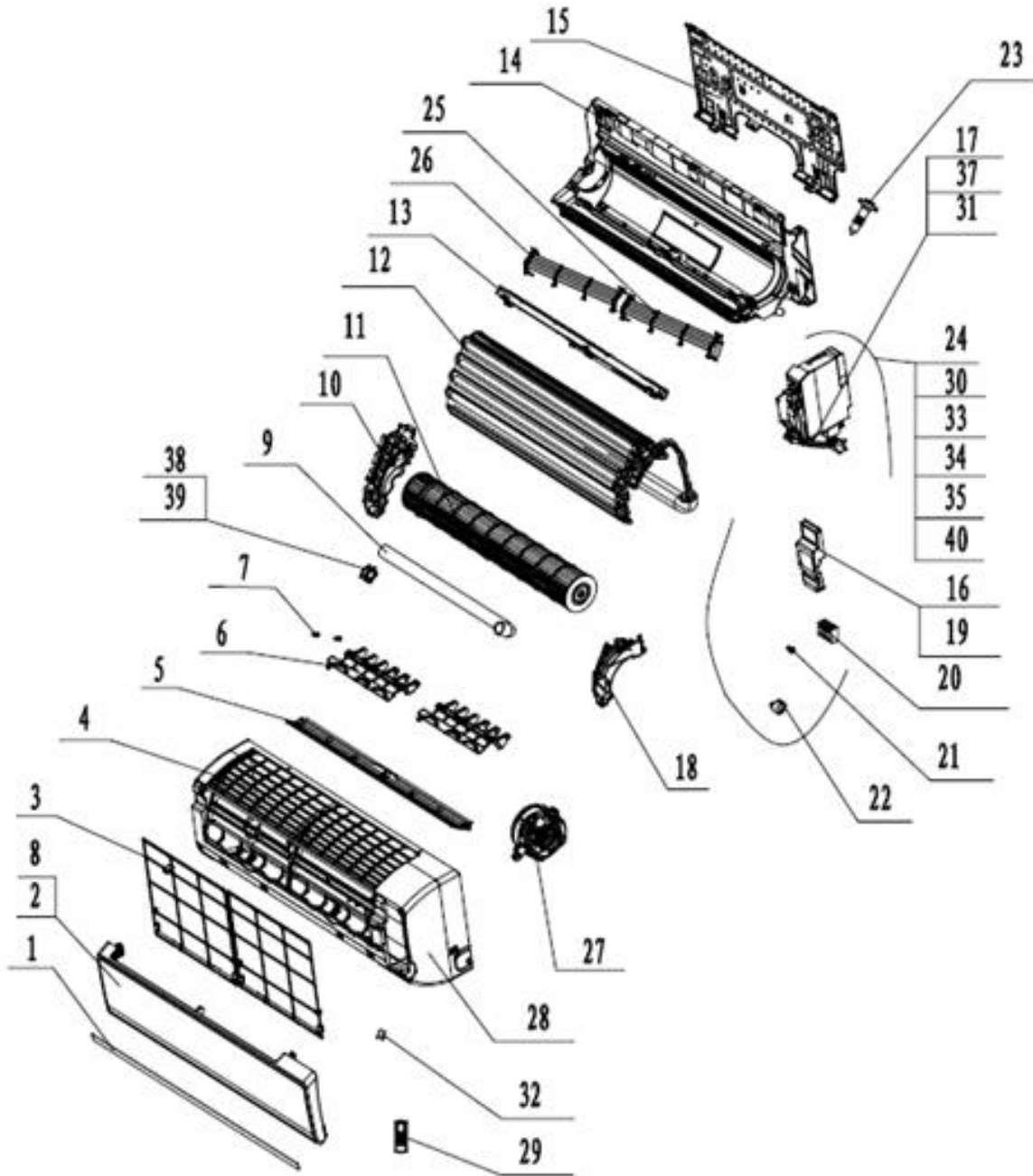
NO.	Part Code	Part Description	Qty
1	01473012	Front Grille	1
2	0143305801P	Cabinet	1
3	10333012	Axial Flow Fan	1
4	15013160	Fan Motor	1
5	0120388101P	Chassis Sub-Assy	1
6	06123401	Drain Connector	1
7	76710302	Compressor Grommets	3
8	00103862	Compressor and Fittings	1
9	07133978	Electronic Expansion Valve	1
Not Show	03143664	Capillary Sub-Assy	1
10	2012300101	Valve Cover	1
11	07100005	Gas/Suction Valve	1
12	07100003	Liquid Line Valve	1
13	01713041	Valve Support	1
14	02123014P	Cable Cross Plate 2	1
15	02123013P	Cable Cross Plate 1	1
16	013030713	Right Side Plate Assy	1
17	01413069	Cover of Pass Wire	1
18	4300876706	Electronic Expansion Valve Solenoid Coil	1
19	39000310	Temperature Sensors Assy**	1
20	430004022	4-Way Valve Assy	1
21	4300040021	4-Way Valve Solenoid Coil	1
22	00183031	Compressor Overload Protector	1
Not Shown	00183032	Compressor Overload Protector	1
Not Shown	00180030	Compressor Overload Protector	1
23	01473057	Rear Grille	1
24	01163685	Condenser Coil Assy	1
25	01233198	Clapboard Sub-Assy	1
26	01253443	Top Cover Plate	1
27	0170300701	Motor Support Sub-Assy	1
28	0260309601	Electric Control Box Cover Sub-Assy	1
29	3014857101	Main Control Board	1
30	02613348	Electric Control Box Assy	1
31	42010313	Terminal Board	1

\*\* Temperature Sensor Assembly contains Discharge, Condenser Coil, and Ambient sensors.



# RIO09HP230V1AH

## 9,000 BTUH 208/230v Indoor Unit

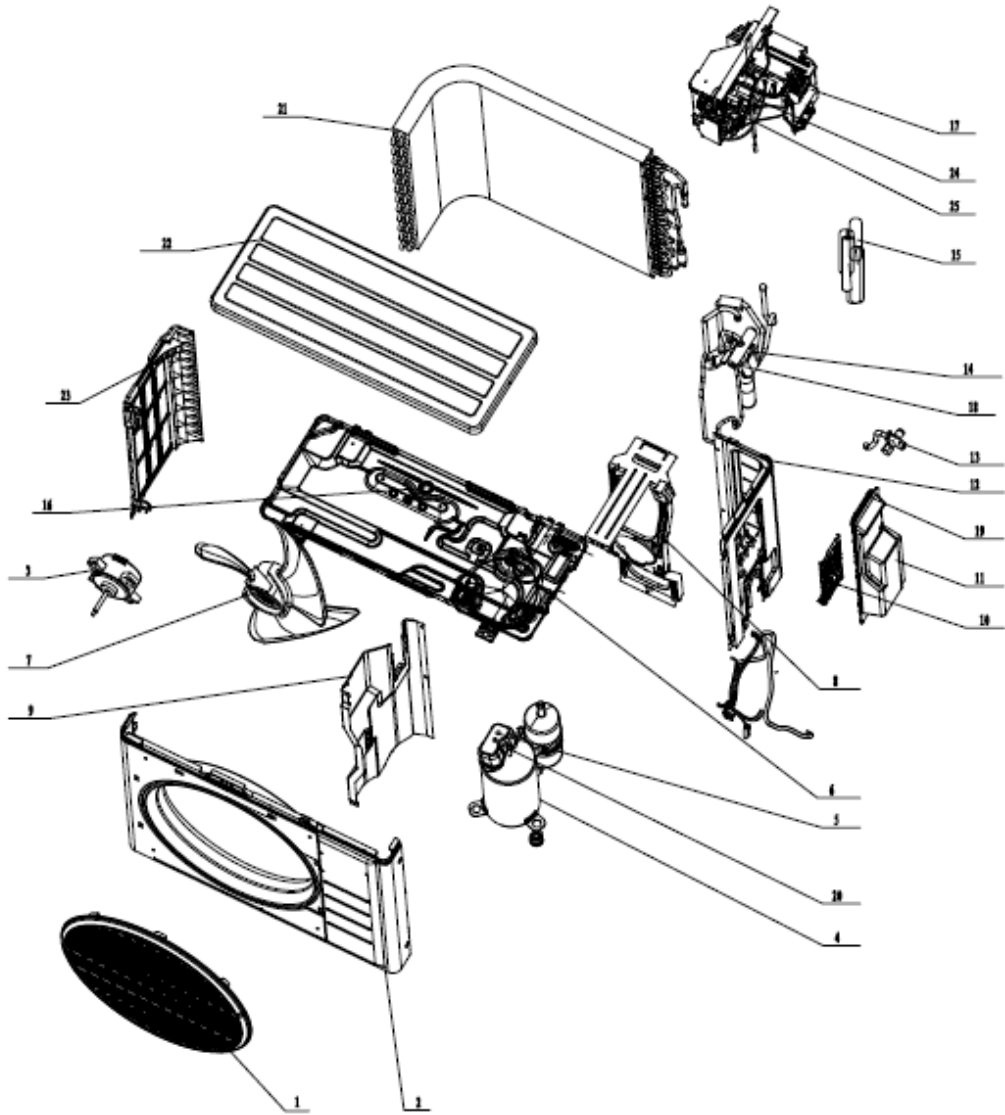


**RIO09HP230V1AH**  
**9,000 BTUH 208/230v Indoor Unit**  
**Product Code: CB146N22400**

NO.	Part Code	Part Description	Qty
1	NA	Decorative Strip	1
2	20012688S	Front Panel	1
3	1112208201	Air Filter	2
4	2001232401	Front Case	1
5	10512119	Guide Louver	1
6	10512160	Air Louver	2
7	1054202001	Shaft of Guide Louver	2
8	NA	Front Panel Assy	1
9	0523204101	Drain Pipe Sub-Assy	1
10	24212108	Evaporator Coil Support	1
11	10352423	Cross Flow Fan	1
12	0100227005	Evaporator Coil Assy	1
13	26112486	Helicoid Tongue	1
14	2220211902	Rear Case Assy	1
15	0125201801A	Wall Mounting Frame	1
16	2012210601	Electric Control Box Cover	1
17	20302587	Electric Control Box Assy	1
18	26112191	Motor Support Plate	1
19	01402058	Electric Box Cover Sub-Assy	1
20	42011233	Terminal Board	1
21	73012005	Crank	1
22	1521210701	Stepper Motor	1
23	76712020	Drain Pipe Plug	1
24	2011208601	Electric Control Box	1
25	11002001	Rear Grille Sub-Assy 2	1
26	24212911	Rear Grille Sub-Assy	1
27	1501209301	Fan Motor	1
28	2001237501	Front Case Assy	1
29	305100621	Remote Controller (YB1F2F XFAN)	1
Not Shown	27210071	Remote Controller Holder/Cradle	1
31	22242084	Indicator Light Cover	1
32	24252019	Screw Cover	1
33	301484391	Main Control Board	1
35	390000453	Ambient Temperature Sensor	1
37	22242083	Indicator Shield Cover	1
38	76512011	Damping Washer Sub-Assy	1
39	10542024	Axial Bushing Sub-Assy	1
40	20302635	Electric Control Box Sub-Assy	1
Not Shown	39000305	Indoor Coil Temperature Sensor	1
Not Shown	30568010	Display Board	1

# RIO09HP230V1AO

## 9,000 BTUH 208/230v Outdoor Unit



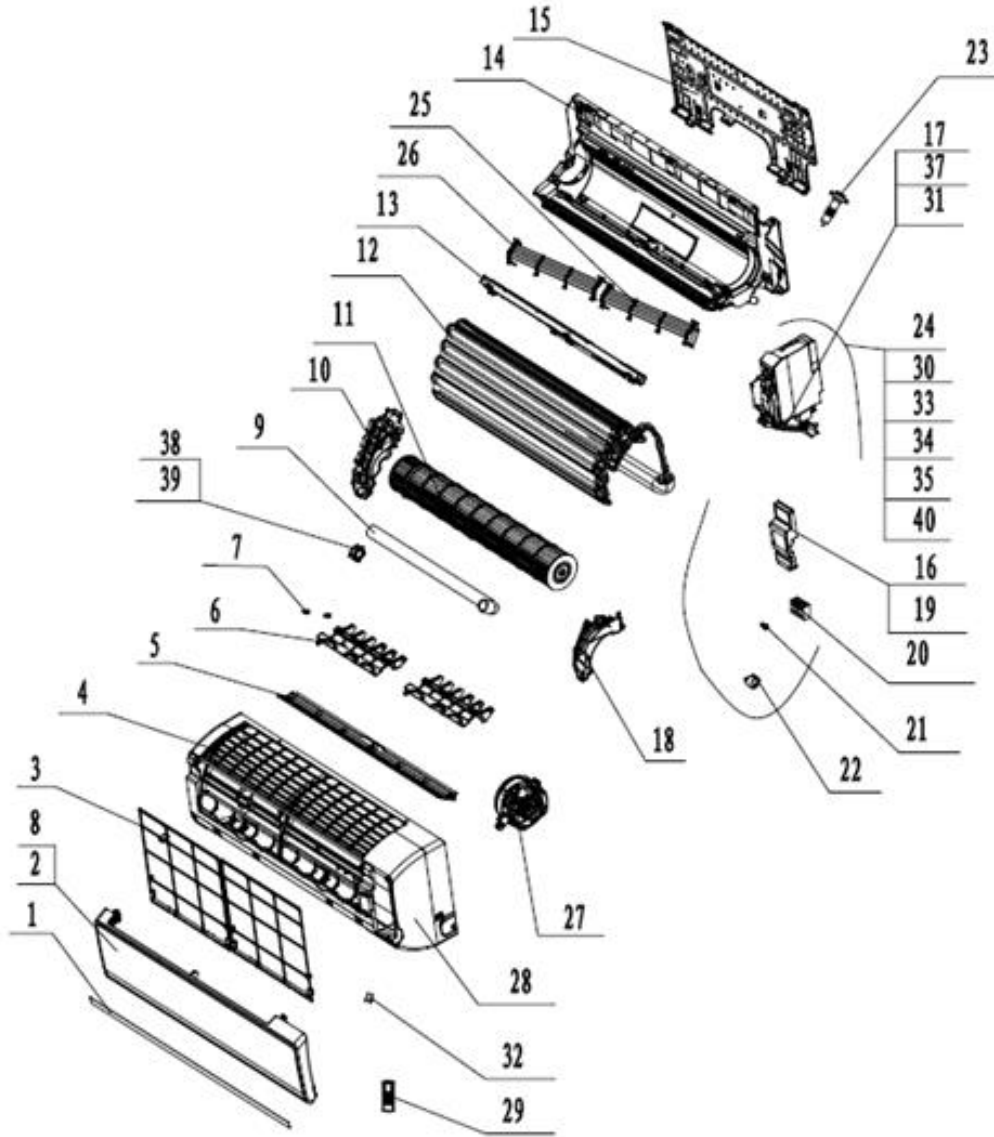
**RIO09HP230V1AO**  
**9,000 BTUH 208/230v Outdoor Unit**  
**Product Code: CB146W18500\_K78059**

NO.	Part Code	Part Description	Qty
1	01473051	Front Grille	1
2	0143304401P	Cabinet	1
3	1501307301	Fan Motor	1
4	00103869G	Compressor and Fittings	1
Not Shown	76710287	Compressor Grommets	3
5	00183031	Compressor Overload Protector	1
Not Shown	00183032	Compressor Overload Protector	1
Not Shown	00180030	Compressor Overload Protector	1
Not Shown	076513004	Electrical Crankcase Heater	1
6	0280309801P	Chassis Sub-Assy	1
7	1033300901	Axial Flow Fan Sub-Assy	1
8	0170312201	Motor Support	1
9	01233088	Clapboard	1
Not Shown	07133078	Gas/Suction Valve	1
Not Shown	07133077	Liquid Line Valve	1
10	01713089	Valve Support	1
11	26233044	Handle	1
12	0130318001	Right Side Plate Sub-Assy	1
13	07133692	Cut off Valve Assy	1
14	430004022	4-Way Valve	1
15	03063983	Capillary Sub-Assy	1
16	06123024	Drain Joint	1
17	02613061	Electric Control Box Assy	1
18	4300040056	4-Way Valve Solenoid Coil	1
21	01113463	Condenser Coil Assy	1
22	01253071	Top Cover Sub-Assy	1
23	20053001	Left Side Plate	1
24	30148395	Main Control Board	1
Not Shown	390030805	Temperature Sensors Assy**	1
25	02613096	Electric Control Box Sub-Assy	1

\*\* Temperature Sensor Assembly contains Discharge, Condenser Coil, and Ambient sensors.

# RIO09HP230V1BH

## 9,000 BTUH 208/230v Indoor Unit

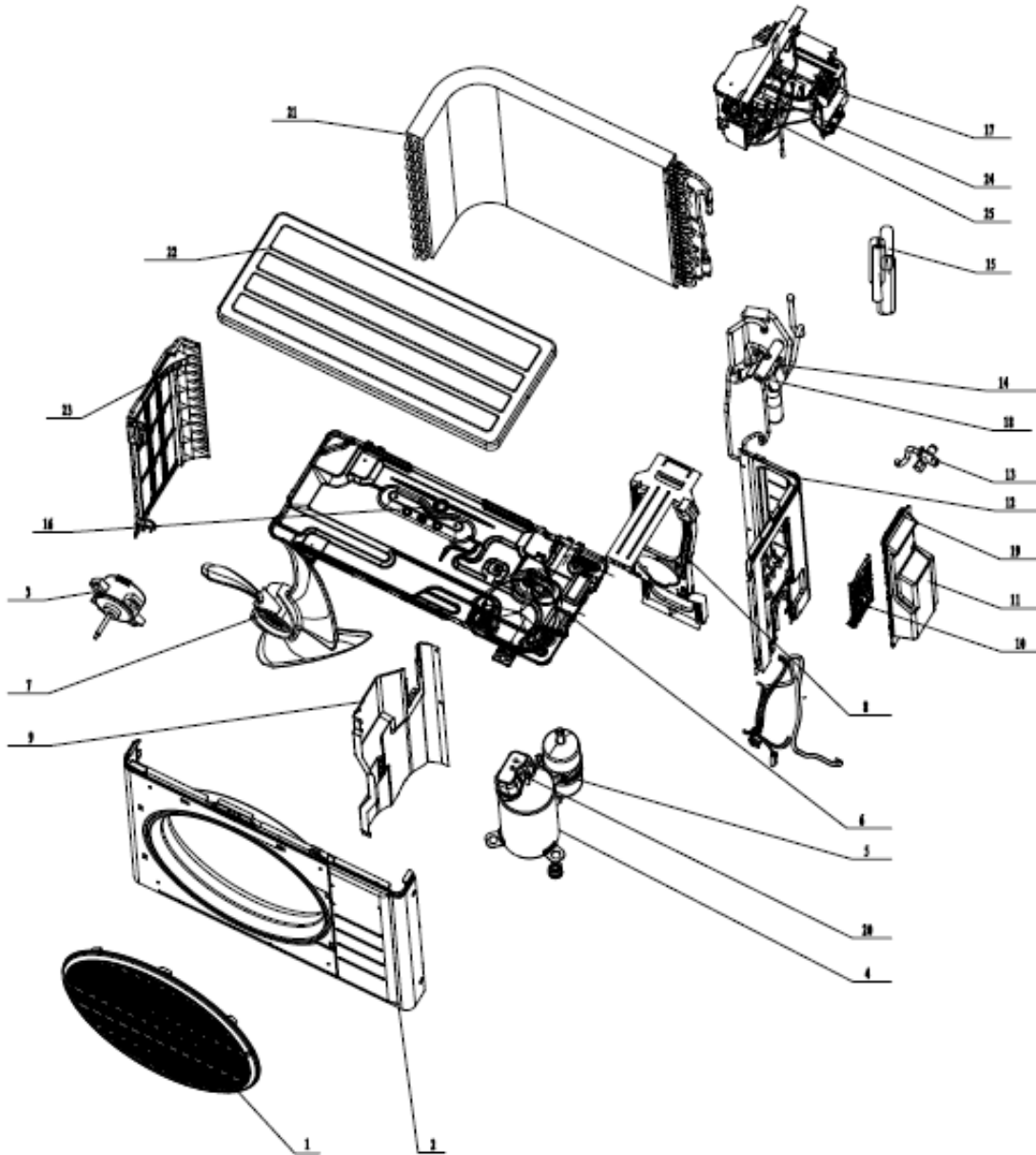


**RIO09HP230V1BH**  
**9,000 BTUH 208/230v Indoor Unit**  
**Product Code: CB146N22901\_K78059**

NO.	Part Code	Part Description	Qty
1	NA	Decorative Strip	1
2	20012688S	Front Panel	1
3	1112208201	Air Filter	2
4	2001232401	Front Case	1
5	10512119	Guide Louver	1
6	10512160	Air Louver	2
7	1054202001	Shaft of Guide Louver	2
8	NA	Front Panel Assy	1
9	0523204101	Drain Pipe Sub-Assy	1
10	24212108	Evaporator Coil Support	1
11	10352423	Cross Flow Fan	1
12	0100227005	Evaporator Coil Assy	1
13	26112486	Helicoid Tongue	1
14	2220211902	Rear Case Assy	1
15	0125201801A	Wall Mounting Frame	1
16	2012210601	Electric Control Box Cover	1
17	20302587	Electric Control Box Assy	1
18	26112191	Motor Support Plate	1
19	01402058	Electric Box Cover Sub-Assy	1
20	42011233	Terminal Board	1
21	73012005	Crank	1
22	1521210701	Stepper Motor	1
23	76712020	Drain Pipe Plug	1
24	2011208601	Electric Control Box	1
25	11002001	Rear Grille Sub-Assy 2	1
26	24212911	Rear Grille Sub-Assy	1
27	1501209301	Fan Motor	1
28	2001237501	Front Case Assy	1
29	305100621	Remote Controller (YB1F2F XFAN)	1
Not Shown	27210071	Remote Controller Holder/Cradle	1
31	22242084	Indicator Light Cover	1
32	24252019	Screw Cover	1
33	301484391	Main Control Board	1
35	390000453	Ambient Temperature Sensor	1
37	22242083	Indicator Shield Cover	1
38	76512011	Damping Washer Sub-Assy	1
39	10542024	Axial Bushing Sub-Assy	1
40	20302635	Electric Control Box Sub-Assy	1
Not Shown	39000305	Indoor Coil Temperature Sensor	1
Not Shown	30568010	Display Board	1

# RIO09HP230V1BO

## 9,000 BTUH 230v Outdoor Unit



**RIO09HP230V1BO**  
**9,000 BTUH 230v Outdoor Unit**  
**Product Code: CB146W18500\_K78059**

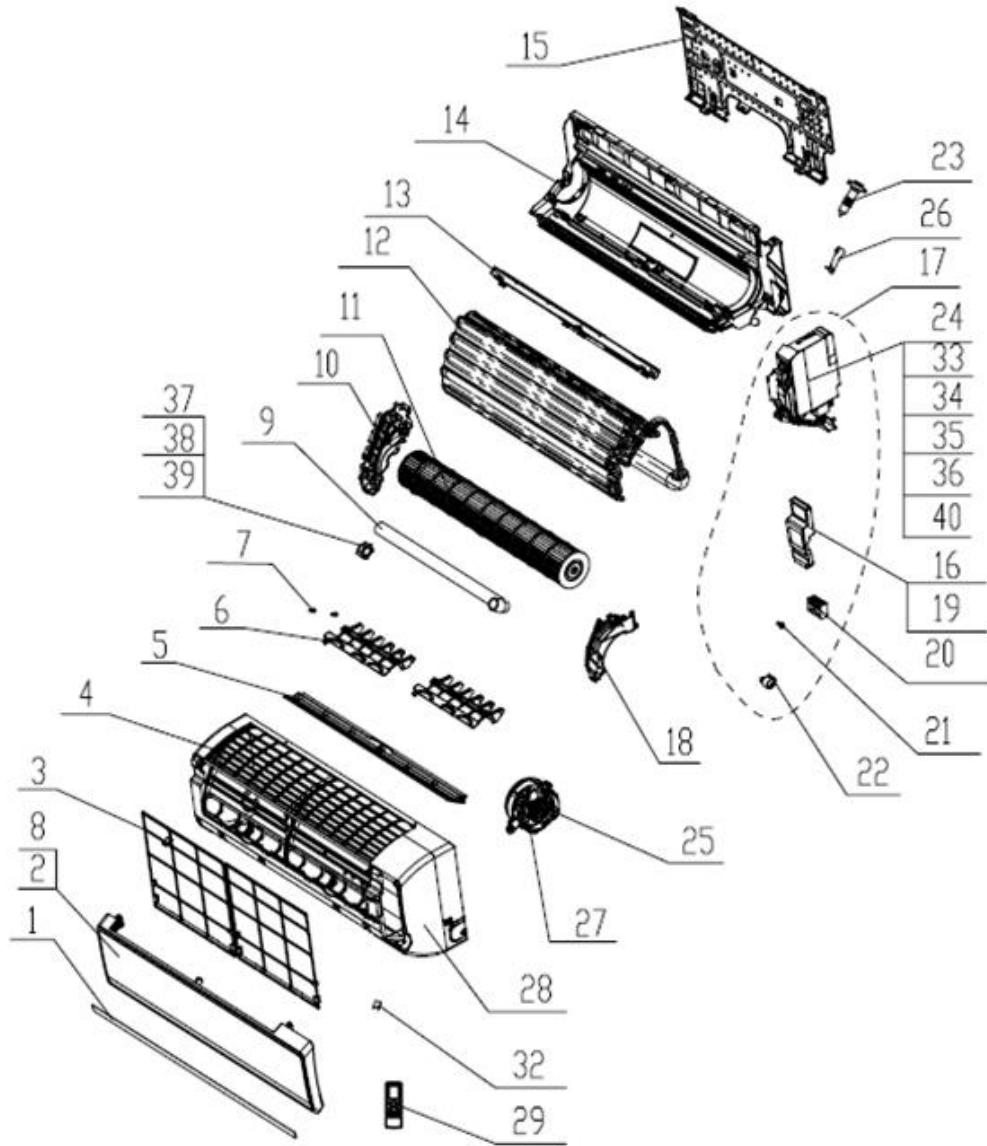
NO.	Part Code	Part Description	Qty
1	01473051	Front Grille	1
2	0143304401P	Cabinet	1
3	1501307301	Fan Motor	1
4	00103869G	Compressor and Fittings	1
Not Shown	76710287	Compressor Grommets	3
5	00183031	Compressor Overload Protector	1
Not Shown	00183032	Compressor Overload Protector	1
Not Shown	00180030	Compressor Overload Protector	1
Not Shown	076513004	Electrical Crankcase Heater	1
6	0280309801P	Chassis Sub-Assy	1
7	1033300901	Axial Flow Fan Sub-Assy	1
8	0170312201	Motor Support	1
9	01233088	Clapboard	1
Not Shown	07133078	Gas/Suction Valve	1
Not Shown	07133077	Liquid Line Valve	1
10	01713089	Valve Support	1
11	26233044	Handle	1
12	0130318001	Right Side Plate Sub-Assy	1
13	07133692	Cut off Valve Assy	1
14	430004022	4-Way Valve	1
15	03063983	Capillary Sub-Assy	1
16	06123024	Drain Joint	1
17	02613061	Electric Control Box Assy	1
18	4300040056	4-Way Valve Solenoid Coil	1
21	01113463	Condenser Coil Assy	1
22	01253071	Top Cover Sub-Assy	1
23	20053001	Left Side Plate	1
24	30148395	Main Control Board	1
Not Shown	390030805	Temperature Sensors Assy**	1
25	02613096	Electric Control Box Sub-Assy	1

\*\* Temperature Sensor Assembly contains Discharge, Condenser Coil, and Ambient sensors.



# RIO12HP115V1AH

## 12,000 BTUH 115v Indoor Unit

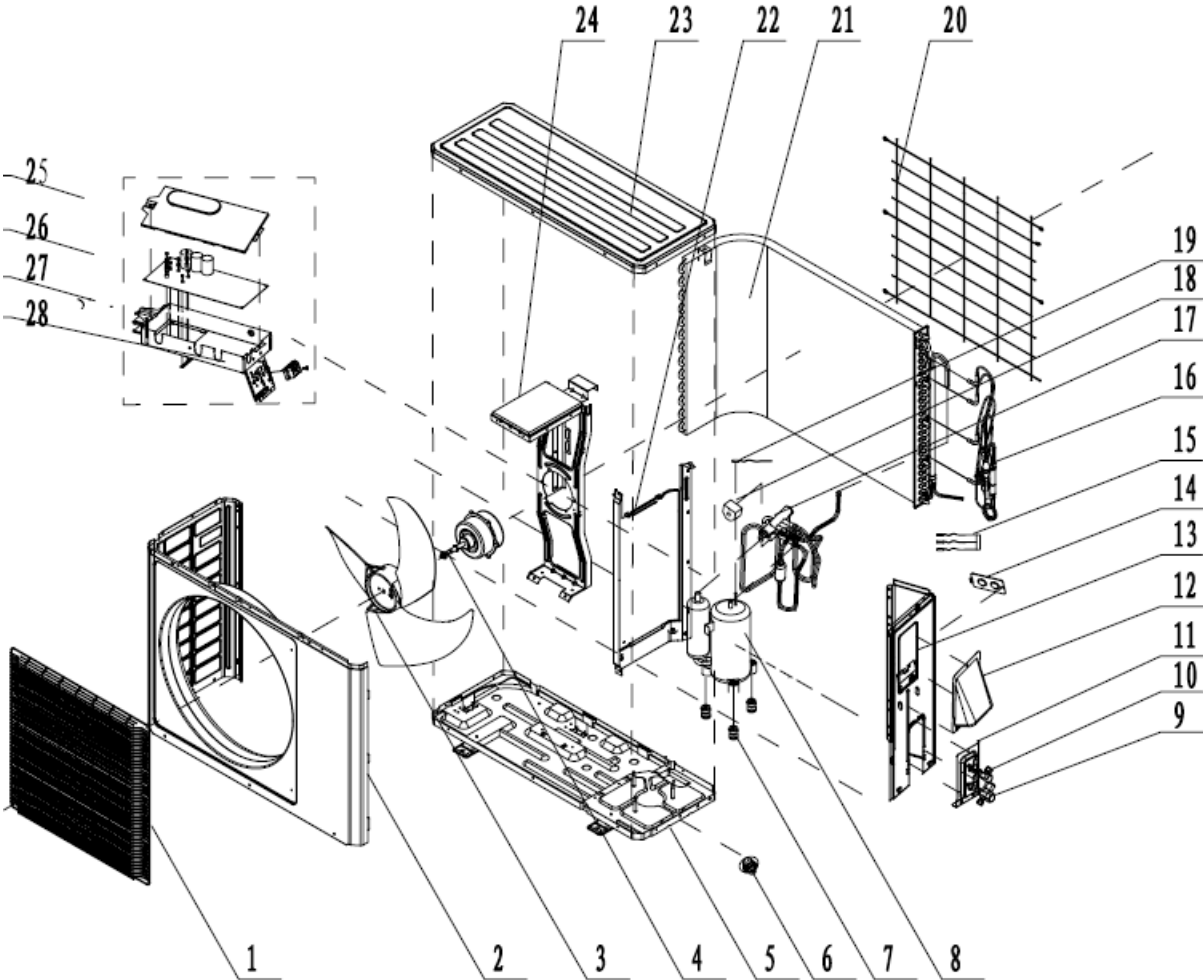


**RIO12HP115V1AH**  
**12,000 BTUH 115v Indoor Unit**  
**Product Code: CB146N12201\_K78059**

NO.	Part Code	Part Description	Qty
1	NA	Decorative Strip	1
2	20012688S	Front Panel	1
3	1112208201	Air Filter	2
4	2001232401	Front Case	1
5	10512119	Guide Louver	1
6	10512160	Air Louver	2
7	1054202001	Shaft of Guide Louver	2
8	NA	Front Panel Assy	1
9	0523204101	Drainage Pipe Sub-Assy	1
10	24212108	Evaporator Coil Support	1
11	10352423	Cross Flow Fan	1
12	01002429	Evaporator Coil Assy	1
13	26112486	Helicoid Tongue	1
14	2220211904	Rear Case Assy	1
15	0125201801A	Wall Mounting Frame	1
16	20122106	Electric Control Box Cover	1
17	20402087	Electric Control Box Assy	1
18	26112191	Motor Support Plate	1
19	20122109	Electric Box Cover Sub-Assy	1
20	42011233	Terminal Board	1
21	73012005	Crank	1
22	1521210701	Stepper Motor	1
23	76712020	Drain Pipe Plug	1
24	20112086	Electric Control Box	1
Not Shown	3014860101	Main Control Board	1
25	1500200202	Motor Sub-Assy	1
26	NA	Baffle Plate	1
27	1501209302	Fan Motor	1
28	2001237501	Front Case Assy	1
29	305100621	Remote Controller (YB1F2F XFAN)	1
Not Shown	27210071	Remote Controller Holder/Cradle	1
32	24252019	Screw Cover	1
34	3301000214	Capacitor CBB61	1
35	390000453	Ambient Temperature Sensor	1
36	44020386	Relay	1
37	76512210	Fan Bearing	1
38	76512011	Damping Washer Sub-Assy	1
39	10542024	Axial Bushing Sub-Assy	1
40	20402094	Electric Box Sub-Assy	1
Not Shown	30568112	Display Board	1
Not Shown	39000305	Indoor Coil Temperature Sensor	1

# RIO12HP115V1AO

## 12,000 BTUH 115v Outdoor Unit



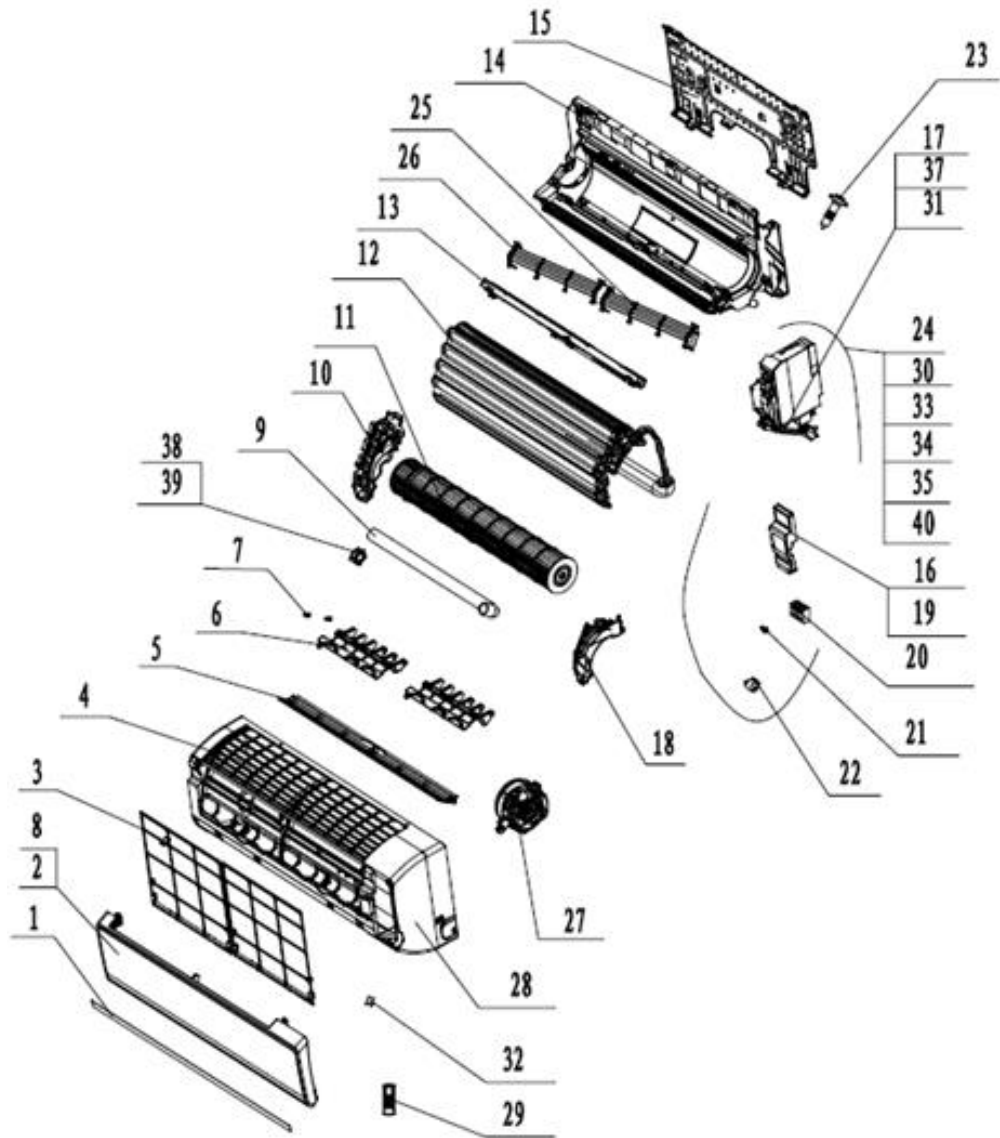
**RIO12HP115V1AO**  
**12,000 BTUH 115v Outdoor Unit**  
**Product Code: CB146W0451\_K78059**

NO.	Part Code	Part Description	Qty
1	01473012	Front Grille	1
2	0143305801P	Cabinet	1
3	10333012	Axial Flow Fan	1
4	15013160	Fan Motor	1
5	0120388101P	Chassis Sub-Assy	1
6	06123401	Drain Connector	1
7	76710302	Compressor Grommets	3
8	00103862	Compressor and Fittings	1
Not Shown	00183031	Compressor Overload Protector	1
Not Shown	00183032	Compressor Overload Protector	1
Not Shown	00180030	Compressor Overload Protector	1
9	07100005	Gas/Suction Valve	1
10	07100003	Liquid Line Valve	1
11	01713041	Valve Support	1
12	02123014P	Cable Cross Plate 2	1
13	013030713	Right Side Plate Assy	1
14	01413069	Cover of Pass Wire	1
15	39000310	Temperature Sensor**	1
16	03143664	Capillary Tube	1
17	430004022	4-Way Valve	1
18	4300040021	4-Way Valve Solenoid Coil	1
20	01473057	Rear Grille	1
21	01163685	Condenser Coil Assy	1
22	01233198	Clapboard Sub-Assy	1
23	01253443	Top Cover Plate	1
24	0170500101	Motor Support	1
25	0260309601	Electric Box Cover Sub-Assy	1
26	3013810801	Main Control Board	1
27	02613287	Electric Control Box Assy	1
28	42010313	Terminal Board	1
Not Shown	4300876706	Electronic Expansion Valve Solenoid Coil	1
Not Shown	07133978	Electronic Expansion Valve	1

\*\* Temperature Sensor Assembly contains Discharge, Condenser Coil, and Ambient sensors.

# RIO12HP230V1AH

## 12,000 BTUH 208/230v Indoor Unit

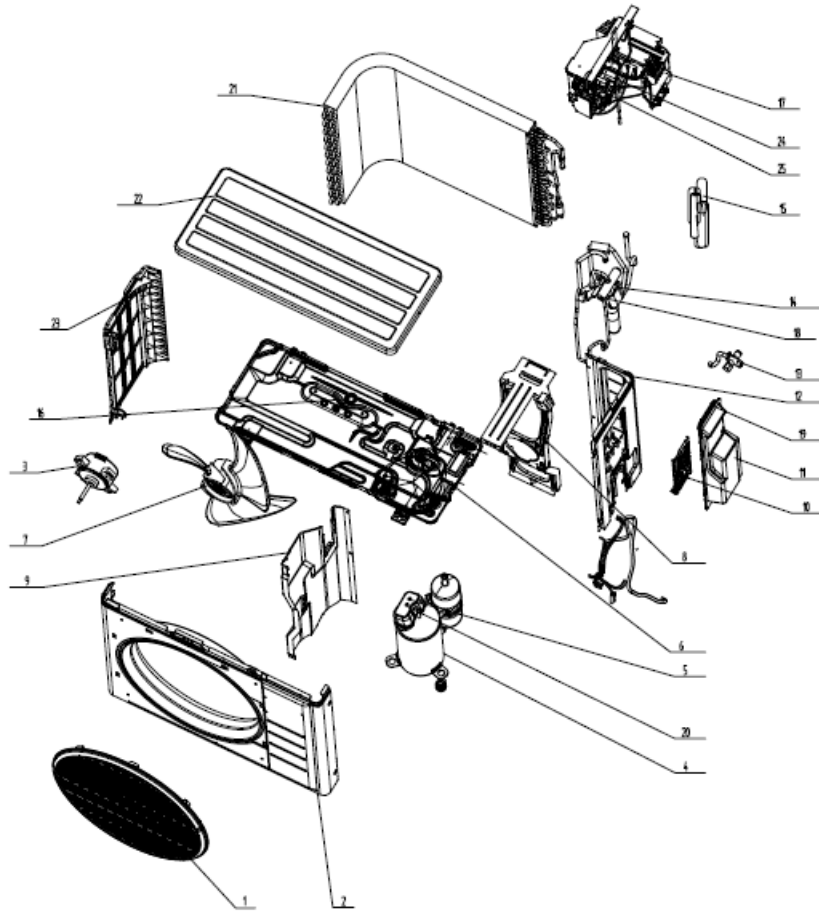


**RIO12HP230V1AH**  
**12,000 BTUH 208/230v Indoor Unit**  
**Product Code: CB146N22800**

NO.	Part Code	Part Description	Qty
1	NA	Decorative Strip	1
2	20012688S	Front Panel	1
3	1112208201	Air Filter	2
4	2001232401	Front Case	1
5	10512119	Guide Louver	1
6	10512160	Air Louver	2
7	1054202001	Shaft of Guide Louver	2
8	NA	Front Panel Assy	1
9	0523204101	Drain Pipe Sub-Assy	1
10	24212108	Evaporator Coil Support	1
11	10352423	Cross Flow Fan	1
12	0100274504	Evaporator Coil Assy	1
13	26112486	Helicoid Tongue	1
14	2220211902	Rear Case Assy	1
15	0125201801A	Wall Mounting Frame	1
16	2012210601	Electric Control Box Cover	1
17	20302589	Electric Control Box Assy	1
18	26112191	Motor Support Plate	1
19	01402058	Electric Box Cover Sub-Assy	1
20	42011233	Terminal Board	1
21	73012005	Crank	1
22	1521210701	Stepper Motor	1
23	76712020	Drain Pipe Plug	1
24	2011208601	Electric Control Box	1
25	11002001	Rear Grille Sub-Assy 2	1
26	24212911	Rear Grille Sub-Assy	1
27	1501209301	Fan Motor	1
28	2001237501	Front Case Assy	1
29	305100621	Remote Controller (YB1F2F XFAN)	1
Not Shown	27210071	Remote Controller Holder/Cradle	1
31	22242084	Indicator Light Cover	1
32	24252019	Screw Cover	1
33	301484411	Main Control Board	1
34	3301000213	Capacitor CBB61	1
35	390000453	Ambient Temperature Sensor	1
37	22242083	Indicator Shield Cover	1
38	76512011	Damping Washer Sub-Assy	1
39	10542024	Axial Bushing Sub-Assy	1
40	20302637	Electric Box Sub-Assy	1
Not Shown	39000305	Indoor Coil Temperature Sensor	1
Not Shown	30568010	Display Board	1

# RIO12HP230V1AO

## 12,000 BTUH 208/230v Outdoor Unit



**RIO12HP230V1AO**  
**12,000 BTUH 208/230v Outdoor Unit**  
**Product Code: CB146W18700\_K78059**

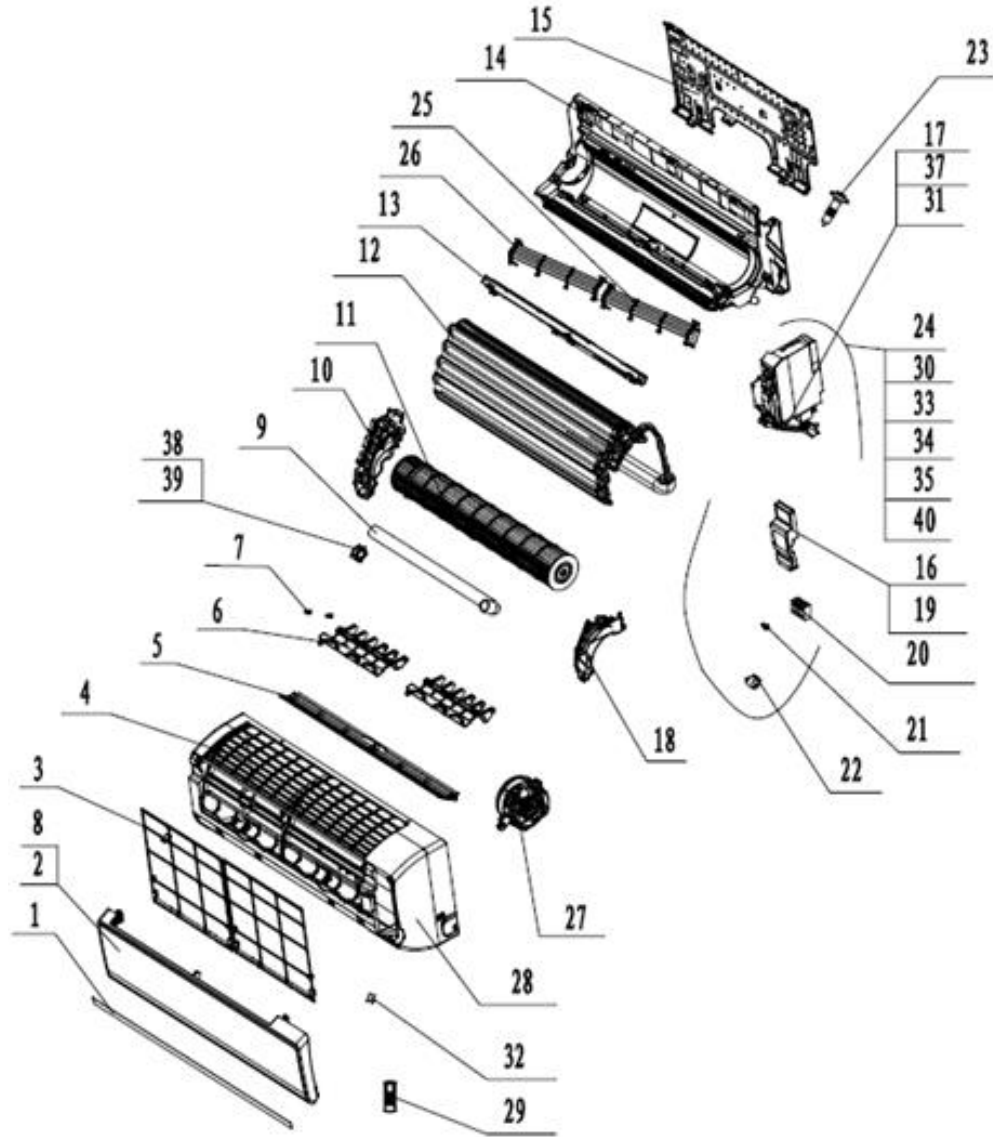
NO.	Part Code	Part Description	Qty
1	01473051	Front Grille	1
2	01433061	Cabinet Sub-Assy	1
3	1501307301	Fan Motor	1
4	00103869G	Compressor and Fittings	1
Not Shown	76710287	Compressor Grommets	3
5	00183031	Compressor Overload Protector	1
Not Shown	00183032	Compressor Overload Protector	1
Not Shown	00180030	Compressor Overload Protector	1
Not Shown	76513004	Electrical Crankcase Heater	1
6	0280309801P	Chassis Sub-Assy	1
7	1033300901	Axial Flow Fan Sub-Assy	1
8	01703122	Motor Support	1
9	01233088	Clapboard	1
Not Shown	07133078	Gas/Suction Valve	1
Not Shown	07133077	Liquid Line Valve	1
10	01713089	Valve Support	1
11	26233044	Handle	1
12	0130318001	Right Side Plate Sub-Assy	1
13	07133689	Cut off Valve Assy	1
14	430004022	4-Way Valve	1
15	030006000179	Capillary Sub-Assy	1
16	06123024	Drain Joint	1
17	02613063	Electric Control Box Assy	1
18	4300040056	4-Way Valve Solenoid Coil	1
21	01113501	Condenser Coil Assy	1
22	01253071	Top Cover Sub-Assy	1
23	20053001	Left Side Plate	1
24	30148397	Main Control Board	1
Not Shown	390030805	Temperature Sensors Assy**	1
Not Shown	30033081	Filter Board	1
No Shown	43130184	Reactor	1
25	02613098	Electric Control Box Sub-Assy	1

\*\* Temperature Sensor Assembly contains Discharge, Condenser Coil, and Ambient sensors.



# RIO12HP230V1BH

## 12,000 BTUH 208/230v Indoor Unit

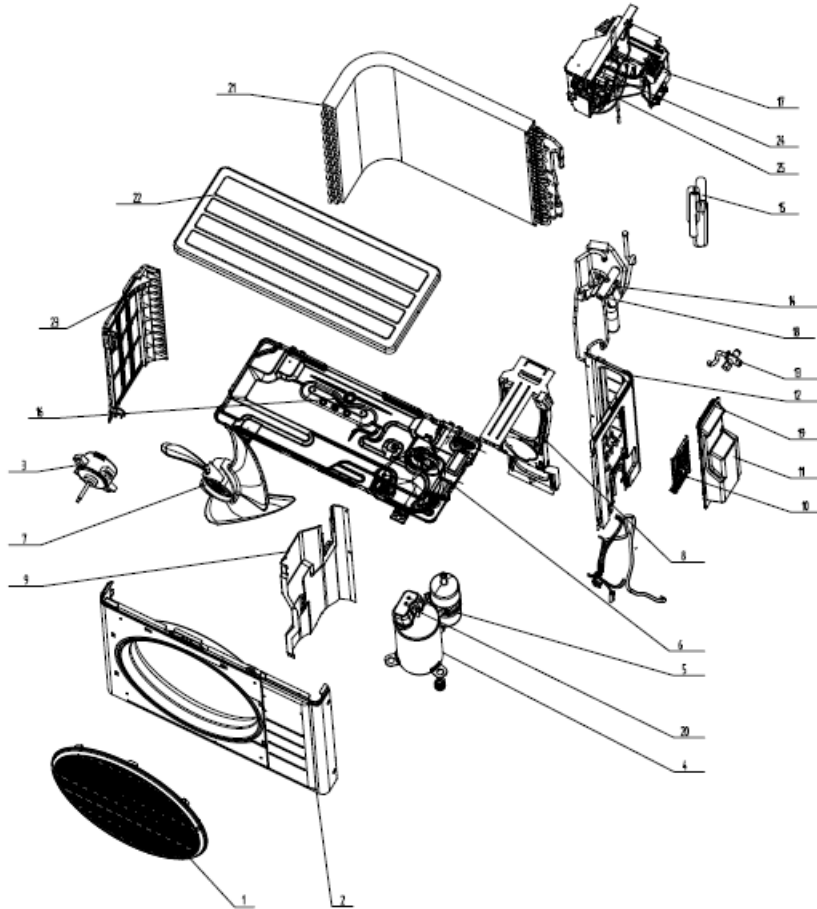


**RIO12HP230V1BH**  
**12,000 BTUH 208/230v Indoor Unit**  
**Product Code: CB146N22800\_K78059**

NO.	Part Code	Part Description	Qty
1	NA	Decorative Strip	1
2	20012688S	Front Panel	1
3	1112208201	Air Filter	2
4	2001232401	Front Case	1
5	10512119	Guide Louver	1
6	10512160	Air Louver	2
7	1054202001	Shaft of Guide Louver	2
8	NA	Front Panel Assy	1
9	0523204101	Drain Pipe Sub-Assy	1
10	24212108	Evaporator Coil Support	1
11	10352423	Cross Flow Fan	1
12	0100274504	Evaporator Coil Assy	1
13	26112486	Helicoid Tongue	1
14	2220211902	Rear Case Assy	1
15	0125201801A	Wall Mounting Frame	1
16	2012210601	Electric Control Box Cover	1
17	20302589	Electric Control Box Assy	1
18	26112191	Motor Support Plate	1
19	01402058	Electric Box Cover Sub-Assy	1
20	42011233	Terminal Board	1
21	73012005	Crank	1
22	1521210701	Stepper Motor	1
23	76712020	Drain Pipe Plug	1
24	2011208601	Electric Control Box	1
25	11002001	Rear Grille Sub-Assy 2	1
26	24212911	Rear Grille Sub-Assy	1
27	1501209301	Fan Motor	1
28	2001237501	Front Case Assy	1
29	305100621	Remote Controller (YB1F2F XFAN)	1
Not Shown	27210071	Remote Controller Holder/Cradle	1
30	NA	Configuration Jumper Connector	0
31	22242084	Indicator Light Cover	1
32	24252019	Screw Cover	1
33	301484411	Main Control Board	1
34	3301000213	Capacitor CBB61	1
35	390000453	Ambient Temperature Sensor	1
37	22242083	Indicator Shield Cover	1
38	76512011	Damping Washer Sub-Assy	1
39	10542024	Axial Bushing Sub-Assy	1
40	20302637	Electric Box Sub-Assy	1
Not Shown	39000305	Indoor Coil Temperature Sensor	1
Not Shown	30568010	Display Board	1

# RIO12HP230V1BO

## 12,000 BTUH 208/230v Outdoor Unit



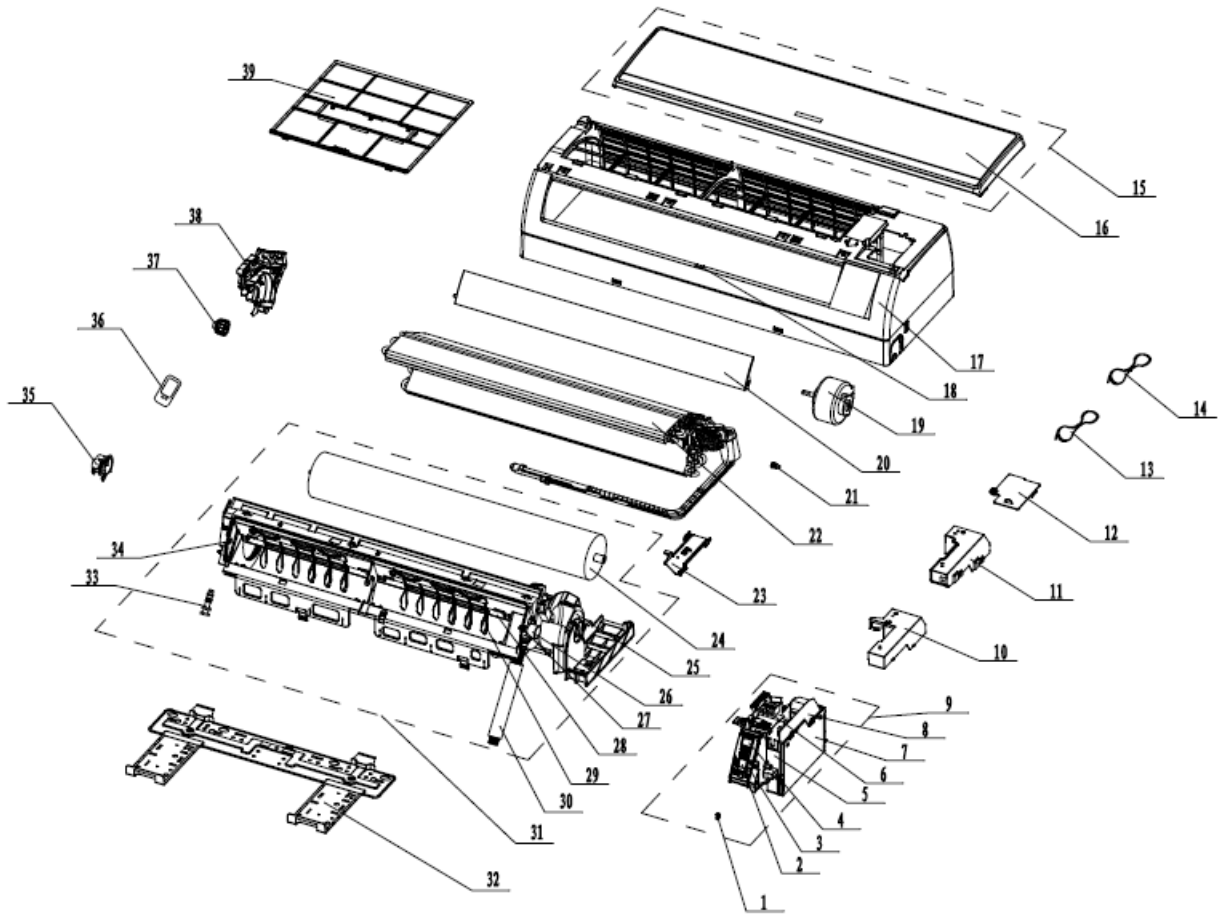
**RIO12HP230V1BO**  
**12,000 BTUH 208/230v Outdoor Unit**  
**Product Code: CB146W18700\_K78059**

NO.	Part Code	Part Description	Qty
1	01473051	Front Grille	1
2	01433061	Cabinet Sub-Assy	1
3	1501307301	Fan Motor	1
4	00103869G	Compressor and Fittings	1
Not Shown	76710287	Compressor Grommets	3
5	00183031	Compressor Overload Protector	1
Not Shown	00183032	Compressor Overload Protector	1
Not Shown	00180030	Compressor Overload Protector	1
Not Shown	76513004	Electrical Crankcase Heater	1
6	0280309801P	Chassis Sub-Assy	1
7	1033300901	Axial Flow Fan Sub-Assy	1
8	01703122	Motor Support	1
9	01233088	Clapboard	1
Not Shown	07133078	Gas/Suction Valve	1
Not Shown	07133077	Liquid Line Valve	1
10	01713089	Valve Support	1
11	26233044	Handle	1
12	0130318001	Right Side Plate Sub-Assy	1
13	07133689	Cut off Valve Assy	1
14	430004022	4-Way Valve	1
15	030006000179	Capillary Sub-Assy	1
16	06123024	Drain Joint	1
17	02613063	Electric Control Box Assy	1
18	4300040056	4-Way Valve Solenoid Coil	1
21	01113501	Condenser Coil Assy	1
22	01253071	Top Cover Sub-Assy	1
23	20053001	Left Side Plate	1
24	30148397	Main Control Board	1
Not Shown	390030805	Temperature Sensors Assy**	1
Not Shown	30033081	Filter Board	1
No Shown	43130184	Reactor	1
25	02613098	Electric Control Box Sub-Assy	1

\*\* Temperature Sensor Assembly contains Discharge, Condenser Coil, and Ambient sensors.

# RIO18HP230V1AH

## 18,000 BTUH 208/230v Indoor Unit

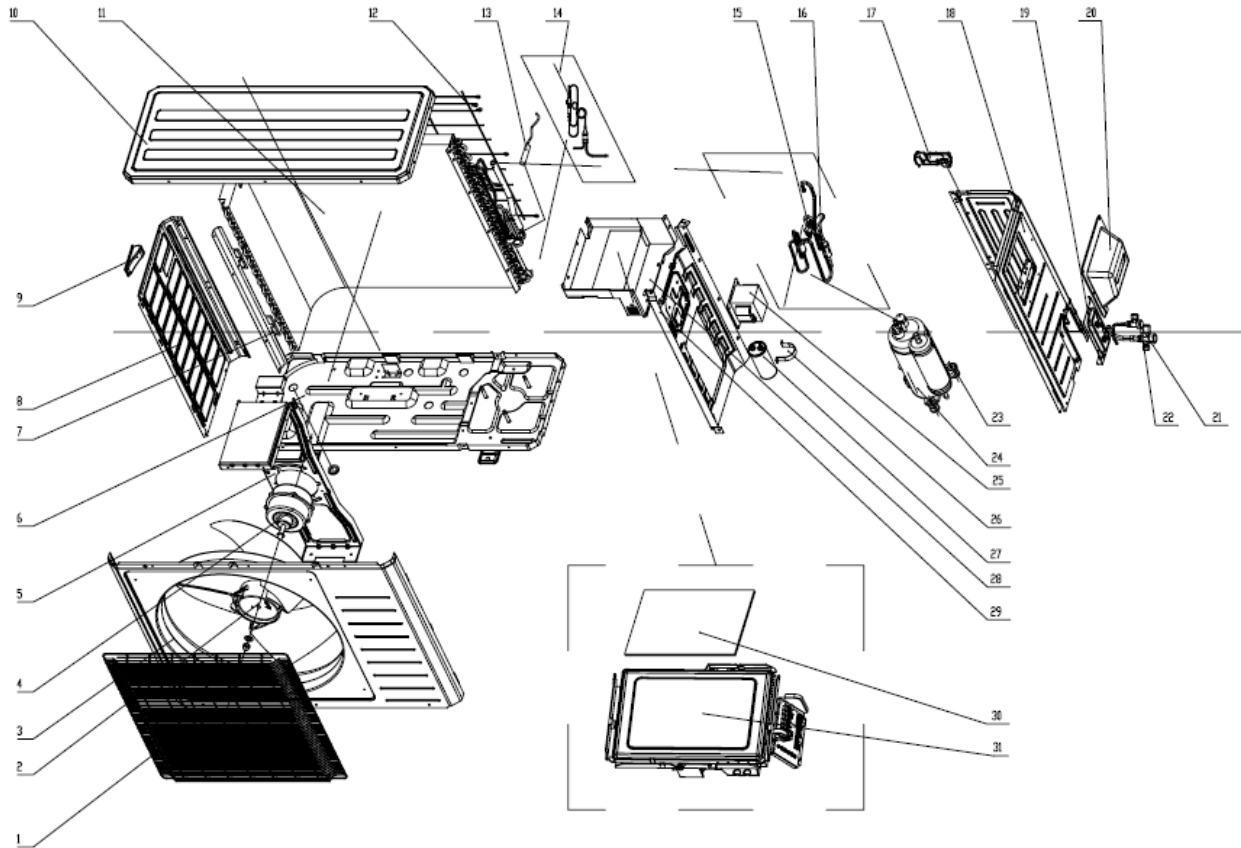


**RIO18HP230V1AH**  
**18,000 BTUH 208/230v Indoor Unit**  
**Product Code: CB146N22200\_K78059**

NO.	Part Code	Part Description	Qty
1	4202300118	Configuration Jumper Connector	1
2	22242083	Indicator Shield Cover	1
3	22242084	Indicator Light Cover	1
4	30568112	Display Board	1
5	2011210302	Electric Control Box	1
6	42011233	Terminal Board	1
7	01592087	Shield Cover of Electric Box	1
8	30138509	Main Control Board	1
9	20102000493	Electric Control Box Assy	1
10	2012212302	Electric Control Box Cover	1
11	01592088	Shield Cover of Electric Box Cover	1
12	2012214209	Electric Box Cover	1
15	none	Front Panel Assy	0
16	20012676S	Front Panel B1	1
17	20012497	Front Case Assy	1
18	242520041	Screw Cover	1
19	1501214601	Fan Motor	1
20	10512140	Guide Louver	1
21	10542036	Axial Bushing	1
22	01002000038	Evaporator Coil Assy	1
23	26112164	Connecting Pipe Clamp	1
24	10352036	Cross Flow Fan	1
25	26112231	Motor Support Plate	1
26	15012086	Stepper Motor	1
27	10582070	Crank	1
28	26112232	Helicoid Tongue	1
29	10512160	Air Louver	2
30	0523001407	Drain Hose	1
31	22202154	Rear Case Assy	1
32	01252484	Wall Mounting Frame	1
33	76712012	Rubber Drain Plug	1
34	10512037	Left Axial Bushing	1
35	26152022	Bearing Ring	1
36	305100621	Remote Controller (YB1F2F XFAN)	1
Not Shown	27210071	Remote Controller Holder/Cradle	1
37	7651205102	Bearing O-Gasket sub-Assy	1
38	24212119	Evaporator Coil Support	1
39	11122104	Air Air Filter	2
Not Shown	390000453	Ambient Temperature Sensor	1
Not Shown	390000632	Indoor Coil Temperature Sensor	1

# RIO18HP230V1AO

## 18,000 BTUH 208/230v Outdoor Unit



**RIO18HP230V1AO**  
**18,000 BTUH 208/230v Outdoor Unit**  
**Product Code: CB146W17300\_K78059**

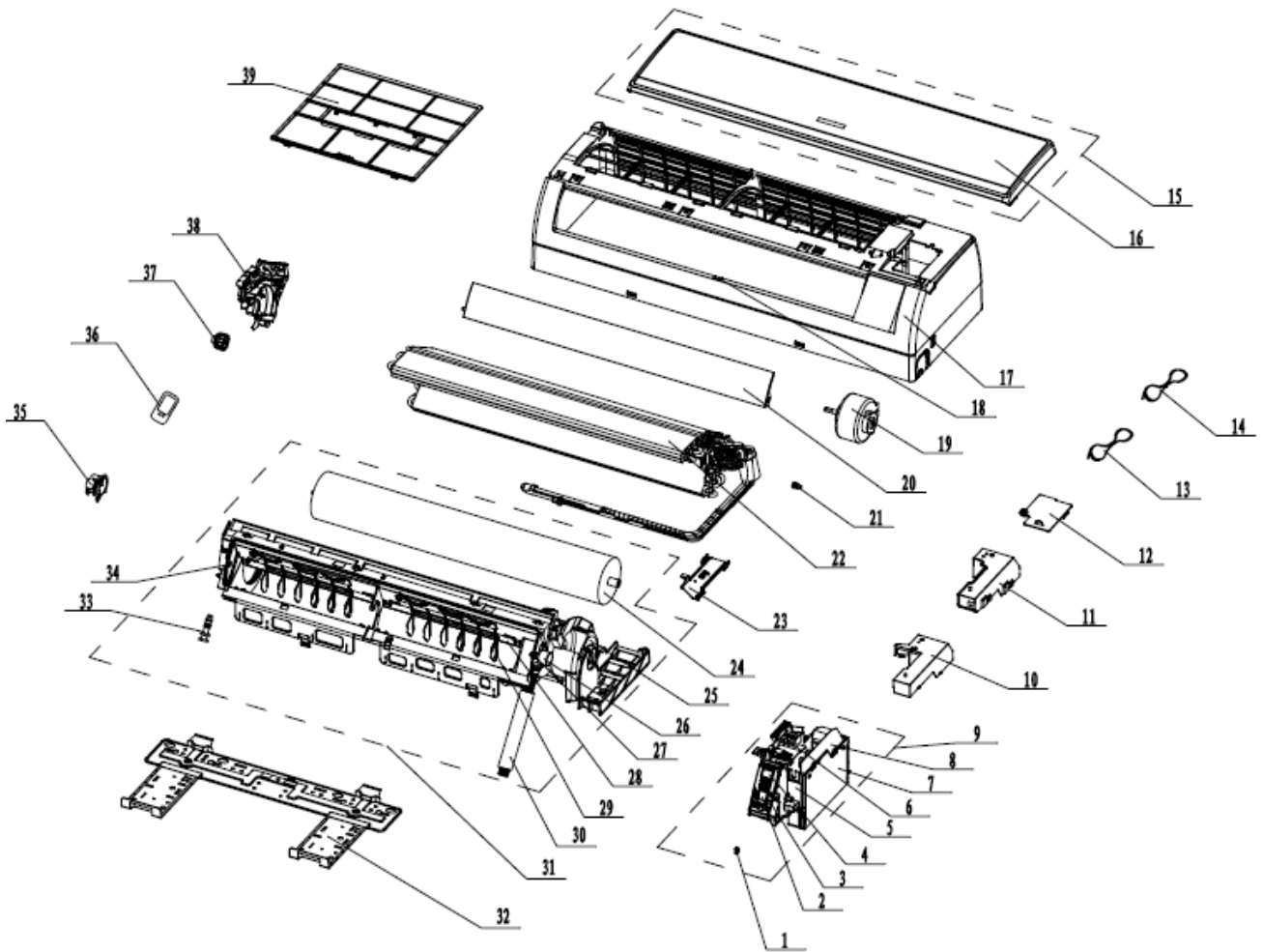
NO.	Part Code	Part Description	Qty
1	01473049	Front Grille	1
2	10335008	Axial Flow Fan	1
3	01433069	Cabinet Assy	1
4	1501506302	Fan Motor	1
5	01705020	Motor Support Sub-Assy	1
6	02803066P	Chassis Sub-Assy	1
7	01795010	Supporting Board(Condenser)	1
8	01305093P	Left Side Plate	1
9	26233053	Handle	1
Not Shown	02113032P	Handle Assy	1
10	01255005P	Top Cover	1
11	01163465	Condenser Coil Assy	1
12	01473043	Rear Grille	1
13	3900030901	Temperature Sensors**	1
14	03063947	Capillary Sub-Assy	1
Not Shown	4300040045	4-Way Valve Solenoid Coil	1
16	430004032	4-Way Valve	1
17	26115004	Wiring Clamp	1
18	0130509403P	Right Side Plate	1
Not Shown	07130239	Liquid Line Valve	1
Not Shown	071302392	Gas/Suction Valve	1
19	01715010P	Valve Support Assy	1
20	02113109	Handle Assy	1
21	07130239	Cut off Valve	1
22	07133060	Cut off Valve Sub-Assy	1
23	76715021	Compressor Grommets	3
24	00205262	Compressor and fittings	1
Not Shown	00183043	Compressor Overload Protector(External)	1
25	43130021	Reactor	1
26	01413098	Capacitor Clamp Sub-Assy	1
27	33000065	Capacitor CBB65	1
Not Shown	33010010	Capacitor CBB61	1
28	01413148	Electric Control Box	1
29	01232902	Clapboard Sub-Assy	1
30	20113003	Insulated Plate of Electric Box Cover	1
31	02613035	Electric Control Box Assy	1
Not Shown	301483641	Main Control Board	1

\*\* Temperature Sensor Assembly contains Discharge, Condenser Coil, and Ambient sensors.



# RIO18HP230V1BH

## 18,000 BTUH 208/230v Indoor Unit

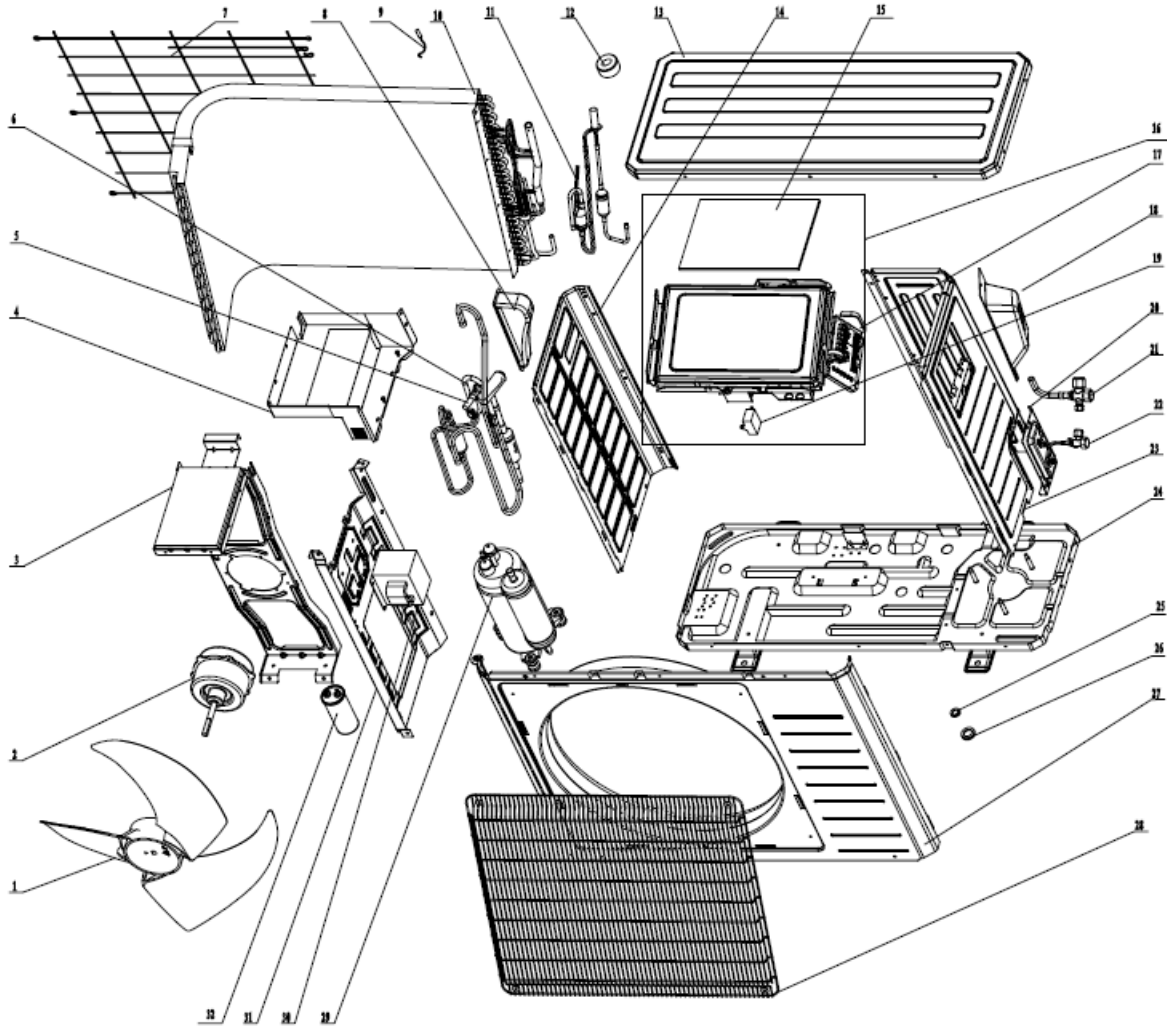


**RIO18HP230V1BH**  
**18,000 BTUH 208/230v Indoor Unit**  
**Product Code: CB146N22800\_K78059**

NO.	Part Code	Part Description	Qty
1	4202300116	Configuration Jumper Connector	1
2	22242083	Indicator Shield Cover	1
3	22242084	Indicator Light Cover	1
4	30568112	Display Board	1
5	2011210302	Electric Control Box	1
6	42011233	Terminal Board	1
7	01592087	Shield Cover of Electric Box	1
8	30138000072	Main Board	1
9	20102000545	Electric Control Box Assy	1
10	2012212302	Electric Control Box Cover	1
11	01592088	Shield Cover of Electric Box Cover	1
12	2012214209	Electric Control Box Cover 2	1
16	20012676S	Front Panel - B1	1
17	20012497	Front Case Assy	1
18	242520041	Screw Cover	1
19	1501214601	Fan Motor	1
20	10512140	Guide Louver	1
21	10542036	Axial Bushing	1
22	01002000038	Evaporator Coil Assy	1
23	26112164	Connecting Pipe Clamp	1
24	10352036	Cross Flow Fan	1
25	26112231	Motor Press Plate	1
26	15012086	Stepper Motor	1
27	10582070	Crank	1
28	26112232	Helicoid Tongue	1
29	10512160	Air Louver	2
30	0523001407	Drain Hose	1
31	22202154	Rear Case Assy	1
32	01252484	Wall Mounting Frame	1
33	76712012	Rubber Drain Plug (Water Tray)	1
34	10512037	Left Axial Bushing	1
35	26152022	Bearing Ring	1
36	305100621	Remote Controller (YB1F2F XFAN)	1
Not Shown	27210071	Remote Controller Holder/Cradle	1
37	7651205102	Bearing O-Ring Gasket sub-Assy	1
38	24212119	Evaporator Coil Support	1
39	11122104	Air Filter	2
Not Shown	390000453	Ambient Temperature Sensor	1
Not Shown	390000591	Indoor Coil Temperature Sensor	1

# RIO18HP230V1BO

## 18,000 BTUH 208/230v Outdoor Unit



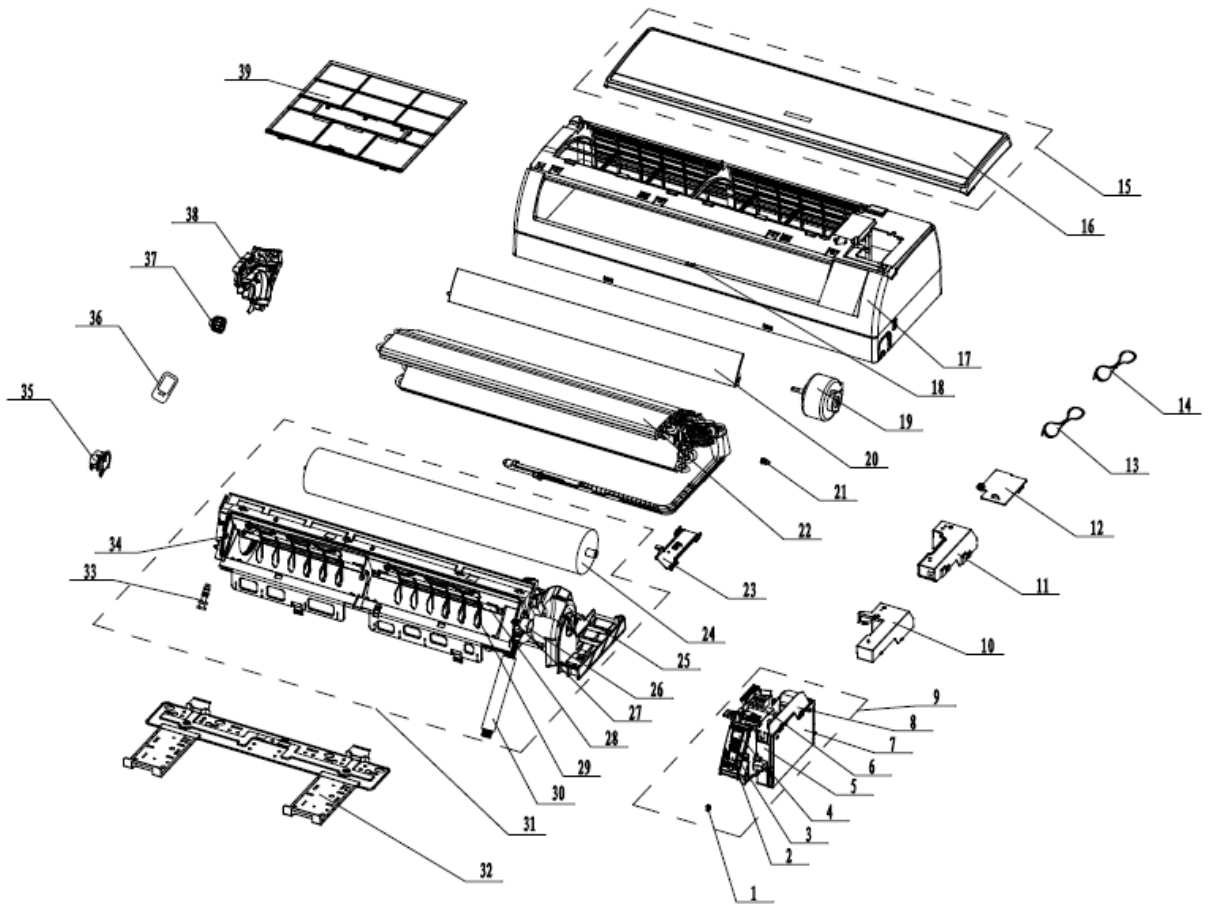
**RIO18HP230V1BO**  
**18,000 BTUH 208/230v Outdoor Unit**  
**Product Code: CB146W33700\_K78059**

NO.	Part Code	Part Description	Qty
1	10335008	Axial Flow Fan	1
2	1501506402	Fan Motor	1
3	01705036	Motor Support Sub-Assy	1
4	NA	Electric Control Box	1
5	4300040045	4-Way Valve Solenoid Coil	1
6	430004032	4-Way Valve	1
7	01473043	Rear Grille	1
8	NA	Left Handle	1
9	3900030901	Temperature Sensor**	1
10	01103000276	Condenser Coil Assy	1
13	01255005P	Coping	1
14	01305093P	Left Side Plate	1
15	20113003	Electric Box Cover Insulation Plate	1
16	01403000226	Electric Control Box Assy	1
17	42010255	Terminal Board	1
18	26233053	Handle	1
Not Shown	07130239	Liquid Line Valve	1
Not Shown	071302392	Gas/Suction Valve	1
20	01715010P	Valve Support Assy	1
21	07133774	Cut off Valve Assy 1/2	1
22	07130239	Cut off Valve	1
23	0130509403P	Right Side Plate	1
24	02803207P	Chassis Sub-Assy	1
25	06123401	Drain Connector	1
27	0000030002401	Front Panel Assy	1
28	01473049	Front Grille	1
29	00105249G	Compressor and Fittings	1
Not Shown	00183051	Compressor Overload Protector	1
Not Shown	00183032	Compressor Overload Protector	1
Not Shown	00180030	Compressor Overload Protector	1
Not Shown	76715021	Compressor Grommets	3
30	43130025	Reactor	1
31	01233153	Clapboard Assy	1
Not Shown	81020167	Capillary Sub-Assy	1
Not Shown	30138000256	Main Control Board	1

\*\* Temperature Sensor Assembly contains Discharge, Condenser Coil, and Ambient sensors.

# RIO24HP230V1AH

## 24,000 BTUH 208/230v Indoor Unit

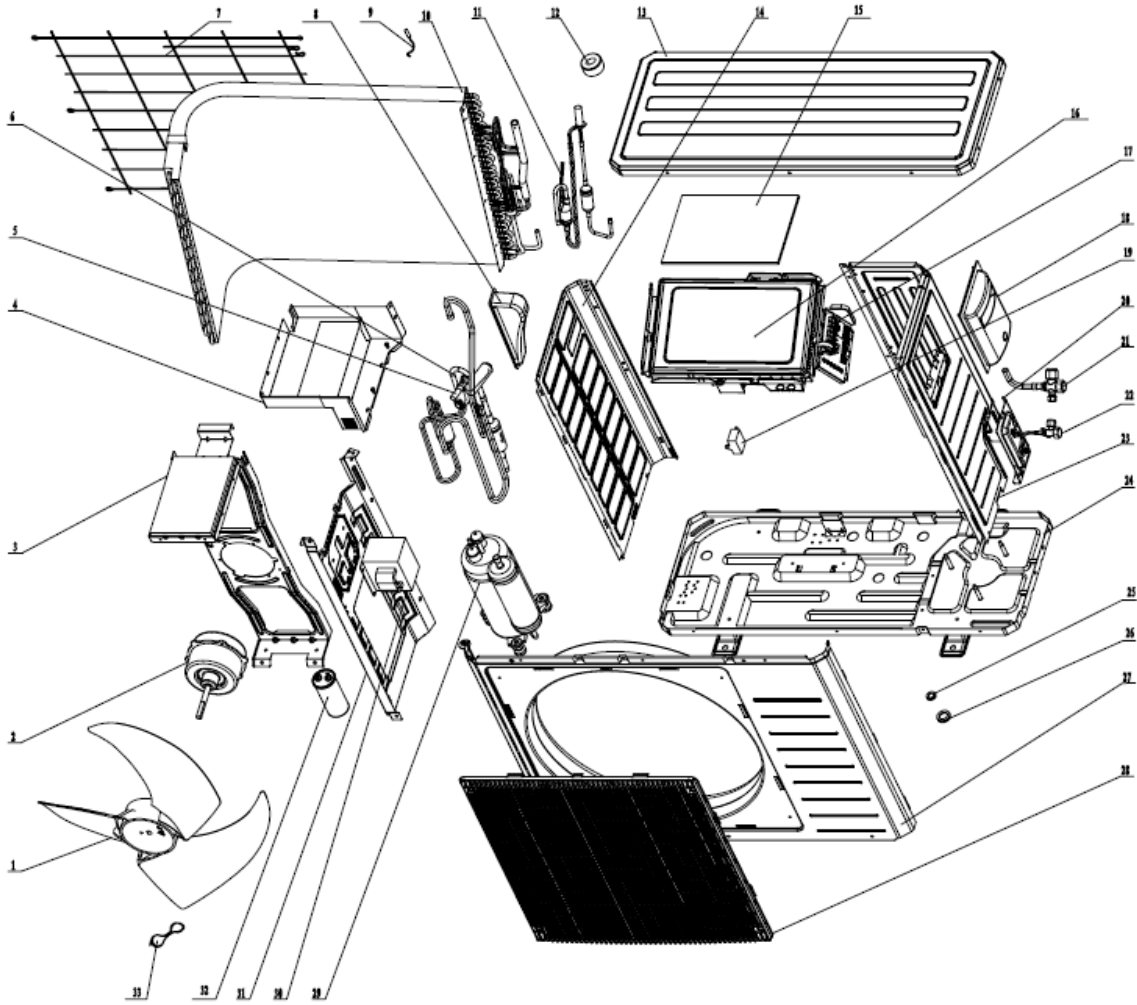


**RIO24HP230V1AH**  
**24,000 BTUH 208/230v Indoor Unit**  
**Product Code: CB146N23500\_K78059**

NO.	Part Code	Part Description	Qty
1	4202300121	Configuration Jumper Connector	1
2	22242083	Indicator Shield Cover	1
3	22242084	Indicator Light Cover	1
4	30568112	Display Board	1
5	2011210302	Electric Control Box	1
6	42011233	Terminal Board	1
7	01592087	Electric Control Box Shield Cover	1
8	30138517	Main Control Board	1
9	10000200152	Electric Control Box Assy	1
10	2012212302	Electric Control Box Cover	1
11	01592088	Electric Control Box Shield Cover	1
12	2011208112	Electric Box Cover	1
15	NA	Front Panel Assy	1
16	20012659S	Front Panel	1
17	2001251401	Front Case Assy	1
18	24252016	Screw Cover	3
19	1501209801	Fan Motor	1
20	10512138	Guide Louver	1
21	10542036	Axial Bushing	1
22	01002269	Evaporator Coil Assy	1
23	26112188	Drain Pipe Connecting Clamp	1
24	10352030	Cross Flow Fan	1
25	26112316	Motor Support Plate	1
26	1521300101	Stepper Motor	1
27	10582070	Crank	1
28	26112229	Helicoid Tongue	1
29	10512139	Air Louver	3
30	0523001405	Drain Hose	1
31	2220215701	Rear Case Assy	1
32	01252032	Wall Mounting Frame	1
33	76712012	Rubber Drain Plug	1
34	10512037	Left Axial Bushing	1
35	26152025	Bearing Ring	1
36	305100621	Remote Controller (YB1F2F XFAN)	1
Not Shown	27210071	Remote Controller Holder/Cradle	1
37	7651205102	Bearing O-Gasket sub-Assy	1
38	24212103	Evaporator Coil Support	1
39	11122091	Ait Air Filter	2
Not Shown	390000453	Ambient Temperature Sensor	1
Not Shown	390000591	Indoor Coil Temperature Sensor	1

# RIO24HP230V1AO

## 24,000 BTUH 208/230v Outdoor Unit



**RIO24HP230V1AO**  
**24,000 BTUH 208/230v Outdoor Unit**  
**Product Code: CB146W0141\_K78059**

NO.	Part Code	Part Description	Qty
1	10335008	Axial Flow Fan	1
2	1501506302	Fan Motor	1
3	01705020	Motor Support Sub-Assy	1
4	01413148	Electric Control Box	1
6	430004032	4-Way Valve	1
Not Shown	4300040045	4-Way Valve Solenoid Coil	1
7	01473043	Rear Grille	1
8	2623305301	Handle	1
9	3900030901	Temperature Sensor** Updated 08/10/18	1
10	0111338603	Condenser Coil Assy	1
11	43005019	Electronic Expansion Valve	1
12	4300876704	Electric Expand Valve Fitting	1
13	01255005P	Top Cover	1
14	01305093P	Left Side Plate	1
15	20113003	Electric Control Box Insulation	1
16	02613272	Electric Control Box Assy	1
Not Shown	301483642	Main Control Board	1
17	42010255	Terminal Board	1
18	02113109	Handle Assy	1
19	3301074705	Capacitor CBB61S	1
20	01715010P	Valve Support Assy	1
21	07133060	Cut off Valve Sub-Assy	1
22	07130239	Cut off Valve	1
Not Shown	07130239	Liquid Line Valve	1
Not Shown	071302392	Gas/Suction Valve	1
23	0130509403P	Right Side Plate	1
24	0280305701P	Chassis Sub-Assy	1
25	06123401	Drain Connector	1
27	0000030002401	Front Panel Assy	1
28	01473049	Front Grille	1
29	00103501	Compressor and Fittings	1
Not Shown	00180030	Compressor Grommets	3
Not Shown	00180002	Compressor Overload Protector(External)	1
Not Shown	03013000278	Capillary Sub-Assy	1
30	43130021	Reactor	1
31	01232902	Clapboard Sub-Assy	1
32	33000065	Capacitor CBB65	1

\*\* Temperature Sensor Assembly contains Discharge, Condenser Coil, and Ambient sensors.



