




SUBMITTAL DATA

CAS09HP230V1R32AH
9000 BTU/H Cassette Heat Pump System

Job Name	Location	Date
Purchaser	Engineer	
Submitted to	For	
Unit Designation	Schedule No.	
 YBE1FB5F	 CAS09HP230V1R32AH	 XE72-44/E

GENERAL FEATURES

- AHRI Certificate: 215413813 (Vireo R32), 215413808 (Envo R32), 215415548 (Sapphire R32)
- High Efficiency DC Inverter Technology
- Compact and Quiet Design
- 4 - Way Discharge Air
- Swing Louver Control
- Internal Condensate Drain Pump
- Wireless Remote with LCD Display Included
- XE72-44/E Wired Controller Included
- Low Ambient Cooling and Heating
- (Indoor and Outdoor) Copper Tube / Aluminum Fin
- Blue Colored Fin - 500 Hrs Salt Spray Tested
- New R32 Refrigerant with Refrigerant Sensor

SPECIFICATIONS, FEATURES & FUNCTION SUMMARY

INDOOR MODEL		CAS09HP230V1R32AH			
System Type	HEAT PUMP				
Outdoor Model	VIR09HP230V1R32AO	ENV09HP230V1R32AO	SAP09HP230V1R32AO		
SYSTEM PERFORMANCE					
Cooling	Min - Max	Btu/h	900 - 14,100	900 - 14,100	900 - 14,100
	Capacity @95°F	Btu/h	9,100	9,100	9,100
Heating	Min - Max	Btu/h	900 - 15,500	900 - 15,500	900 - 15,500
	Capacity @47°F	Btu/h	10,500	10,500	10,500
	Capacity @17°F	Btu/h	6,900	6,900	6,600
	Capacity Max @5°F	Btu/h	7,600	7,600	8,500
SEER2			24.0	24.0	24.5
EER2			15.0	15.0	15.5
HSPF2			9.2	9.2	9.5
COP @5°F			1.94	1.94	1.84
Cooling Temperature Range		°F	-20 - 122		
Heating Temperature Range		°F	-22 - 86		
Refrigerant Type	R32				
INDOOR UNIT		CAS09HP230V1R32AH			
Air flow (Min-Max)	CFM	206 - 330			
Sound Pressure Level (Min - Max)	dB(A)	29 - 40			
Dehumidification	pt/hr	2.96			
External Dimensions (L x D x H)	in	22-7/16 x 22-7/16 x 10-7/16			
Package Dimension (L x W x H)	in	27-31/64 x 25-45/64 x 11-39/64			
Net Weight	lbs	37.5			
Gross Weight	lbs	48.5			
CASSETTE GRILLE (REQUIRED)		GREETF05			
Grille Dimension (L x D x H)	in	24-13/32 x 24-13/32 x 1-7/8			
Package Dimension (L x W x H)	in	27-19/32 x 27-19/32 x 4-59/64			
Weight (Net / Gross)	lbs	6.6 / 9.9			
OUTDOOR UNIT		VIR09HP230V1R32AO	ENV09HP230V1R32AO	SAP09HP230V1R32AO	
Sound Pressure Level	dB(A)	52	52	56	
External Dimensions (L x D x H)	in	31-37/64 x 13-25/32 x 21-27/32	31 37/64 x 13 25/32 x 21 27/32	34-3/8 x 14-51/64 x 21-27/32	
Package Dimension (L x W x H)	in	34-21/64 x 15-43/64 x 24-13/32	34 21/64 x 15 43/64 x 24 13/32	37-7/16 x 16-31/32 x 24-13/32	
Net Weight	lbs	70.6	70.6	78.3	
Gross Weight	lbs	76.1	76.1	84.9	
REFRIGERANT PIPING					
Refrigerant Charge - R410A	oz	30	30	35.3	
Additional Charge	oz/ft	0.2	0.2	0.2	
Line Set Sized by Indoor Unit (Liquid - Gas)	in	1/4 - 3/8			
Line Set Size (Liquid - Gas) - Flared Connections	in	1/4 - 3/8	1/4 - 3/8	1/4 - 1/2	
Pre-Charge Length	ft	25			
Pipe Length (Min - Max)	ft	10 - 66	10 - 66	10 - 131	
Max. Pipe Elevation	ft	40	40	82	
ELECTRICAL					
Power Supply	208-230V / 1Ph / 60Hz (Powered by the Outdoor Unit)				
Voltage Range (Min - Max)	VAC	187 - 253			
Rated Current - Cooling	A	4.73	4.73	5.9	
Rated Current - Heating	A	6	6	7.6	
MCA	A	10	10	11	
MOCP	A	15	15	15	
Suggested Breaker Size	A	10	10	15	
Main Power Wire Size	AWG	Per Local Code			
Interconnecting Wire Size	AWG	14 / 4			

FEATURES & FUNCTIONS SUMMARY

SYSTEM FEATURES

Inverter Type	G20 with Field Oriented control (FOC)
Ultra Low Frequency Torque Control	Yes
Power Factor Correction	Yes
Compressor Type - Inverter	High Efficiency Rotary
Basepan With Electric Heater	Yes
Indoor & Outdoor Fin Coating (Blue Fin)	Yes
Intelligent Defrosting	Yes
Intelligent Preheating	Yes
Low Voltage Startup	Yes
Memory/Power Failure Recovery	Yes
Self Diagnosis	Yes
Wired Controller Interface	Yes
WiFi Included	No
Indoor Fan Type	Centrifugal
Multi Fan Speeds	4 Speeds
Indoor Unit Display	Yes
Auxiliary Electrical Heater	No
Ventilation (Outdoor Air)	Yes

REMOTE CONTROLLER FUNCTIONS

Auto Mode	Yes
Auto Fan	Yes
Auto Swing (Horizontal Auto Swing)	No
Auto Swing - 180° (Vertical Auto Swing)	Yes
Clock	Yes
Dry Mode	Yes
Dry Anti-Mildew (X-Fan) Mode	Yes
Energy Saving Mode	Yes
Dirty Filter Alert	No
Fan Speed Control (7 Speeds)	Yes
I Feel Function	Yes
Privacy Lock	Yes
Quiet Mode	Yes
Room Temperature Display	No
Sleep Mode	Yes
3 Sleep Mode Options	Yes
Timer Mode	Yes
Turbo Mode	Yes
Display On/Off Control	Yes
Freeze Guard Mode	Yes
Power Failure Mode	Yes

NOTE:

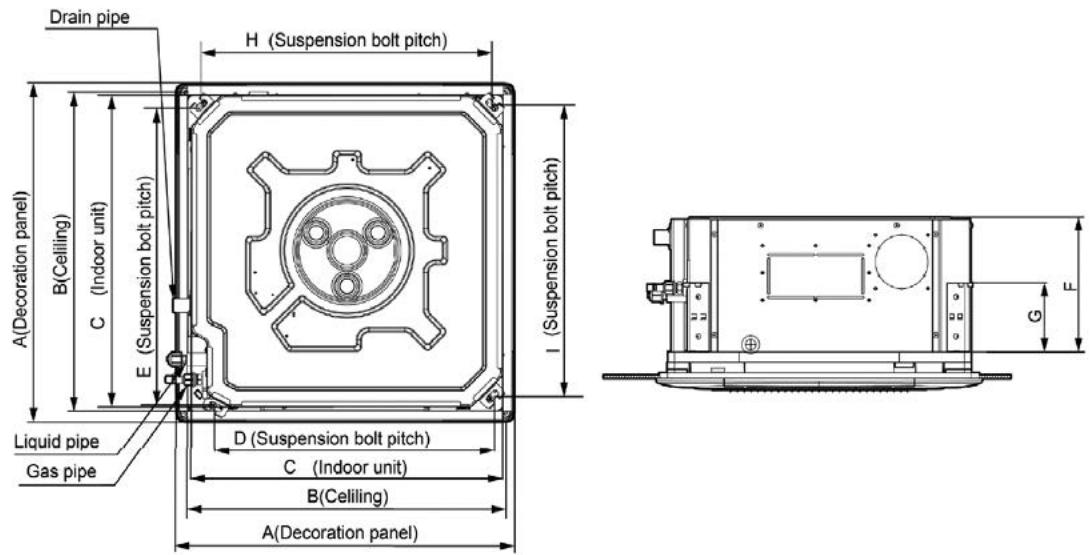
Please check the Multi-zone submittals for Non-Ducted or Mixed Performance table.

DIMENSIONS

INDOOR UNIT

Unit: inch

CAS09HP230V1R32AH	
DIMENSIONS	
A	24 13/32
B	22 53/64
C	22 7/16
D	19 7/8
E	21 21/32
F	10 7/16
G	5 33/64
H	20 55/64
I	20 55/64



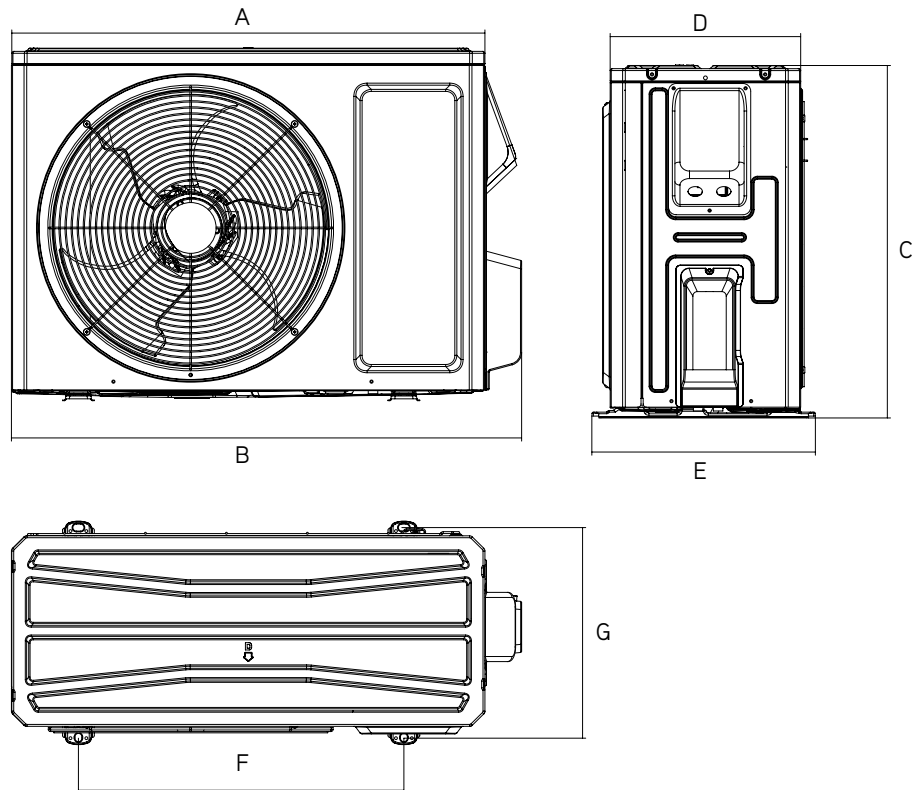
OUTDOOR UNIT

Unit: inch

VIR09HP230V1R32AO	
DIMENSIONS	
A	29 21/64
B	31 37/64
C	21 27/32
D	11 13/16
E	13 25/32
F	20 5/32
G	13 5/64

ENV09HP230V1R32AO	
DIMENSIONS	
A	29 21/64
B	31 37/64
C	21 27/32
D	11 13/16
E	13 25/32
F	20 5/32
G	13 5/64

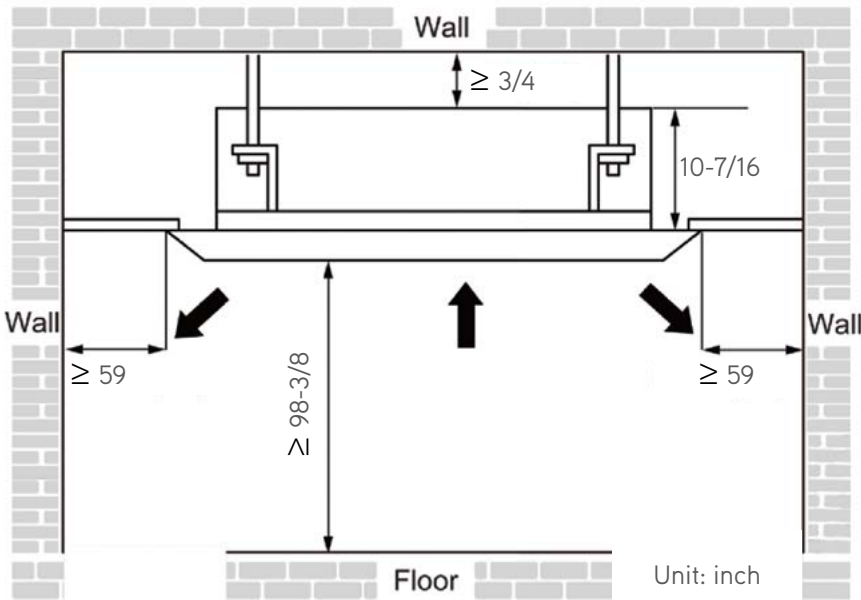
SAP09HP230V1R32AO	
DIMENSIONS	
A	31 11/16
B	34 3/8
C	21 27/32
D	13 1/64
E	14 51/64
F	20 25/32
G	13 21/32



CLEARANCES

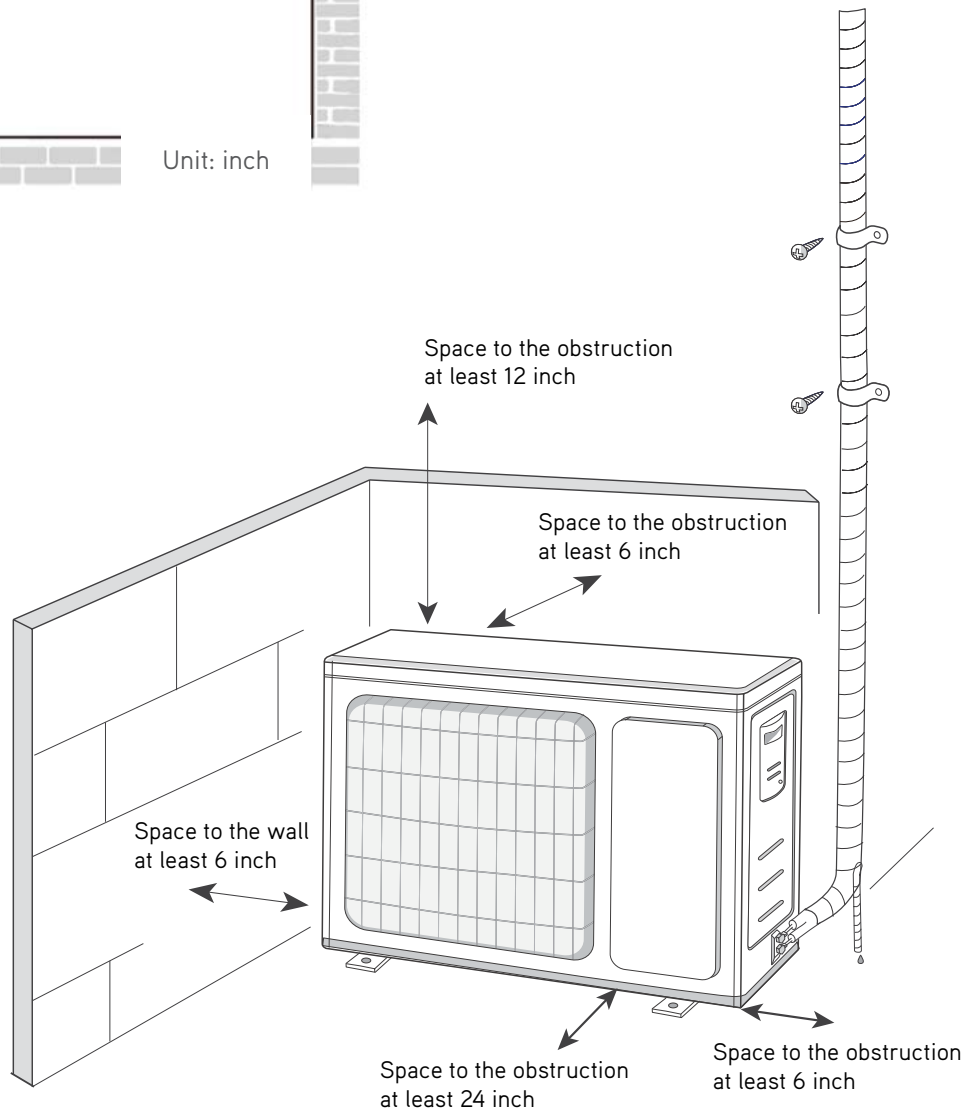
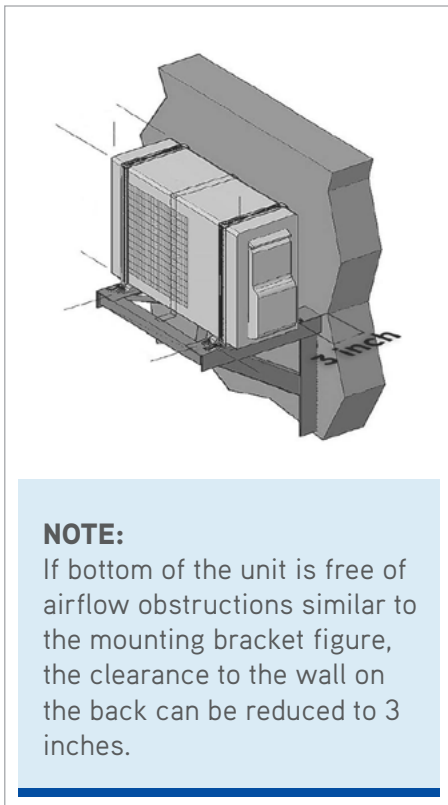
INDOOR UNIT

Minimum clearance



OUTDOOR UNIT

Minimum clearance



Specifications are subject to change without notice. Manufacturer reserves the right to discontinue or modify specifications or designs without notice or without incurring obligations. All Rights reserved.

GREECOMFORT.COM/SYSTEM-DOCUMENTATION