

EXPLODED VIEW & PARTS LIST



Indoor unit

FLR09HP230V1R32AH

FLR12HP230V1R32AH

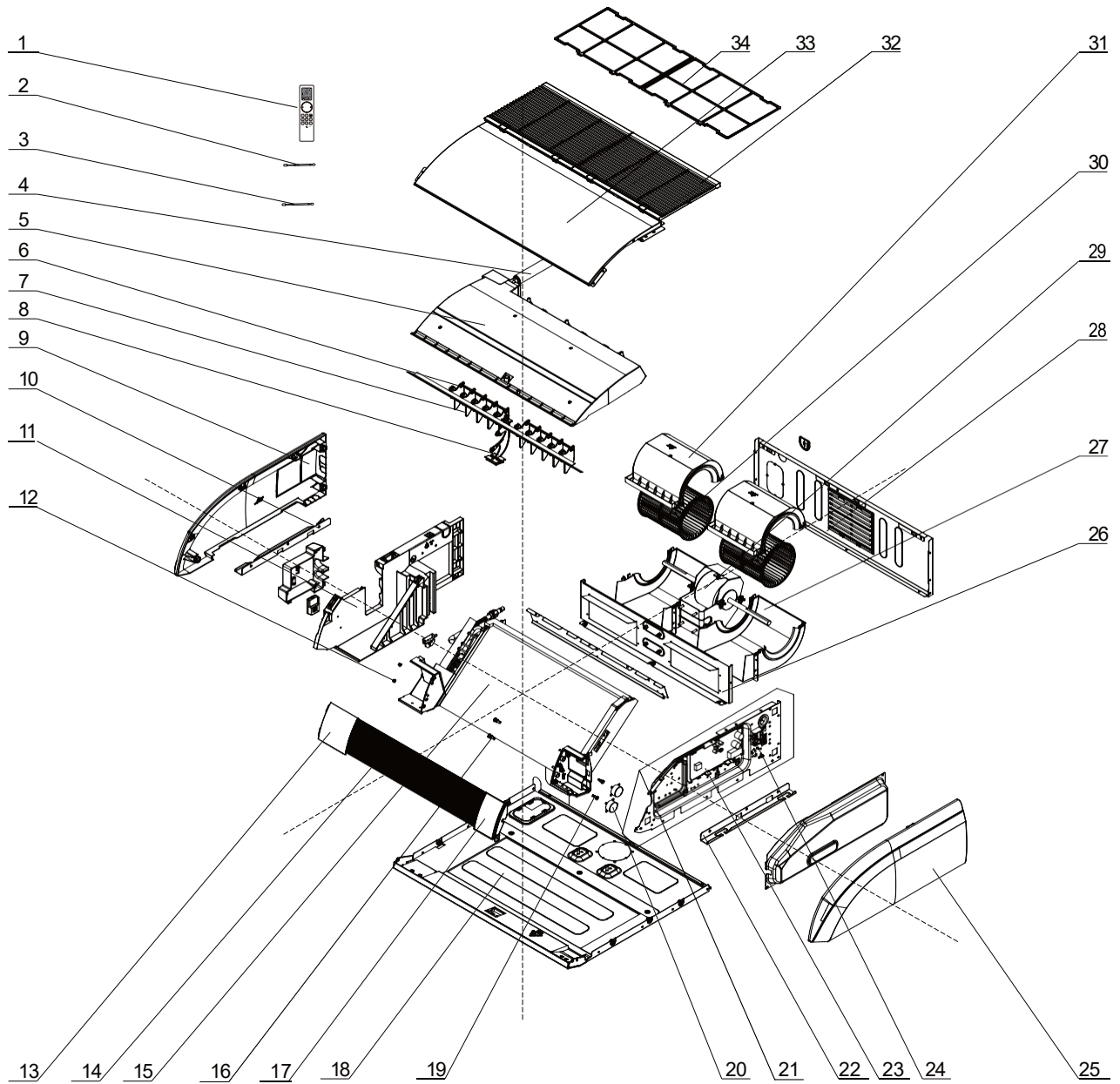
FLR18HP230V1R32AH

FLR24HP230V1R32AH

FLR30HP230V1R32AH

FLR36HP230V1R32AH

FLR09HP230V1R32AH



The component picture is only for reference; please refer to the actual product.

GREE ELECTRIC APPLIANCES INC. OF ZHUHAI
GREECOMFORT.COM



[Back to main page](#)

FLR09HP230V1R32AH

No.	Part Description	Qty.	Part Code
18	Base Plate Assy	1	011007000032
NS	Seat Board Sub-Assy	1	017080000040
NS	Cover Plate (Inlet and outlet Pipe)	1	26909452
11	Right Side Plate	1	26909400074
NS	Clapboard Assy	1	000075060226
26	Clapboard Sub-Assy	1	017021000088
NS	Motor Support Sub-Assy	1	017012000124
29	Brushless DC Motor FG40A-ZL	1	15706000037
30	Centrifugal Fan	2	103003000001
NS	Fan Nesting	1	0220520401
27	Propeller Housing (Lower)	2	200230000001
31	Propeller Housing (Upper)	2	200230000002
23	Main Board Z4L2512ACJ	1	300002064322
NS	Jumper cap 2.5mm (blue)	1	4202021921
24	Terminal Board	1	420001000002
28	Rear Side Plate Sub-Assy	1	017051000046
34	Filter Sub-Assy	1	111001000001
NS	Mounting Rack Sub-Assy	1	017044000008
19	Crankshaft	2	200023000001
20	Stepping Motor MP35CG	2	1521240206
17	Display Board Z4L25	1	30294000009
NS	Membrane	1	60539400003
15	Evaporator Assy	1	011001063507
NS	Evaporator Assy	1	01100106023501
NS	Corrugated Pipe	1	0502513401
NS	Current Divider	1	035032000021
NS	Diversion plate (left)	1	012284000004
NS	Diversion plate (right)	1	012284000003
NS	Mounting Rack Sub-Assy	1	017044000007
12	AXILE BUSH	2	10542704
13	Front Panel	1	200003000001
NS	Water Tray Assy	1	000069000066
5	Water Tray	1	200063000024

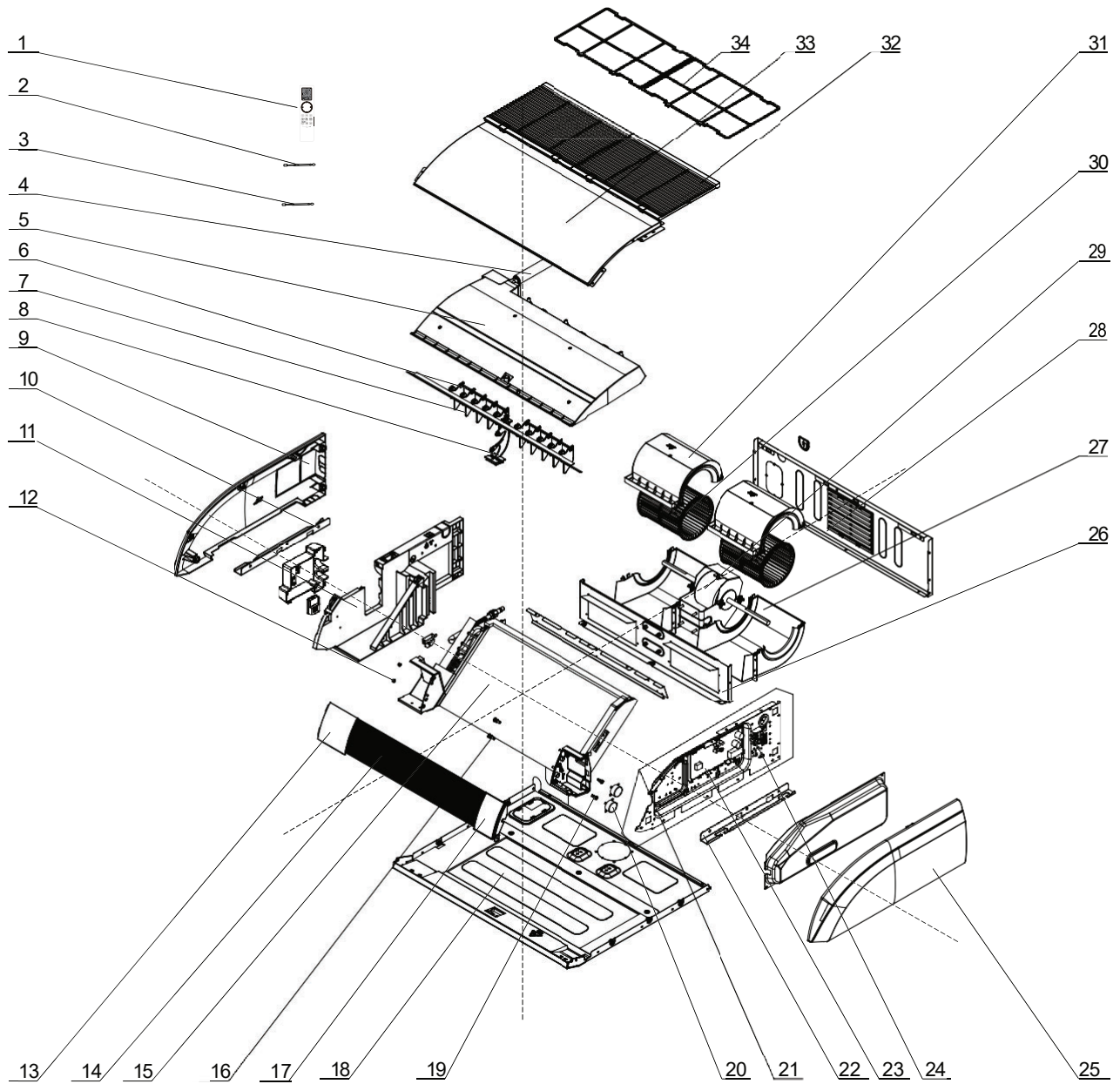


FLR09HP230V1R32AH

No.	Part Description	Qty.	Part Code
33	Top Cover	1	012148000046P
NS	Top Cover	1	012148000046
4	Drainage Pipe Sub-Assy	1	05235434
7	Air Louver	10	200007000001
6	Swing Lever	2	10582009
8	Supporter (Guide Louver)	1	26909400076
NS	Gas Sensor R32	1	34002406001603
22	Installation Supporting Frame(left)	1	01809401
10	Installation Supporting Frame(right)	1	01809402
NS	Location Limited Plate	1	012217000010
NS	Rubber Band	1	76002800000502
NS	Electric Box Cover	1	0142940002201
NS	Rubber Band	1	76002800000502
NS	Rubber Band	1	7600280000011
25	Left Cover Plate	1	26909400070
9	Right Cover Plate	1	26909400071
NS	Adhesive Cover (Drainage Pipe)	1	26909453
14	Guide Louver	2	200004000046
16	Rotating Shaft 3	2	26909430
32	Front Grill	2	200226000004
34	Filter Sub-Assy	2	111001000072
2	Temperature Sensor 20KT-EH-2P-K3	1	39000106009101
3	Room Sensor 15KS-XH-2P-K3	1	39000191
1	Remote Controller	1	305001060180



FLR12HP230V1R32AH



The component picture is only for reference; please refer to the actual product.

GREE ELECTRIC APPLIANCES INC. OF ZHUHAI
GREECOMFORT.COM



[Back to main page](#)

FLR12HP230V1R32AH

No.	Part Description	Qty.	Part Code
18	Base Plate Assy	1	011007000032
NS	Seat Board Sub-Assy	1	017080000040
NS	Cover Plate (Inlet and outlet Pipe)	1	26909452
11	Right Side Plate	1	26909400074
NS	Clapboard Assy	1	000075060226
26	Clapboard Sub-Assy	1	017021000088
NS	Motor Support Sub-Assy	1	017012000124
29	Brushless DC Motor FG40A-ZL	1	15706000037
30	Centrifugal Fan	2	103003000001
NS	Fan Nesting	1	0220520401
27	Propeller Housing (Lower)	2	200230000001
31	Propeller Housing (Upper)	2	200230000002
23	Main Board Z4L2512ACJ	1	300002064322
NS	Jumper cap 2.5mm (blue)	1	4202021922
24	Terminal Board	1	420001000002
28	Rear Side Plate Sub-Assy	1	017051000046
34	Filter Sub-Assy	1	111001000001
NS	Mounting Rack Sub-Assy	1	017044000008
19	Crankshaft	2	200023000001
20	Stepping Motor MP35CG	2	1521240206
17	Display Board Z4L25	1	30294000009
NS	Membrane	1	60539400003
15	Evaporator Assy	1	011001063507
NS	Evaporator Assy	1	01100106023501
NS	Corrugated Pipe	1	0502513401
NS	Current Divider	1	035032000021
NS	Diversion plate (left)	1	012284000004
NS	Diversion plate (right)	1	012284000003
NS	Mounting Rack Sub-Assy	1	017044000007
12	AXILE BUSH	2	10542704
13	Front Panel	1	200003000001
NS	Water Tray Assy	1	000069000066
5	Water Tray	1	200063000024

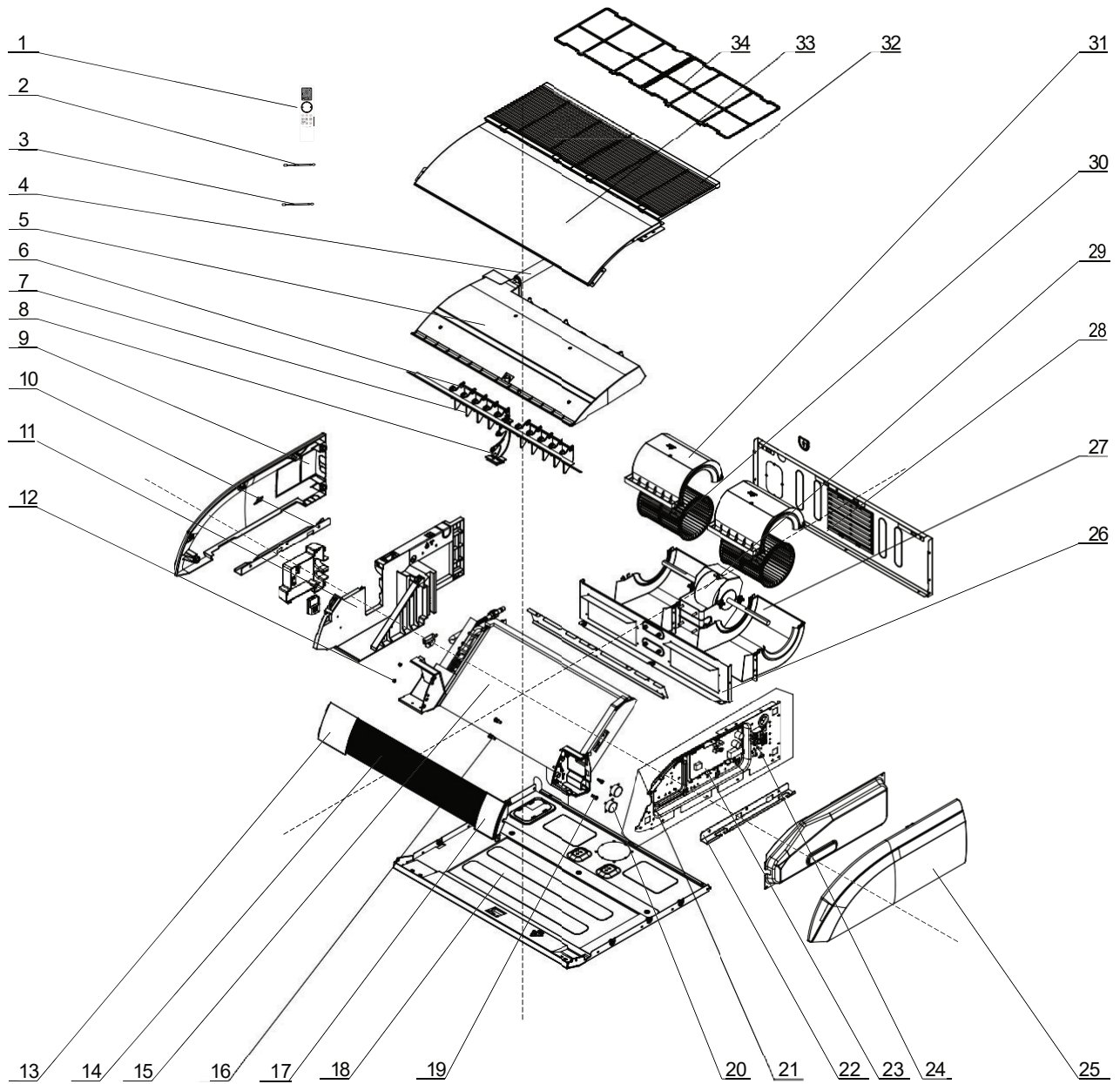


FLR12HP230V1R32AH

No.	Part Description	Qty.	Part Code
33	Top Cover	1	012148000046P
NS	Top Cover	1	012148000046
4	Drainage Pipe Sub-Assy	1	05235434
7	Air Louver	10	200007000001
6	Swing Lever	2	10582009
8	Supporter (Guide Louver)	1	26909400076
NS	Gas Sensor R32	1	34002406001603
22	Installation Supporting Frame(left)	1	01809401
10	Installation Supporting Frame(right)	1	01809402
NS	Location Limited Plate	1	012217000010
NS	Rubber Band	1	76002800000502
NS	Electric Box Cover	1	0142940002201
NS	Rubber Band	1	76002800000502
NS	Rubber Band	1	7600280000011
25	Left Cover Plate	1	26909400070
9	Right Cover Plate	1	26909400071
NS	Adhesive Cover (Drainage Pipe)	1	26909453
14	Guide Louver	2	200004000046
16	Rotating Shaft 3	2	26909430
32	Front Grill	2	200226000004
34	Filter Sub-Assy	2	111001000072
2	Temperature Sensor 20KT-EH-2P-K3	1	39000106009101
3	Room Sensor 15KS-XH-2P-K3	1	39000191
1	Remote Controller YBE1FB5F	1	305001060180



FLR18HP230V1R32AH



The component picture is only for reference; please refer to the actual product.

GREE ELECTRIC APPLIANCES INC. OF ZHUHAI
GREECOMFORT.COM



[Back to main page](#)

FLR18HP230V1R32AH

No.	Part Description	Qty.	Part Code
18	Base Plate Assy	1	011007000032
NS	Seat Board Sub-Assy	1	017080000040
NS	Cover Plate (Inlet and outlet Pipe)	1	26909452
11	Right Side Plate	1	26909400074
NS	Clapboard Assy	1	000075060226
26	Clapboard Sub-Assy	1	017021000088
NS	Motor Support Sub-Assy	1	017012000124
29	Brushless DC Motor FG40A-ZL	1	15706000037
30	Centrifugal Fan	2	103003000001
NS	Electric Box Assy	1	100002082788
27	Propeller Housing (Lower)	2	200230000001
31	Propeller Housing (Upper)	2	200230000002
23	Main Board Z4L2512ACJ	1	300002064322
NS	Jumper cap 2.5mm (blue)	1	4202021923
24	Terminal Board	1	420001000002
28	Rear Side Plate Sub-Assy	1	017051000046
34	Filter Sub-Assy	1	111001000001
NS	Mounting Rack Sub-Assy	1	017044000008
19	Crankshaft	2	200023000001
20	Stepping Motor MP35CG	2	1521240206
17	Display Board Z4L25	1	30294000009
NS	Membrane	1	60539400003
15	Evaporator Assy	1	011001063514
NS	Evaporator Assy	1	01100100048701
NS	Corrugated Pipe	1	05025112
NS	Current Divider	1	035032000021
NS	Diversion plate (left)	1	012284000004
NS	Diversion plate (right)	1	012284000003
NS	Mounting Rack Sub-Assy	1	017044000007
12	AXILE BUSH	2	10542704
13	Front Panel	1	200003000001
NS	Water Tray Assy	1	000069000066
5	Water Tray	1	200063000024



FLR18HP230V1R32AH

No.	Part Description	Qty.	Part Code
33	Top Cover	1	012148000046P
NS	Top Cover	1	012148000046
4	Drainage Pipe Sub-Assy	1	05235434
7	Air Louver	10	200007000001
6	Swing Lever	2	10582009
8	Supporter (Guide Louver)	1	26909400076
NS	Gas Sensor R32	1	34002406001603
22	Installation Supporting Frame(left)	1	01809401
10	Installation Supporting Frame(right)	1	01809402
NS	Location Limited Plate	1	012217000010
NS	Rubber Band	1	76002800000502
NS	Electric Box Cover	1	0142940002201
NS	Rubber Band	1	76002800000502
NS	Rubber Band	1	7600280000011
25	Left Cover Plate	1	26909400070
9	Right Cover Plate	1	26909400071
NS	Adhesive Cover (Drainage Pipe)	1	26909453
14	Guide Louver	2	200004000046
16	Rotating Shaft 3	2	26909430
32	Front Grill	2	200226000004
34	Filter Sub-Assy	2	111001000072
2	Temperature Sensor 20KT-EH-2P-K3	1	39000106009101
3	Room Sensor 15KS-XH-2P-K3	1	39000191
1	Remote Controller YBE1FB5F	1	305001060180

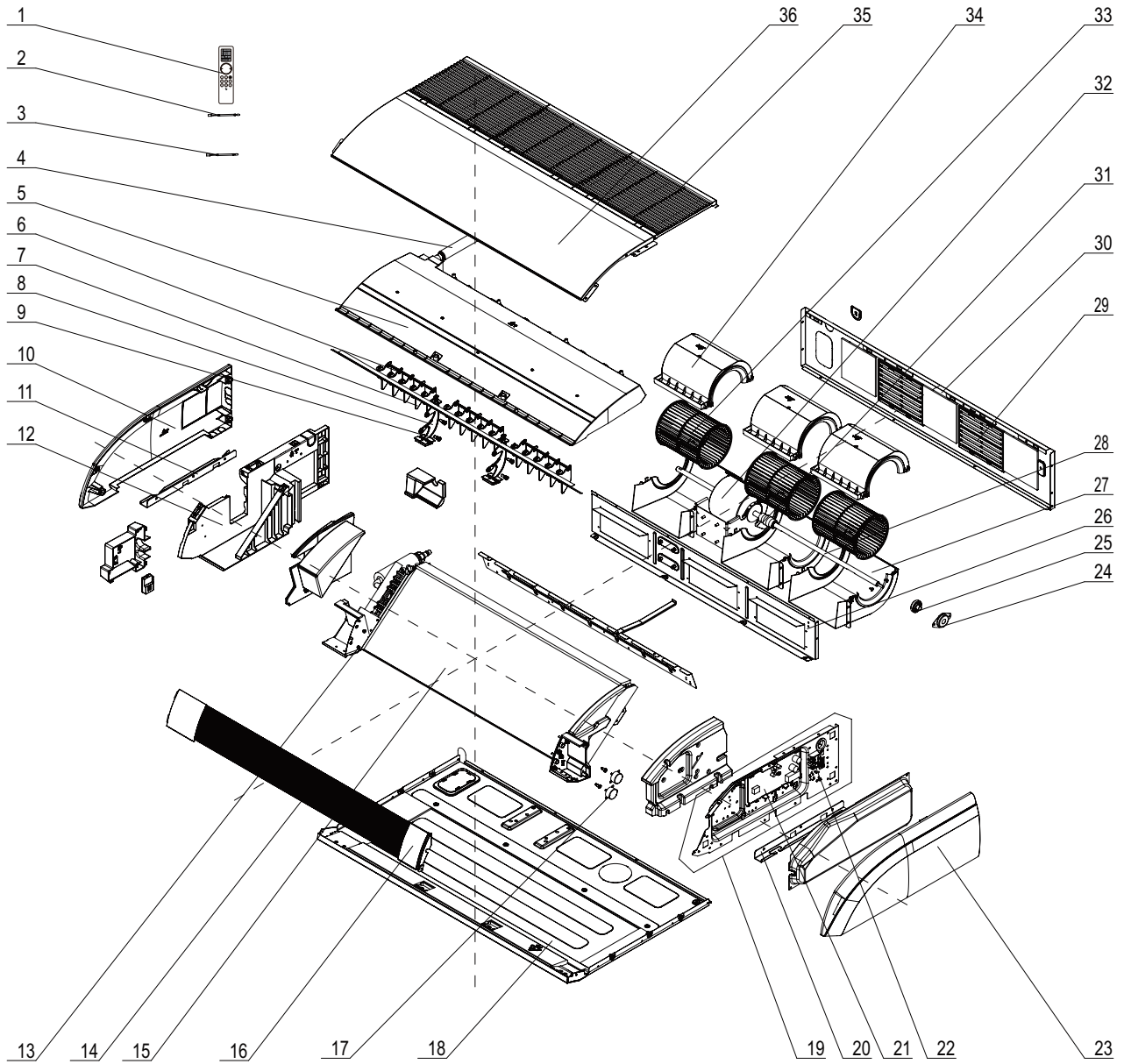
GREE ELECTRIC APPLIANCES INC. OF ZHUHAI
GREECOMFORT.COM



[Back to main page](#)

CAT No. 09032024

FLR24HP230V1R32AH



The component picture is only for reference; please refer to the actual product.

GREE ELECTRIC APPLIANCES INC. OF ZHUHAI
GREECOMFORT.COM



[Back to main page](#)

FLR24HP230V1R32AH

No.	Part Description	Qty.	Part Code
NS	Seat Board Sub-Assy	1	017080000052
NS	Cover Plate(Inlet and outlet Pipe)	1	26909452
12	Right Side Plate	1	26909400074
26	Clapboard Sub-Assy	1	01249400018
NS	Motor Support Sub-Assy	1	017012000139
31	Joint Slack	1	73018731
28	Roller Wheel	1	700004500433
32	Brushless DC Motor FG80C-ZL	1	150104060113
33	Centifugal Fan	2	103003000001
NS	Fan Nesting	1	0220520401
27	Propeller Housing(Lower)	2	200230000001
34	Propeller Housing(Upper)	2	200230000002
19	Electric Box Assy	1	100002082787
21	Main Board Z4L2512ACJ	1	300002064322
NS	Jumper cap 2.5mm (blue)	1	4202021924
22	Terminal Board	1	420001000002
30	Rear Side Plate Sub-Assy	1	017051000005
29	Filter Sub-Assy	1	111001000001
NS	Mounting Rack Sub-Assy	1	017044000008
NS	Crankshaft	2	200023000001
17	Stepping Motor MP35CG	2	1521240206
16	Display Board Z4L25	1	30294000009
NS	Membrane	1	60539400003
15	Evaporator Assy	1	011001063513
NS	Evaporator Assy	1	01100106250601
NS	Corrugated Pipe	1	0502511204
NS	Diversion plate (left)	1	012284000004
NS	Diversion plate (right)	1	012284000003
NS	Mounting Rack Sub-Assy	1	017044000007
13	AXILE BUSH	2	10542704
NS	Front Panel	1	200003000001
NS	Water Tray Assy	1	01289400017
5	Water Tray	1	200063000003

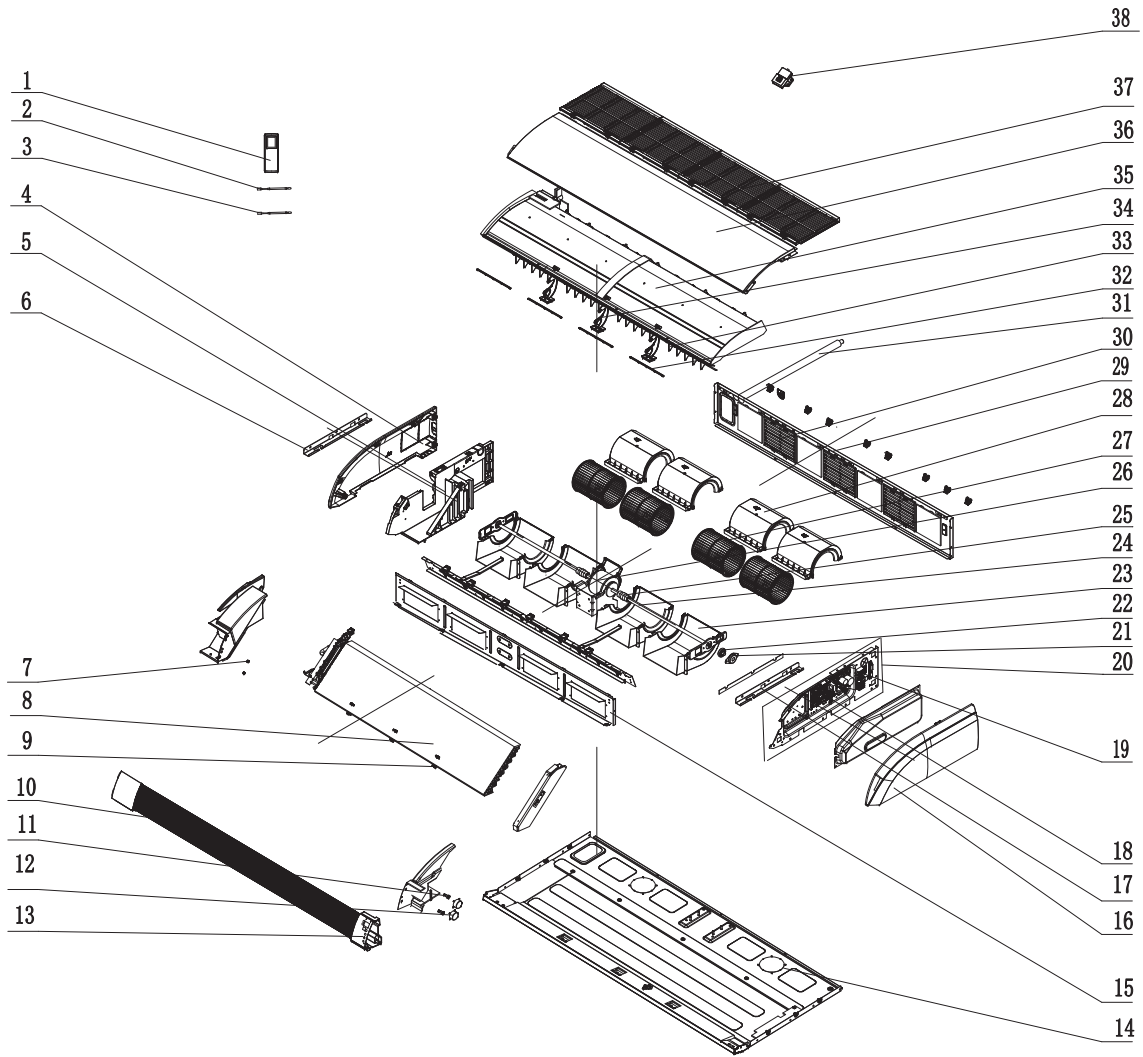


FLR24HP230V1R32AH

No.	Product Description	Qty.	Part Code
36	Top Cover	1	01269400012P
NS	Top Cover	1	01269400012
4	Drainage Pipe Sub-assy	1	05235434
7	Air Louver	10	200007000001
6	Swing Lever	2	10582009
8	Supporter(Guide Louver)	1	26909400076
NS	Gas Sensor R32	1	34002406001604
20	Installation Supporting Frame(left)	1	01809401
11	Installation Supporting Frame(right)	1	01809402
NS	Location Limited Plate	1	02229400044
NS	Rubber Band	1	760028000005
NS	Electric Box Cover	1	0142940002201
NS	Rubber Band	1	760028000005
NS	Rubber Band	1	760028000011
23	Left Cover Plate	1	26909400070
10	Right Cover Plate	1	26909400071
NS	Adhesive Cover (Drainage Pipe)	1	26909453
14	Guide Louver	2	200004500422
9	Rotating Shaft 3	2	26909430
35	Front Grill	2	26909400072
29	Filter Sub-Assy	2	11729400004
2	Temperature Sensor 20KT-EH-2P-K3	1	39000106009102
3	Room Sensor 15KS-XH-2P-K3	1	39000191
1	Remote Controller YBE1FB5F	1	305001060180



FLR30HP230V1R32AH



GREE ELECTRIC APPLIANCES INC. OF ZHUHAI
GREECOMFORT.COM



[Back to main page](#)

FLR30HP230V1R32AH

No.	Part Description	Qty.	Part Code
NS	Cover Plate(Inlet and outlet Pipe)	1	26909452
14	Seat Board Sub-Assy	1	017080000052
4	Right Side Plate	1	26909400074
15	Clapboard Sub-Assy	1	01249400018
NS	Motor Support Sub-Assy	1	017012000139
26	Brushless DC Motor	1	150104060113
25	Joint Slack	1	73018731
24	Roller Wheel	1	700004500433
23	Propeller Housing(Lower)	3	200230000001
27	Centifugal Fan	3	103003000001
NS	Fan Nesting	1	0220520401
NS	Supporter	1	01809400076
NS	Bearing Holder Sub-assy	1	26909400050
22	O-Gasket of Bearing	1	76512404
NS	Fan Bearing	1	76512210
21	Support Of Motor Bearing	1	01792408
20	Electric Box Assy	1	100002083607
19	Terminal Board	1	420001000002
18	Main Board	1	300002064322
NS	Jumper	1	4202021918
29	Rear Side Plate Sub-Assy	1	017051000005
NS	Base plate 2	1	012234000015
30	Filter Sub-Assy	2	111001000001
NS	Mounting Rack Sub-Assy	1	017044060010
11	Crankshaft	2	200023000001
12	Stepping Motor	2	1521240215
13	Display Board	1	30294000009
NS	Membrane	1	60539400003
8	Evaporator Assy	1	011001062509
8	Evaporator Assy	1	011001062506
NS	Corrugated Pipe	1	0502511204
NS	Diversion plate (left)	1	012284000004



FLR30HP230V1R32AH

No.	Part Description	Qty.	Part Code
NS	Diversion plate (right)	1	012284000003
NS	Mounting Rack Sub-Assy	1	017044000007
7	AXILE BUSH	2	10542704
NS	Front Panel	1	200003000001
NS	Water Tray Assy	1	01289400017
35	Water Tray	1	200063000003
NS	Top Cover	1	01269400012P
36	Top Cover	1	01269400012
31	Drainage Pipe Sub-assy	1	05235434
33	Air Louver	15	200007000001
32	Swing Lever	3	10582009
34	Supporter(Guide Louver)	2	26909400076
28	Propeller Housing(Upper)	3	200230000002
NS	Cover Plate	1	01203500000901
38	Gas Sensor	1	34002406001604
6	Installation Supporting Frame(left)	1	01809401
17	Installation Supporting Frame(right)	1	01809402
NS	Location Limited Plate	1	012217000010
NS	Electric Box Cover	1	0142940002201
16	Left Cover Plate	1	26909400070
5	Right Cover Plate	1	26909400071
NS	Location Limited Plate	1	02229400044
NS	Adhesive Cover (Drainage Pipe)	1	26909453
10	Guide Louver	2	200004500422
9	Rotating Shaft 3	4	26909430
37	Front Grill Sub-assy	3	26909400066
NS	Front Grill	1	26909400072
30	Filter Sub-Assy	1	11729400004
2	Temperature Sensor	1	3900019204
3	Ambient Temperature Sensor	1	3900012123
1	Remote Controller	1	305001060180

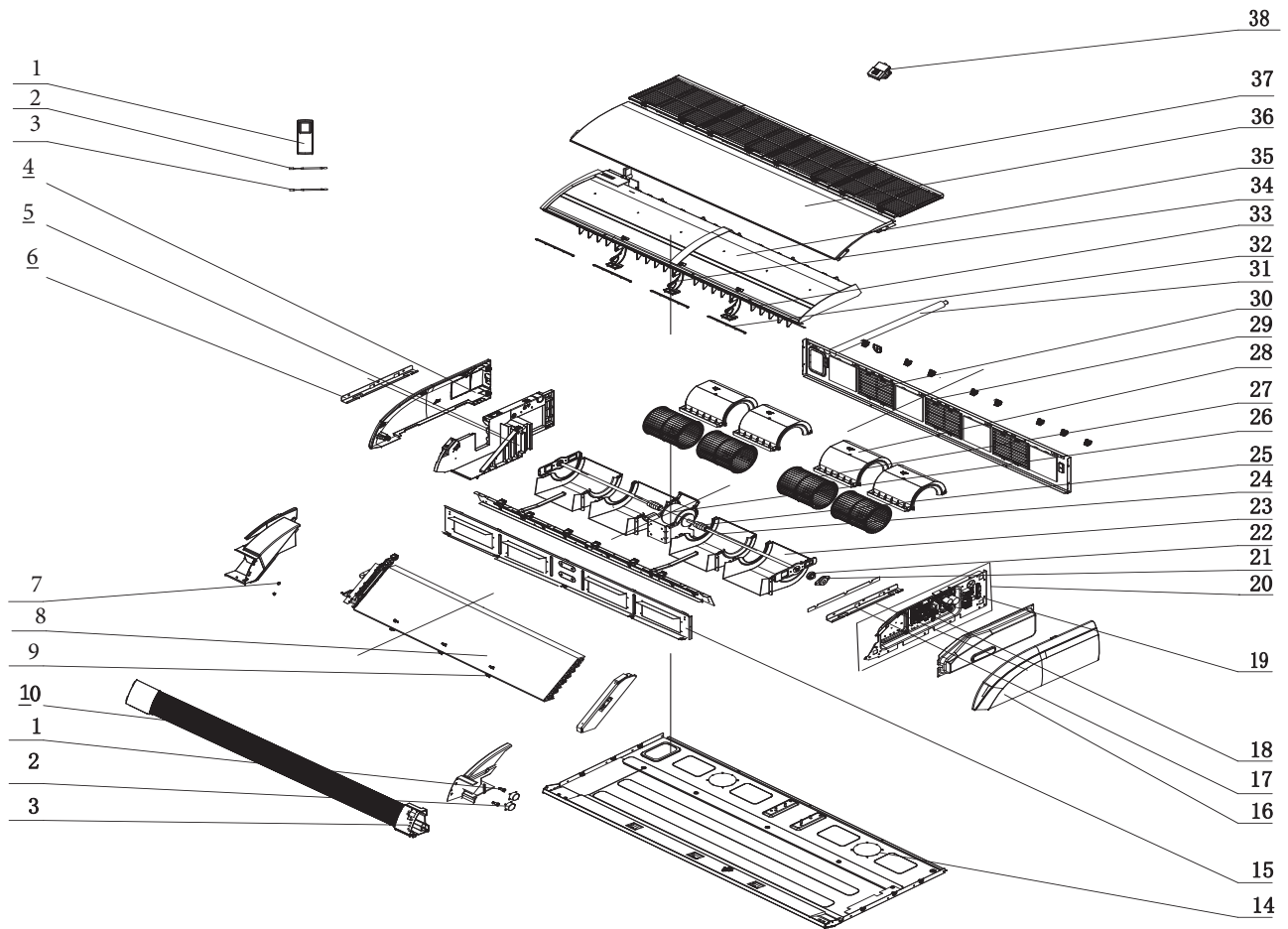
GREE ELECTRIC APPLIANCES INC. OF ZHUHAI
GREECOMFORT.COM



[Back to main page](#)

CAT NO. 01022025

FLR36HP230V1R32AH



GREE ELECTRIC APPLIANCES INC. OF ZHUHAI
GREECOMFORT.COM



[Back to main page](#)

FLR36HP230V1R32AH

No.	Part Description	Qty.	Part Code
14	Base Plate Assy	1	011007060187
NS	Cover Plate(Inlet and outlet Pipe)	1	26909452
NS	Seat Board Sub-Assy	1	017080060020
NS	Base Plate	1	02229400029
4	Right Side Plate	1	26909400074
15	Clapboard Sub-Assy	1	01249400019
NS	Motor Support Sub-Assy	1	017012060033
26	Brushless DC Motor	1	15709400005
25	Joint Slack	2	73018731
24	Roller Wheel	2	700004000001
23	Propeller Housing(Lower)	4	200230000001
27	Centifugal Fan	4	103003000001
NS	Fan Nesting	1	0220520401
34	Supporter	2	01809400076
22	O-Gasket of Bearing	1	76512404
21	Support Of Motor Bearing	2	01792408
28	Propeller Housing(Upper)	4	200230000002
20	Electric Box Assy	1	100002083507
19	Terminal Board	1	420001000002
18	Main Board	1	300002064322
20	Jumper	1	4202021919
29	Rear Side Plate Sub-Assy	1	017051000006
30	Filter Sub-Assy	3	111001000001
NS	Mounting Rack Sub-Assy	1	017044060010
11	Crankshaft	2	200023000001
12	Stepping Motor	2	1521240215
13	Display Board	1	30294000009
NS	Membrane	1	60539400003
8	Evaporator Assy	1	011001062510
8	Evaporator Assy	1	011001062508
NS	Corrugated Pipe	1	0502511201



FLR36HP230V1R32AH

No.	Part Description	Qty.	Part Code
NS	Diversion plate (right)	1	012284000003
NS	Mounting Rack Sub-Assy	1	017044000007
7	AXILE BUSH	2	10542704
NS	Front Panel	1	200003000001
35	Water Tray	1	200063000002
36	Top Cover	1	01269400013P
33	Air Louver	20	200007000001
32	Swing Lever	4	10582009
34	Supporter(Guide Louver)	3	26909400076
31	Drainage Pipe Sub-assy	1	05235434
NS	Cover Plate	1	01203500000901
42	Refrigerant Sensor	1	34002406001605
6	Installation Supporting Frame(left)	1	01809401
17	Installation Supporting Frame(right)	1	01809402
NS	Location Limited Plate	1	012217000010
NS	Electric Box Cover	1	0142940002201
16	Left Cover Plate	1	26909400070
5	Right Cover Plate	1	26909400071
NS	Location Limited Plate	2	02229400044
NS	Adhesive Cover (Drainage Pipe)	1	26909453
10	Guide Louver	2	200004500426
9	Rotating Shaft 3	6	26909430
37	Front Grill Sub-assy	4	26909400066
NS	Front Grill	1	26909400072
30	Filter Sub-Assy	1	11729400004
2	Ambient Temperature Sensor	1	3900012123
3	Tube sensor	1	3900020720G
1	Remote Controller	1	305001060180

GREE ELECTRIC APPLIANCES INC. OF ZHUHAI
GREECOMFORT.COM



[Back to main page](#)

CAT No.01022025