
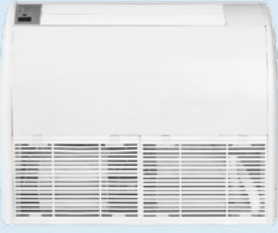



SUBMITTAL DATA

FLR12HP230V1R32AH
12000 BTU/H Floor Ceiling Heat Pump System

Job Name	Location	Date
Purchaser	Engineer	
Submitted to	For	
Unit Designation	Schedule No.	

		
YBE1FB5F	FLR12HP230V1R32AH	XE72-44/E

GENERAL FEATURES

- AHRI Certificate: 215415565 (Vireo R32), 215415570 (Envo R32), 215415529 (Sapphire R32)
- Quiet Operation and Multi-Speed Fan
- Floor Stand or Ceiling Mount
- Multi-Directional Air Flow
- Wireless Remote with LCD Display Included
- XE72-44/E Wired Controller Included
- Low Ambient Cooling and Heating
- (Indoor and Outdoor) Copper Tube / Aluminum Fin
- Blue Colored Fin - 500 Hrs Salt Spray Tested
- New R32 Refrigerant with Refrigerant Sensor

SPECIFICATIONS, FEATURES & FUNCTION SUMMARY

INDOOR MODEL			FLR12HP230V1R32AH		
System Type			HEAT PUMP		
Outdoor Model	VIR12HP230V1R32AO		ENV12HP230V1R32AO	SAP12HP230V1R32AO	
SYSTEM PERFORMANCE					
Cooling	Min - Max	Btu/h	900 - 14,100	900 - 14,100	900 - 14,100
	Capacity @95°F	Btu/h	12,000	12,000	12,000
Heating	Min - Max	Btu/h	900 - 15,500	900 - 15,500	900 - 15,500
	Capacity @47°F	Btu/h	12,000	12,000	12,000
	Capacity @17°F	Btu/h	7,500	7,500	7,500
	Capacity Max @5°F	Btu/h	10,500	10,000	10,200
SEER2			23.0	23.0	23.0
EER2			13.0	13.0	13.0
HSPF2			9.5	9.5	9.5
COP @5°F			1.90	1.90	1.90
Cooling Temperature Range	°F		-20 - 122		
Heating Temperature Range	°F		-22 - 86		
Refrigerant Type			R32		
INDOOR UNIT			FLR12HP230V1R32AH		
Air flow (Min-Max)	CFM		247 - 412		
Sound Pressure Level (Min - Max)	dB(A)		26 - 38		
Dehumidification	pt/hr		2.96		
External Dimensions (L x D x H)	in		34-1/4 x 9-1/4 x 26-3/16		
Package Dimension (L x W x H)	in		40-11/16 x 30-5/16 x 11-13/16		
Net Weight	lbs		55.1		
Gross Weight	lbs		66.2		
OUTDOOR UNIT			VIR12HP230V1R32AO	ENV12HP230V1R32AO	SAP12HP230V1R32AO
Sound Pressure Level	dB(A)		52	52	55
External Dimensions (L x D x H)	in		31-37/64 x 13-25/32 x 21-27/32	31 37/64 x 13 25/32 x 21 27/32	34-3/8 x 14-51/64 x 21-27/32
Package Dimension (L x W x H)	in		34-21/64 x 15-43/64 x 24-13/32	34 21/64 x 15 43/64 x 24 13/32	37-7/16 x 16-31/32 x 24-13/32
Net Weight	lbs		67.3	70.6	78.3
Gross Weight	lbs		72.8	76.1	84.9
REFRIGERANT PIPING					
Refrigerant Charge - R410A	oz		28.2	28.2	47.6
Additional Charge	oz/ft		0.2	0.2	0.4
Line Set Sized by Indoor Unit (Liquid - Gas)	in		1/4 - 1/2		
Line Set Size (Liquid - Gas) - Flared Connections	in		1/4 - 1/2	1/4 - 1/2	1/4 - 1/2
Pre-Charge Length	ft		25		
Pipe Length (Min - Max)	ft		10 - 66	10 - 66	10 - 131
Max. Pipe Elevation	ft		40	40	82
ELECTRICAL					
Power Supply			208-230V / 1Ph / 60Hz (Powered by the Outdoor Unit)		
Voltage Range (Min - Max)	VAC		187 - 253		
Rated Current - Cooling	A		6.64	6.64	5.9
Rated Current - Heating	A		6.41	6.41	7.8
MCA	A		10	10	11
MOCP	A		15	15	15
Suggested Breaker Size	A		10	10	15
Main Power Wire Size	AWG		Per Local Code		
Interconnecting Wire Size	AWG		14 / 4		

FEATURES & FUNCTIONS SUMMARY

SYSTEM FEATURES

Inverter Type	G20 with Field Oriented control (FOC)
Ultra Low Frequency Torque Control	Yes
Power Factor Correction	Yes
Compressor Type - Inverter	High Efficiency Rotary
Basepan With Electric Heater	Yes
Indoor & Outdoor Fin Coating (Blue Fin)	Yes
Intelligent Defrosting	Yes
Intelligent Preheating	Yes
Low Voltage Startup	Yes
Memory/Power Failure Recovery	Yes
Self Diagnosis	Yes
Wired Controller Interface	Yes
WiFi Included	No
Indoor Fan Type	Centrifugal
Multi Fan Speeds	4 Speeds
Indoor Unit Display	Yes
Auxiliary Electrical Heater	No
Ventilation (Outdoor Air)	Yes

REMOTE CONTROLLER FUNCTIONS

Auto Mode	Yes
Auto Fan	Yes
Auto Swing (Horizontal Auto Swing)	No
Auto Swing - 180° (Vertical Auto Swing)	Yes
Clock	Yes
Dry Mode	Yes
Dry Anti-Mildew (X-Fan) Mode	Yes
Energy Saving Mode	Yes
Dirty Filter Alert	No
Fan Speed Control (7 Speeds)	Yes
I Feel Function	Yes
Privacy Lock	Yes
Quiet Mode	Yes
Room Temperature Display	No
Sleep Mode	Yes
3 Sleep Mode Options	Yes
Timer Mode	Yes
Turbo Mode	Yes
Display On/Off Control	Yes
Freeze Guard Mode	Yes
Power Failure Mode	Yes

NOTE:

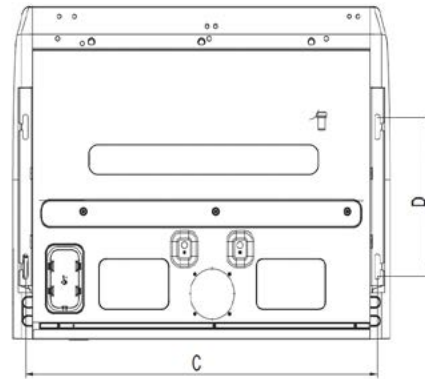
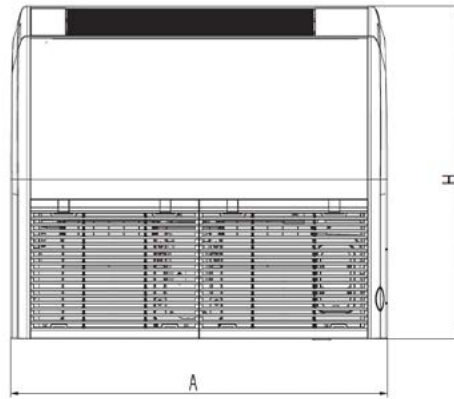
Please check the Multi-zone submittals for Non-Ducted or Mixed Performance table.

DIMENSIONS

INDOOR UNIT

Unit: inch

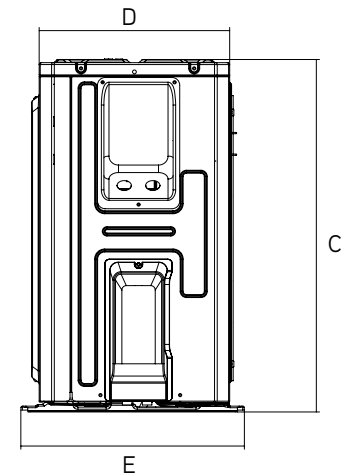
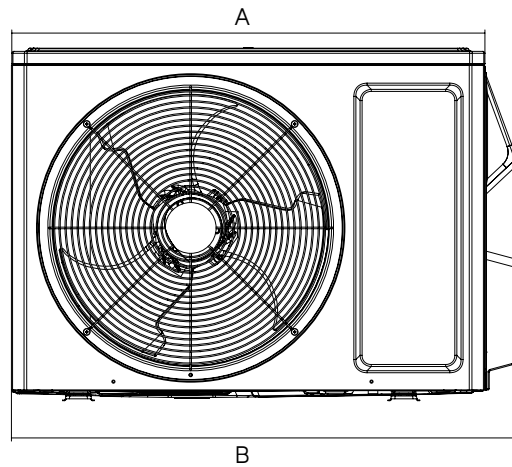
FLR12HP230V1R32AH	
DIMENSIONS	
A	34 1/4
B	9 1/4
C	31 31/32
D	12 33/64
H	26 3/16



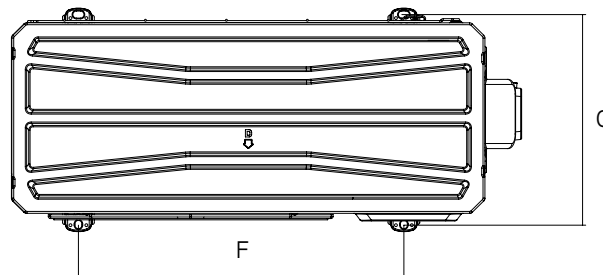
OUTDOOR UNIT

Unit: inch

VIR12HP230V1R32AO	
DIMENSIONS	
A	29 21/64
B	31 37/64
C	21 27/32
D	11 13/16
E	13 25/32
F	20 5/32
G	13 5/64



ENV12HP230V1R32AO	
DIMENSIONS	
A	29 21/64
B	31 37/64
C	21 27/32
D	11 13/16
E	13 25/32
F	20 5/32
G	13 5/64



SAP12HP230V1R32AO	
DIMENSIONS	
A	31 11/16
B	34 3/8
C	21 27/32
D	13 1/64
E	14 51/64
F	20 25/32
G	13 21/32

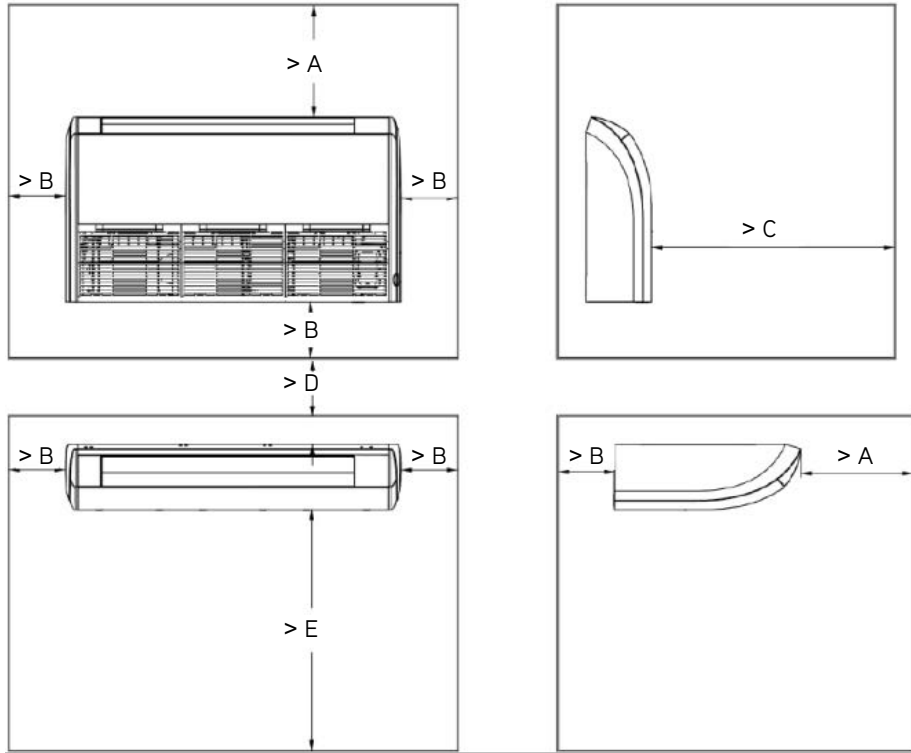
CLEARANCES

INDOOR UNIT

Minimum clearance

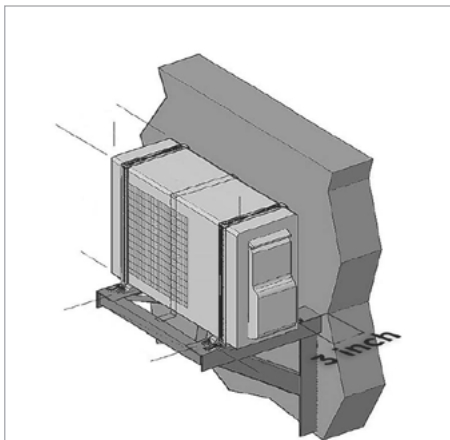
DIMENSIONS	
A	60
B	12
C	39
D	6
E	90

Unit: inch



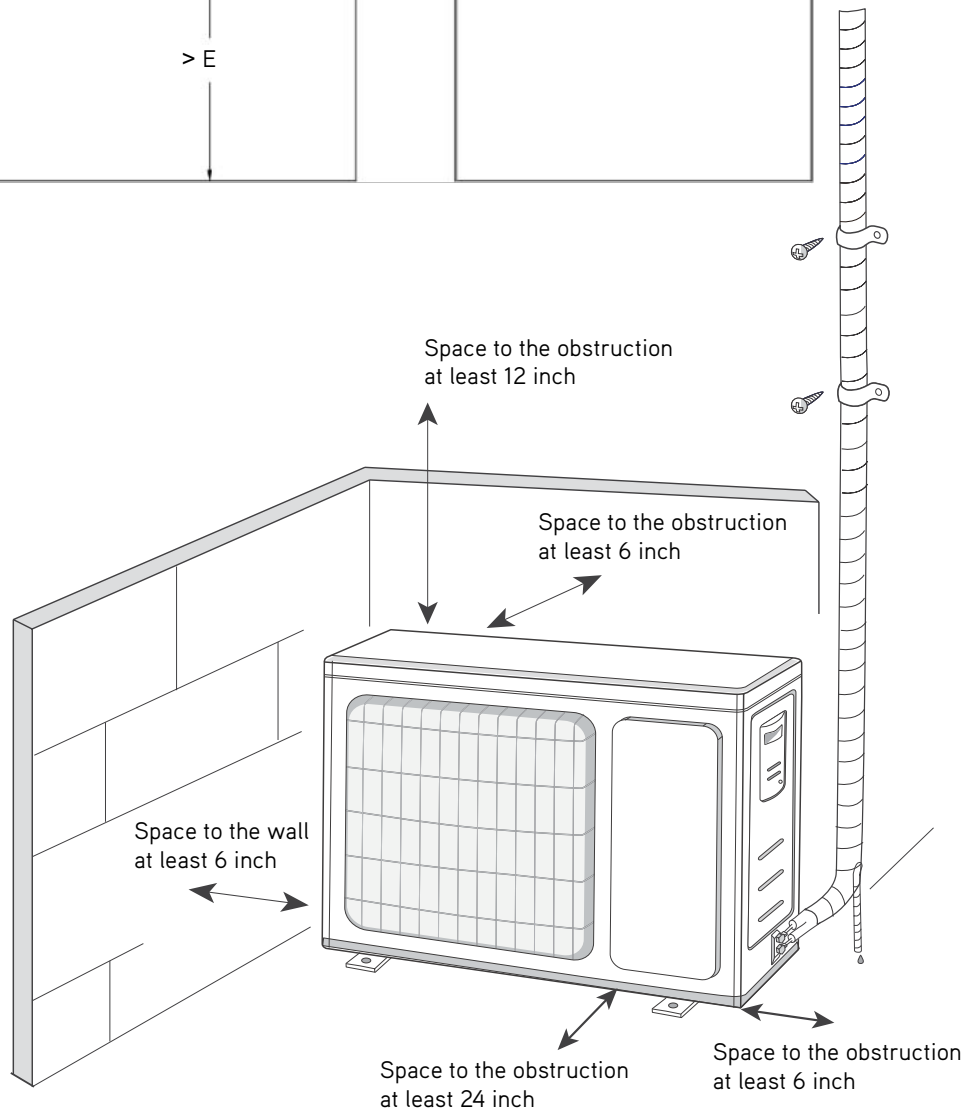
OUTDOOR UNIT

Minimum clearance



NOTE:

If bottom of the unit is free of airflow obstructions similar to the mounting bracket figure, the clearance to the wall on the back can be reduced to 3 inches.



Specifications are subject to change without notice. Manufacturer reserves the right to discontinue or modify specifications or designs without notice or without incurring obligations. All Rights reserved.