




SUBMITTAL DATA

FLR30HP230V1R32AH
30000 BTU/H Floor Ceiling Heat Pump System

| | | |
|------------------|--------------|------|
| Job Name | Location | Date |
| Purchaser | Engineer | |
| Submitted to | For | |
| Unit Designation | Schedule No. | |

| | | |
|---|---|---|
|  |  |  |
| YBE1FB5F | FLR30HP230V1R32AH | XE72-44/E |

GENERAL FEATURES

- AHRI Certificate: [215413819 \(Livo R32 30Btu/h\)](#)
- Quiet Operation and Multi-Speed Fan
- Floor Stand or Ceiling Mount
- Multi-Directional Air Flow
- Wireless Remote with LCD Display Included
- XE72-44/E Wired Controller Included
- Low Ambient Cooling and Heating
- (Indoor and Outdoor) Copper Tube / Aluminum Fin
- Blue Colored Fin - 500 Hrs Salt Spray Tested
- New R32 Refrigerant with Refrigerant Sensor

SPECIFICATIONS, FEATURES & FUNCTION SUMMARY

| INDOOR MODEL | | | FLR30HP230V1R32AH | FEATURES & FUNCTIONS SUMMARY | | |
|---|-------------------|-------|---|---|---------------------------------------|-----|
| System Type | | | HEAT PUMP | | | |
| Outdoor Model | | | LIV30HP230V1R32AO | | | |
| SYSTEM PERFORMANCE | | | | SYSTEM FEATURES | | |
| Cooling | Min - Max | Btu/h | 18,975 - 39,326 | Inverter Type | G20 with Field Oriented control (FOC) | |
| | Capacity @95°F | Btu/h | 30,000 | Ultra Low Frequency Torque Control | Yes | |
| | Min - Max | Btu/h | 18,007 - 41,824 | Power Factor Correction | Yes | |
| Heating | Capacity @47°F | Btu/h | 30,000 | Compressor Type - Inverter | High Efficiency Rotary | |
| | Capacity @17°F | Btu/h | 18,600 | Basepan With Electric Heater | Yes | |
| | Capacity Max @5°F | Btu/h | 19,400 | Indoor & Outdoor Fin Coating (Blue Fin) | Yes | |
| SEER2 | | | 21.00 | Intelligent Defrosting | Yes | |
| EER2 | | | 11.45 | Intelligent Preheating | Yes | |
| HSPF2 | | | 8.0 | Low Voltage Startup | Yes | |
| COP @5°F | | | 1.80 | Memory/Power Failure Recovery | Yes | |
| Cooling Temperature Range | | °F | 0 - 118 | Self Diagnosis | Yes | |
| Heating Temperature Range | | °F | -13 - 75 | Wired Controller Interface | Yes | |
| Refrigerant Type | | | R32 | WiFi Included | No | |
| INDOOR UNIT | | | FLR30HP230V1R32AH | Indoor Fan Type | Centrifugal | |
| Air flow (Min-Max) | | CFM | 706 - 1000 | Multi Fan Speeds | 4 Speeds | |
| Sound Pressure Level (Min - Max) | | dB(A) | 44 - 52 | Indoor Unit Display | Yes | |
| Dehumidification | | pt/hr | 7.40 | Auxiliary Electrical Heater | No | |
| External Dimensions (L x D x H) | | in | 47-1/4 x 9-1/4 x 26-3/16 | Ventilation (Outdoor Air) | Yes | |
| Package Dimension (L x W x H) | | in | 53-11/16 x 30-5/16 x 11-13/16 | REMOTE CONTROLLER FUNCTIONS | | |
| Net Weight | | lbs | 70.6 | Auto Mode | Yes | |
| Gross Weight | | lbs | 83.8 | Auto Fan | Yes | |
| OUTDOOR UNIT | | | LIV30HP230V1R32AO | Auto Swing (Horizontal Auto Swing) | No | |
| Sound Pressure Level | | dB(A) | 62 | Auto Swing - 180° (Vertical Auto Swing) | Yes | |
| External Dimensions (L x D x H) | | in | 39-3/8 x 15-13/16 x 29-3/8 | Clock | Yes | |
| Package Dimension (L x W x H) | | in | 42-33/64 x 19-1/64 x 31-57/64 | Dry Mode | Yes | |
| Net Weight | | lbs | 116.8 | Dry Anti-Mildew (X-Fan) Mode | Yes | |
| Gross Weight | | lbs | 127.9 | Energy Saving Mode | Yes | |
| REFRIGERANT PIPING | | | | Dirty Filter Alert | No | |
| Refrigerant Charge - R410A | | oz | 56.4 | Fan Speed Control (7 Speeds) | Yes | |
| Additional Charge | | oz/ft | 0.4 | I Feel Function | Yes | |
| Line Set Sized by Indoor Unit (Liquid - Gas) | | in | 1/4 - 5/8 | Privacy Lock | Yes | |
| Line Set Size (Liquid - Gas) - Flared Connections | | in | 1/4 - 5/8 | Quiet Mode | Yes | |
| Pre-Charge Length | | ft | 25 | Room Temperature Display | No | |
| Pipe Length (Min - Max) | | ft | 10 - 131 | Sleep Mode | Yes | |
| Max. Pipe Elevation | | ft | 82 | 3 Sleep Mode Options | Yes | |
| ELECTRICAL | | | | Timer Mode | Yes | |
| Power Supply | | | 208-230V / 1Ph / 60Hz (Powered by the Outdoor Unit) | | Turbo Mode | Yes |
| Voltage Range (Min - Max) | | VAC | 187 - 253 | Display On/Off Control | Yes | |
| Rated Current - Cooling | | A | 20 | Freeze Guard Mode | Yes | |
| Rated Current - Heating | | A | 20 | Power Failure Mode | Yes | |
| MCA | | A | 25.6 | | | |
| MOCP | | A | 35 | | | |
| Suggested Breaker Size | | A | 30 | | | |
| Main Power Wire Size | | AWG | Per Local Code | | | |
| Interconnecting Wire Size | | AWG | 14 / 4 | | | |

DIMENSIONS

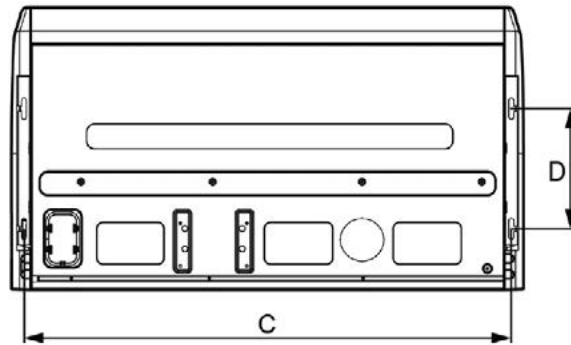
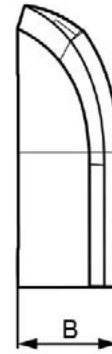
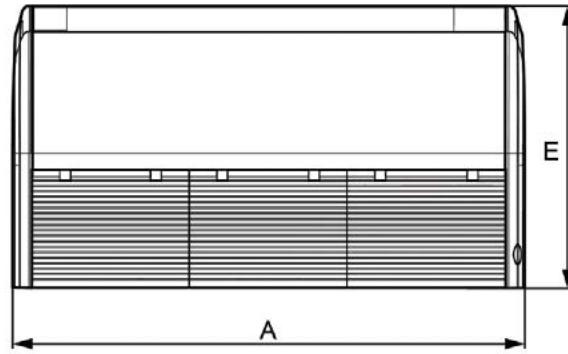
INDOOR UNIT

Unit: inch

FLR30HP230V1R32AH

DIMENSIONS

| | |
|---|----------|
| A | 47 1/4 |
| B | 9 1/4 |
| C | 44 61/64 |
| D | 11 1/32 |
| E | 26 3/16 |



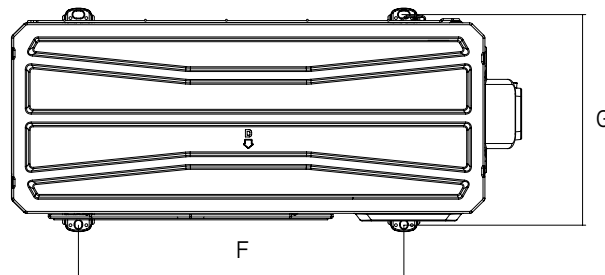
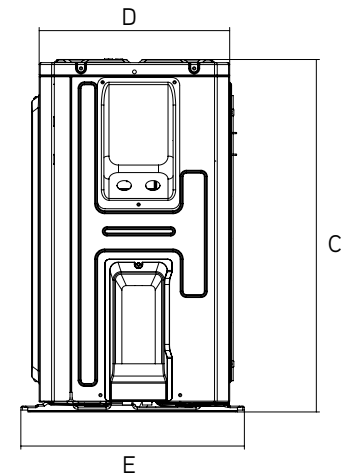
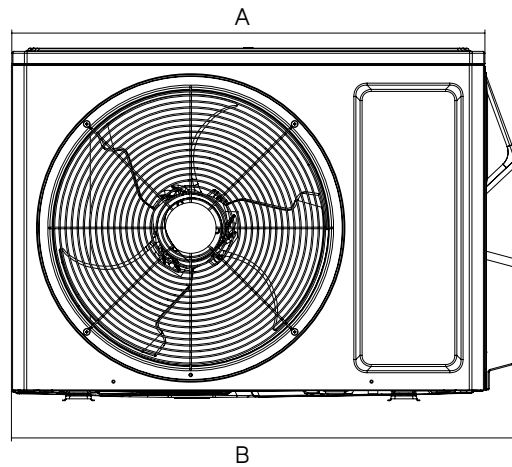
OUTDOOR UNIT

Unit: inch

LIV30HP230V1R32AO

DIMENSIONS

| | |
|---|----------|
| A | 36 11/32 |
| B | 39 3/8 |
| C | 29 3/8 |
| D | 14 17/32 |
| E | 16 13/16 |
| F | 24 1/64 |
| G | 15 35/64 |



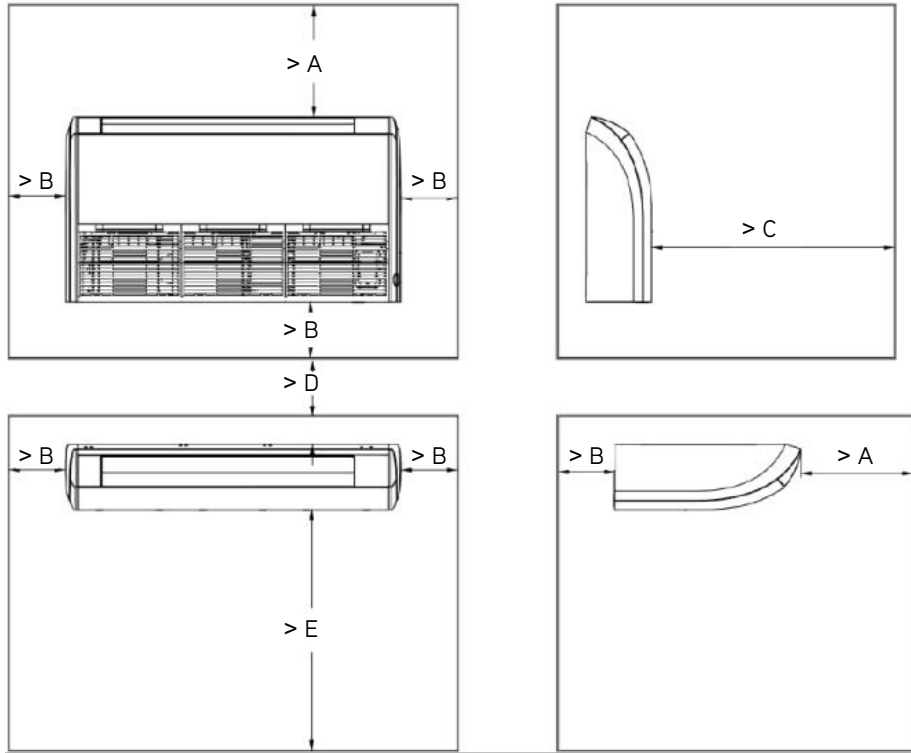
CLEARANCES

INDOOR UNIT

Minimum clearance

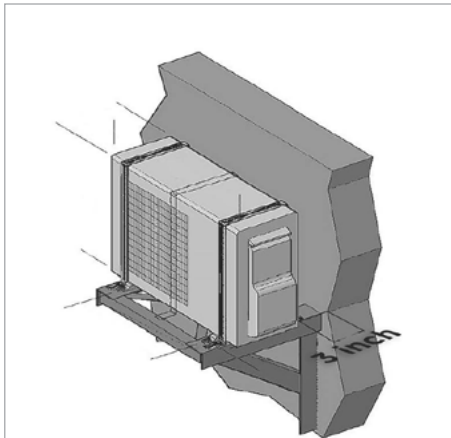
| DIMENSIONS | |
|------------|----|
| A | 60 |
| B | 12 |
| C | 39 |
| D | 6 |
| E | 90 |

Unit: inch

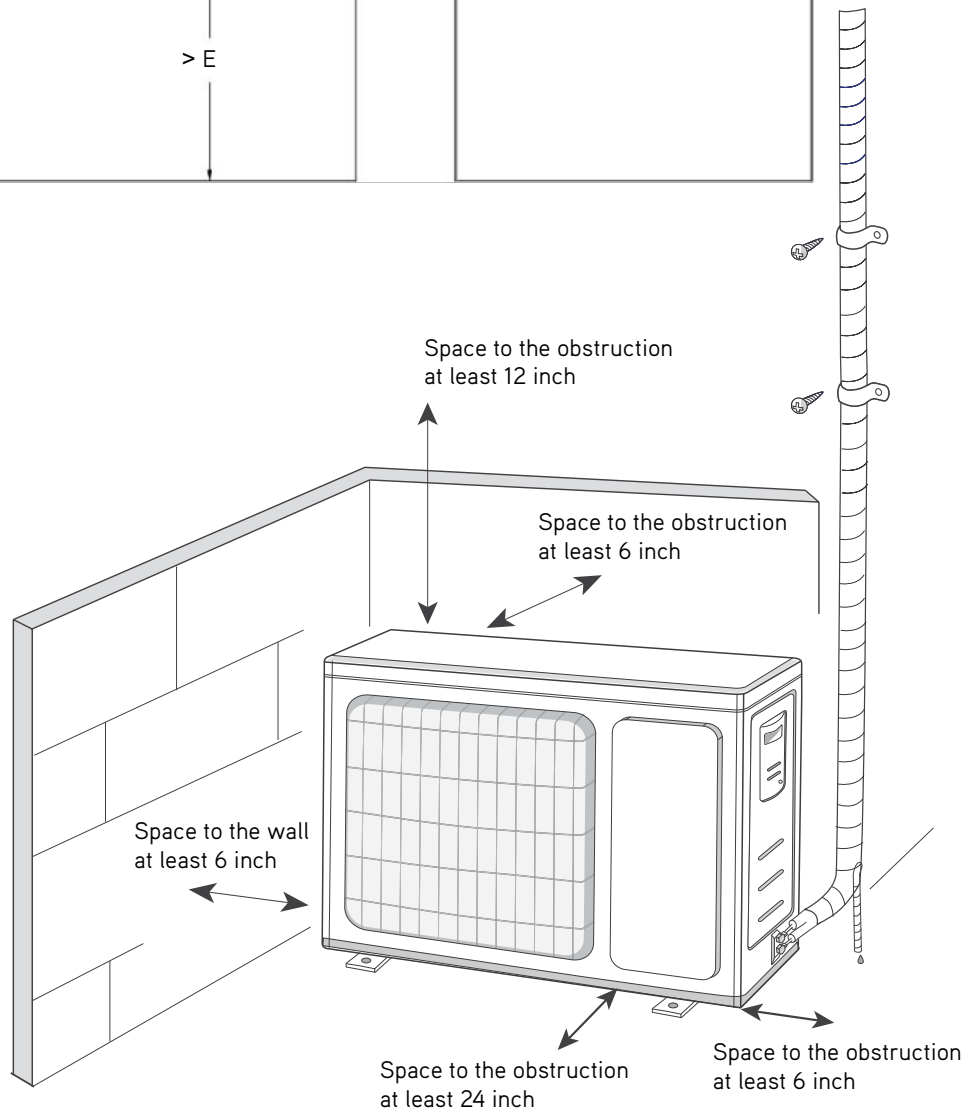


OUTDOOR UNIT

Minimum clearance



NOTE:
If bottom of the unit is free of airflow obstructions similar to the mounting bracket figure, the clearance to the wall on the back can be reduced to 3 inches.



Specifications are subject to change without notice. Manufacturer reserves the right to discontinue or modify specifications or designs without notice or without incurring obligations. All Rights reserved.