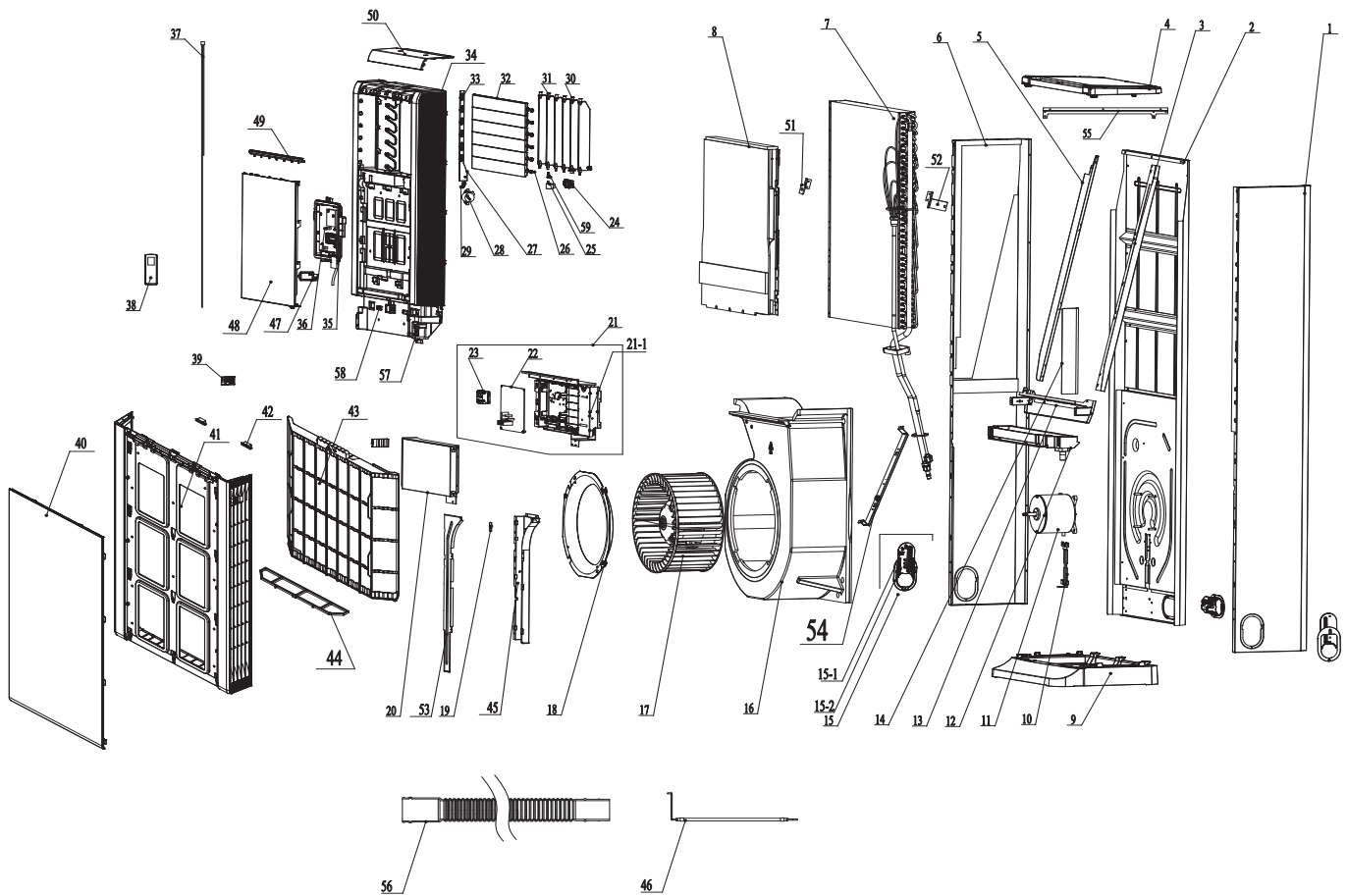


FSU36HP230V1R32AH



FSU36HP230V1R32AH

No.	Part Description	Qty.	Part Code
1	Right Side Plate Sub-Assy	1	0130451801
2	Rear Plate	1	01304286
3	Air Guard	1	01364507
4	Top Cover Sub-Assy	1	000051000034
5	Air Guard	1	01364506
6	Left Side Plate Sub-Assy	1	0130451901
7	Evaporator Assy	1	011001063463
8	Air Guard Assy	1	01364509
9	Chassis	1	200148000005
11	Brushless DC Motor	1	15010406005705
12	Water Tray Sub-Assy	1	12314811
13	Breakwater Sub-Assy	1	01364503P
14	Cover Plate	1	2012406201
15	Cover Assembly	3	2090340000108
15-1	Baffle Plate	1	2611454410
15-2	Rear Cover	1	2224422208
16	Propeller Housing Sub-assy	1	12104058
17	Centrifugal Fan	1	10314401
18	Diversion Circle	1	1037443501
19	Gasket	1	70414201
20	Electric Box Cover Sub-Assy	1	01404388
21	Electric Box Assy	1	100002083182
21-1	Electric Box Sub-Assy	1	0140480601
22	Main Board	1	300002061447
23	Terminal Board	1	420001000002
24	Motor Cover	1	22244170
25	SteppingMotor	1	1521210104
26	Axile Bush	6	1054420304
27	Guide Blade Lever	1	200235000004
28	SteppingMotor	1	15212115
29	Crank 1	1	10564204
30	Air Louver 1	1	200007000028

FSU36HP230V1R32AH

No.	Part Description	Qty	Part Code
31	Air Louver 2	5	200007000029
32	Guide Louver	6	200004000023
33	Crankshaft (wind deflector)	6	200023060014
34	Air Outlet Panel	1	200067000003P01
35	Display Box	1	200028000014
36	PCB	1	370001000291
37	Temperature Sensor	1	390001376
39	Screw Cap	1	200005000006P01
40	Air Intake Panel	1	200064000026
41	Air Intake Panel	1	200064000025
42	Magnet Sub-assy	2	70844202
43	Filter Sub-assy(Upper)	1	111001000032
44	Filter (lower)	1	11124012
45	Electric Raceway	1	02164010
46	Chain	1	70814017
47	Detecting Plate	1	300018060402
48	Decorative Strip	1	230001000038P
49	Big Door Sheet	1	200093000002T01
50	Top Cover	1	200167000004
51	Left Connecting Plate	1	01384482
52	Right Connection Board	1	01384483
53	Pass Wire Slot Cover	1	01254065
54	Press Plate (Propeller Housing)	1	01384061
55	Connected Board (Evaporator)	1	01074501
56	Drain Pipe	1	05230022
57	Retaining Plate Sub-Assy	2	01744026
58	Pressure Plate (magnet)	2	02124030
59	Axile Bush	1	200016060005