

EXPLODED VIEW & PARTS LIST



Indoor unit

DUC09HP230V1R32AH

DUC12HP230V1R32AH

DUC18HP230V1R32AH

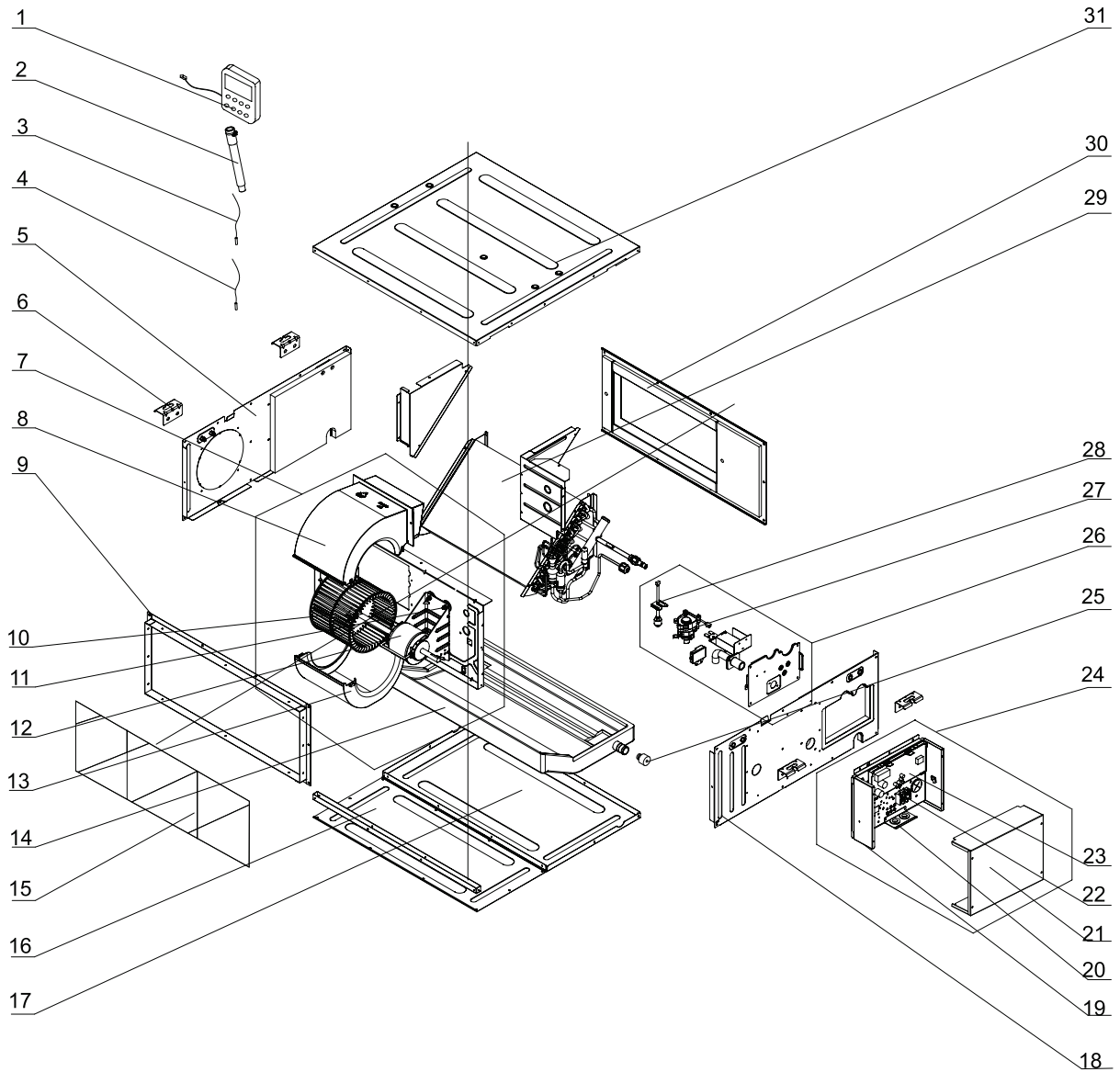
DUC21HP230V1R32AH

DUC24HP230V1R32AH

DUC30HP230V1R32AH

DUC36HP230V1R32AH

DUC09HP230V1R32AH



The component picture is only for reference; please refer to the actual product.

GREE ELECTRIC APPLIANCES INC. OF ZHUHAI
GREECOMFORT.COM



[Back to main page](#)

DUC09HP230V1R32AH

No.	Part Description	Qty.	Part Code
31	Top Cover Board Assy	1	01264100081
NS	Top Cover Board Sub-Assy	1	01264100080
NS	Top Cover	1	01265200180
7	Centrifugal fan Assy	1	000052060068
NS	Blower Mounting Plate Sub-Assy	1	01324100113
11	Supporter (Fan motor)	1	0180520027201
12	Brushless DC Motor	1	1570520000502
NS	Nut	2	70310128
10	Centrifugal Fan	1	10455200003
NS	Fan Nesting	1	0220520401
8	Propeller Housing (Upper)	1	26905200078
13	Propeller Housing (Lower)	1	26905200079
NS	Sponge (front Propeller Housing)	2	12205576
20	Cable Cross Loop	1	76513106
29	Evaporator Assy	1	011001060108
NS	Evaporator Assy	1	011001060101
20	Cable Cross Loop	1	76513106
3	Temperature Sensor	1	390000592
4	Temperature Sensor	1	390000451
5	Right Side Plate Assy	1	01315200148
NS	Right Side Plate Sub-Assy	1	01315200122
NS	Right Side Plate	1	01315200126
18	Left Side Plate Assy	1	01315200147
NS	Left Side Plate Sub-Assy	1	01315200123
NS	Left Side Plate	1	01315200127
14	Foam Sub-Assy	1	12505200038
25	Choke Plug of Drainpipe	2	76815214
17	Bottom Cover Plate	1	01265200181
30	Air Outlet Frame Assy	1	000141060135
NS	Air Outlet Frame Sub-Assy	1	01374100069
16	Cover Of Air-In	1	01265200182
9	Return Air Frame Sub-Assy	1	017026000004
NS	Return Air Frame 2(80 Shell)	2	012247000002



DUC09HP230V1R32AH

No.	Part Description	Qty.	Part Code
15	Filter Sub-Assy	1	111001000055
26	Seal plate Assy	1	000112060191
NS	Seal plate	1	01495200078
27	Water Pump	1	43138000058
28	Liquid Level Switch	1	4502021603
2	Drainage Pipe Sub-Assy	1	04265200012
NS	Drainage Joint	1	26905200152
NS	Gas Sensor	1	340024060016
24	Electric Box Assy	1	100002082863
23	Main Board	1	300002064303
NS	Relay	1	44020366
22	Terminal Board	1	420001000002
NS	Jumper	1	4202021901
21	Electric Box Cover	1	012020000080
6	Hook	4	02112466
1	Display Board	1	300001060714
NS	Front Panel	1	200003060151
NS	Temperature Sensor	1	3900800014701
NS	Signal Wire	1	4003800106
2	Drain Hose Sub-Assy	1	05232050
NS	Drain Hose	1	05232046

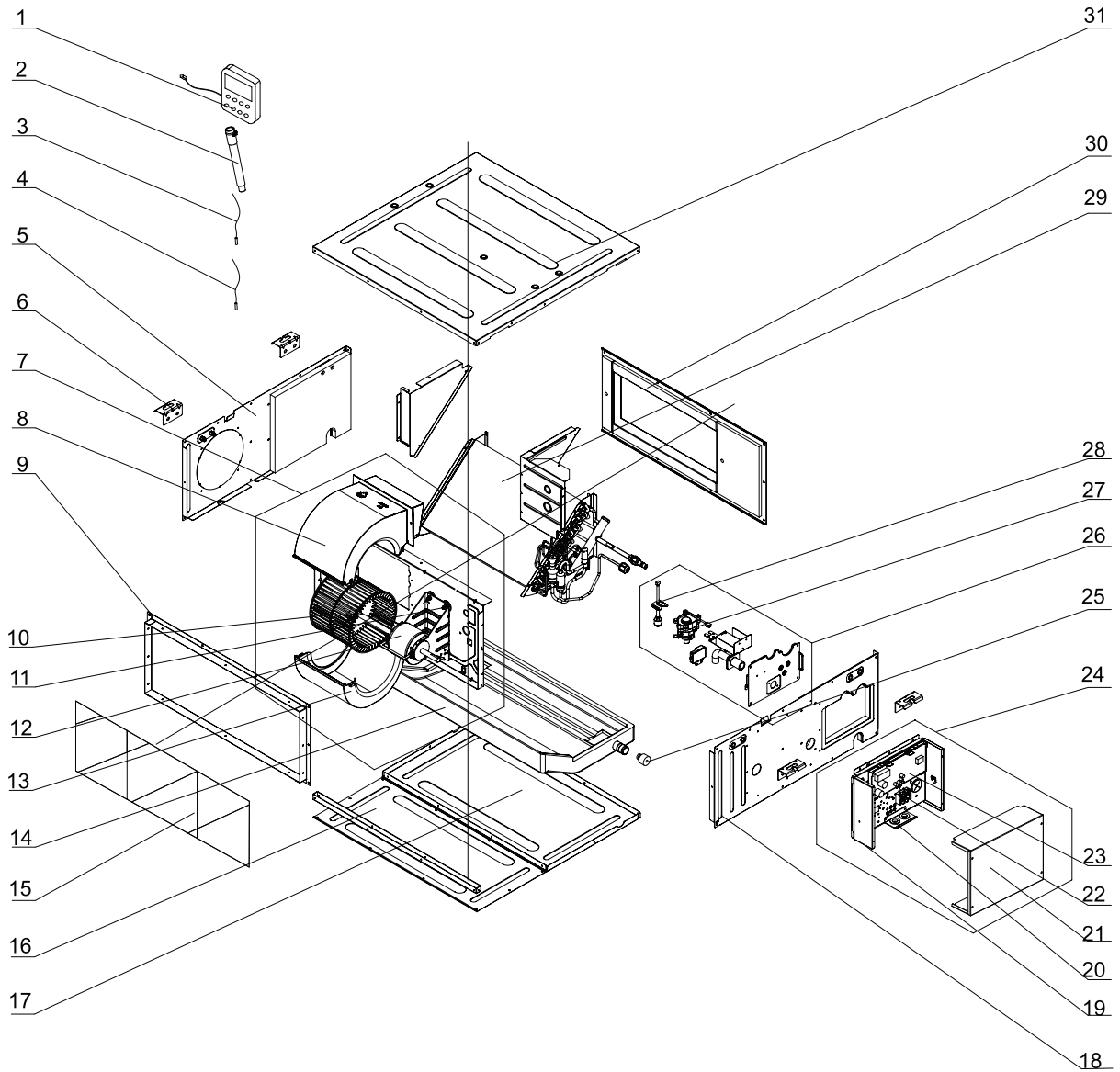
GREE ELECTRIC APPLIANCES INC. OF ZHUHAI
GREECOMFORT.COM



[Back to main page](#)

CAT No. 08282024

DUC12HP230V1R32AH



The component picture is only for reference; please refer to the actual product.

GREE ELECTRIC APPLIANCES INC. OF ZHUHAI
GREECOMFORT.COM



[Back to main page](#)

DUC12HP230V1R32AH

No.	Part Description	Qty.	Part Code
31	Top Cover Board Assy	1	01264100081
NS	Top Cover Board Sub-Assy	1	01264100080
NS	Top Cover	1	01265200180
7	Centrifugal fan Assy	1	000052060068
NS	Blower Mounting Plate Sub-Assy	1	01324100113
11	Supporter (Fan motor)	1	0180520027201
12	Brushless DC Motor	1	1570520000502
NS	Nut	2	70310128
10	Centrifugal Fan	1	10455200003
NS	Fan Nesting	1	0220520401
8	Propeller Housing (Upper)	1	26905200078
13	Propeller Housing (Lower)	1	26905200079
NS	Sponge (front Propeller Housing)	2	12205576
20	Cable Cross Loop	1	76513106
29	Evaporator Assy	1	011001060108
NS	Evaporator Assy	1	011001060101
20	Cable Cross Loop	1	76513106
3	Temperature Sensor	1	390000592
4	Temperature Sensor	1	390000451
5	Right Side Plate Assy	1	01315200148
NS	Right Side Plate Sub-Assy	1	01315200122
NS	Right Side Plate	1	01315200126
18	Left Side Plate Assy	1	01315200147
NS	Left Side Plate Sub-Assy	1	01315200123
NS	Left Side Plate	1	01315200127
14	Foam Sub-Assy	1	12505200038
25	Choke Plug of Drainpipe	2	76815214
17	Bottom Cover Plate	1	01265200181
30	Air Outlet Frame Assy	1	000141060135
NS	Air Outlet Frame Sub-Assy	1	01374100069
16	Cover Of Air-In	1	01265200182
9	Return Air Frame Sub-Assy	1	017026000004
NS	Return Air Frame 2(80 Shell)	2	012247000002



DUC12HP230V1R32AH

No.	Part Description	Qty.	Part Code
15	Filter Sub-Assy	1	111001000055
26	Seal plate Assy	1	000112060191
NS	Seal plate	1	01495200078
27	Water Pump	1	43138000058
28	Liquid Level Switch	1	4502021603
2	Drainage Pipe Sub-Assy	1	04265200012
NS	Drainage Joint	1	26905200152
NS	Gas Sensor	1	340024060016
24	Electric Box Assy	1	100002082863
23	Main Board	1	300002064303
NS	Relay	1	44020366
22	Terminal Board	1	420001000002
NS	Jumper	1	4202021901
21	Electric Box Cover	1	012020000080
6	Hook	4	02112466
1	Display Board	1	300001060714
NS	Front Panel	1	200003060151
NS	Temperature Sensor	1	3900800014701
NS	Signal Wire	1	4003800106
2	Drain Hose Sub-Assy	1	05232050
NS	Drain Hose	1	05232046

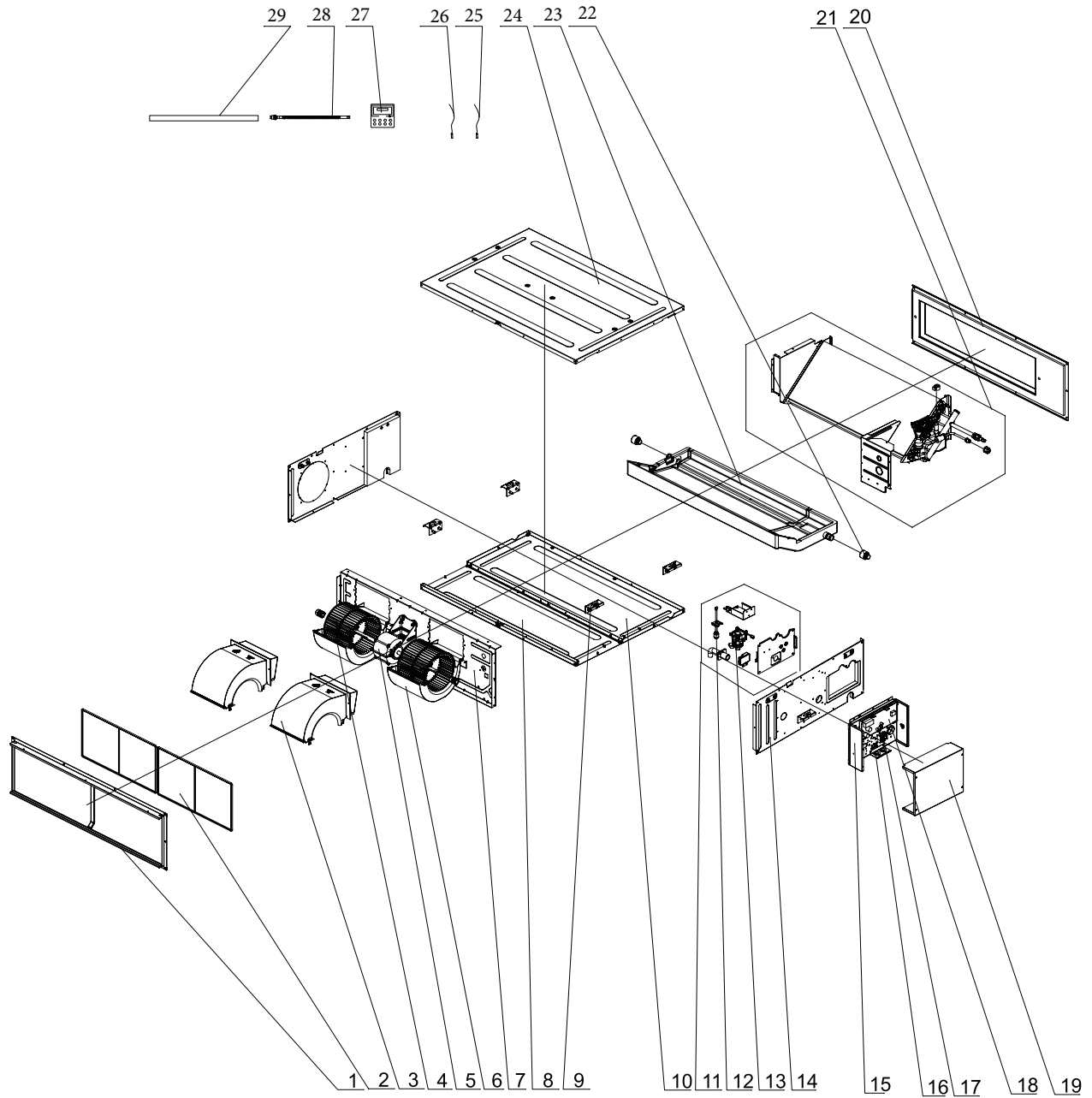
GREE ELECTRIC APPLIANCES INC. OF ZHUHAI
GREECOMFORT.COM



[Back to main page](#)

CAT No. 08282024

DUC18HP230V1R32AH



The component picture is only for reference; please refer to the actual product.



[Back to main page](#)

DUC18HP230V1R32AH

No.	Part Description	Qty.	Part Code
24	Top Cover Board Sub-Assy	1	01265200129
NS	Top Cover	1	01265200128
NS	Centrifugal fan Assy	1	15405200122
7	Blower Mounting Plate Sub-Assy	1	01325200079
NS	Supporter (Fan motor)	1	0180520027201
5	Brushless DC Motor	1	15705200016
4	Centrifugal Fan	2	10455200003
NS	Fan Nesting	1	0220520401
4	Propeller Housing (Upper)	2	26905200078
6	Propeller Housing (Lower)	2	26905200079
NS	Sponge (front Propeller Housing)	4	12205576
16	Cable Cross Loop	1	76513106
21	Evaporator Assy	1	011001063405
NS	Evaporator Assy	1	011001063404
NS	Gas Collecting Pipe Sub-Assy	1	030005000332
16	Cable Cross Loop	1	76513106
25	Temperature Sensor	1	390000592
26	Temperature Sensor	1	390000451
NS	Right Side Plate Assy	1	01315200148
NS	Right Side Plate Sub-Assy	1	01315200122
NS	Right Side Plate	1	01315200126
14	Left Side Plate Assy	1	01315200147
NS	Left Side Plate Sub-Assy	1	01315200123
NS	Left Side Plate	1	01315200127
23	Foam Sub-Assy	1	12505200025
22	Choke Plug of Drainpipe	2	76815214
10	Bottom Cover Plate	1	01265200131
20	Air Outlet Frame Assy	1	01375200026
NS	Air Outlet Frame Sub-Assy	1	01375200025
NS	Longitudinal Beam	1	01875200008
8	Cover Of Air-In	1	01265200132
NS	Return Air Frame Sub-Assy	1	017026000002
NS	Return Air Frame 1 (80 Housing)	2	012247000001

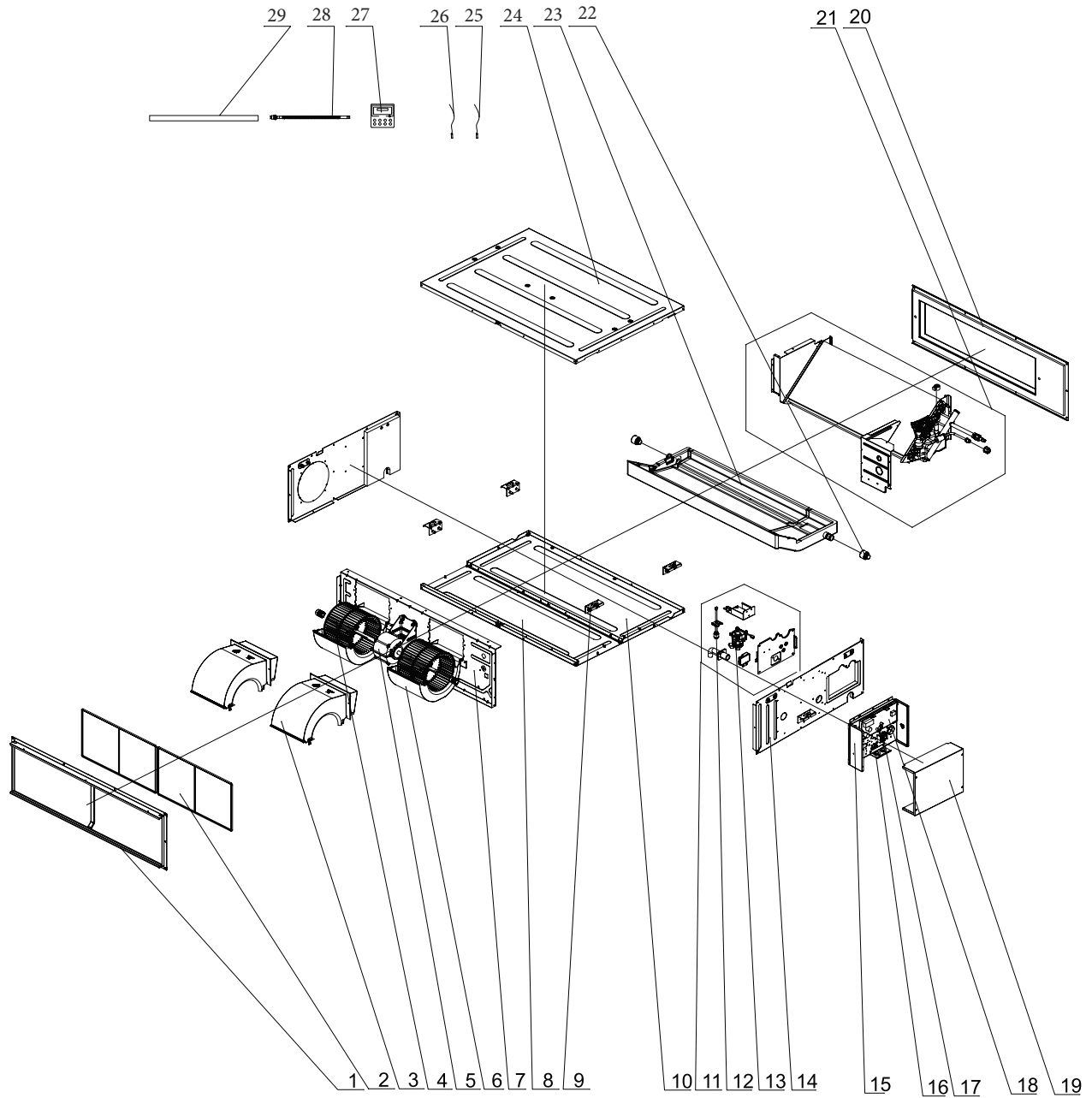


DUC18HP230V1R32AH

No.	Product Description	Qty.	Part Code
NS	Return Air Frame 2 (80 Shell)	2	012247000002
NS	Guide Groove (Return Air Frame)	2	012247000003
NS	Sponge (Return Air Frame)	1	11000000099101
2	Filter Sub-Assy	2	111001000045
11	Seal plate Assy	1	000112060191
NS	Seal plate	1	01495200078
13	Water Pump	1	43138000058
12	Liquid Level Switch	1	4502021603
29	Drainage Pipe Sub-Assy	1	04265200012
NS	Drainage Joint	1	26905200152
NS	Gas Sensor	1	340024060016
15	Electric Box Assy	1	100002082863
18	Main Board	1	300002064303
NS	Relay	1	44020366
17	Terminal Board	1	420001000002
NS	Jumper	1	4202021903
19	Electric Box cover	1	012020000080
9	Hook	4	02112466
27	Display Board	1	300001060714
NS	Front Panel	1	200003060151
NS	Temperature Sensor	1	3900800014701
NS	Signal Wire	1	4003800106
28	Corrugated Pipe	1	05015408
29	Drain Hose Sub-Assy	1	05232050
NS	Drain Hose	1	05232046



DUC21HP230V1R32AH



The component picture is only for reference; please refer to the actual product.



DUC21HP230V1R32AH

No.	Part Description	Qty.	Part Code
24	Top Cover Board Sub-assy	1	01265200129
NS	Top Cover	1	01265200128
NS	Centrifugal fan assy	1	15405200122
7	Blower Mounting Plate Sub-Assy	1	01325200079
NS	Supporter(Fan motor)	1	0180520027201
5	Brushless DC Motor	1	15705200016
4	Centrifugal Fan	2	10455200003
NS	Fan Nesting	1	0220520401
3	Propeller Housing(Upper)	2	26905200078
6	Propeller Housing(Lower)	2	26905200079
NS	Sponge(front Propeller Housing)	4	12205576
16	Cable Cross Loop	1	76513106
21	Evaporator Assy	1	011001063405
NS	Evaporator Assy	1	011001063404
NS	Gas Collecting Pipe Sub-Assy	1	030005000332
16	Cable Cross Loop	1	76513106
25	Temperature Sensor	1	390000592
26	Temperature Sensor	1	390000451
NS	Right Side Plate Assy	1	01315200148
NS	Right Side Plate Sub-Assy	1	01315200122
NS	Right Side Plate	1	01315200126
14	Left Side Plate Assy	1	01315200147
NS	Left Side Plate Sub-Assy	1	01315200123
NS	Left Side Plate	1	01315200127
23	Foam Sub-assy	1	12505200025
22	Choke Plug of Drain Pipe	2	76815214
10	Bottom Cover Plate	1	01265200131
20	Air Outlet Frame Assy	1	01375200026
NS	Air Outlet Frame Sub-assy	1	01375200025
NS	Longitudinal Beam	1	01875200008
8	Cover Of Air-In	1	01265200132
NS	Return Air Frame Sub-Assy	1	017026000002
NS	Retun Air Frame 1(80 Housing)	2	012247000001

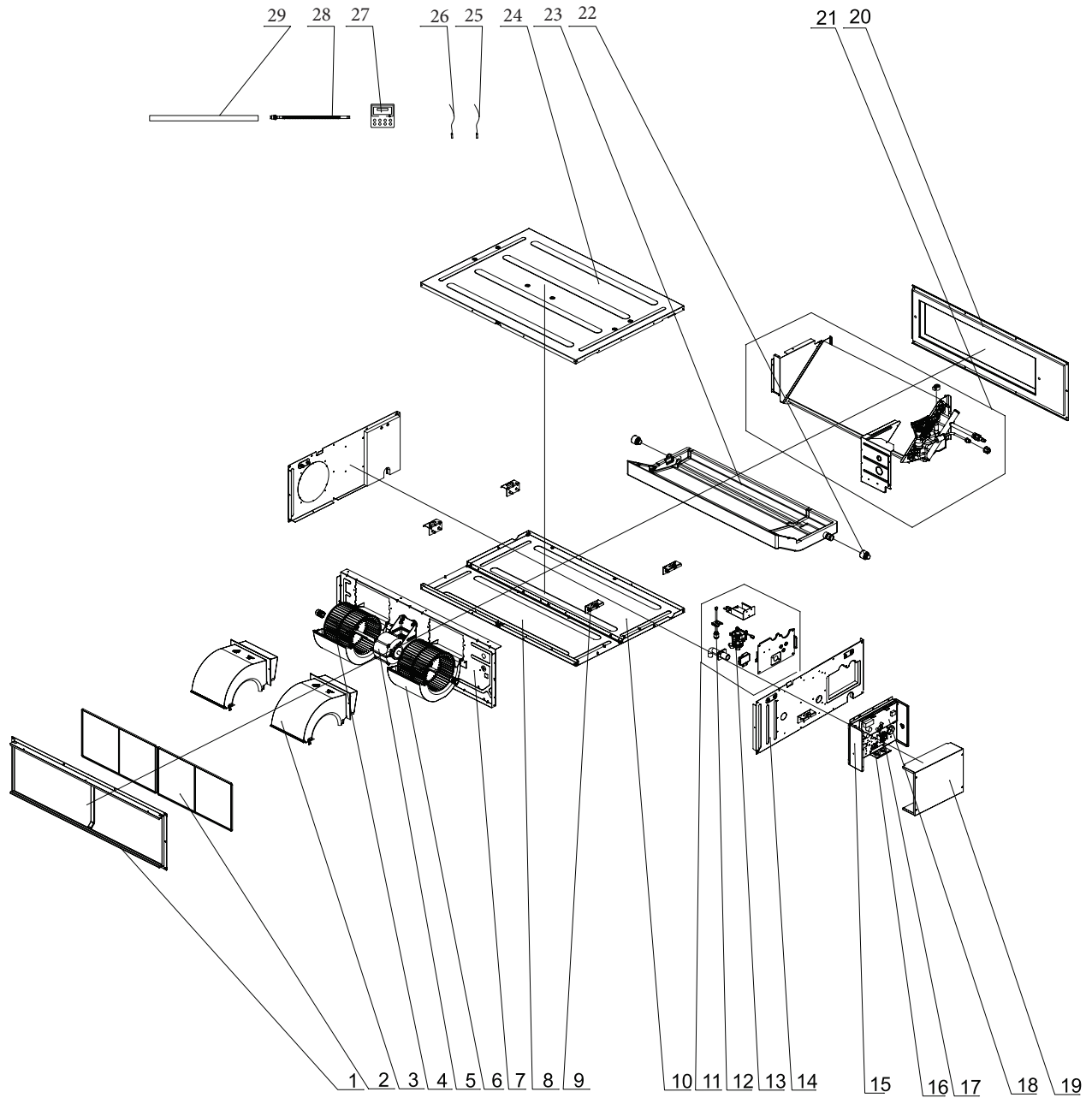


DUC21HP230V1R32AH

NS	Return Air Frame 2 (80 Shell)	2	012247000002
NS	Guide Groove(Return Air Frame)	2	012247000003
NS	Sponge	1	11000000099101
2	Filter Sub-Assy	2	111001000045
11	Seal plate Assy	1	000112060191
NS	Seal plate	1	01495200078
13	Water Pump	1	43138000058
12	Liquid Level Switch	1	4502021603
29	Drainage Pipe Sub-assy	1	04265200012
NS	Drainage Joint	1	26905200152
NS	Gas Sensor	1	340024060016
15	Electric Box Assy	1	100002082863
18	Main Board	1	300002064303
NS	Relay	1	44020366
17	Terminal Board	1	420001000002
NS	Jumper	1	4202021904
19	Electric Box Cover	1	012020000080
9	Hook	4	02112466
27	Display Board	1	300001060714
NS	Front Panel	1	200003060151
NS	Temperature Sensor	1	3900800014701
NS	Signal Wire	1	4003800106
28	Corrugated Pipe	1	05015408
29	Drain Hose Sub-Assy	1	05232050
NS	Drain Hose	1	05232046



DUC24HP230V1R32AH



The component picture is only for reference; please refer to the actual product.



DUC24HP230V1R32AH

No.	Part Description	Qty.	Part Code
24	Top Cover Board Sub-assy	1	01265200129
NS	Top Cover	1	01265200128
NS	Centrifugal fan assy	1	15405200122
7	Blower Mounting Plate Sub-Assy	1	01325200079
NS	Supporter(Fan motor)	1	0180520027201
5	Brushless DC Motor	1	15705200016
4	Centrifugal Fan	2	10455200003
NS	Fan Nesting	1	0220520401
3	Propeller Housing(Upper)	2	26905200078
6	Propeller Housing(Lower)	2	26905200079
NS	Sponge(front Propeller Housing)	4	12205576
16	Cable Cross Loop	1	76513106
21	Evaporator Assy	1	011001063405
NS	Evaporator Assy	1	011001063404
NS	Gas Collecting Pipe Sub-Assy	1	030005000332
16	Cable Cross Loop	1	76513106
25	Temperature Sensor	1	390000592
26	Temperature Sensor	1	390000451
NS	Right Side Plate Assy	1	01315200148
NS	Right Side Plate Sub-Assy	1	01315200122
NS	Right Side Plate	1	01315200126
14	Left Side Plate Assy	1	01315200147
NS	Left Side Plate Sub-Assy	1	01315200123
NS	Left Side Plate	1	01315200127
23	Foam Sub-assy	1	12505200025
22	Choke Plug of Drain Pipe	2	76815214
10	Bottom Cover Plate	1	01265200131
20	Air Outlet Frame Assy	1	01375200026
NS	Air Outlet Frame Sub-assy	1	01375200025
NS	Longitudinal Beam	1	01875200008
8	Cover Of Air-In	1	01265200132
NS	Return Air Frame Sub-Assy	1	017026000002
NS	Retun Air Frame 1(80 Housing)	2	012247000001

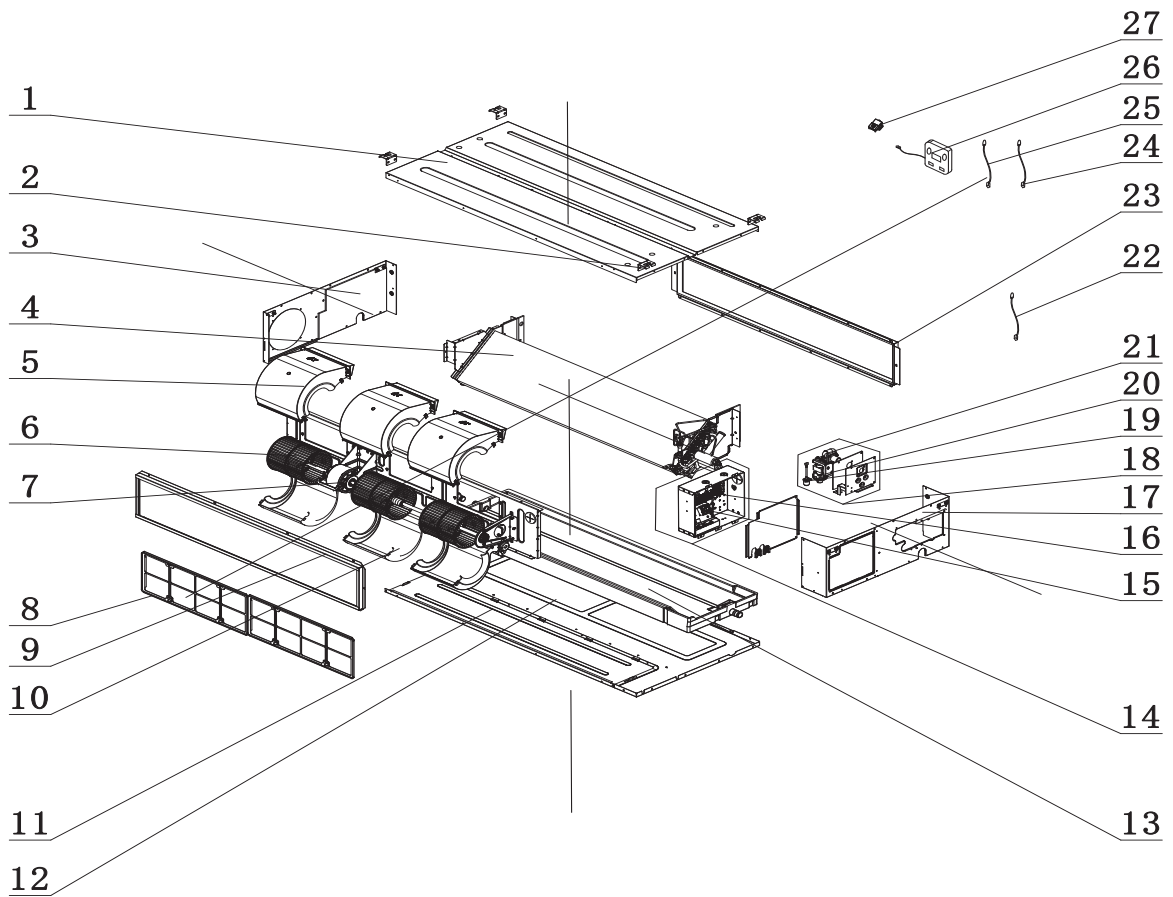


DUC24HP230V1R32AH

NS	Return Air Frame 2 (80 Shell)	2	012247000002
NS	Guide Groove(Return Air Frame)	2	012247000003
NS	Sponge	1	11000000099101
2	Filter Sub-Assy	2	111001000045
11	Seal plate Assy	1	000112060191
NS	Seal plate	1	01495200078
13	Water Pump	1	43138000058
12	Liquid Level Switch	1	4502021603
29	Drainage Pipe Sub-assy	1	04265200012
NS	Drainage Joint	1	26905200152
NS	Gas Sensor	1	340024060016
15	Electric Box Assy	1	100002082863
18	Main Board	1	300002064303
NS	Relay	1	44020366
17	Terminal Board	1	420001000002
NS	Jumper	1	4202021905
19	Electric Box Cover	1	012020000080
9	Hook	4	02112466
27	Display Board	1	300001060714
NS	Front Panel	1	200003060151
NS	Temperature Sensor	1	3900800014701
NS	Signal Wire	1	4003800106
28	Corrugated Pipe	1	05015408
29	Drain Hose Sub-Assy	1	05232050
NS	Drain Hose	1	05232046



DUC30HP230V1R32AH



GREE ELECTRIC APPLIANCES INC. OF ZHUHAI
GREECOMFORT.COM



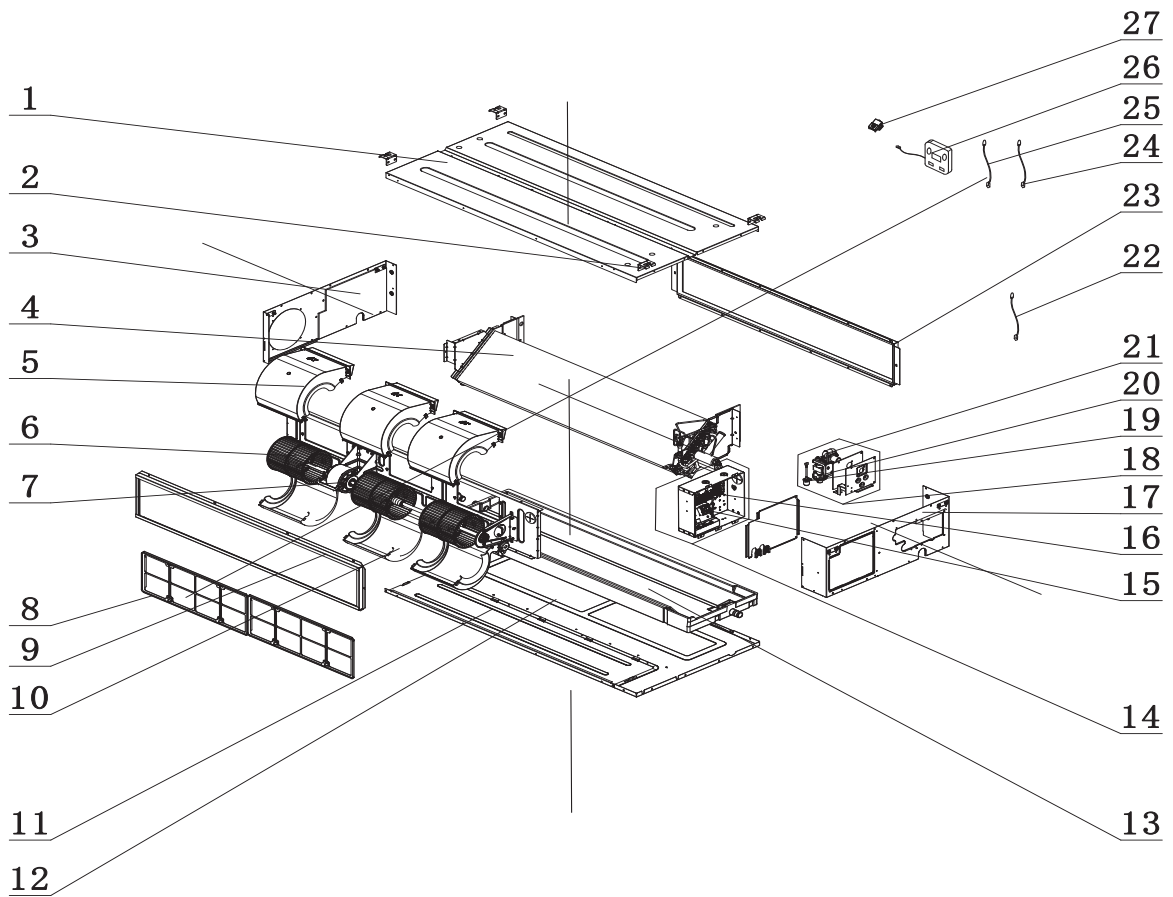
[Back to main page](#)

DUC30HP230V1R32AH

No.	Part Description	Qty.	Part Code
1	Top Cover Board Assy	1	000132060053
2	Hook	4	012045060010
3	Right Side Plate Assy	1	000081060116
4	Evaporator Assy	1	011001061753
5	Volute Casing	2	200230060003
6	Centrifugal Fan	2	103003060003
7	Brushless DC Motor	1	1570410000105
8	Filter Sub-Assy	2	111001060189
9	Air Intake Side Board Sub-assy	1	017040060003
10	Volute Casing	2	200230060004
11	Cover Of Air-In	1	012104060002
12	Bottom Cover Plate	1	012147060082
13	Water Tray Assy	1	000069060293
14	Electric Box Assy	1	100002083608
15	Terminal Board	1	42000100000207
16	Main Board	1	300002064402
17	Left Side Plate Assy	1	000080060106
18	Water Pump Assy	1	000104060048
19	Liquid Level Switch	1	430024000005
20	Water Pump	1	81200706001601
21	Pump Drainpipe	1	760022000001
22	Temperature Sensor	1	3900800014701
23	Air Outlet Side Board	1	012134060023
24	Temperature Sensor	1	390000596
25	Temperature Sensor	1	390000451
26	Display Board	1	300001060714
27	Gas Sensor	1	34002406001603



DUC36HP230V1R32AH



GREE ELECTRIC APPLIANCES INC. OF ZHUHAI
GREECOMFORT.COM



[Back to main page](#)

DUC36HP230V1R32AH

No.	Part Description	Qty.	Part Code
1	Top Cover Board Assy	1	0126534901
NS	Top Cover	1	0126534201
NS	Blower Mounting Plate Sub-Assy	1	017004060035
NS	Blower Mounting Plate	1	012046060028
7	Brushless DC Motor	1	1570520001602
NS	Motor Support Sub-Assy	1	0180940003104
NS	Bar Clasp	2	012133000018
NS	Rotary Axis Sub-Assy	1	700003060018
NS	Joint Slack	1	73018731
6	Centrifugal Fan	3	103003060003
NS	Fan Nesting	1	0220520401
10	Volute Casing	3	200230060003
5	Volute Casing	3	200230060004
NS	Support Of Motor Bearing	1	02285200001
NS	Bearing Holder Sub-assy	1	26151139
NS	Bearing Holder	1	26151138
NS	Cable Cross Loop	1	76514801
4	Evaporator Assy	1	011001063304P
NS	Strainer	1	035021060019
25	Temperature Sensor	1	390000598
27	Refrigerant Sensor	1	34002406001607
17	Left Side Plate Assy	1	000080060120
NS	Left Side Plate	1	012055060293
3	Right Side Plate Assy	1	000081060128
NS	Right Side Plate	1	012056060341
NS	Water Pump Assy	1	000104060063
20	Water Pump	1	81200706001607
NS	Rubber Sheet	3	760019060014
21	Pump Drainpipe	1	760022000001
19	Water Level Switch	1	43002400000502
14	Electric Box Assy	1	100002083505
NS	Electric Box Sub-Assy	1	01700706251401



DUC36HP230V1R32AH

No.	Part Description	Qty.	Part Code
16	Main Board	1	300002064402
NS	Relay	1	44020366
NS	Jumper	1	4202021911
NS	Wire Clamp	1	71010003
15	Terminal Board	1	42000100000207
24	Temperature Sensor	1	390000451
13	Water Tray Assy	1	000069060318
12	Bottom Cover Plate	1	012147060085
11	Cover Of Air-In	1	01265344
23	Air Outlet Side Board Assy	1	000113060002
NS	Border Plate of Air Outlet Sub-Assy	1	017039060002
9	Air intake side-board Sub-assy	1	02225261
NS	Air Intake Side Board 1	2	02225259
2	Hook	4	012045060010
8	Filter Sub-Assy	2	11725206
26	Display Board	1	300001060714
NS	Front Panel	1	200003060151
NS	Signal Wire	1	4003800106

GREE ELECTRIC APPLIANCES INC. OF ZHUHAI
GREECOMFORT.COM



[Back to main page](#)

CAT No. 01022025