
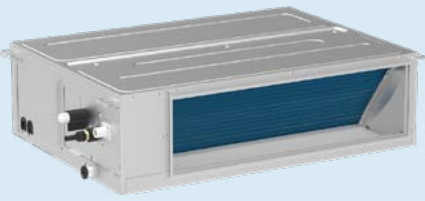



## SUBMITTAL DATA

DUC24HP230V1R32AH  
24000 BTU/H Slim Duct (HS) Heat Pump System

Job Name	Location	Date
Purchaser	Engineer	
Submitted to	For	
Unit Designation	Schedule No.	

		
YBE1FB5F	DUC24HP230V1R32AH	XE72-44/E

### GENERAL FEATURES

- AHRI Certificate: 215415515 (Vireo R32), 215415520 (Envo R32), 215415446 (Sapphire R32)
- High Efficiency DC Inverter Technology
- Compact and Quiet Design
- Slim Line Construction
- High Static E.S.P Capability -Adjustible
- Internal Condensate Drain Pump
- Flexible Return Air From Bottom Or Rear
- Wireless Remote with LCD Display Included
- XE72-44/E Wi-Fi Wired Controller Included
- Low Ambient Cooling and Heating
- Coil (Indoor and Outdoor) Copper Tube / Aluminum Fin
- Blue Colored Fin - 500 Hrs Salt Spray Tested
- New R32 Refrigerant with Refrigerant Sensor

## SPECIFICATIONS, FEATURES & FUNCTION SUMMARY

INDOOR MODEL			DUC24HP230V1R32AH		
System Type			HEAT PUMP		
Outdoor Model		VIR24HP230V1R32AO	ENV24HP230V1R32AO	SAP24HP230V1R32AO	
SYSTEM PERFORMANCE					
Cooling	Min - Max	Btu/h	3,600 - 26,500	3,600 - 26,500	3,600 - 26,500
	Capacity @95°F	Btu/h	22,000	22,000	22,000
	Min - Max	Btu/h	4,000 - 33,000	4,000 - 33,000	4,000 - 33,000
Heating	Capacity @47°F	Btu/h	24,000	24,000	24,000
	Capacity @17°F	Btu/h	15,600	15,600	15,600
	Capacity Max @5°F	Btu/h	19,600	7,600	21,000
SEER2			19.5	19.5	22.0
EER2			12.3	12.3	12.5
HSPF2			9.0	9.0	9.0
COP @5°F			1.80	1.80	1.80
Cooling Temperature Range		°F		-20 - 122	
Heating Temperature Range		°F		-22 - 86	
Refrigerant Type				R32	
INDOOR UNIT			DUC24HP230V1R32AH		
Air flow (Min-Max)		CFM	406 - 736		
External Static Pressure (Max)		In W.c.	0.8		
Sound Pressure Level (Min - Max)		dB(A)	30 - 42		
Dehumidification		pt/hr	5.28		
External Dimensions (L x D x H)		in	44-31/64 x 29-11/16 x 11-13/16		
Package Dimension (L x W x H)		in	47-7/16 x 32-1/64 x 14-11/64		
Net Weight		lbs	92.6		
Gross Weight		lbs	106.9		
OUTDOOR UNIT		VIR24HP230V1R32AO	ENV24HP230V1R32AO	SAP24HP230V1R32AO	
Sound Pressure Level		dB(A)	58	61	62
External Dimensions (L x D x H)		in	37-23/32 x 15-53/64 x 25-63/64	39-3/8 x 16-13/16 x 29-3/8	39-3/8 x 16-13/16 x 29-3/8
Package Dimension (L x W x H)		in	40-5/8 x 17-61/64 x 29-1/64	42-33/64 x 19-1/64 x 31-57/64	42-33/64 x 19-1/64 x 31-57/64
Net Weight		lbs	92.6	103.6	115.8
Gross Weight		lbs	102.5	114.7	126.8
REFRIGERANT PIPING					
Refrigerant Charge - R410A		oz	42.3	49.4	56.4
Additional Charge		oz/ft	0.4	0.4	0.4
Line Set Sized by Indoor Unit (Liquid - Gas)		in		1/4 - 5/8	
Line Set Size (Liquid - Gas) - Flared Connections		in	1/4 - 5/8	1/4 - 5/8	1/4 - 5/8
Pre-Charge Length		ft		25	
Pipe Length (Min - Max)		ft	10 - 131	10 - 131	10 - 131
Max. Pipe Elevation		ft	82	82	82
ELECTRICAL					
Power Supply			208-230V / 1Ph / 60Hz (Powered by the Outdoor Unit)		
Voltage Range (Min - Max)		VAC		187 - 253	
Rated Current - Cooling		A	13	5.9	14
Rated Current - Heating		A	15.5	7.8	21.5
MCA		A	22	11	25
MOCP		A	30	15	40
Suggested Breaker Size		A	25	15	25
Main Power Wire Size		AWG		Per Local Code	
Interconnecting Wire Size		AWG		14 / 4	

## FEATURES & FUNCTIONS SUMMARY

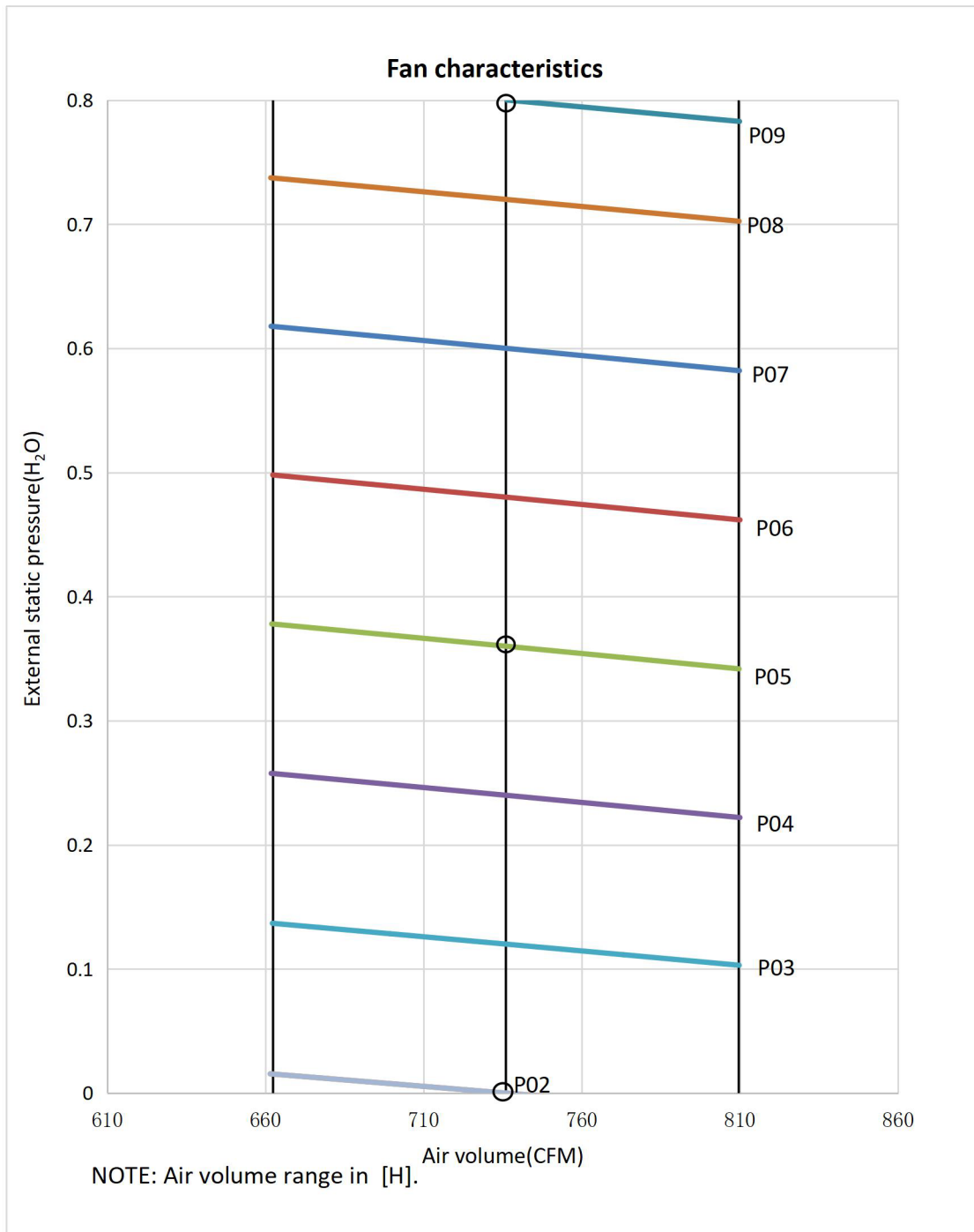
### SYSTEM FEATURES

Inverter Type	G20 with Field Oriented control (FOC)
Ultra Low Frequency Torque Control	Yes
Power Factor Correction	Yes
Compressor Type - Inverter	High Efficiency Rotary
Basepan With Electric Heater	Yes
Indoor & Outdoor Fin Coating (Blue Fin)	Yes
Intelligent Defrosting	Yes
Intelligent Preheating	Yes
Low Voltage Startup	Yes
Memory/Power Failure Recovery	Yes
Self Diagnosis	Yes
Wired Controller Interface	Yes
WiFi Included	No
Indoor Fan Type	Centrifugal
Multi Fan Speeds	4 Speeds
Indoor Unit Display	Yes
Auxiliary Electrical Heater	No
Ventilation (Outdoor Air)	Yes

#### **NOTE:**

Please check the Multi-zone submittals for Ducted or Mixed Performance table.

## FAN PERFORMANCE



**NOTE:**

The static pressure is adjusted using the wired controller. Refer to the wired controller instruction manual for more information.

## DIMENSIONS

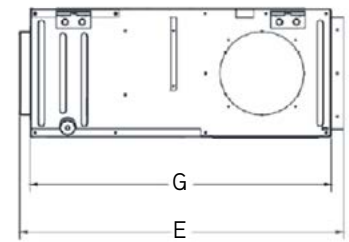
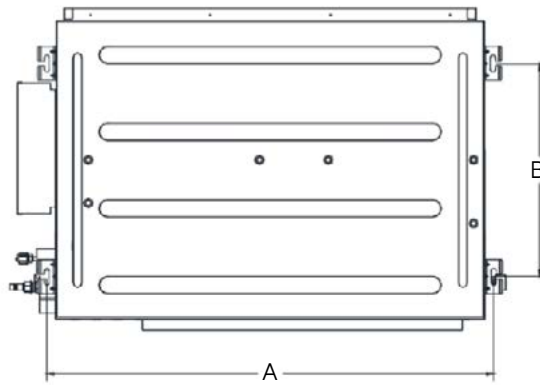
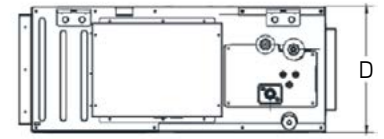
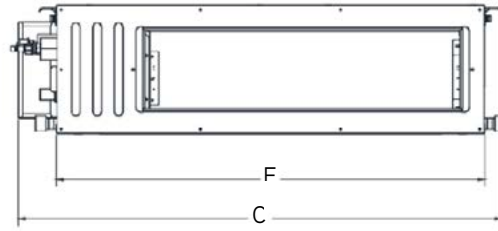
### INDOOR UNIT

Unit: inch

DUC24HP230V1R32AH

#### DIMENSIONS

A	40 15/16
B	19 11/16
C	44 31/64
D	11 13/16
E	29 11/16
F	39 3/8
G	27 9/16



### OUTDOOR UNIT

Unit: inch

VIR24HP230V1R32AO

#### DIMENSIONS

A	35
B	37 23/32
C	25 63/64
D	13 25/64
E	15 53/64
F	22 7/16
G	14 39/64

ENV24HP230V1R32AO

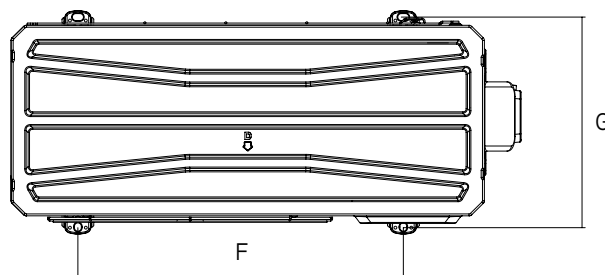
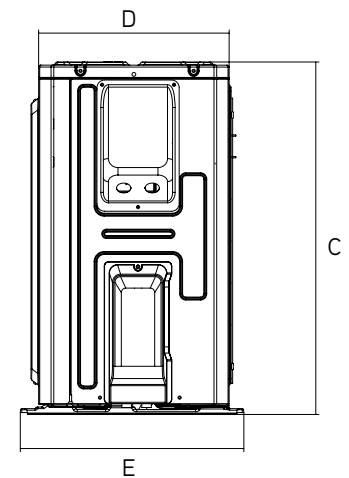
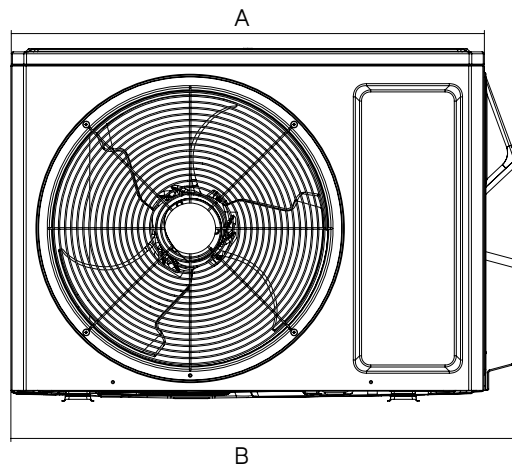
#### DIMENSIONS

A	36 11/32
B	39 3/8
C	29 3/8
D	14 17/32
E	16 13/16
F	24 1/64
G	15 35/64

SAP24HP230V1R32AO

#### DIMENSIONS

A	36 11/32
B	39 3/8
C	29 3/8
D	14 17/32
E	16 13/16
F	24 1/64
G	15 35/64

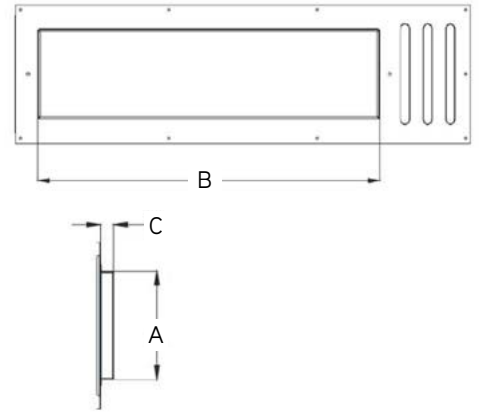
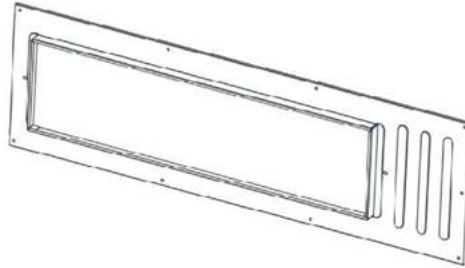


# SUPPLY AND RETURN AIR OPENING DIMENSIONS

## SUPPLY AIR OUTLET

Unit: inch

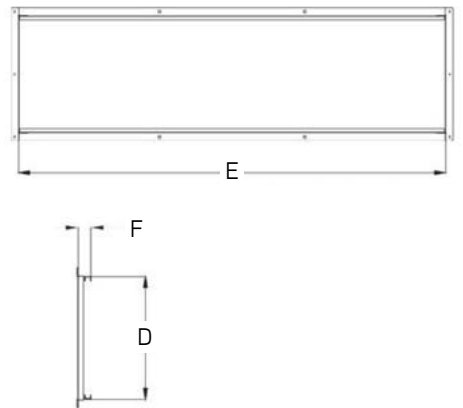
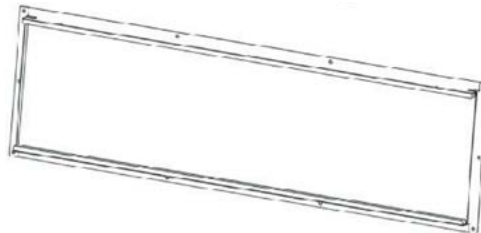
DUC24HP230V1R32AH	
DIMENSIONS	
A	7-5/8
B	29-9/16
C	1



## RETURN AIR INLET

Unit: inch

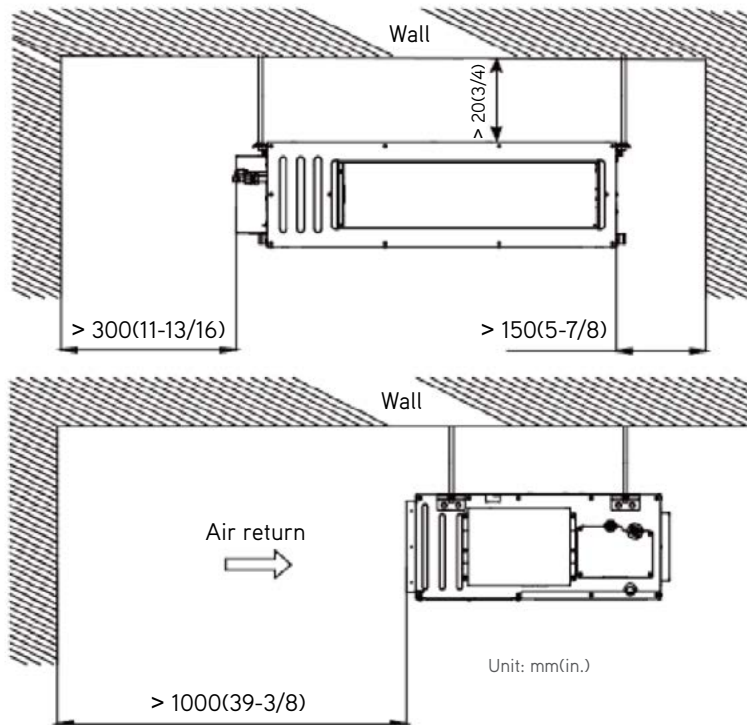
DUC24HP230V1R32AH	
DIMENSIONS	
D	10-3/8
E	37-3/4
F	1-1/8



# CLEARANCES

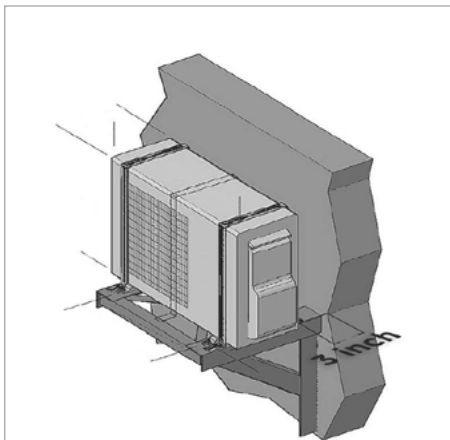
## INDOOR UNIT

Minimum clearance

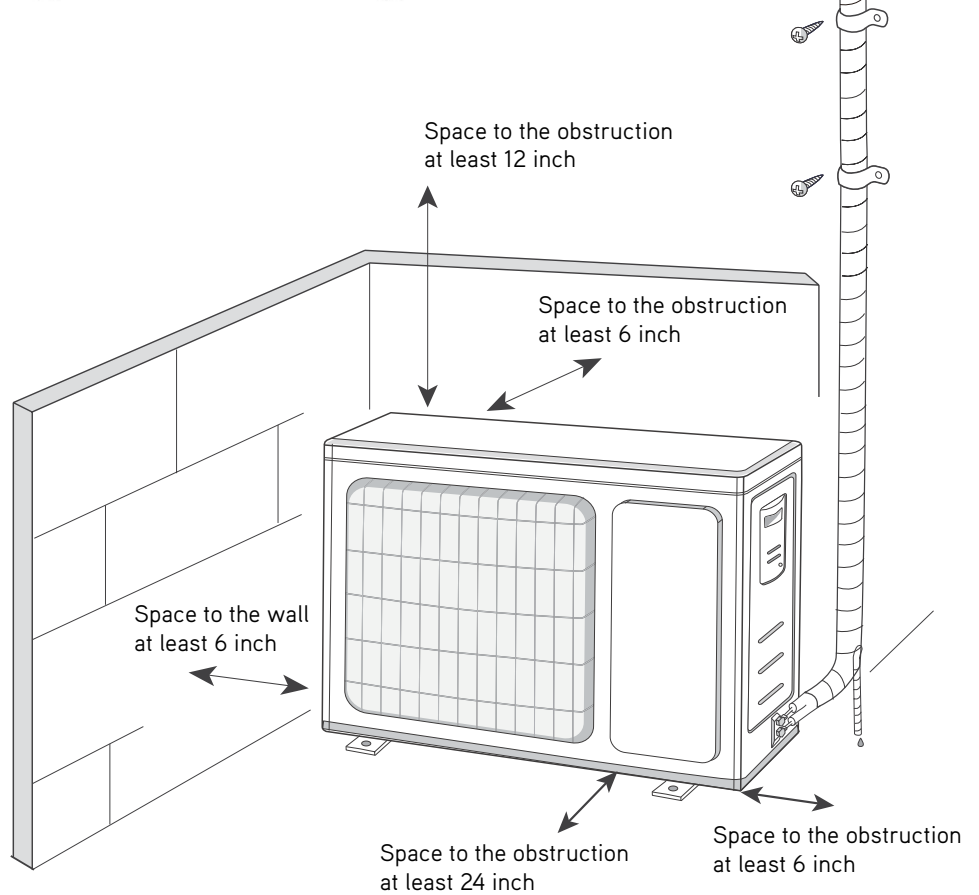


## OUTDOOR UNIT

Minimum clearance



**NOTE:**  
If bottom of the unit is free of airflow obstructions similar to the mounting bracket figure, the clearance to the wall on the back can be reduced to 3 inches.



Specifications are subject to change without notice. Manufacturer reserves the right to discontinue or modify specifications or designs without notice or without incurring obligations. All Rights reserved.