
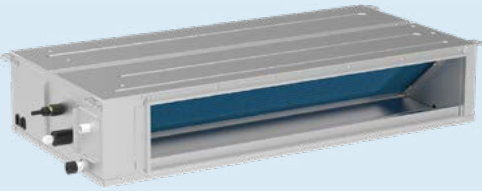



SUBMITTAL DATA

DUC36HP230V1R32AH
36000 BTU/H Slim Duct (HS) Heat Pump System

| | | |
|------------------|--------------|------|
| Job Name | Location | Date |
| Purchaser | Engineer | |
| Submitted to | For | |
| Unit Designation | Schedule No. | |

| | | |
|---|---|---|
|  |  |  |
| YBE1FB5F | DUC36HP230V1R32AH | XE72-44/E |

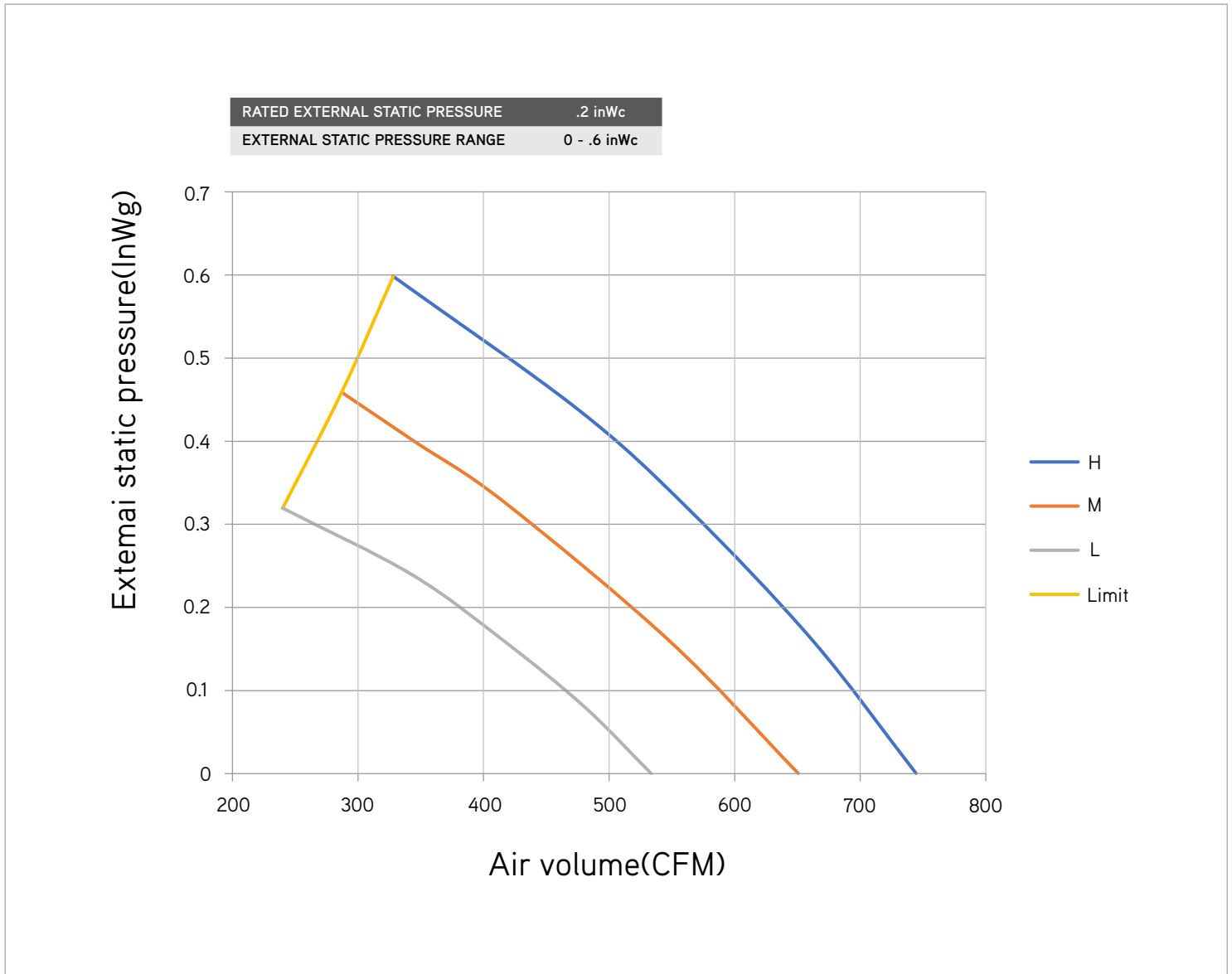
GENERAL FEATURES

- AHRI Certificate: [215415559 \(Livo R32 36Btu/h\)](#)
- High Efficiency DC Inverter Technology
- Compact and Quiet Design
- Slim Line Construction
- High Static E.S.P Capability -Adjustible
- Internal Condensate Drain Pump
- Flexible Return Air From Bottom Or Rear
- Wireless Remote with LCD Display Included
- XE72-44/E Wi-Fi Wired Controller Included
- Low Ambient Cooling and Heating
- Coil (Indoor and Outdoor) Copper Tube / Aluminum Fin
- Blue Colored Fin - 500 Hrs Salt Spray Tested
- New R32 Refrigerant with Refrigerant Sensor

SPECIFICATIONS, FEATURES & FUNCTION SUMMARY

| SYSTEM TYPE | | | HEAT PUMP | | FEATURES & FUNCTIONS SUMMARY | | |
|---|-------------------|---------|---|--|---|--|------------------------|
| Indoor Model | | | DUC36HP230V1R32AH | | Inverter Type | | G20 |
| Outdoor Model | | | LIV36HP230V1R32AO | | Ultra Low Frequency Torque Control | | Yes |
| SYSTEM PERFORMANCE | | | | | | | |
| Cooling Capacity | Min - Max | Btu/h | 22,043 - 45,686 | | Power Factor Correction | | Yes |
| | Capacity @95°F | Btu/h | 33,600 | | Compressor Type - Inverter | | High Efficiency Rotary |
| Heating Capacity | Min - Max | Btu/h | 19,467 - 45,216 | | Basepan With Electric Heater | | Yes |
| | Capacity @47°F | Btu/h | 34,000 | | Indoor & Outdoor Fin Coating (Blue Fin) | | Yes |
| | Capacity @17°F | Btu/h | 27,200 | | Intelligent Defrosting | | Yes |
| | Capacity Max @5°F | Btu/h | 23,600 | | Intelligent Preheating | | Yes |
| SEER2 | | | 20.0 | | Low Voltage Startup | | Yes |
| EER2 | | | 11.95 | | Memory/Power Failure Recovery | | Yes |
| HSPF2 | | | 8.5 | | Self Diagnosis | | Yes |
| COP @5°F | | | 1.90 | | Wired Controller Interface | | Yes |
| Cooling Temperature Range | | °F | 0 - 118 | | WiFi Included | | No |
| Heating Temperature Range | | °F | -13 - 75 | | Indoor Fan Type | | Centrifugal |
| Refrigerant Type | | | R32 | | Multi Fan Speeds | | 4 Speeds |
| INDOOR UNIT | | | DUC36HP230V1R32AH | | | | |
| Air flow (Min-Max) | | CFM | 853 - 1324 | | Indoor Unit Display | | No |
| External Static Pressure (Max) | | In W.c. | 0.8 | | Auxiliary Electrical Heater | | No |
| Sound Pressure Level (Min - Max) | | dB(A) | 39 - 45 | | Ventilation (Outdoor Air) | | No |
| Dehumidification | | pt/hr | 7.82 | | REMOTE CONTROLLER FUNCTIONS | | |
| External Dimensions (L x D x H) | | in | 52-3/4 x 25-25/32 x 10-15/64 | | Auto Mode | | Yes |
| Package Dimension (L x W x H) | | in | 61-47/64 x 30-5/16 x 12-23/32 | | Auto Fan | | Yes |
| Net Weight | | lbs | 94.8 | | Auto Swing (Horizontal Auto Swing) | | No |
| Gross Weight | | lbs | 108.0 | | Auto Swing - 180° (Vertical Auto Swing) | | No |
| OUTDOOR UNIT | | | LIV36HP230V1R32AO | | Clock | | Yes |
| Sound Pressure Level | | dB(A) | 62 | | Dry Mode | | Yes |
| External Dimensions (L x D x H) | | in | 39-3/8 x 15-13/16 x 29-3/8 | | Dry Anti-Mildew (X-Fan) Mode | | Yes |
| Package Dimension (L x W x H) | | in | 42-33/64 x 19-1/64 x 31-57/64 | | Energy Saving Mode | | Yes |
| Net Weight | | lbs | 122.4 | | Dirty Filter Alert | | No |
| Gross Weight | | lbs | 133.4 | | Fan Speed Control (7 Speeds) | | Yes |
| REFRIGERANT PIPING | | | | | I Feel Function | | Yes |
| Refrigerant Charge - R32 | | oz | 56.4 | | Privacy Lock | | Yes |
| Additional Charge | | oz/ft | 0.4 | | Quiet Mode | | No |
| Line Set Sized by Indoor Unit (Liquid - Gas) | | in | 1/4 - 5/8 | | Room Temperature Display | | No |
| Line Set Size (Liquid - Gas) - Flared Connections | | in | 1/4 - 5/8 | | Sleep Mode | | Yes |
| Pre-Charge Length | | ft | 25 | | 3 Sleep Mode Options | | No |
| Pipe Length (Min - Max) | | ft | 10 - 131 | | Timer Mode | | Yes |
| Max. Pipe Elevation | | ft | 82 | | Turbo Mode | | Yes |
| ELECTRICAL | | | | | Display On/Off Control | | No |
| Power Supply | | | 208-230V / 1Ph / 60Hz (Powered by the Outdoor Unit) | | Freeze Guard Mode | | Yes |
| Voltage Range (Min - Max) | | VAC | 187 - 253 | | Power Failure Mode | | Yes |
| Rated Current - Cooling | | A | 20 | | | | |
| Rated Current - Heating | | A | 20 | | | | |
| MCA | | A | 23 | | | | |
| MOCP | | A | 35 | | | | |
| Suggested Breaker Size | | A | 25 | | | | |
| Main Power Wire Size | | AWG | Per Local Code | | | | |
| Interconnecting Wire Size | | AWG | 14 / 4 | | | | |

FAN PERFORMANCE



NOTE:

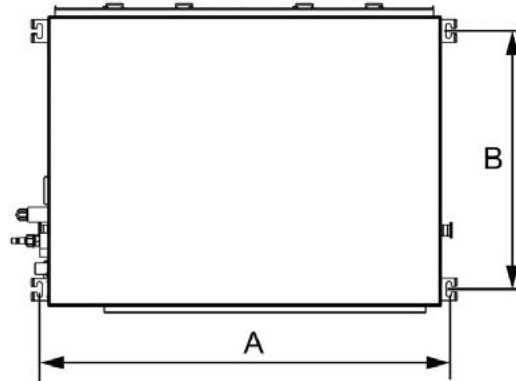
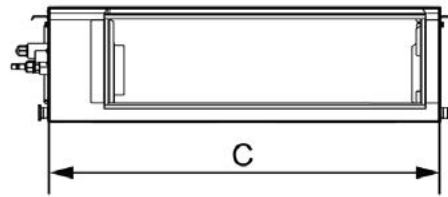
The static pressure is adjusted using the wired controller. Refer to the wired controller instruction manual for more information.

DIMENSIONS

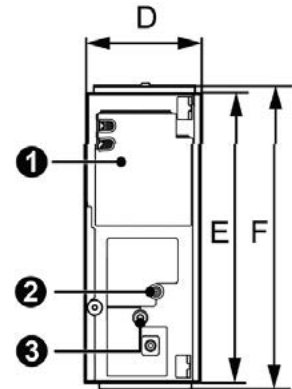
INDOOR UNIT

Unit: inch

| DUC36HP230V1R32AH | |
|-------------------|----------|
| DIMENSIONS | |
| A | 54 3/8 |
| B | 23 1/32 |
| C | 52 3/4 |
| D | 10 15/64 |
| E | 25 25/32 |
| F | 27 7/16 |



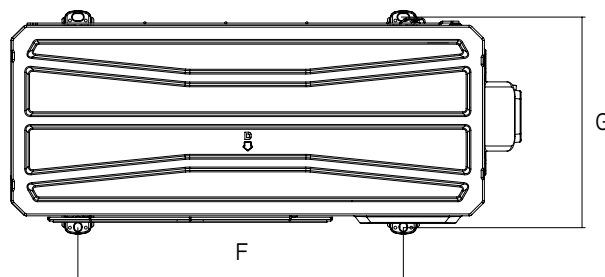
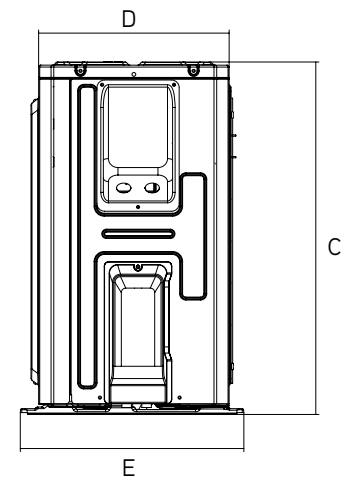
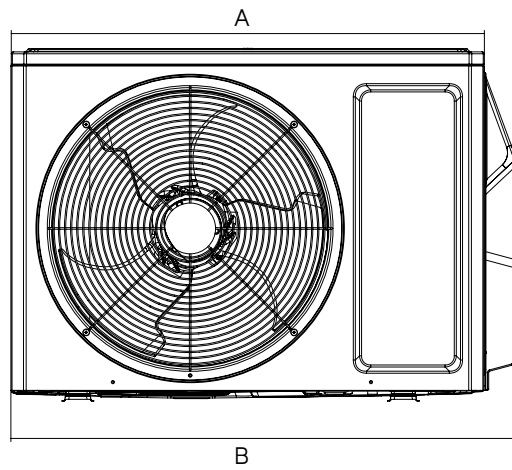
- ① Electric Box
- ② Gas pipe
- ③ Liquid pipe



OUTDOOR UNIT

Unit: inch

| LIV36HP230V1R32AO | |
|-------------------|----------|
| DIMENSIONS | |
| A | 36 11/32 |
| B | 39 3/8 |
| C | 29 3/8 |
| D | 14 17/32 |
| E | 16 13/16 |
| F | 24 1/64 |
| G | 15 35/64 |

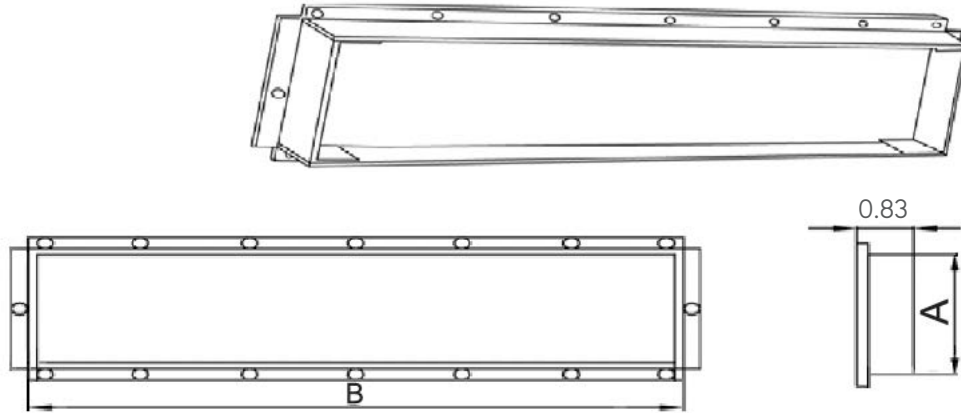


SUPPLY AND RETURN AIR OPENING DIMENSIONS

SUPPLY AIR OUTLET

Unit: inch

| DUC36HP230V1R32AH | |
|-------------------|----------|
| DIMENSIONS | |
| A | 8-30/64 |
| B | 45-25/64 |



RETURN AIR INLET

Unit: inch

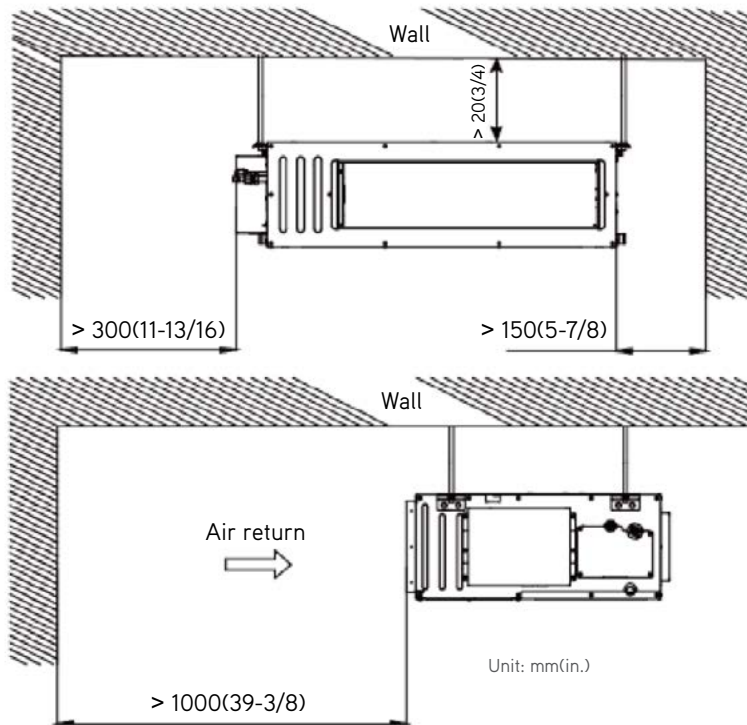
| DUC36HP230V1R32AH | |
|-------------------|----------|
| DIMENSIONS | |
| C | 46-49/64 |
| D | 8-21/32 |



CLEARANCES

INDOOR UNIT

Minimum clearance

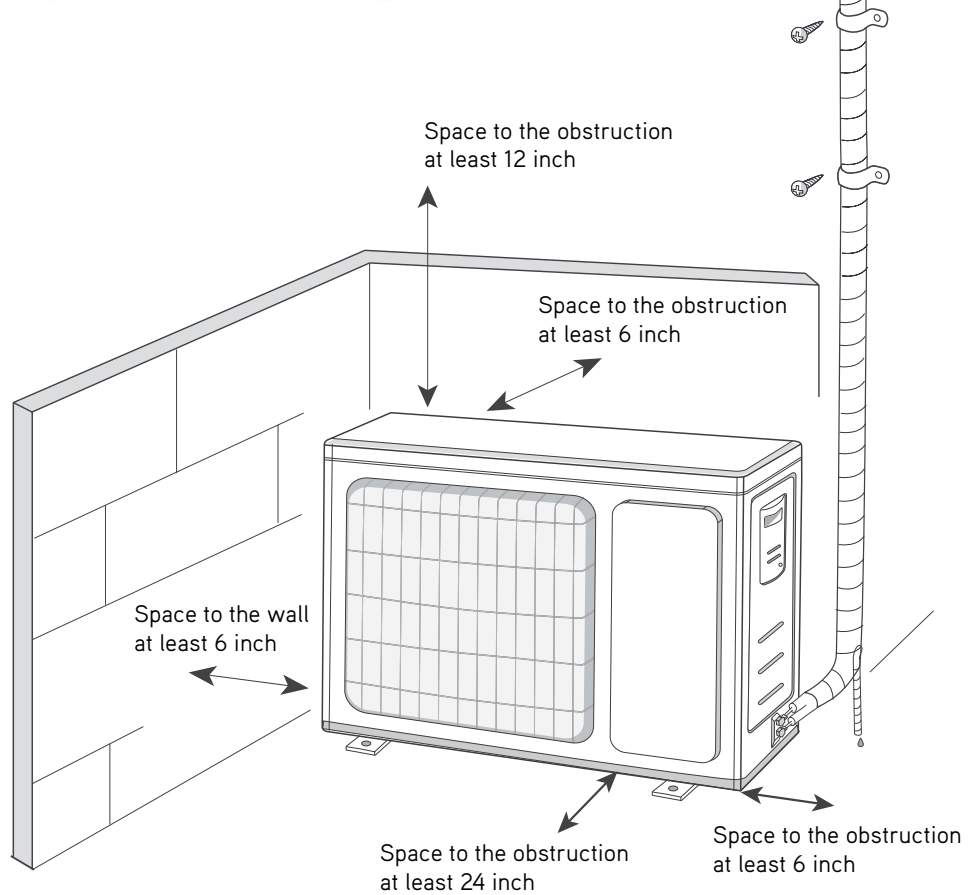


OUTDOOR UNIT

Minimum clearance

3 inch

NOTE:
If bottom of the unit is free of airflow obstructions similar to the mounting bracket figure, the clearance to the wall on the back can be reduced to 3 inches.



Specifications are subject to change without notice. Manufacturer reserves the right to discontinue or modify specifications or designs without notice or without incurring obligations. All Rights reserved.