

EXPLODED VIEW & PARTS LIST



Outdoor unit

ENV09HP230V1R32AO

ENV12HP230V1R32AO

ENV18HP230V1R32AO

ENV24HP230V1R32AO



Indoor unit

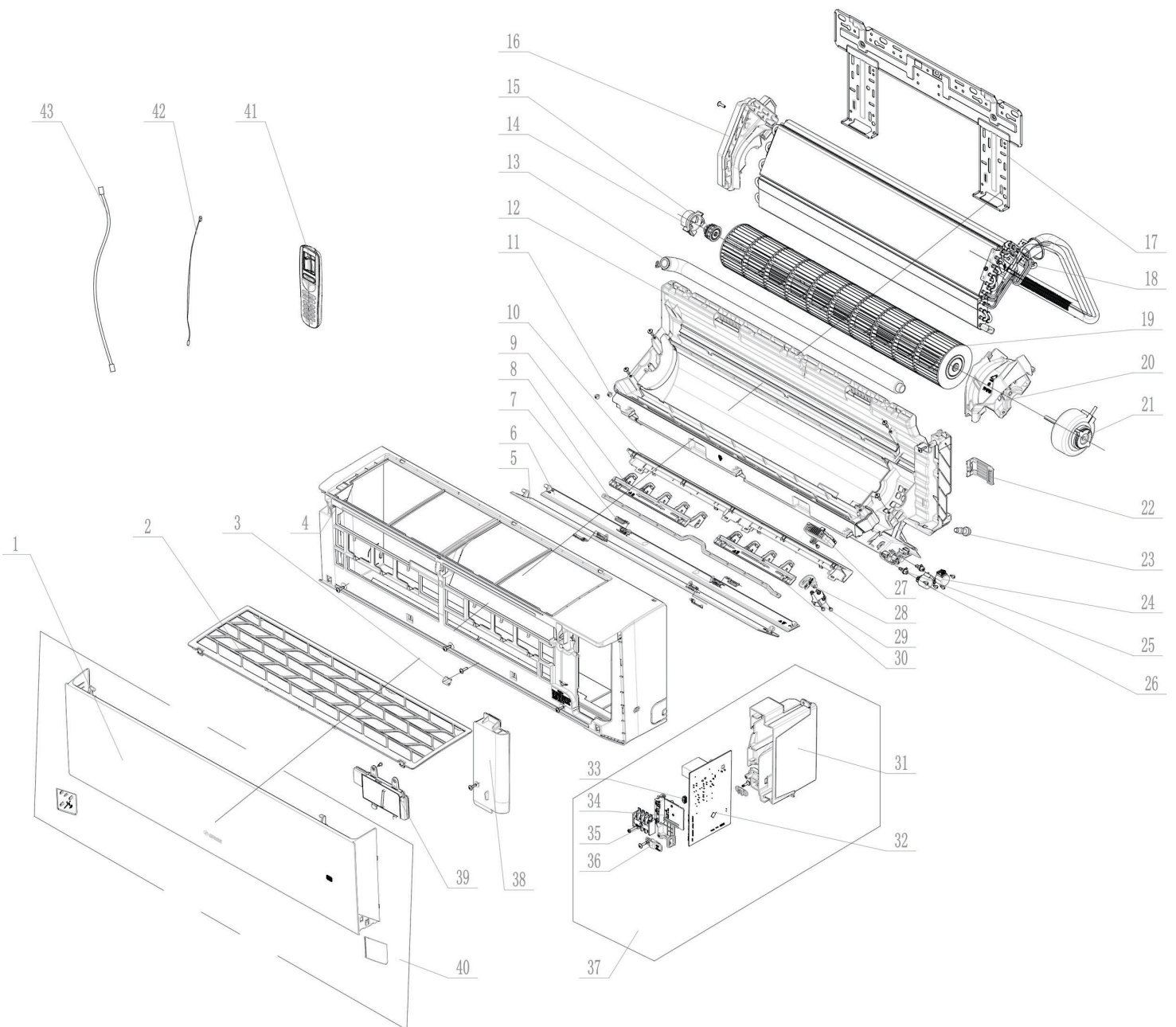
ENV09HP230V1R32AH

ENV12HP230V1R32AH

ENV18HP230V1R32AH

ENV24HP230V1R32AH

ENV09HP23OV1R32AH



ENV09HP23OV1R32AH

No.	Part Description	Qty.	Part Code
NA	Rear Case Assy	1	00000106043501
NA	Rear Case Sub-Assy	1	00037706014101
12	Rear Case	1	20000106003803
NA	Foam (Water Tray)	1	120000060288
24	Stepping Motor	1	1521210710
26	Stepping Motor	1	1521200607
25	Crank	2	200023060004
11	Axile Bush Sub-Assy	1	10542047
19	Cross Flow Fan	1	103001060004
21	Brushless DC Motor	1	15010406011702
20	Motor Press Plate	1	20002006000201
10	Helicoid Tongue	1	200006060031
30	Air Louver(right)	1	200007060065
9	Air Louver (left)	1	200007060064
8	Swing Lever	1	200035060028
28	Air Louver (Auto)	1	200007060066
29	Stepping Motor	1	1521210704
NA	Rear Grill Sub-Assy	2	209016000003
NA	Rear Grill	1	016001060083
13	Drainage Hose	1	05230014
18	Evaporator Assy	1	011001060430
16	Evaporator Support	1	200025060004
NA	Evaporator Sealer Mud 630X21X2.5(1.4)	0	76012401
37	Electric Box Assy	1	100002081569
31	Electric Box	1	200013060065
32	Main Board	1	300002063343
33	Jumper	1	4202021901
34	Supporter	1	200114060045
35	Terminal Board	1	422000000022
42	Temperature Sensor	1	3900031302
NA	Front Case Assy	1	000002060393
12	Front Case	1	200002060080

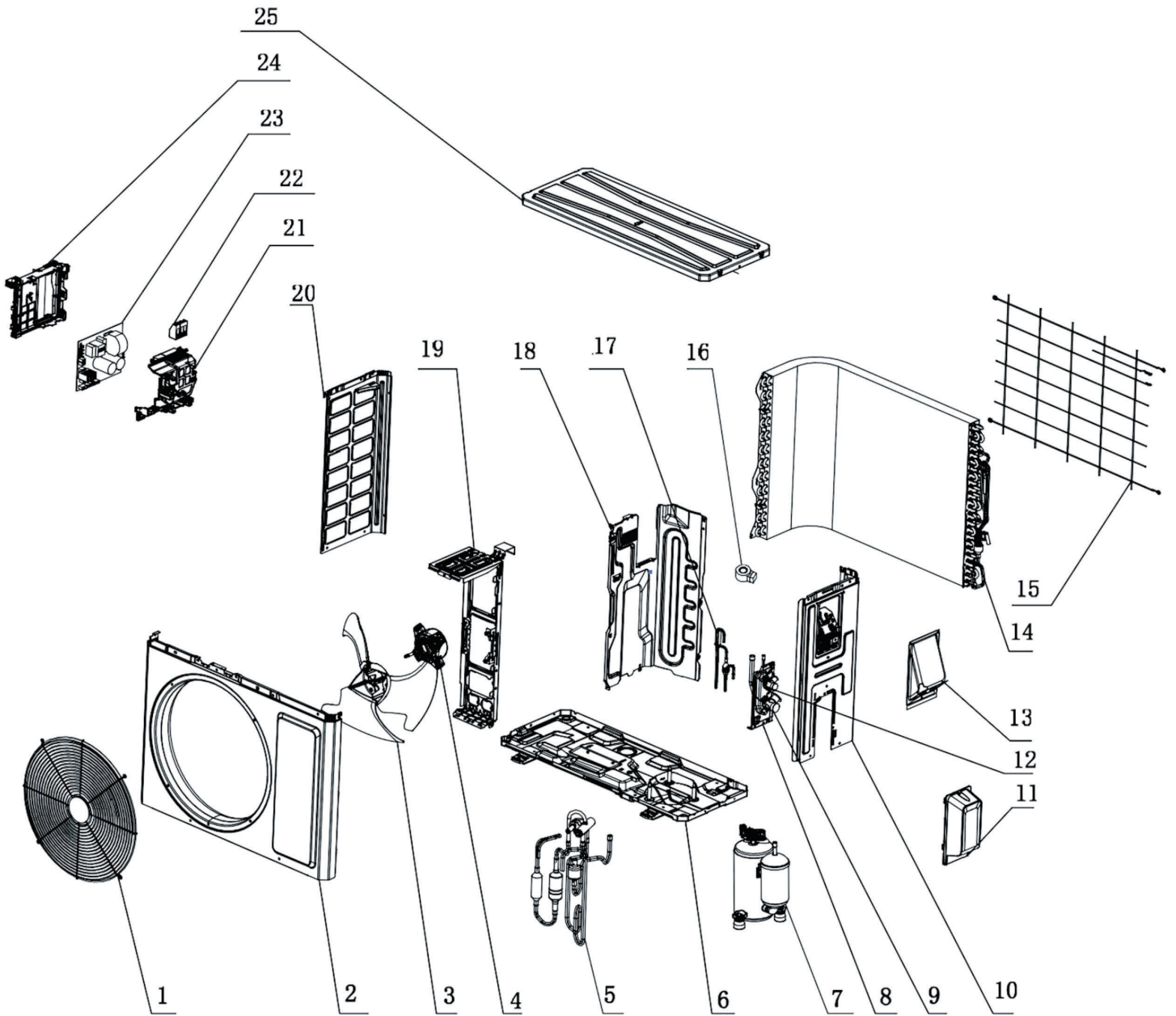


ENV09HP230V1R32AH

No.	Part Description	Qty	Part Code
2	Filter Sub-Assy	1	111001060318
3	Screw Cover	1	200005060003
NA	Guide Louver Sub-Assy	1	000136060139
5	Guide Louver (upper)	1	200004060182
7	Plug Pin	2	200033060002
NA	Guide Louver Sub-Assy	1	000136060111
6	Guide Louver (lower)	1	200004060154
7	Plug Pin	2	200033060002
40	Front Panel Assy	1	000003060752
1	Front Panel	1	200003060291T
38	Electric Box Cover	1	200082060053
17	Wall Mounting Frame Sub-Assy	1	01252484
41	Remote Controller	1	305001060204



ENV09HP230V1R32AO



[Back to main page](#)

ENV09HP230V1R32AO

No.	Part Description	Qty.	Part Code
6	Chassis Sub-Assy	1	017000060759P
NA	Electrical Heater (Chassis)	1	7651000423
7	Compressor and Fittings	1	009001060611
NA	Compressor Gasket	3	009012060032
14	Condenser Assy	1	01100206173402
NA	Sponge (Condenser)	1	12123091
NA	Strainer	1	0721302611
NA	Strainer	1	035021060015
NA	Electronic Expansion Valve	1	07133821
5	4-Way Valve Assy	1	030152060896
NA	4-Way Valve Assy	1	030152060812
NA	4-Way Valve	1	072007060013
NA	Silencer	1	07243066
NA	Silencer	1	035023000009
NA	Silencer	1	035023060016
NA	Cut off Valve Sub-Assy	1	030057060408
9	Cut-off valve 3/8(N)	1	070001060023
12	Cut-off valve 1/4(N)	1	070001060022
8	Valve Support	1	012044060022P
16	Electric Expand Valve Fitting	1	07200206002301
18	Clapboard	1	012051061151
19	Motor Support	1	01204806014001
3	Axial Flow Fan	1	103002060015
NA	Magnet Coil	1	4300040072
NA	Electric Box Assy	1	100002081624
23	Main Board	1	300027063727
22	Terminal Board	1	42200006007501
20	Left Side Plate	1	012055060395P
10	Right Side Plate	1	01205606036706P
NA	Front Panel Assy	1	000003060803
2	Cabinet	1	01202206001002P

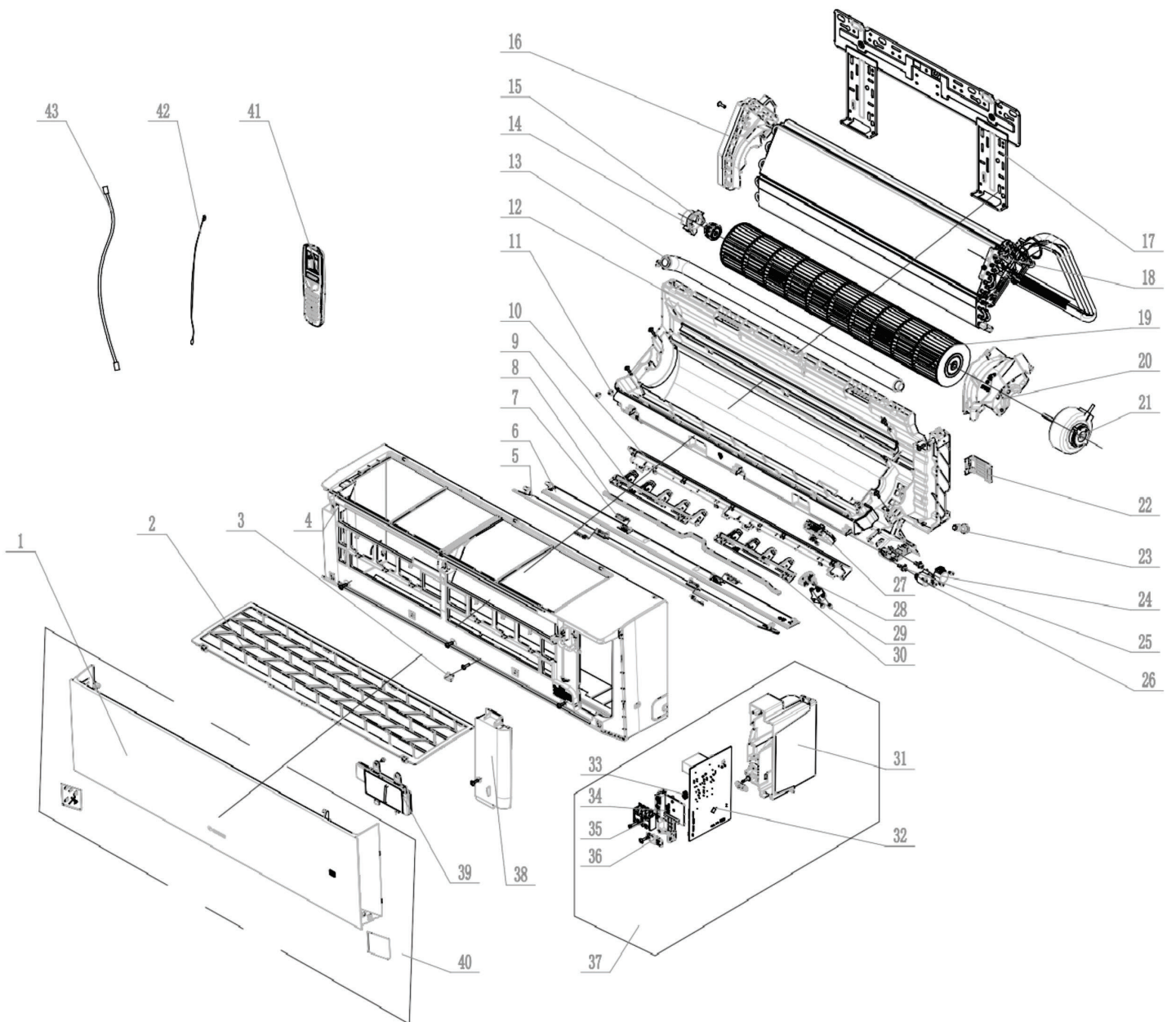


ENV09HP230V1R32AO

No.	Part Description	Qty	Part Code
25	Top Cover Assy	1	000097060355
NA	Top cover	1	012049060107P
15	Rear Grill	1	016001060082
NA	Sponge (Rear Grill)	1	12204221
13	Cable Cross Plate	1	01220906002802P
11	Valve Cover	1	200087060004
6	Chassis Sub-Assy	1	017000060759P



ENV12HP230V1R32AH



ENV12HP230V1R32AH

No.	Part Description	Qty.	Part Code
NA	Rear Case Assy	1	00000106043501
NA	Rear Case Sub-Assy	1	00037706014101
12	Rear Case	1	20000106003803
NA	Foam (Water Tray)	1	120000060288
24	Stepping Motor	1	1521210710
26	Stepping Motor	1	1521200607
25	Crank	2	200023060004
11	Axile Bush Sub-Assy	1	10542047
19	Cross Flow Fan	1	103001060004
21	Brushless DC Motor	1	15010406011702
20	Motor Press Plate	1	20002006000201
10	Helicoid Tongue	1	200006060031
30	Air Louver(right)	1	200007060065
9	Air Louver (left)	1	200007060064
8	Swing Lever	1	200035060028
28	Air Louver (Auto)	1	200007060066
29	Stepping Motor	1	1521210704
NA	Rear Grill Sub-Assy	2	209016000003
NA	Rear Grill	1	016001060083
11	Drainage Hose	1	05230014
NA	Evaporator Assy	1	01100106043001
16	Evaporator Support	1	200025060004
NA	Evaporator Sealer Mud 630X21X2.5(1.4)	0	76012401
37	Electric Box Assy	1	100002081632
31	Electric Box	1	200013060065
32	Main Board	1	300002063343
33	Jumper	1	4202021902
34	Supporter	1	200114060045
35	Terminal Board	1	422000000022
42	Temperature Sensor	1	3900031302
NA	Front Case Assy	1	000002060393

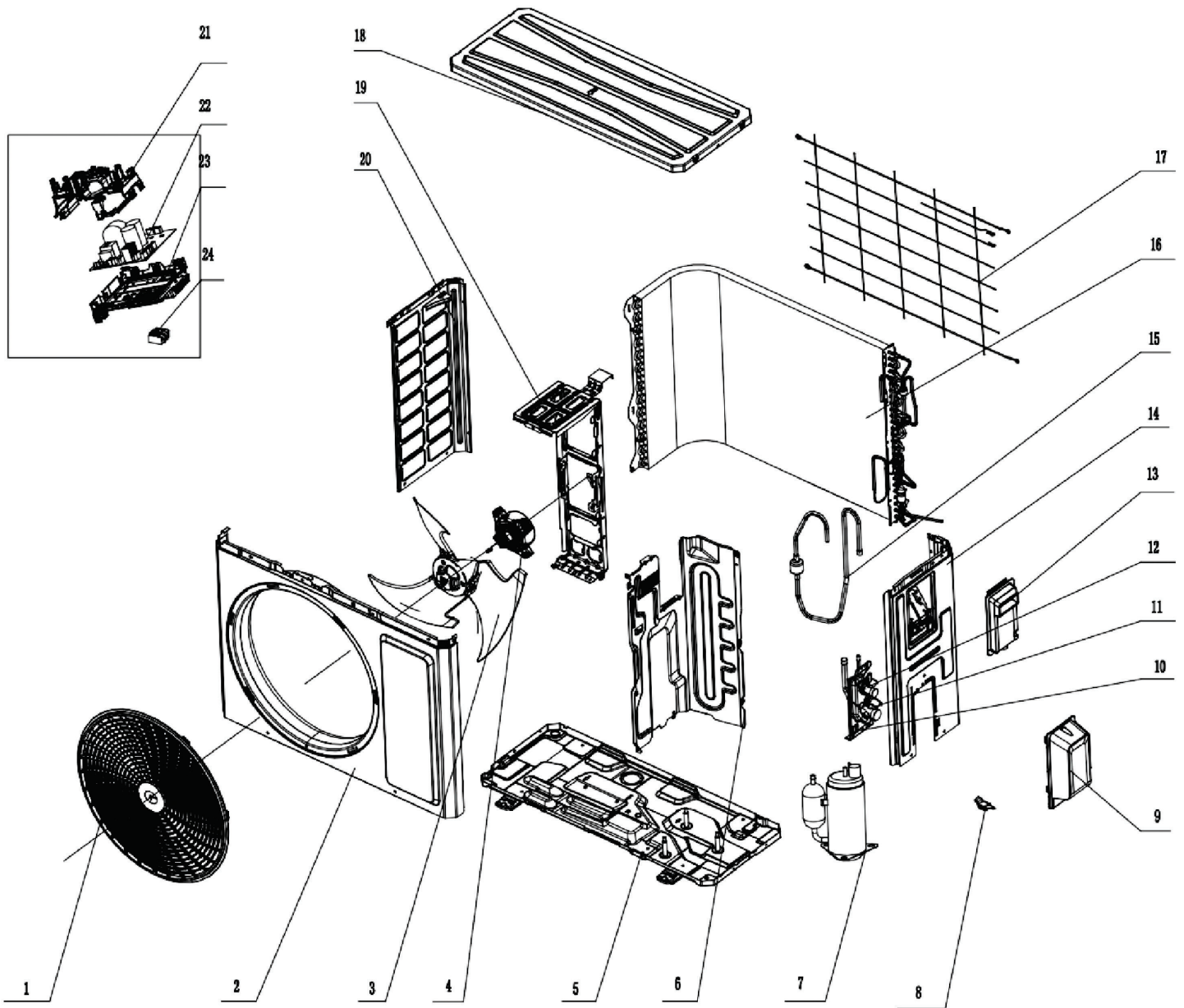


ENV12HP230V1R32AH

No.	Part Description	Qty	Part Code
NA	Front Case	1	200002060080
2	Filter Sub-Assy	1	111001060318
3	Screw Cover	1	200005060003
NA	Guide Louver Sub-Assy	1	000136060139
5	Guide Louver (upper)	1	200004060182
7	Plug Pin	2	200033060002
NA	Guide Louver Sub-Assy	1	000136060111
6	Guide Louver (lower)	1	200004060154
7	Plug Pin	2	200033060002
NA	Front Panel Assy	1	000003060752
1	Front Panel	1	200003060291T
38	Electric Box Cover	1	200082060053
18	Wall Mounting Frame Sub-Assy	1	01252484
41	Remote Controller	1	305001060204



ENV12HP230V1R32AO



[Back to main page](#)

ENV12HP230V1R32AO

No.	Part Description	Qty.	Part Code
5	Chassis Sub-Assy	1	017000060759P
NA	Electrical Heater (Chassis)	1	7651000423
7	Compressor and Fittings	1	009001061048
NA	Compressor Gasket	3	009012060035
16	Condenser Assy	1	01100206179401
NA	Current Divider	2	03413032
NA	Sponge (Condenser)	1	12123091
NA	Strainer	1	0721304401
NA	Electronic Expansion Valve DPF(T01)1.3C	1	07133821
NA	Strainer	1	0721302611
NA	4-Way Valve Assy	1	030152060972
NA	4-Way Valve Assy	1	030152060768
NA	4-Way Valve(1HP) SHF-4H-23U-P-AG	1	072007060013
NA	Silencer	1	035023060016
8	Valve Support	1	012044060022P
NA	Cut off Valve Sub-Assy	1	030057060452
11	Cut-off valve 1/2(N)	1	070001060024
12	Cut-off valve 1/4(N)	1	070001060022
NA	Sealing Cap of Joint	1	06640104
NA	Electric Expand Valve Fitting PQ-M10012	1	07200206002301
6	Clapboard	1	012051061151
NA	Motor Support	1	01204806014001
3	Axial Flow Fan	1	103002060015
NA	Magnet Coil	1	4300040072
23	Electric Box Assy	1	100002081633
22	Main Board W9022RC	1	300027063733
24	Terminal Board	1	42200006007501
20	Left Side Plate	1	012055060395P
14	Right Side Plate	1	01205606036706P
NA	Front Panel Assy	1	000003060803
2	Cabinet	1	01202206001002P
18	Top Cover Assy	1	000097060355

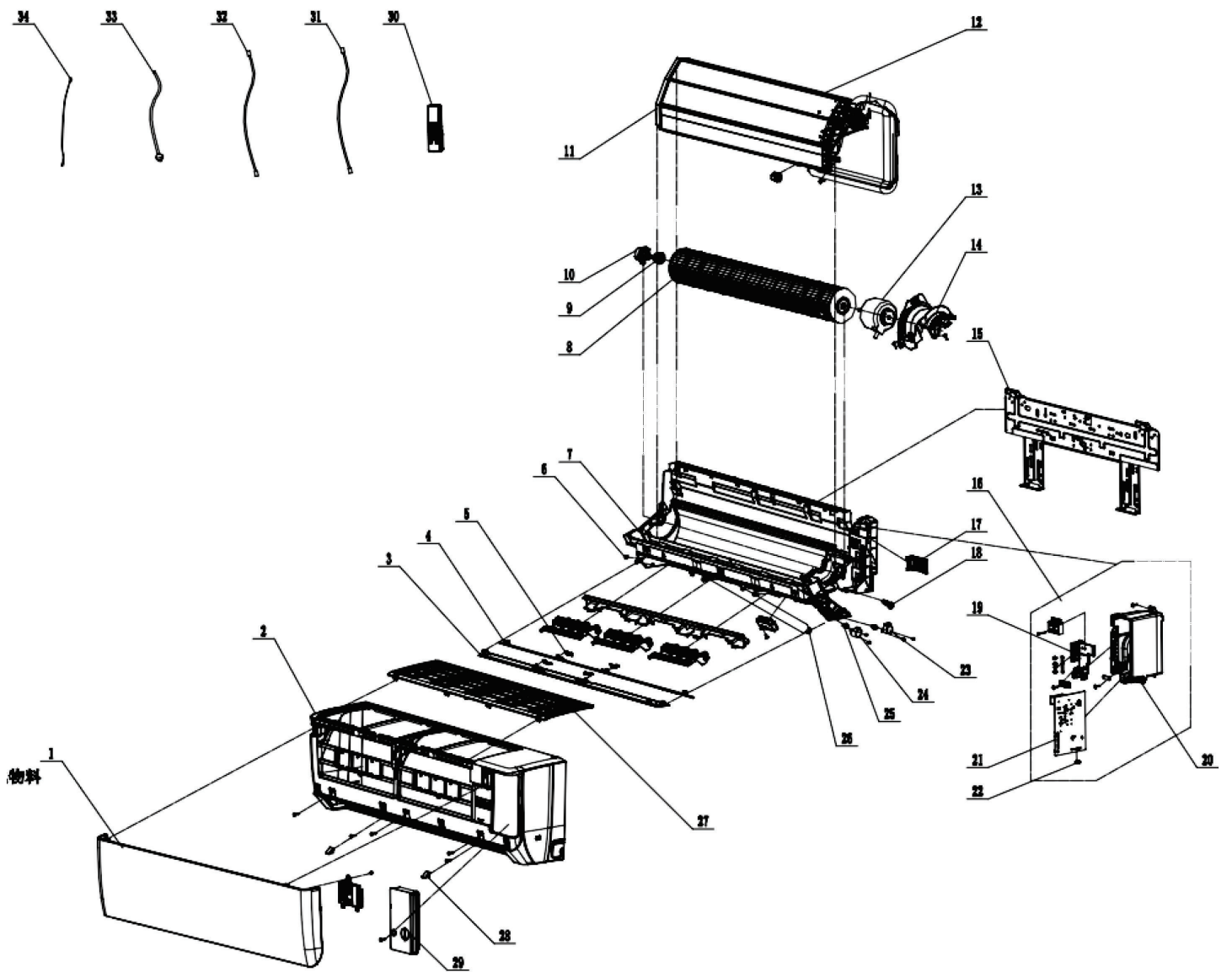


ENV12HP230V1R32AO

No.	Part Description	Qty	Part Code
NA	Top cover	1	012049060107P
17	Rear Grill	1	016001060082
NA	Sponge (Rear Grill)	1	12204221
NA	Cable Cross Plate	1	01220906002802P
9	Valve Cover	1	200087060004
NA	Drainage hole Cap	2	06813401
NA	Drainage hole Cap	2	7671301802
NA	Drainage Joint	1	26113009



ENV18HP230V1R32AH



ENV18HP230V1R32AH

No.	Part Description	Qty.	Part Code
NA	Rear Case Sub-Assy	1	00037706012501
7	Rear Case	1	20000106003302
NA	Helicoid Tongue	1	200006060008
NA	Air Louver 1 (Auto)	2	200007060051
NA	Air Louver 2	1	200007060053
NA	Air Louver	1	200007060052
24	Stepping Motor	1	1521210704
25	Crank	2	200023060004
23	Stepping Motor	1	1521200606
NA	Stepping Motor	1	1521210710
6	Axile Bush Sub-Assy	1	10542047
8	Cross Flow Fan	1	103001060017
13	Brushless DC Motor	1	15010406008802
NA	Motor Fixed Clip 2	1	26112325
14	Motor Press Plate	1	200020060007
26	Drainage Hose	1	05230014
12	Evaporator Assy	1	011001061474
11	Evaporator Support	1	200025060012
16	Electric Box Assy	1	100002081668
20	Electric Box	1	200013060061
21	Main Board	1	300002063343
22	Jumper	1	4202021920
NA	Terminal Board	1	422000000022
34	Temperature Sensor	1	3900031302
2	Front Case	1	200002060077
27	Filter Sub-Assy	1	111001060314
NA	Screw Cover	2	200005060017
4	Guide Louver Sub-Assy	1	000136060138
NA	Guide Louver (upper)	1	200004060177
5	Plug Pin	2	200033060002
3	Guide Louver Sub-Assy	1	000136060118

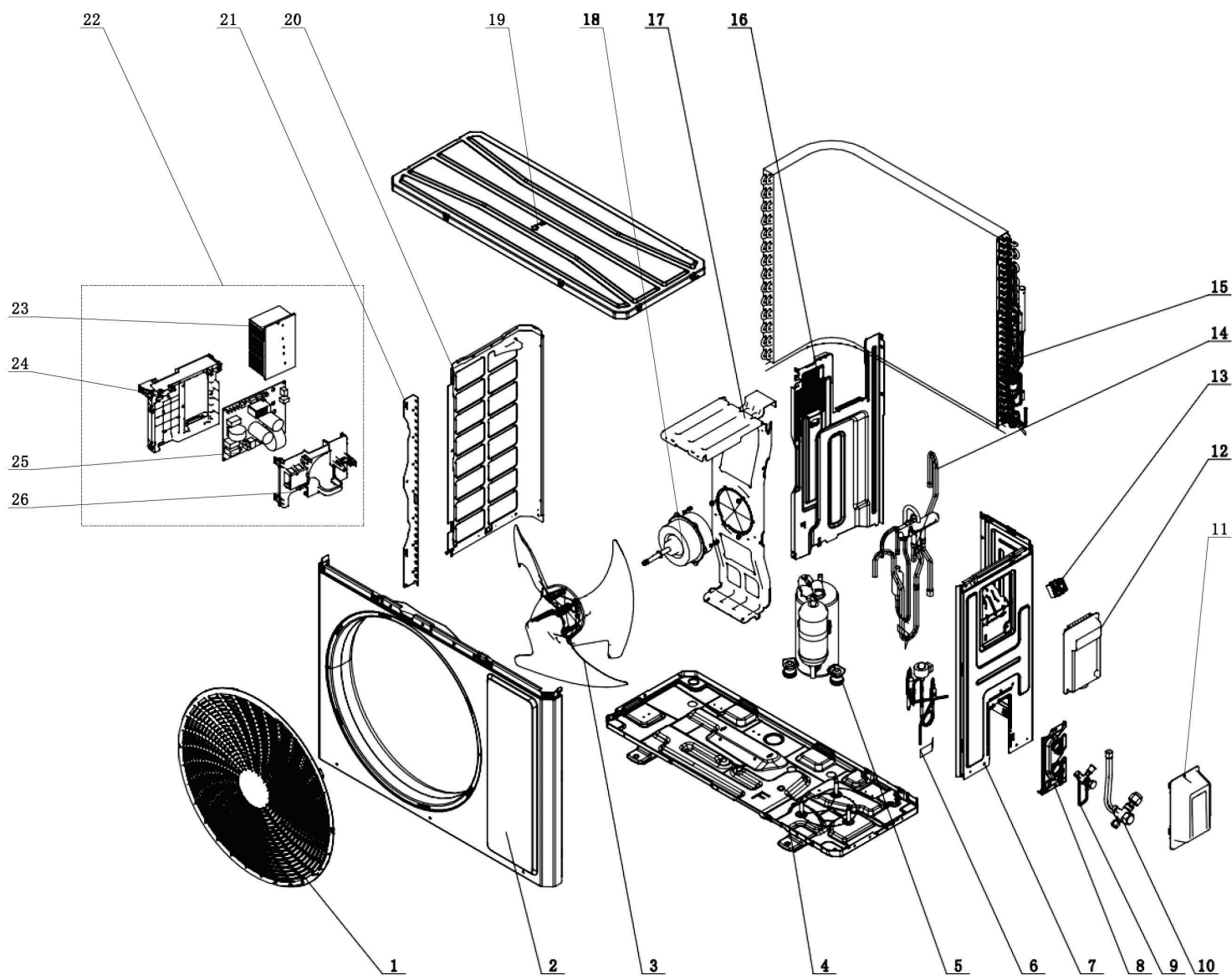


ENV18HP230V1R32AH

No.	Part Description	Qty	Part Code
NA	Guide Louver (lower)	1	200004060155
5	Plug Pin	2	200033060002
29	Electric Box Cover	1	200082060050
NA	Front Panel Assy	1	000003060739
1	Front Panel	1	200003060288T
15	Wall Mounting Frame Sub-Assy	1	012043060008
30	Remote Controller	1	305001060204



ENV18HP230V1R32AO



ENV18HP230V1R32AO

No.	Part Description	Qty.	Part Code
4	Chassis Sub-Assy	1	01700006076102P
NA	Electrical Heater	1	765100049
5	Compressor and Fittings	1	009001060783
NA	Compressor Gasket	3	009033060003
15	Condenser Assy	1	01100206198302
NA	Current Divider	2	03413032
6	Electronic Expansion Valve	1	072009000017
NA	Strainer	1	0721304401
NA	Strainer	1	035021060015
8	Valve Support	1	012044060022P
10	Cut-off valve 1/2(N)	1	070001060024
9	Cut-off valve 1/4(N)	1	070001060022
14	4-Way Valve Assy	1	030152061035
NA	4-Way Valve Assy	1	030152061034
NA	4-Way Valve	1	430004032
NA	Silencer 1	1	07243050
NA	Sealing Cap of Joint	1	06640104
NA	Damping Block 140X105X3(1.6)	1	76010070
NA	Electric Expand Valve Fitting	1	07200206002214
NA	Magnet Coil	1	4300040072
16	Clapboard Assy	1	000075060128
17	Motor Support	1	012048060145
3	Axial Flow Fan	1	10335262
20	Left Side Plate	1	012055060393P
22	Electric Box Assy	1	100002081646
24	Electric Box	1	20001306008501
23	Radiator	1	43003406011601
25	Main Board	1	300027063750
NA	Relay	2	44020452
NA	Relay	1	441001060031
26	Electric Box Cover	1	20008206006801
13	Terminal Board	1	42200006007501
NA	Temperature Sensor	1	39000106006901

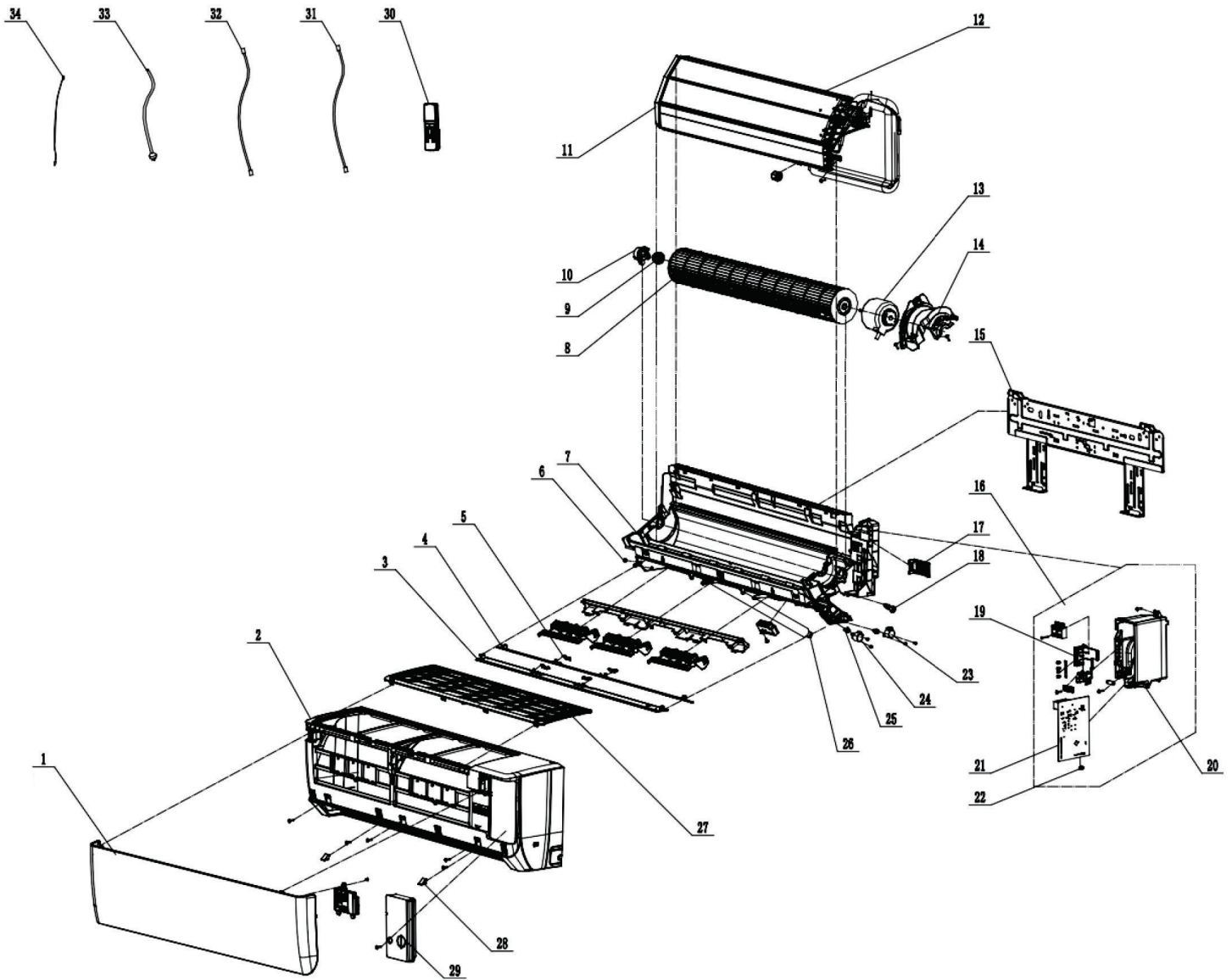


ENV18HP230V1R32AO

No.	Part Description	Qty	Part Code
NA	Right Side Plate Assy	1	000081060389
7	Right Side Plate	1	01205606037704P
NA	Earthing	1	012002060014
NA	Wire Clamp	1	200015060023
NA	Front Panel Assy	1	00000306054301
2	Front Panel	1	01207306161101P02
NA	Rear Grill	1	016001060088
NA	Sponge (Rear Grill)	2	12204221
19	Top Cover Assy	1	00009706033302
NA	Coping	1	012049060117P
NA	Sponge	1	11000006809701
12	Handle	1	01221006000701P
NA	Handle	1	01221006000701
11	Valve Cover	1	20008706000503
NA	Drainage hole Cap	4	06813401
NA	Drainage hole Cap	1	7671301802
NA	Drainage Joint	1	26113009



ENV24HP230V1R32AH



ENV24HP230V1R32AH

No.	Part Description	Qty.	Part Code
NA	Rear Case Sub-Assy	1	00037706012501
7	Rear Case	1	20000106003302
NA	Helicoid Tongue	1	200006060008
NA	Air Louver 1 (Auto)	2	200007060051
NA	Air Louver 2	1	200007060053
NA	Air Louver	1	200007060052
NA	Stepping Motor	1	1521210704
25	Crank	2	200023060004
23	Stepping Motor	1	1521200606
24	Stepping Motor	1	1521210710
6	Axile Bush Sub-Assy	1	10542047
8	Cross Flow Fan	1	103001060017
13	Brushless DC Motor	1	15010406008802
NA	Motor Fixed Clip 2	1	26112325
14	Motor Press Plate	1	200020060007
26	Drainage Hose	1	05230014
12	Evaporator Assy	1	011001060869
11	Evaporator Support	1	200025060012
16	Electric Box Assy	1	100002081794
20	Electric Box	1	200013060061
21	Main Board	1	300002063343
22	Jumper	1	4202021921
NA	Terminal Board	1	422000000022
34	Temperature Sensor	1	3900031302
2	Front Case	1	200002060077
27	Filter Sub-Assy	1	111001060314
NA	Screw Cover	2	200005060017
4	Guide Louver Sub-Assy	1	000136060138
NA	Guide Louver (upper)	1	200004060177
5	Plug Pin	2	200033060002
3	Guide Louver Sub-Assy	1	000136060118
NA	Guide Louver (lower)	1	200004060155
5	Plug Pin	2	200033060002

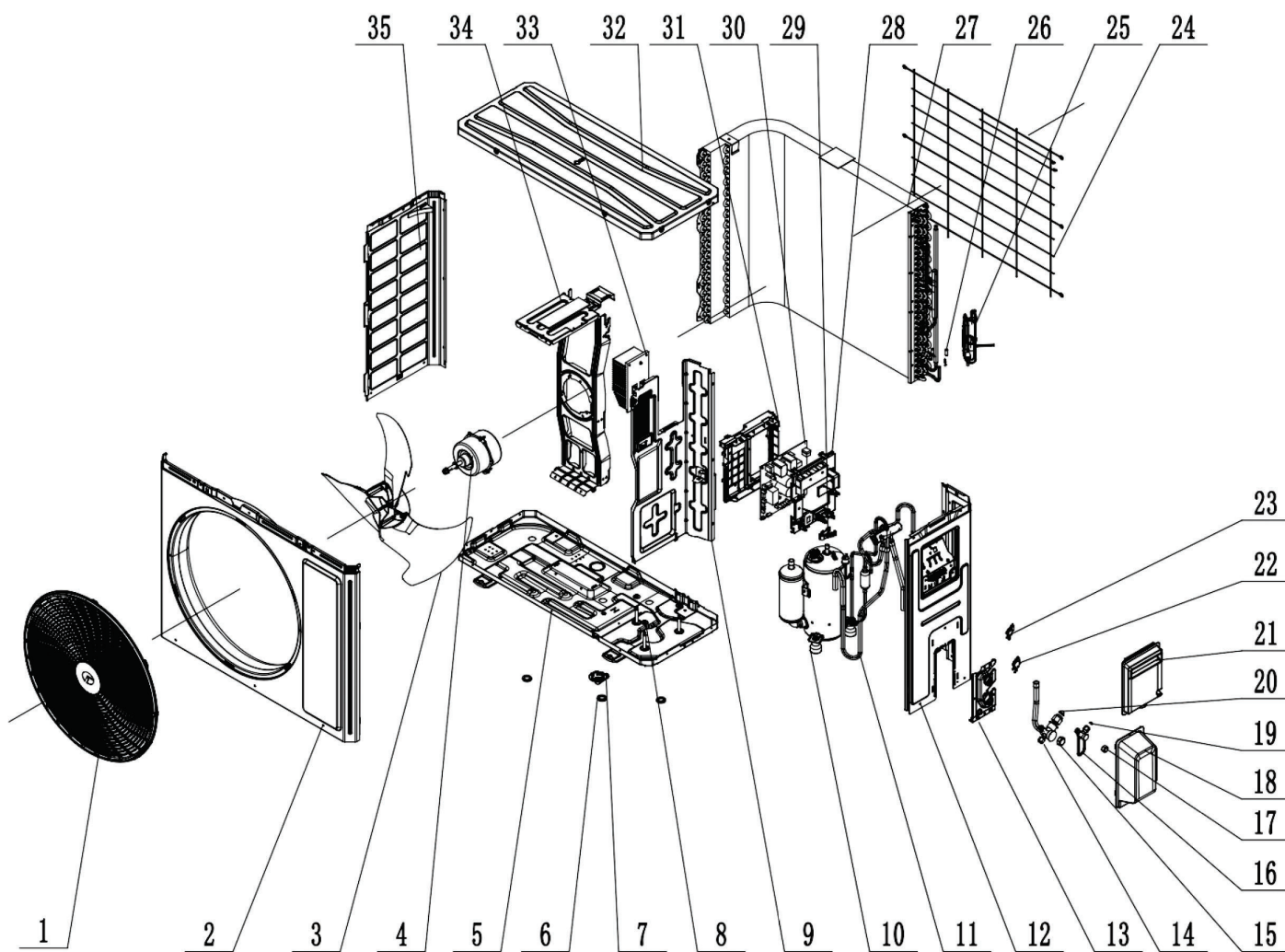


ENV24HP230V1R32AH

No.	Part Description	Qty	Part Code
29	Electric Box Cover	1	200082060050
NA	Front Panel Assy	1	000003060739
1	Front Panel	1	200003060288T
15	Wall Mounting Frame Sub-Assy	1	012043060008
30	Remote Controller	1	305001060204



ENV24HP230V1R32AO



ENV24HP2301R32AO

No.	Part Description	Qty.	Part Code
5	Chassis Sub-Assy	1	01700006071115P
NA	Chassis	1	01200806012607
NA	Electrical Heater	1	765100049
10	Compressor and Fittings	1	009001061004
NA	Compressor Gasket	3	009033060003
27	Condenser Assy	1	01100206192502
11	4-Way Valve Assy	1	030152061522
NA	4-Way Valve	1	430004032
NA	Silencer 1	1	07243050
16	Cut-off valve 1/4(N)	1	070001060027
13	Valve Support	1	012044060031P
14	Cut-off valve 5/8(N)	1	070001060032
NA	Electronic Expansion Valve	1	072009000017
NA	Strainer	1	07225088
NA	Strainer	1	0721304401
NA	Electric Expand Valve Fitting	1	07200206002213
NA	4 Way Valve Coil	1	43000400123
9	Clapboard Assy	1	000075060173
3	Axial Flow Fan	1	103002060027
35	Left Side Plate	1	012055060389P
NA	Electric Box Assy	1	100002081666
31	Electric Box	1	20001306010201
33	Radiator	1	430034060150
30	Main Board	1	300027063743
NA	Relay	1	441001060032
28	Electric Box Cover	1	20008206007701
NA	Terminal Board	1	42200006007501
12	Right Side Plate Assy	1	000081060373
NA	Right Side Plate	1	01205606043702P
NA	Heat Insulator	1	12128748
NA	Front Panel Assy	1	00000306073801



ENV24HP230V1R32AO

No.	Part Description	Qty	Part Code
1	Front Grill	1	016004060018
2	Cabinet	1	01202206001901P02
32	Top Cover Sub-Assy	1	000051060149
NA	Top cover	1	012049060137P
21	Handle	1	01221006000601
18	Valve Cover	1	20008706000804
24	Rear Grill	1	016001060087
7	Drainage Joint	1	26113009
6	Drainage hole Cap	3	06813401

