





## SUBMITTAL DATA

ENV12HP230V1R32AH / ENV12HP230V1R32AO  
12000 BTU/H Wall Mounted Heat Pump System

Job Name	Location	Date
Purchaser	Engineer	
Submitted to	For	
Unit Designation	Schedule No.	

			
YBE1FBF	ENV12HP230V1R32AH	ENV12HP230V1R32AO	XE71 (Optional)

## GENERAL FEATURES

- AHRI Certificate: [214779344](#)
- High Efficiency DC Inverter Technology
- Compact and Quiet Design
- Auto-Clean Function on Indoor Unit
- Swing Louver Control
- Self-diagnosis
- New R32 Refrigerant
- Wi-Fi Included (Factory Installed)
- Wireless Remote with LCD Display
- Wired Controller Options
- Low Ambient Cooling down to -20°F (Range -20°F to 122°F)
- Low Ambient Heating down to -22°F (Range -22°F to 86°F)
- Coil (Indoor and Outdoor) Copper Tube / Aluminum Fin
- Blue Colored Fin - 500 Hrs Salt Spray Tested
- Fresh Air Kit - TL204000100 is offered as an accessory, needs to be ordered separately.

## SPECIFICATIONS, FEATURES & FUNCTION SUMMARY

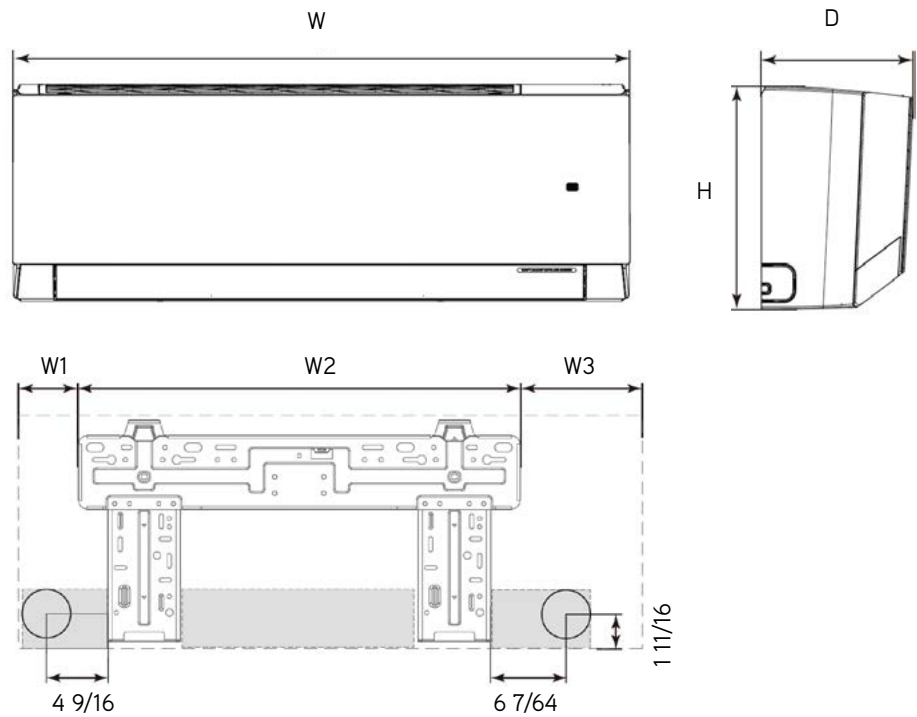
SPECIFICATIONS		ENV12HP230V1R32AH / ENV12HP230V1R32AO		FEATURES & FUNCTIONS SUMMARY		ENV12HP230V1R32AH / ENV12HP230V1R32AO	
System Type		HEAT PUMP					
<b>SYSTEM PERFORMANCE</b>							
Cooling	Min - Max	Btu/h	2730 - 15012				
	Capacity @95°F	Btu/h	12000				
Heating	Min - Max	Btu/h	3071 - 15695				
	Capacity @47°F	Btu/h	12000				
	Capacity @17°F	Btu/h	7700				
	Capacity Max @5°F	Btu/h	11000				
SEER2		24.5					
EER2		13.0					
HSPF2		9.5					
COP @5°F		2.9					
COP @47°F		3.8					
Cooling Temperature Range		°F	-20 - 122				
Heating Temperature Range		°F	-22 - 86				
Refrigerant Type		R32					
<b>INDOOR UNIT</b>				<b>ENV12HP230V1R32AH</b>			
Air flow (Min-Max)		CFM	212 - 400				
Sound Pressure Level (Min - Max)		dB(A)	20 - 43				
Dehumidification		pt/hr	2.96				
External Dimensions (WxHxD)		in	32 61/64 × 11 17/32 × 7 7/8				
Package Dimension (W x H x D)		in	35 18/64 × 14 44/64 × 10 45/64				
Net Weight		lbs	20.9				
Gross Weight		lbs	25.4				
<b>OUTDOOR UNIT</b>				<b>ENV12HP230V1R32AO</b>			
Compressor Type		Rotary					
Sound Pressure Level		dB(A)	52				
External Dimensions (WxHxD)		in	31 37/64 × 21 27/32 × 13 25/32				
Package Dimension (W x H x D)		in	34 21/64 × 24 13/32 × 15 43/64				
Net Weight		lbs	70.6				
Gross Weight		lbs	76.1				
<b>REFRIGERANT PIPING</b>							
Refrigerant Charge		oz	28.2				
Additional Charge		oz/ft	0.2				
Line Set Size (Liquid - Gas) - Flared Connections		in	1/4 - 1/2				
Pre-Charge Length		ft	25				
Pipe Length (Min - Max)		ft	10 - 66				
Max. Pipe Elevation		ft	40				
<b>ELECTRICAL</b>							
Power Supply		208-230V / 1Ph / 60Hz (Powered by the Outdoor Unit)					
Voltage Range (Min - Max)		VAC	6.64				
Rated Current - Cooling		A	6.41				
Rated Current - Heating		A	10				
MCA		A	15				
MOCP		A	10				
Suggested Breaker Size		A	10				
Main Power Wire Size		AWG	Per Local Code				
Interconnecting Wire Size		AWG	14 / 4				
<b>SYSTEM FEATURES</b>							
Inverter Type		G10					
Ultra Low Frequency Torque Control		Yes					
Power Factor Correction		Yes					
Compressor Type - Inverter		High Efficiency Rotary					
Basepan With Electric Heater		Yes					
Indoor & Outdoor Fin Coating (Blue Fin)		Yes					
Intelligent Defrosting		Yes					
Intelligent Preheating		Yes					
Low Voltage Startup		Yes					
Memory/Power Failure Recovery		Yes					
Self Diagnosis		Yes					
Wired Controller Interface (XE71 or XK76 optional)		Yes					
WiFi Included		Yes					
NEW! Easy Service Access		Yes					
Indoor Fan Type		Crossflow					
Multi Fan Speeds		7 Speeds					
Indoor Unit Display		Yes					
Auxiliary Electrical Heater		No					
Ventilation (Outdoor Air)		No					
<b>REMOTE CONTROLLER FUNCTIONS</b>							
Humidity Control		Yes					
Two-way Ventilation		Yes					
Auto Clean		Yes					
Auto Mode		Yes					
Auto Fan		Yes					
Auto Swing (Horizontal Auto Swing)		Yes					
Auto Swing - 180° (Vertical Auto Swing)		Yes					
Clock		Yes					
Dry Mode		Yes					
Dry Anti-Mildew (X-Fan) Mode		Yes					
Energy Saving Mode		Yes					
Dirty Filter Alert		Yes					
Fan Speed Control (7 Speeds)		Yes					
I Feel Function		Yes					
Child Lock		Yes					
Quiet Mode		Yes					
Room Temperature Display		No					
Sleep Mode		Yes					
3 Sleep Mode Options		Yes					
Timer Mode		Yes					
Turbo Mode		Yes					
Display On/Off Control		Yes					
Freeze Guard Mode		Yes					
Power Failure Mode		Yes					

## DIMENSIONS

### INDOOR UNIT

Unit: inch

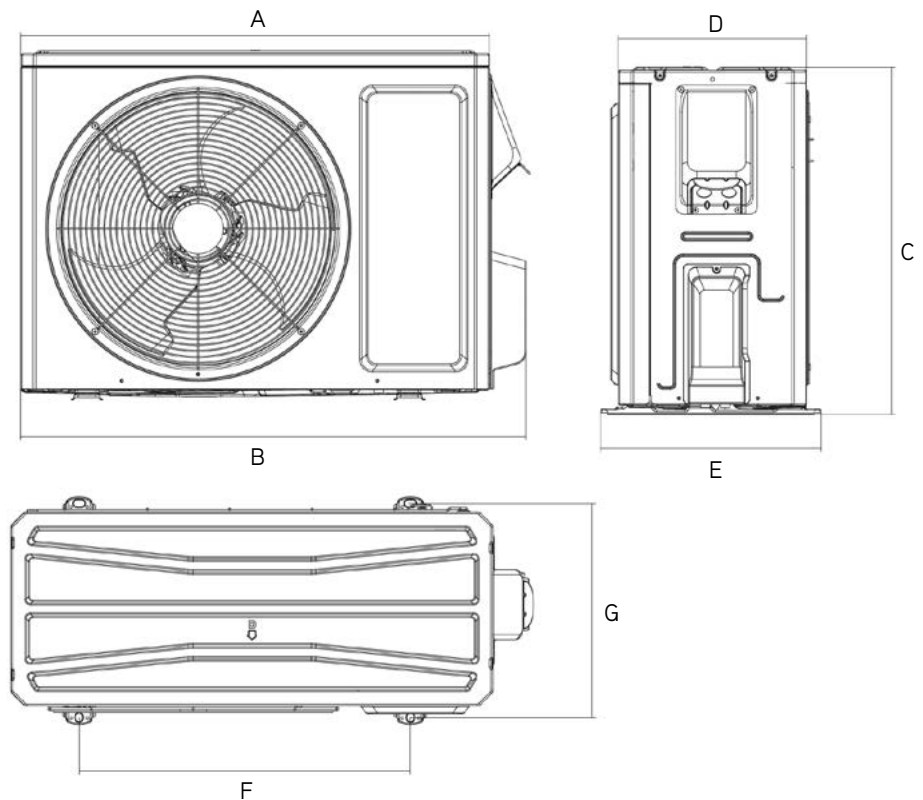
ENV12HP230V1R32AH	
DIMENSIONS	
W	32 61/64
H	11 17/32
D	7 7/8
W1	4 11/16
W2	21 11/32
W3	6 59/64



### OUTDOOR UNIT

Unit: inch

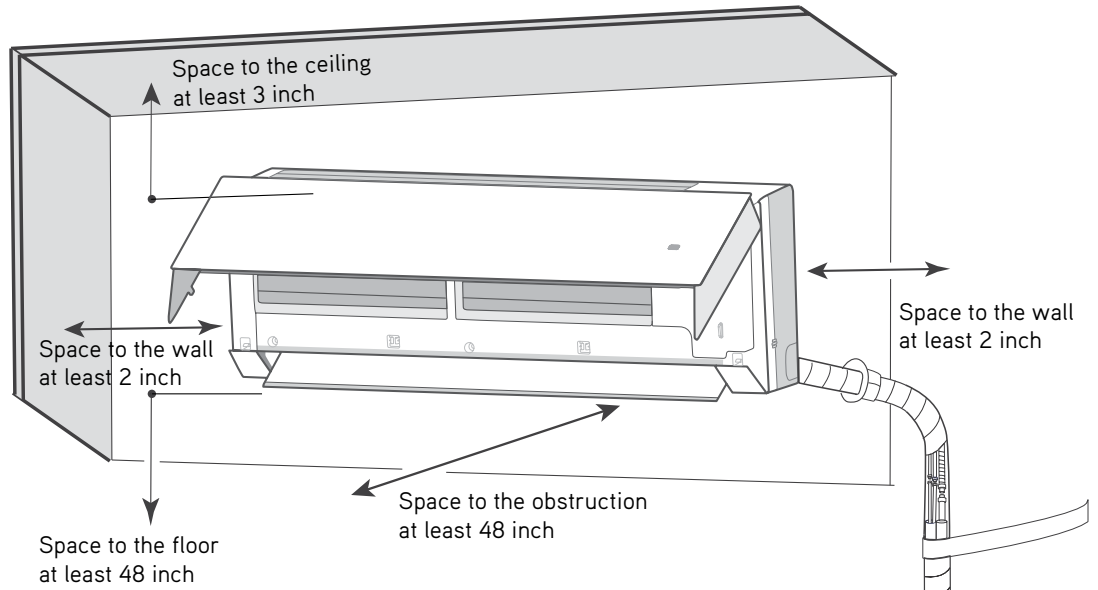
ENV12HP230V1R32AO	
DIMENSIONS	
A	29 21/64
B	31 37/64
C	21 27/32
D	11 13/16
E	13 25/32
F	20 5/32
G	13 5/64



# CLEARANCES

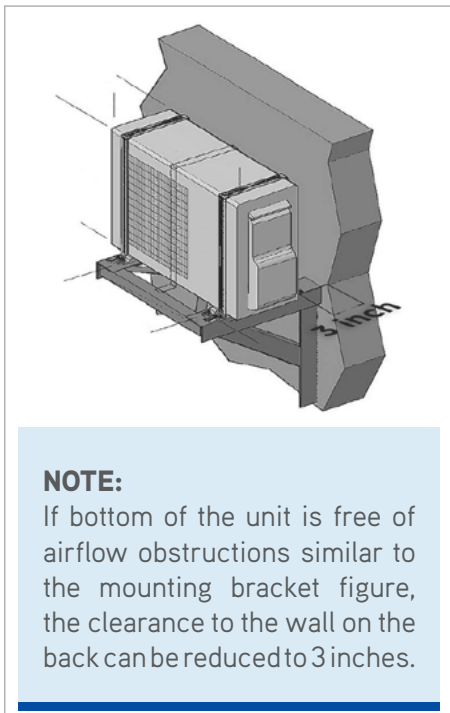
## INDOOR UNIT

Minimum clearance



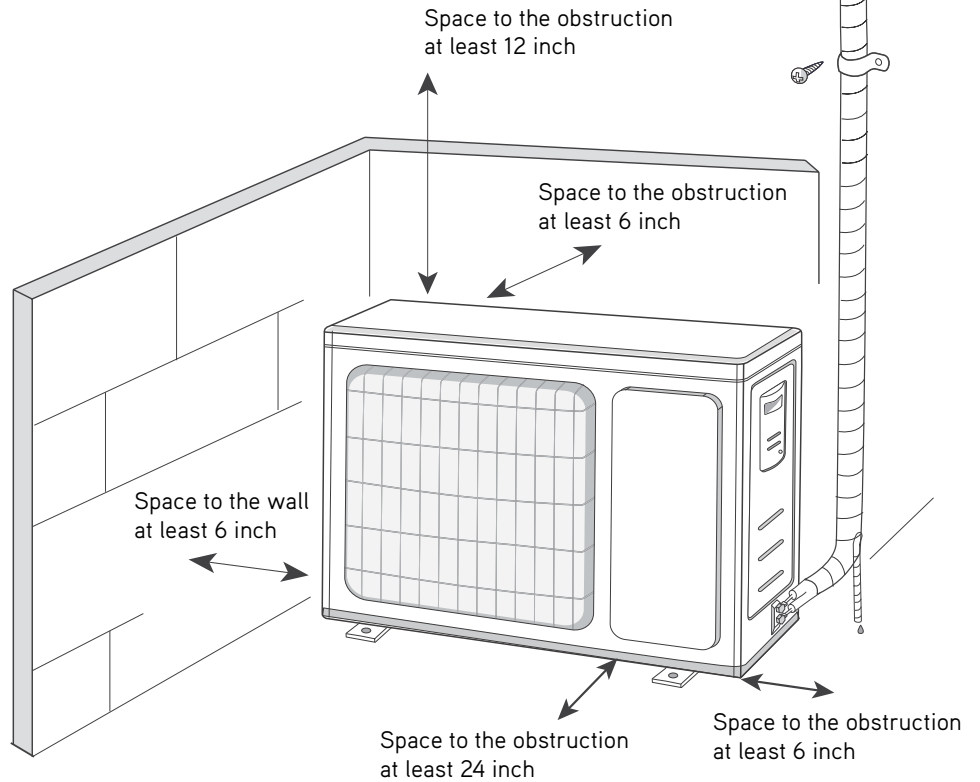
## OUTDOOR UNIT

Minimum clearance



**NOTE:**

If bottom of the unit is free of airflow obstructions similar to the mounting bracket figure, the clearance to the wall on the back can be reduced to 3 inches.



Specifications are subject to change without notice. Manufacturer reserves the right to discontinue or modify specifications or designs without notice or without incurring obligations. All Rights reserved.

[GRECOMFORT.COM/SYSTEM-DOCUMENTATION](http://GRECOMFORT.COM/SYSTEM-DOCUMENTATION)