





SUBMITTAL DATA

ENV18HP230V1R32AH / ENV18HP230V1R32AO
18000 BTU/H Wall Mounted Heat Pump System

Job Name		Location		Date	
Purchaser		Engineer			
Submitted to		For			
Unit Designation		Schedule No.			

			
YBE1FBF	ENV18HP230V1R32AH	ENV18HP230V1R32AO	XE71 (Optional)

GENERAL FEATURES

- AHRI Certificate: [214777850](#)
- High Efficiency DC Inverter Technology
- Compact and Quiet Design
- Auto-Clean Function on Indoor Unit
- Swing Louver Control
- Self-diagnosis
- New R32 Refrigerant
- Wi-Fi Included (Factory Installed)
- Wireless Remote with LCD Display
- Wired Controller Options
- Low Ambient Cooling down to -20°F (Range -20°F to 122°F)
- Low Ambient Heating down to -22°F (Range -22°F to 86°F)
- Coil (Indoor and Outdoor) Copper Tube / Aluminum Fin
- Blue Colored Fin - 500 Hrs Salt Spray Tested
- Fresh Air Kit - TL204000100 is offered as an accessory, needs to be ordered separately.

SPECIFICATIONS, FEATURES & FUNCTION SUMMARY

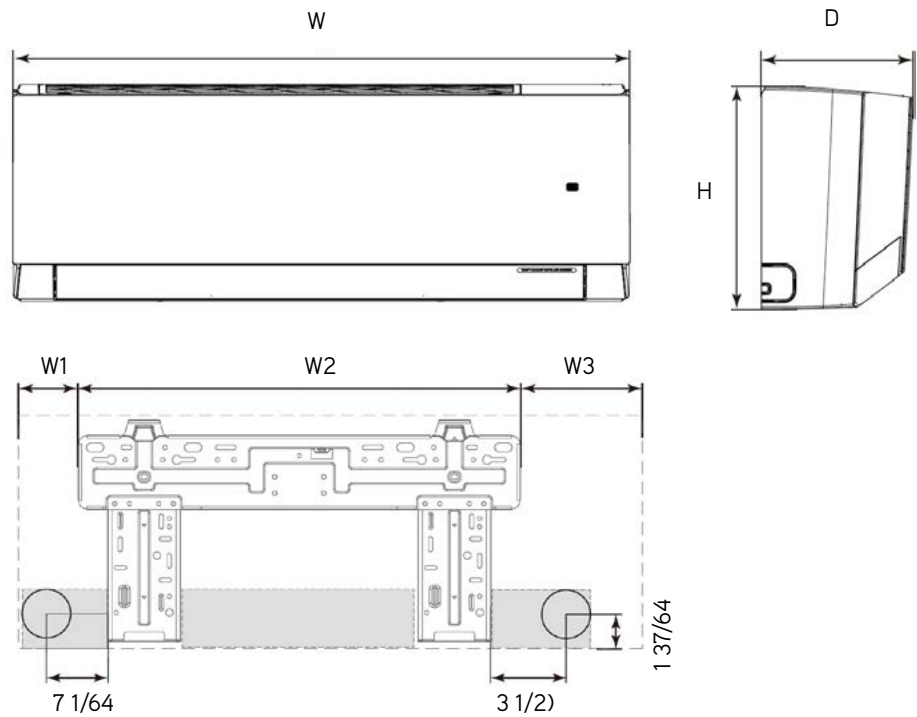
SPECIFICATIONS		ENV18HP230V1R32AH / ENV18HP230V1R32AO		FEATURES & FUNCTIONS SUMMARY		ENV18HP230V1R32AH / ENV18HP230V1R32AO	
System Type		HEAT PUMP					
SYSTEM PERFORMANCE							
Cooling	Min - Max	Btu/h	5118 - 22178				
	Capacity @95°F	Btu/h	18000				
Heating	Min - Max	Btu/h	4436 - 22178				
	Capacity @47°F	Btu/h	18000				
	Capacity @17°F	Btu/h	10300				
	Capacity Max @5°F	Btu/h	14600				
SEER2		24.5					
EER2		13.0					
HSPF2		9.0					
COP @5°F		1.9					
COP @47°F		3.9					
Cooling Temperature Range		°F	-20 - 122				
Heating Temperature Range		°F	-22 - 86				
Refrigerant Type		R32					
INDOOR UNIT				ENV18HP230V1R32AH			
Air flow (Min-Max)		CFM	159 - 353				
Sound Pressure Level (Min - Max)		dB(A)	25 - 40				
Dehumidification		pt/hr	1.69				
External Dimensions (WxHxD)		in	32-1/2 × 11-9/16 × 7-3/4				
Package Dimension (W x H x D)		in	34-7/16 × 14-3/8 × 10-9/16				
Net Weight		lbs	20.9				
Gross Weight		lbs	25.4				
OUTDOOR UNIT				ENV18HP230V1R32AO			
Compressor Type		Rotary					
Sound Pressure Level		dB(A)	59				
External Dimensions (WxHxD)		in	37 23/32 × 25 63/64 × 15 53/64				
Package Dimension (W x H x D)		in	40 5/8 × 29 1/64 × 17 61/64				
Net Weight		lbs	94.8				
Gross Weight		lbs	104.7				
REFRIGERANT PIPING							
Refrigerant Charge		oz	40.6				
Additional Charge		oz/ft	0.2				
Line Set Size (Liquid - Gas) - Flared Connections		in	1/4 - 1/2				
Pre-Charge Length		ft	25				
Pipe Length (Min - Max)		ft	10 - 131				
Max. Pipe Elevation		ft	82				
ELECTRICAL							
Power Supply		208-230V / 1Ph / 60Hz (Powered by the Outdoor Unit)					
Voltage Range (Min - Max)		VAC	187 - 253				
Rated Current - Cooling		A	11.5				
Rated Current - Heating		A	11.5				
MCA		A	16				
MOCP		A	20				
Suggested Breaker Size		A	20				
Main Power Wire Size		AWG	Per Local Code				
Interconnecting Wire Size		AWG	14 / 4				
SYSTEM FEATURES							
Inverter Type		G10					
Ultra Low Frequency Torque Control		Yes					
Power Factor Correction		Yes					
Compressor Type - Inverter		High Efficiency Rotary					
Basepan With Electric Heater		Yes					
Indoor & Outdoor Fin Coating (Blue Fin)		Yes					
Intelligent Defrosting		Yes					
Intelligent Preheating		Yes					
Low Voltage Startup		Yes					
Memory/Power Failure Recovery		Yes					
Self Diagnosis		Yes					
Wired Controller Interface (XE71 or XK76 optional)		Yes					
WiFi Included		Yes					
NEW! Easy Service Access		Yes					
Indoor Fan Type		Crossflow					
Multi Fan Speeds		7 Speeds					
Indoor Unit Display		Yes					
Auxiliary Electrical Heater		No					
Ventilation (Outdoor Air)		No					
REMOTE CONTROLLER FUNCTIONS							
Humidity Control		Yes					
Two-way Ventilation		Yes					
Auto Clean		Yes					
Auto Mode		Yes					
Auto Fan		Yes					
Auto Swing (Horizontal Auto Swing)		Yes					
Auto Swing - 180° (Vertical Auto Swing)		Yes					
Clock		Yes					
Dry Mode		Yes					
Dry Anti-Mildew (X-Fan) Mode		Yes					
Energy Saving Mode		Yes					
Dirty Filter Alert		Yes					
Fan Speed Control (7 Speeds)		Yes					
I Feel Function		Yes					
Child Lock		Yes					
Quiet Mode		Yes					
Room Temperature Display		No					
Sleep Mode		Yes					
3 Sleep Mode Options		Yes					
Timer Mode		Yes					
Turbo Mode		Yes					
Display On/Off Control		Yes					
Freeze Guard Mode		Yes					
Power Failure Mode		Yes					

DIMENSIONS

INDOOR UNIT

Unit: inch

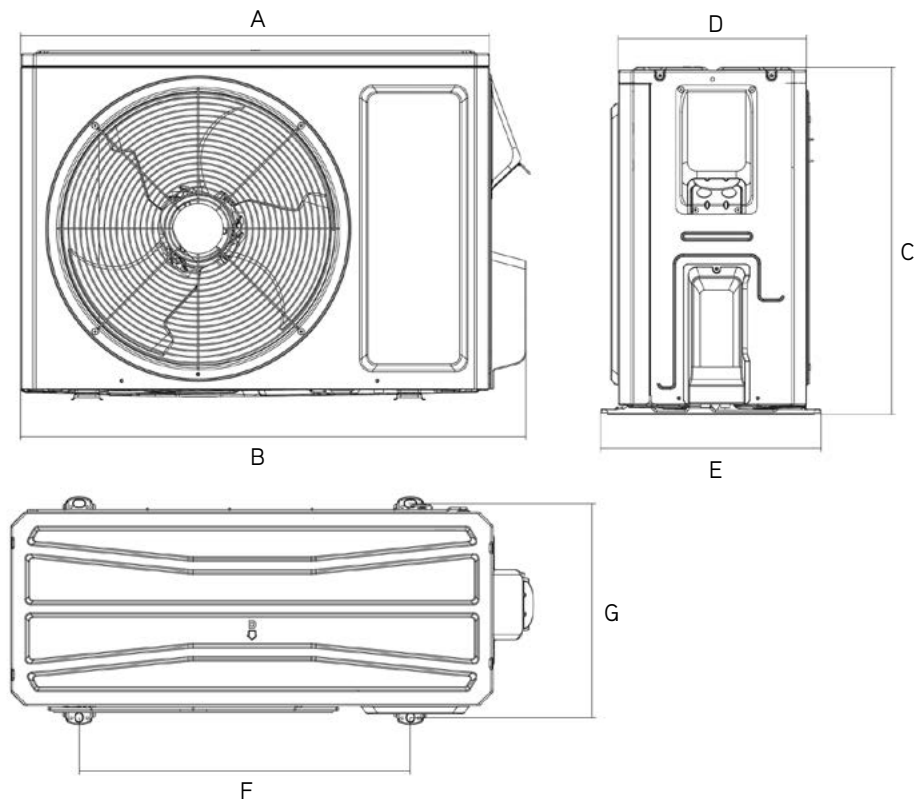
ENV18HP230V1R32AH	
DIMENSIONS	
W	39 3/32
H	12 1/4
D	8 47/64
W1	5 3/64
W2	27 55/64
W3	6 13/64



OUTDOOR UNIT

Unit: inch

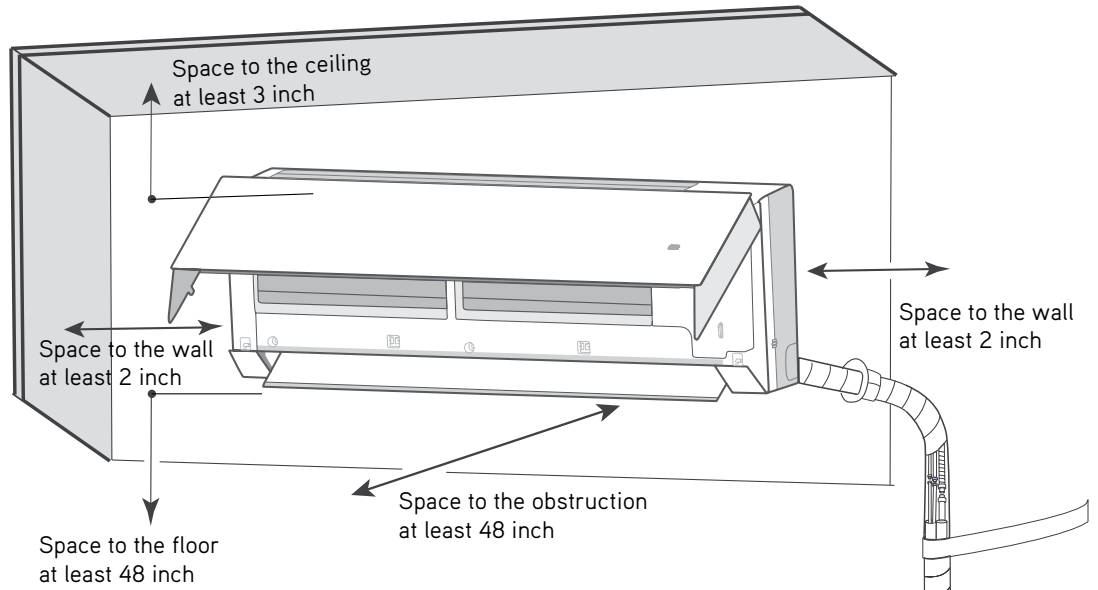
ENV18HP230V1R32AO	
DIMENSIONS	
A	35
B	37 23/32
C	25 63/64
D	13 25/64
E	15 53/64
F	22 7/16
G	14 39/64



CLEARANCES

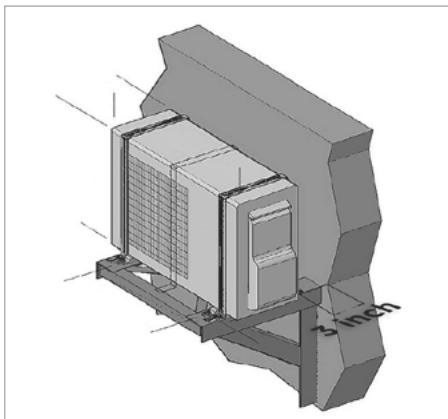
INDOOR UNIT

Minimum clearance

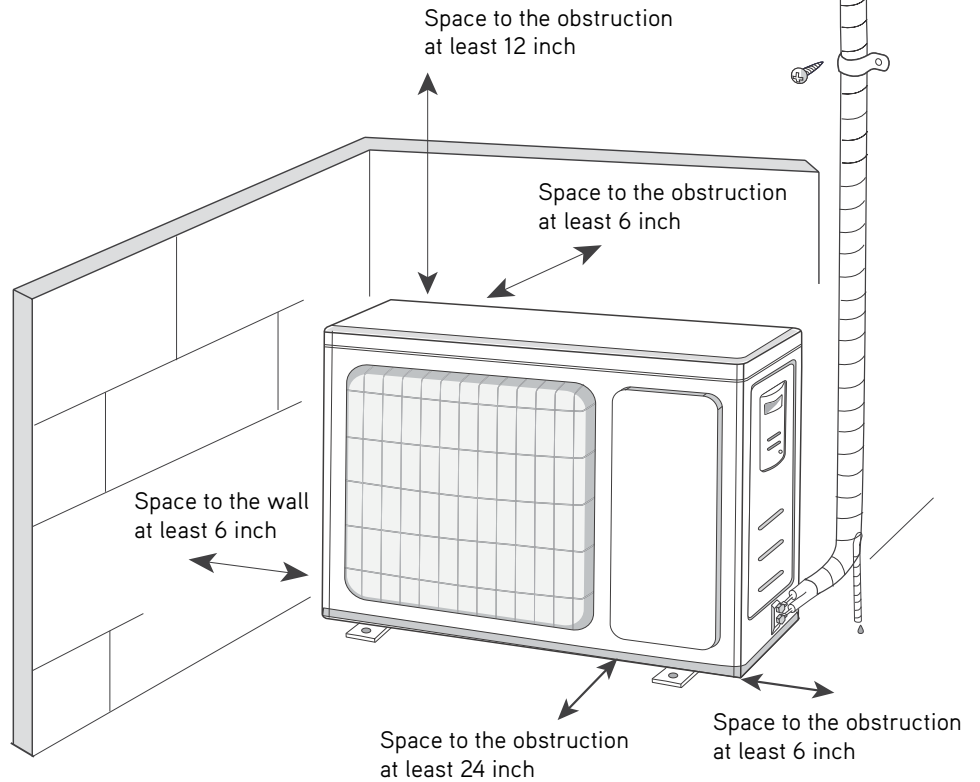


OUTDOOR UNIT

Minimum clearance



NOTE:
If bottom of the unit is free of airflow obstructions similar to the mounting bracket figure, the clearance to the wall on the back can be reduced to 3 inches.



Specifications are subject to change without notice. Manufacturer reserves the right to discontinue or modify specifications or designs without notice or without incurring obligations. All Rights reserved.