



Air comfort for all



OWNER'S MANUAL

Indoor Unit

MODELS:

FXE24HP230V1R32AH
FXE30HP230V1R32AH
FXE36HP230V1R32AH
FXE48HP230V1R32AH
FXE60HP230V1R32AH

Thank you for choosing our product.
Please read this Owner's Manual carefully before
operation and retain it for future reference.

To download an electric version of this manual visit
<https://gree-comfort-dev.web.app/system-documentation/>

To Users

Thank you for selecting Gree product. Please read this instruction manual carefully before installing and using the product, so as to master and correctly use the product. In order to guide you to correctly install and use our product and achieve expected operating effect, we hereby instruct as below:

- (1) This appliance is not intended for use by persons (including children) with reduced physical, sensory or mental capabilities, or lack of experience and knowledge, unless they have been given supervision or instruction concerning use of the appliance by a person responsible for their safety. Children should be supervised to ensure that they do not play with the appliance.
- (2) In order to ensure reliability of product, the product may consume some power under stand-by status for maintaining normal communication of system and preheating refrigerant and lubricant. If the product is not to be used for long, cut off the power supply; please energize and preheat the unit in advance before reusing it.
- (3) Please properly select the model according to actual using environment, otherwise it may impact the using convenience.
- (4) This product can't be installed at corrosive, inflammable or explosive environment or the place with special requirements, such as kitchen. Otherwise, it will affect the normal operation or shorten the service life of the unit, or even cause fire hazard or serious injury. As for above special places, please adopt special air conditioner with anti-corrosive or anti-explosion function.
- (5) If the product needs to be installed, moved or maintained, please contact our designated dealer or local service center for professional support. Users should not disassemble or maintain the unit by themselves, otherwise it may cause relative damage, and our company will bear no responsibilities.
- (6) All the illustrations and information in the instruction manual are only for reference. In order to make the product better, we will continuously conduct improvement and innovation. If there is adjustment in the product, please subject to actual product.

Exception Clauses

Manufacturer will bear no responsibilities when personal injury or property loss is caused by the following reasons:

- (1) Damage the product due to improper use or misuse of the product.
- (2) Alter, change, maintain or use the product with other equipment without abiding by the instruction manual of manufacturer.
- (3) After verification, the defect of product is directly caused by corrosive gas.
- (4) After verification, defects are due to improper operation during transportation of product.
- (5) Operate, repair, maintain the unit without abiding by instruction manual or related regulations.
- (6) After verification, the problem or dispute is caused by the quality specification or performance of parts and components that produced by other manufacturers.
- (7) The damage is caused by natural calamities, bad using environment or force majeure.

Contents

1 Safety Precautions	1
2 Product Introduction	4
2.1 Product Description.....	4
2.2 Operating Range.....	4
2.3 Physical Dimension.....	4
2.4 Names of Main Parts.....	5
2.5 General Information	6
2.6 Refrigerant charge	6
2.7 Dip Switch Configuration.....	7
2.8 Fan Performance Data	8
3 Preparative for Installation.....	10
3.1 Pre-Installation Instruction.....	10
3.2 Important Safety Instructions.....	11
4 Installation.....	14
4.1 Unit Inspection	14
4.2 Location	14
4.3 Piping Work.....	15
4.4 Condensate Removal.....	18
4.5 Ductwork.....	18
4.6 Electric Heater	19
4.7 Electrical Installation	22
5 Installation Check and Trial Run	30
5.1 Checking Items after Installation	30
5.2 Trial Run	30
6 Common Malfunction and Elimination	31
7 Maintenance and Care.....	34


7.1 Drain Pipe	34
7.2 Notice before Seasonal Use.....	34
7.3 Maintenance after Seasonal Use	34
7.4 Parts Replacement.....	34
7.5 Unventilated Areas.....	34
8 After-Sales Service	35
9 Qualification of Worker	35
10 Transportation, Marking and Storage for Units that Employ Flammable Refrigerants	36
10.1 General.....	36
10.2 Transport of Equipment Containing Flammable Refrigerants	36
10.3 Marking of Equipment Using Signs	36
10.4 Disposal of Equipment Using Flammable Refrigerants.....	36
10.5 Storage of Equipment/Appliances	37
10.6 Storage of Packed (Unsold) Equipment	37
11 Information on Servicing.....	37
11.1 General	37
11.2 Checks to the Area	37
11.3 Work Procedure	37
11.4 General Work Area.....	37
11.5 Checking for Presence of Refrigerant.....	37
11.6 Presence of Fire Extinguisher.....	38
11.7 No Ignition Sources	38
11.8 Ventilated Area	38
11.9 Checks to the Refrigerating Equipment	38
11.10 Checks to Electrical Devices	39
11.11 Pipe Installation	39

12 Sealed Electrical Components shall be Replaced	40
13 Intrinsically Safe Components must be Replaced	40
14 Cabling	40
15 Detection of Flammable Refrigerants	40
16 Removal and Evacuation	41
17 Charging Procedures	42
18 Decommissioning.....	42
19 Labelling	43
20 Recovery.....	43

1 Safety Precautions

WARNING

This product can't be installed at corrosive, inflammable or explosive environment or the place with special requirements, such as kitchen. Otherwise, it will affect the normal operation or shorten the service life of the unit, or even cause fire hazard or serious injury. As for above special places, please adopt special air conditioner with anti-corrosive or anti-explosion function.

Improper installation, adjustment, alteration, service, maintenance, or use can cause explosion, fire, electrical shock, or other conditions which may cause death, personal injury, or property damage. Consult a qualified installer, service agency, or your distributor or branch for information or assistance. The qualified installer or agency must use factory--authorized kits or accessories when modifying this product. Refer to the individual instructions packaged with the kits or accessories when installing. Follow all safety codes. Wear safety glasses, protective clothing, and work gloves. Use quenching cloth for brazing operations. Have fire extinguisher available. Read these instructions thoroughly and follow all warnings or cautions included in literature and attached to the unit. Consult local building codes and National Electrical Code (NEC) for special requirements. Recognize safety information. This is the safety--alert symbol .

When you see this symbol on the unit and in instructions or manuals, be alert to the potential for personal injury. Understand these signal words: **DANGER**, **WARNING**, **CAUTION** and **NOTICE**. These words are used with the safety--alert symbol.

 **DANGER**

Indicates a hazardous situation that, if not avoided, will result in death or serious injury.

 **WARNING**

Indicates a hazardous situation that, if not avoided, could result in death or serious injury.

 **CAUTION**

Indicates a hazardous situation that, if not avoided, may result in minor or moderate injury.

NOTICE

Indicates important but not hazard-related information, used to indicate risk of property damage.



Appliance filled with flammable magas R32.



Before install the appliance, read the installation manual first.



Before use the appliance, read the owner's manual first.



Before repair the appliance, read the service manual first.

⚠️ WARNING

Do not use means to accelerate the defrosting process or to clean, other than those recommended by the manufacturer.

The appliance shall be stored in the room without continuously operating ignition sources (for example: open flames, an operating gas appliance or an operating electric heater.)

Do not pierce burn.

Be aware that refrigerant may not contain an odour.

⚠️ WARNING

Electric heating or the product need to be 5 feet away from other flammable materials or 1 foot away from the wall.

⚠️ WARNING

Electrical shock hazard:

Failure to follow this warning could result in personal injury or death.

Before installing, modifying, or servicing system, main electrical disconnect switch must be in the OFF position. There may be more than 1 disconnect switch. Lock out and tag switch with a suitable warning label.

⚠️ WARNING

PROPOSITION 65:

Respirable particles of fiberglass are known to State of California to cause cancer. This appliance contains fiberglass insulation.

California Proposition 65 warnings are required for certain products, which are not covered by the OSHA standards. All manufacturer products meet current federal

OSHA Guidelines for safety.

Products that contain or produce any of the more than 600 listed chemicals known in California can cause cancer or birth defects, such as fiberglass insulation, lead in brass and natural gas combustion products. Warnings are issued for such products sold in California as required by California Proposition 65.

All “new equipment” shipped for sale in California will have labels stating that the product contains and /or produces Proposition 65 chemicals. We cannot always know “when, or if” products will be sold in the California market. Although we have not changed our processes, having the same label on all our products facilitates manufacturing and shipping.

WARNING

All phases of this installation must conform to NATIONAL, STATE AND LOCAL CODES. If it is required for additional information, please contact your local distributor.

WARNING

The unit must be permanently grounded. Failure to do so can lead to electrical shock causing personal injury or death.

WARNING

The material of plenum and ductwork must meet the standard NFPA 90B.

The supply air plenum or duct must have a solid sheet metal bottom piece directly after the air handler unit with no openings, registers or flexible air ducts located in it. The first 6 inches of supply air plenum and ductwork must be constructed of sheet metal as required by NFPA 90B. Metal plenum or duct may be connected to the non-combustible floor base for downflow. Exposing combustible non-metal material to the supply opening of a downflow unit can cause a fire resulting in property damage, personal injury or death. If flexible supply air ducts are used they may be located only in the side walls of the rectangular plenum, a minimum of 6 inches from the solid bottom.

2 Product Introduction

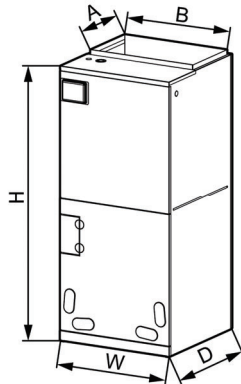
2.1 Product Description

The GREE air handler offer the perfect combination of superior product quality, operating efficiency, operating sound levels and value for money. The condensing unit uses the environmentally friendly refrigerant R32, which is chlorine-free to help prevent damage to the ozone layer. This product cannot be used in combination with other products, otherwise it may cause performance, reliability and safety problems.

2.2 Operating Range

—	Cooling	Heating
Indoor temperature	64.4°F(18°C)~89.6°F(32°C)	50°F(10°C)~80.6°F (27°C)

2.3 Physical Dimension



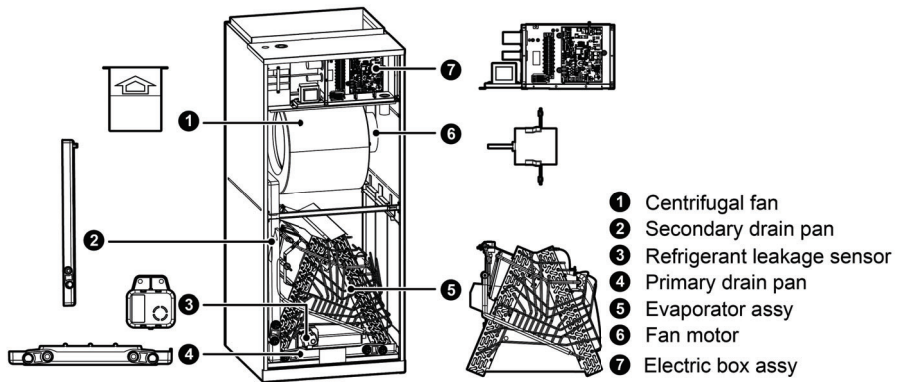
Unit: inch(mm)

Model	Dimension				
	W	D	H	A	B
FXE24HP230V1R32AH	18-1/8 (460)	21-1/4 (540)	43-1/2 (1105)	11-5/8 (295)	16-3/4 (426)
FXE30HP230V1R32AH	21-1/4 (540)	21-1/4 (540)	48-3/16 (1224)	11-5/8 (295)	20 (508)
FXE36HP230V1R32AH					
FXE48HP230V1R32AH	24-13/16 (630)	21-1/4 (540)	52 (1320)	11-5/8 (295)	20 (508)
FXE60HP230V1R32AH					

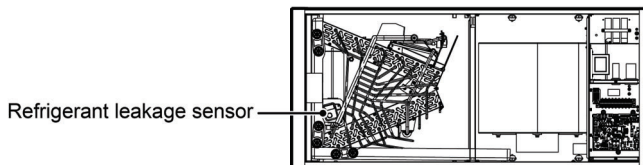
NOTE: The outdoor unit models that can be matched with the indoor unit can be found on the AHRI website.

2.4 Names of Main Parts

2.4.1 Vertical installation

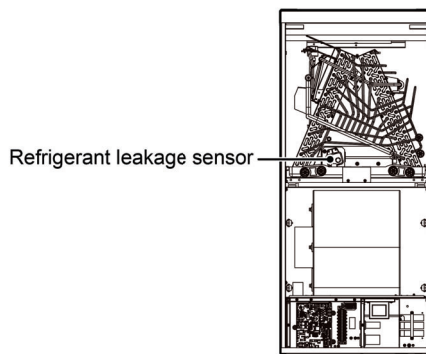


2.4.2 Lying installation



NOTES: When installing as shown in the figure, the refrigerant sensor needs to be installed in the position shown in the figure, remove the fixing screws of the refrigerant sensor and adjust the internal wiring to ensure that the inner wiring will not meet the sharp side.

2.4.3 Inverted Installation



NOTE: When installing as shown in the figure, adjust the internal wiring to ensure that the inner wiring will not meet the sharp side.

NOTES: If the refrigerant sensor is damaged, replace the refrigerant sensor as follows:

- ①. Remove the lower front side panel.
- ②. Remove the fixing screws of the refrigerant sensor.
- ③. Replace the refrigerant sensor with a new one.

The service life of the refrigerant sensor is fifteen years and the refrigerant sensor of the refrigerant detection system can only be replaced with the particular sensor which is specified by the manufacturer.

④. Where a single remote refrigerant sensor is used in a room with multiple units, all units in the room which do not have a dedicated refrigerant detection system shall take the same actions. When an ITE COOLING APPLIANCE or PARTIAL UNIT'S REFRIGERANT DETECTION SYSTEMS for an appliances refrigerant circuit resets to a safe condition the unit shall not be allowed to initiate NORMAL OPERATIONS until all REFRIGERANT DETECTION SYSTEM systems in the CIRCULATION AIRFLOW have been reset.

Where a single REMOTE REFRIGERANT DETECTION system sensor is used in a room with multiple units, this requirement shall apply to all units in the room which do not have a dedicated REFRIGERANT DETECTION SYSTEM.

2.5 General Information

Unit:INCH

Model	Filter Size
FXE24HP230V1R32AH	16X20X1
FXE30HP230V1R32AH	20X20X1
FXE36HP230V1R32AH	20X20X1
FXE48HP230V1R32AH	20X25X1
FXE60HP230V1R32AH	20X25X1

2.6 Refrigerant charge

No.	Refrigerant Perfusion(kg)	Minimum Room Area(m ²)	Minimum Room Area(ft ²)
1	3.0	9.2	99.0
2	3.2	9.8	105.5
3	3.7	11.4	122.7
4	3.9	12.0	129.2
5	4.6	14.1	151.8
6	5.1	15.7	169.0

No.	Refrigerant Perfusion(kg)	Minimum Room Area(m ²)	Minimum Room Area(ft ²)
7	6.0	18.4	198.0

NOTES:

- ①. Based upon W/nominal tonnage, dry coil and filter should be installed.
- ②. Use 0.96 as approximate SCFM correction factor for wet coil.
- ③. The room area is calculated according to the height of 2.2m. Minimum room height is 2.2m
- ④. This manual is only applicable to a single room.
- ⑤. Correct the minimum room area of the space A_{min} by multiplying by an altitude adjustment factor (AF) based on for building site ground level altitude (Halt) in meters.

Halt	0	200	400	600	800	1000	1200	1400	1600
AF	1.00	1.00	1.00	1.00	1.02	1.05	1.07	1.10	1.12
Halt	1600	1800	2000	2200	2400	2600	2800	3000	3200
AF	1.12	1.15	1.18	1.21	1.25	1.28	1.32	1.36	1.40

- ⑥. The minimum airflow corresponding to different products is as follows:

GUD24AH2/G-D(U): 250m³/h

GUD30AH2/G-D(U), GUD36AH2/G-D(U): 285m³/h

GUD48AH2/G-D(U), GUD60AH2/G-D(U): 455m³/h

"LEAK DETECTION SYSTEM installed. Unit must be powered except for service." If any remote located REFRIGERANT SENSOR is employed to detect leaked refrigerant, such a remote located REFRIGERANT SENSOR shall also apply to this marking or be accompanied by such instructions.

2.7 Dip Switch Configuration

Set the indoor fan speed through the eight dip switches of the indoor main control board. The higher level, the higher speed of the indoor unit fan. Operation Instruction is below:

Dip switch settings must be completed before power on the unit.

After the unit is shut down or stopped at the temperature point, the indoor unit will delay for a few minutes and then shut down. The refrigeration can realize the drying function, relieve the mold of the air duct, and the heating can blow the waste heat and relieve the heat accumulation in the air duct.

During installation and debugging, pay attention to check whether the thermostat has set the fan delay and shutdown time. If the thermostat has been set, the actual delay and shutdown time of the fan is equal to the thermostat setting time plus the fan delay time of the indoor unit.

Model	Level	Heat (SA2)				Cool (SA1)			
FXE24HP230V1R32AH	Level 1	0	0	0	1	1	1	1	1
	Level 2	0	0	1	0	1	1	1	1
	Level 3-Default	0	0	1	1	1	1	1	1
	Level 4	0	1	1	0	1	1	1	1
	Level 5	0	1	1	1	1	1	1	1
FXE30HP230V1R32AH	Level 1	0	0	0	1	1	1	1	1
	Level 2	0	0	1	0	1	1	1	1
	Level 3-Default	0	0	1	1	1	1	1	1
	Level 4	0	1	1	0	1	1	1	1
	Level 5	0	1	1	1	1	1	1	1
FXE36HP230V1R32AH	Level 1	0	0	0	1	1	1	1	1
	Level 2	0	0	1	0	1	1	1	1
	Level 3-Default	0	0	1	1	1	1	1	1
	Level 4	0	1	1	0	1	1	1	1
	Level 5	0	1	1	1	1	1	1	1
FXE48HP230V1R32AH	Level 1	0	0	0	1	1	1	1	1
	Level 2	0	0	1	0	1	1	1	1
	Level 3-Default	0	0	1	1	1	1	1	1
	Level 4	0	1	1	0	1	1	1	1
	Level 5	0	1	1	1	1	1	1	1
FXE60HP230V1R32AH	Level 1	0	0	0	1	1	1	1	1
	Level 2	0	0	1	0	1	1	1	1
	Level 3-Default	0	0	1	1	1	1	1	1
	Level 4	0	1	1	0	1	1	1	1
	Level 5	0	1	1	1	1	1	1	1

NOTE: 0 means dip switch to 'on', 1 means dip switch to number.

2.8 Fan Performance Data

External static pressure should stay within the minimum and maximum limits shown in the table below in order to ensure proper operation of both cooling and heating operation.

Model	GUD24AH2/G-D(U)											
Level	Static pressure:inwg (Pa)											
	0 (0)	0.1 (25)	0.15 (37)	0.2 (50)	0.3 (75)	0.4 (100)	0.5 (125)	0.6 (150)	0.7 (175)	0.8 (200)	0.9 (225)	1 (250)
Speed 1(CFM)	1080	960	900	<u>830</u>	-	-	-	-	-	-	-	-
Speed 2(CFM)	1220	1120	1060	990	<u>820</u>	-	-	-	-	-	-	-
Speed 3(CFM)	1380	1250	1120	1070	1020	920	<u>760</u>	-	-	-	-	-
Speed 4(CFM)	1700	1630	1580	1530	1450	1400	1370	1270	1150	970	<u>790</u>	-
Speed 5(CFM)	1750	1700	1650	1600	1590	1500	1420	1330	1200	1050	950	<u>850</u>

Model	GUD30AH2/G-D(U)											
Level	Static pressure:inwg (Pa)											
	0 (0)	0.1 (25)	0.15 (37)	0.2 (50)	0.3 (75)	0.4 (100)	0.5 (125)	0.6 (150)	0.7 (175)	0.8 (200)	0.9 (225)	1 (250)
Speed 1(CFM)	1220	1120	1020	960	-	-	-	-	-	-	-	-
Speed 2(CFM)	1380	1260	1200	1100	950	-	-	-	-	-	-	-
Speed 3(CFM)	1630	1580	1500	1430	1370	1200	1000	970	-	-	-	-
Speed 4(CFM)	1840	1800	1750	1710	1640	1590	1500	1420	1330	1220	1100	930
Speed 5(CFM)	1870	1830	1810	1800	1760	1690	1620	1520	1440	1350	1250	1150

Model	GUD36AH2/G-D(U)											
Level	Static pressure:inwg (Pa)											
	0 (0)	0.1 (25)	0.15 (37)	0.2 (50)	0.3 (75)	0.4 (100)	0.5 (125)	0.6 (150)	0.7 (175)	0.8 (200)	0.9 (225)	1 (250)
Speed 1(CFM)	1220	1120	1020	960	-	-	-	-	-	-	-	-
Speed 2(CFM)	1380	1260	1200	1100	950	-	-	-	-	-	-	-
Speed 3(CFM)	1630	1580	1500	1430	1370	1200	1000	970	-	-	-	-
Speed 4(CFM)	1840	1800	1750	1710	1640	1590	1500	1420	1330	1220	1100	930
Speed 5(CFM)	1870	1830	1810	1800	1760	1690	1620	1520	1440	1350	1250	1150

Model	GUD48AH2/G-D(U)											
Level	Static pressure:inwg (Pa)											
	0 (0)	0.1 (25)	0.15 (37)	0.2 (50)	0.3 (75)	0.4 (100)	0.5 (125)	0.6 (150)	0.7 (175)	0.8 (200)	0.9 (225)	1 (250)
Speed 1(CFM)	1680	1560	1500	<u>1350</u>	-	-	-	-	-	-	-	-
Speed 2(CFM)	1810	1690	1620	1550	<u>1380</u>	-	-	-	-	-	-	-
Speed 3(CFM)	1930	1830	1770	1710	1580	1480	<u>1200</u>	-	-	-	-	-
Speed 4(CFM)	2280	2240	2200	2180	2130	2080	2000	1880	1750	1600	<u>1400</u>	<u>1200</u>
Speed 5(CFM)	2300	2260	2220	2190	2140	2090	2040	1980	1930	1800	1700	1550

Model	GUD60AH2/G-D(U)											
Level	Static pressure:inwg (Pa)											
	0 (0)	0.1 (25)	0.15 (37)	0.2 (50)	0.3 (75)	0.4 (100)	0.5 (125)	0.6 (150)	0.7 (175)	0.8 (200)	0.9 (225)	1 (250)
Speed 1(CFM)	1850	1720	1650	1600	-	-	-	-	-	-	-	-
Speed 2(CFM)	1920	1800	1730	1650	1480	-	-	-	-	-	-	-
Speed 3(CFM)	2110	2000	1950	1860	1760	1640	1500	-	-	-	-	-
Speed 4(CFM)	2300	2260	2230	2200	2150	2115	2050	1990	1920	1790	1650	1470
Speed 5(CFM)	2320	2280	2250	2230	2190	2140	2080	2040	2000	1950	1920	1890

NOTE: Please refer to above table for fan speed selection, and “-” indicates that the electric heater is not allowed to be used. Underline “_” indicates that electric heating is not allowed.

3 Preparative for Installation

3.1 Pre-Installation Instruction

3.1.1 Checking Product Received

After receiving the product, please check if there is any damage caused by transportation. Shipping damage is the responsibility of the carrier. Verify the model number, specifications and accessories are correct prior to installation. The distributor or manufacturer will not accept claims from dealers for transportation damage or installation of incorrectly shipped units.

3.1.2 Before Installation

Carefully read all instructions for the installation prior to installing product. Make sure each step or procedure is understood and any special considerations are taken into account before starting installation. Assemble all tools, hardware and supplies needed to complete the installation. Some items may need to be purchased locally. Make sure everything needed to install the product is on hand before starting.

3.1.3 Codes & Regulations

This product is designed and manufactured to comply with national codes. It is installer's responsibilities to install the product in accordance with such codes and/or any prevailing local codes/regulations. The manufacturer assumes no responsibilities for equipment installed in violation of any codes or regulations.


3.1.4 Replacement Parts


When reporting shortages or damages, or ordering repair parts, give the complete product model and serial numbers as stamped on the product. Replacement parts for this product are available through your contractor or local distributor.

3.2 Important Safety Instructions


Recognize safety symbols, words, and labels

The following symbols and labels are used throughout this manual to indicate immediate or potential hazards. It is the owner's responsibility to read and comply with all safety information and instructions accompanying these symbols. Failure to heed safety information increases the risk of serious personal injury or death, property damage and/or product damage.

 DANGER Immediate hazards which will result in property damage, product damage, severe personal injury or death.

 WARNING Hazards or unsafe practices could result in property damage, product damage, severe personal injury or death.


NOTICE Hazards or unsafe practices which may result in property damage, product damage, severe personal injury or death.


 WARNING Before serving or installing this equipment. The electrical


power to this unit must be in the “off” position. Caution, more than one disconnect may exist. Failure to observe this warning may result in an electrical shock that can cause personal injury or death.

WARNING

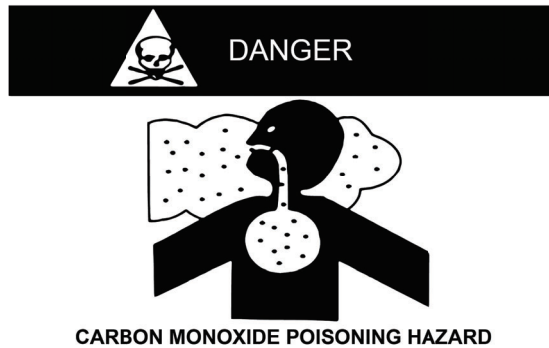
The United States Environmental Protection Agency (“EPA”) has issued various regulations regarding the introduction and disposal of refrigerants introduced into this unit. Failure to follow these regulations may harm the environment and can lead to the imposition of substantial fines. These regulations may vary due to the passage of laws. A certified technician must perform the installation and service of this product. Should questions arise, contact your local EPA office.

 **WARNING** Due to high system pressure and electrical shock in potential, installation and service work can be dangerous. Only trained and qualified persons are permitted to install or service this equipment. Observe all warnings contained in this manual and labels/tags attached to the equipment.

 **WARNING** This product is factory shipped for use with a 208/230V-1Ph-60Hz electrical power supply. This air handler must not be reconfigured to operate with any other power supply.

 **WARNING** The unit must have an uninterrupted, unbroken electric grounding to minimize the possibility of personal injury if an electric fault occurs. The electric grounding circuit may consist of an appropriate sized power cord which connected with the grounding piece located in the unit control box and also connecting to the building electric service panel. Other methods of grounding are permitted if performed in accordance with the “National

If an incorrect Electric Code” (NEC)/ “American National Standards Institute” (ANSI)/ “National Fire Protection Association” (NFPA) 70 and local/state codes. In Canada, electric grounding conforms to the Canadian electric code CSA c22.1. Failure to observe this warning can result in electrical shock that can cause personal injury.



Special warning for installation of furnaces or air handling units in enclosed areas, such as garages, utility rooms or parking areas.

Carbon monoxide producing devices (such as an automobile, space heater, gas water heater, etc.) should not be operated in enclosed areas such as unventilated garages, utility rooms or parking areas because of the danger of carbon monoxide (CO) poisoning resulting from the exhaust emissions. If a furnace or air handler is installed in an enclosed area such as a garage, utility room or parking area and a carbon monoxide producing device is operated therein, there must be adequate ventilation directly to outside.

This ventilation is necessary to avoid the danger of CO poisoning which can occur if a carbon monoxide producing device continues to operate in the enclosed area. Carbon monoxide emission can be (re)circulated throughout the building if the furnace or air handler is operating in any mode.

CO can cause serious illness including permanent brain damage or death.

⚠️ WARNING

For appliances using FLAMMABLE REFRIGERANTS with safety features that depend upon the proper function of a leak detection system used for leak mitigation, the instructions and unit markings shall contain the substance of the following: "LEAK DETECTION SYSTEM installed. Unit must be powered except for service." If any remote located REFRIGERANT SENSOR is employed to detect leaked refrigerant, such a remote located REFRIGERANT SENSOR shall also apply to this marking or be accompanied by such instructions.

4 Installation


4.1 Unit Inspection

Upon delivery, inspect the unit for damage. Any damage must be reported immediately to the carrier. Do not install such an equipment damaged by freight which determines the integrity and safety of the unit.

Please check the equipment model number to ensure the unit is appropriately sized for the condensing unit.

Unit is supplied, it must not be installed and it is to be returned to the supplier. The manufacturer assumes no responsibility for the installation of incorrectly delivered units. The evaporator coil contains high-pressure inert gas for holding charge.

4.2 Location

 WARNING This air handler is designed for indoor installation only. Do not install it outdoors.

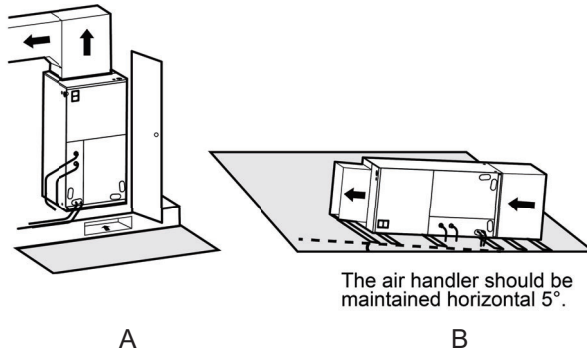
When installing the air handler, take consideration to minimize the length of refrigerant tubing as much as possible. Do not install the air handler in a location either above or below the condenser that violates the instructions provided with the condenser. Service clearance is to take precedence. Allow a minimum of 24" in front of the unit for service clearance. When installing in an area directly over a finished ceiling (such as an attic), an emergency drain pan is required directly under the unit. See local and state codes for requirements. When installing this unit in an area that may become wet, elevate the unit with a sturdy, non-porous material. In installations that may lead to physical damage (i.e. a garage) it is advised to install a protective barrier to prevent such damage.

This air handler is designed for a complete supply and return ductwork system. Do not operate this product without all ductwork attached. The supply duct must be longer than 5 feet(1.524m).

Based upon the actual conditions, if air handler is installed as Fig. A, the air handler should be concealed in a specific room or space and make sure the air handler is not accessible to the general public.

Based upon the actual conditions, if air handler is installed as Fig. B, make sure that there is enough space for care and maintenance and the height between the air

handler and ground is above 2500mm. And the air handler is not accessible to the general public. And the air handler should be maintained horizontal 5° angle to ensure smooth drainage.



NOTICE The product may be filled with helium or other gas. Before any operating, please ensure the gas inside the gas inside the unit has been totally released. Otherwise, it may cause property loss or personal injury.

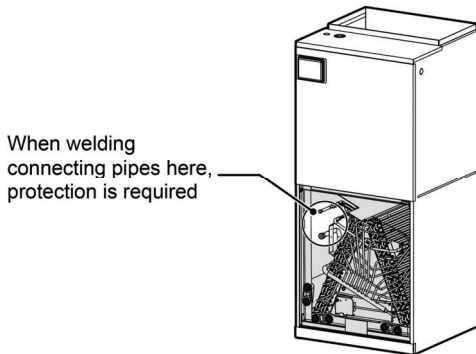
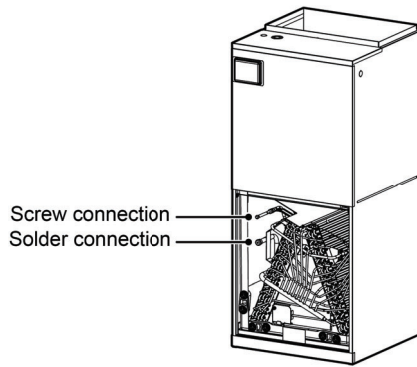
4.3 Piping Work

4.3.1 Specification of Connection Pipe

Model	External Diameter (inch)	
	Gas Pipe	Liquid Pipe
FXE24HP230V1R32AH FXE30HP230V1R32AH FXE36HP230V1R32AH FXE48HP230V1R32AH FXE60HP230V1R32AH	Φ3/4	Φ3/8

4.3.2 Piping Preparation

The gas pipe connection method adopts solder connection, the liquid pipe connection method is screw connection.



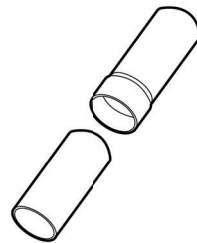
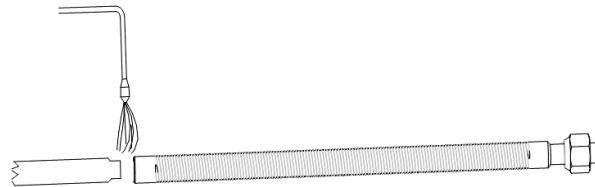
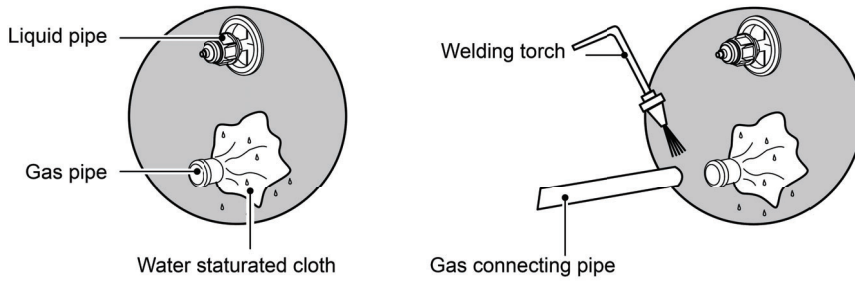
4.3.2.1 Solder Connection

All cut ends are to be round, burr free, and cleaned. Failure to follow this practice increases the chances for refrigerant leakage.

First, wrap the rubber grommet with water saturated cloth, and then weld off the cap closures from the gas pipes. Then weld the gas pipes with the connecting pipes.

Warning: When welding the connecting pipe of the internal and external machine, it is necessary to shield the water receiving tray to avoid burning the water receiving tray!

Please pay attention to the position of the connecting pipe of internal and external machine, otherwise it may cause the mechanical injury. After the connecting pipe is installed, it is necessary to wrap the insulation pipe at the position of the connecting pipe of the internal machine.

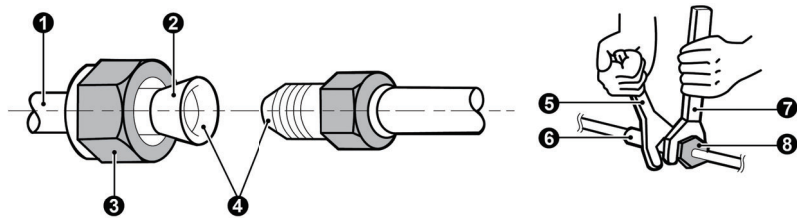


Line set size matches service valve connector



Do not crimp service valve connector when pipe is smaller than connector

4.3.2.2 Screw Connection



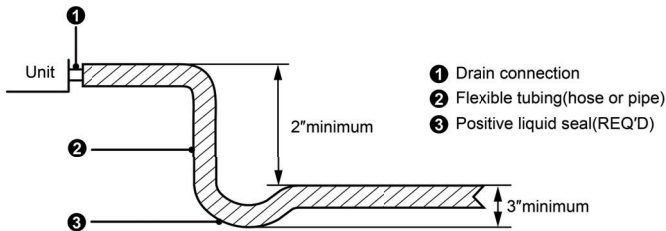
- 1 Copper piping
- 2 Oil applied
(To reduce friction with the flare nut)
- 3 Flare nut
- 4 Oil applied(Improves seal air-tightness)

- 5 Spanner
- 6 Piping union
- 7 Torque wrench
- 8 Flare nut

Pipe Diameter (inch)	Tightening Torque (FT-LB)
Φ1/4	11-22
Φ3/8	25-29
Φ1/2	33-36
Φ5/8	44-47
Φ3/4	51-55
Φ7/8	59-62

4.4 Condensate Removal

- (1) It is not allowed to connect the condensate drain pipe into waste pipe or other pipelines which are likely to produce corrosive or peculiar smell to prevent the smell from entering indoors or corrupt the unit.
- (2) It is not allowed to connect the condensate drain pipe into rain pipe to prevent rain water from pouring in and cause property loss or personal injury.
- (3) Condensate drain pipe should be connected into special drain system for air conditioner.
- (4) The drain pan has primary and secondary drain connection. Condensate removal is performed by attaching a 3/4" PVC pipe to the evaporator coil pan and terminated in accordance with local or state Plumbing/HVAC codes. The installation must include a "P" style trap that is located closely to the evaporator coil. Do not over-tighten the drain connection in order to prevent possible damage to the evaporator drain pan. See the following figure for details of a typical condensate line "P" trap.



4.5 Ductwork

This air handler is designed for a complete supply and return ductwork system.

⚠️ WARNING

Field ductwork must meet the National Fire Protection Association NFPA 90A, NFPA 90B and any applicable local ordinance.

Sheet metal ductwork run in unconditioned spaces must be insulated and covered with a vapor barrier. Fibrous ductwork may be used if constructed and installed in accordance with SMACNA Construction Standard on Fibrous Glass Ducts. Ductwork must comply with National Fire Protection Association as tested by U/L Standard 181 for Class I Air Ducts. Check local codes for requirements on ductwork and insulation.

Duct system must be designed within the range of external static pressure the unit is designed to operate against. It is important that the system airflow be adequate. Make sure supply and return ductwork, grills, special filters, accessories, etc. are accounted for in total resistance. See fan performance data in this manual.

Do not operate the unit without all ductwork completed.

Do not operate this product without all ductwork attached.


Inadequate ductwork that restricts airflow can result in improper performance and compressor or heater failure. Ductwork is to be constructed in a manner that limits restrictions and maintains suitable air velocity. Ductwork is to be sealed to the unit in a manner that will prevent leakage.


Return ductwork: Do not terminate the return ductwork in an area that can introduce toxic or objectionable fumes/odors into the ductwork. The return ductwork is to be introduced into the air handler bottom (up flow configuration).

Return Air Filters: Each installation must include a return air filter. This filtering may be performed at the air handler or externally such as a return air filter grille.

4.6 Electric Heater

The air handlers listed in this manual do not have factory installed electric heat. Electric heat is available as an accessory. Please refer to installation instructions provided with heater kit for the correct installation procedure.

 WARNING Refer to the “Electric heater kits installation” section of this manual and the instructions provided with the heater kit for the correct installation procedure.

 WARNING The electrical characteristics of the air handler, the electric heater kit, and the supply power should be identical. This air handler does not have factory installed electric heater. Electric heater is available as an accessory. If installing this option, the only heater kits that can be used are the series as indicated

below. It is forbidden to use the electric heater other than those recommended.

⚠️ WARNING Installation and debugging when attention to verify the switch sequence of electrical heating and fan, ensure the fan must be turned on when electric heating operation and ensure the electric heating is turned off before the fan to avoid unsafe.

⚠️ WARNING Refer to the “Fan Performance Data” section of this manual, otherwise it is possible to cause an exception and dry risk of electric heating.

⚠️ WARNING The supply ducts that are 5 feet away from electric heating must be at least 1 foot away from other combustibles or walls.

4.6.1 Electric Heater Kits Available

S/N.	PART #	Model	Code	Specification	Compatible AHU(Ton)
1	FLEXA2LHTR06	LYQ-08-F	320004060223	240 V / 6 KW	2T/3T/4T/5T
2	FLEXA2LHTR09	LYQ-08-G	320004060224	240 V / 9 KW	3T/4T/5T
3	FLEXA2LHTR12	LYQ-08-H	320004060225	240 V / 12 KW	3T/4T/5T

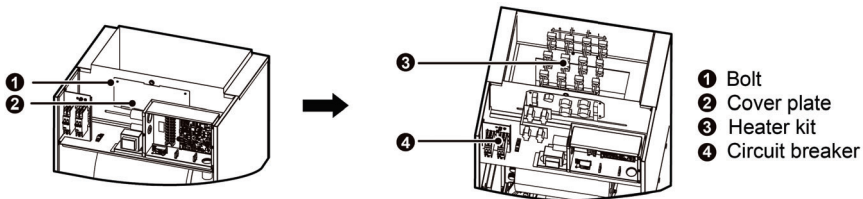
Maximum air outlet temperature 114.9°C.

4.6.2 Electric Heater Kits Installation

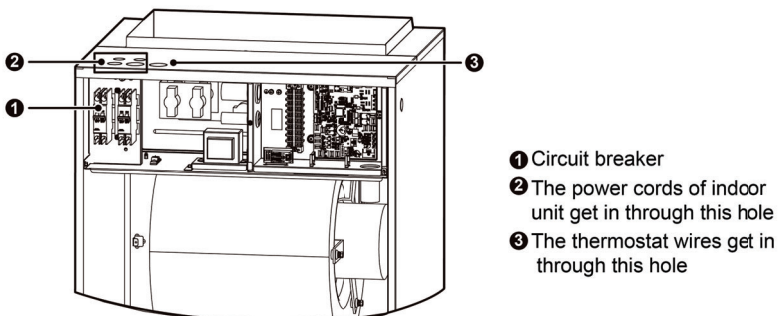
⚠️ CAUTION

- (1) Ensure that all power supply is disconnected prior to installing the heater kit.
- (2) A means of strain relief and conductor protection must be provided at the supply wire entrance into cabinet.
- (3) Use copper conductors only.
- (4) Installation must follow national electric code and other applicable codes.
- (5) If this appliance is installed in an enclosed area such as a garage or utility room with any carbon monoxide producing appliance, ensure the area is properly ventilated.
 - 1) Refer to the Table for appropriate heater kit.
 - 2) Check any physical damage, do not install damaged heater kit.
 - 3) Remove the upper access panel from air handler.
 - 4) Remove cover plate from air handler.

- 5) Slide the heater kit in to the slot and secure element plate with previously removed screws.
- 6) Before installing the electric heating, unplug the X1 terminal, and insert the plug-in terminals on the electric heating to the X1 and X2 terminals respectively. The power line of the unit is connected through an electrically heated circuit breaker.
- 7) Insert power leads into the circuit breaker lugs or stripped red and black wires (for heater kit without circuit breaker) and tighten.
- 8) Connect ground wire to ground lug; M6 screws are required for grounding screws when installing electric heating.
- 9) Knock off appropriate area of the plastic circuit breaker cover on the access panel of the air handler. Knock off the holes according to the actual installation number and positions of circuit breakers. If circuit breaker is not installed, do not knock off the holes; otherwise, electric shock may occur.
- 10) Replace access panel and check operation.



- 11) Connection of power cords and thermostat wires.



4.7 Electrical Installation

4.7.1 Requirement and Notice on Electrical Installation

WARNING

The electrical installation for the air conditioner should observe the following requirements:

- ①. The electrical installation must be conducted by professionals in compliance with local laws and regulations and the instructions in this manual. Never extend the power cords. The electric circuit must be equipped with a circuit breaker and air switch both with sufficient capacity.
- ②. The unit's operating power must be within the nominal range stated in the instruction manual. Use a specialized power circuit for the air conditioner. Do not draw power from another power circuit.
- ③. The air conditioner circuit should be at least 1.5m away from any inflammable surface.
- ④. The external power cords, the thermostat wires and thermostat must be effectively fixed.
- ⑤. The external power cords, the thermostat wires and thermostat can't directly contact any hot objects. For example: they must not contact chimney pipes, warm gas pipes or other hot objects.
- ⑥. The external power cords, the thermostat wires and thermostat must not be squeezed. Never pull, stretch or bend the wires.
- ⑦. The external power cords, the thermostat wires and thermostat must not collide with any metal beam or edge on the ceiling, or touch any metal burrs or sharp metal edge around.
- ⑧. Connect wires correspondingly by referring to the circuit diagram labeled on the unit or electric box. Screws must be tightened up. Slipped screws must be replaced by specialized flat-head screws.
- ⑨. Please use the power cables that are delivered along with the air conditioner. Do not change the power cables arbitrarily. Do not change the length and terminals of the power cables. If you want to change the power cables, please contact Gree's local service center.

- ⑩. Wiring terminals should be connected firmly to the terminal board. Loose connection is forbidden.
- ⑪. After the electrical installation is finished, please use wire clamps to secure the power cords and the thermostat wires. Make sure the wires are not clamped too tight.
- ⑫. The wire gauge of power cord should be large enough. Damaged power cords or other wires must be replaced by specialized wires. Wiring work must be done according to national wiring rules and regulations.

4.7.2 Electrical Parameters

Model	Power Supply	Minimum Circuit Ampacity (A)	Maximum Overcurrent Protection (A)	Fuse Capacity (A)
FXE24HP230V1R32AH	208/230V-1Ph-60Hz	4.7	15	3.15
FXE30HP230V1R32AH		5.3		
FXE36HP230V1R32AH		5.3		
FXE48HP230V1R32AH		7.1		
FXE60HP230V1R32AH		7.7		

NOTICE

- ①. Fuse is located on the main board.
- ②. Install a circuit breaker at every power terminal near the units (indoor unit and thermostat) with at least 3mm contact gap. The units must be able to be plugged or unplugged.
- ③. Circuit breaker and power cord specifications listed in the above table are determined based on the maximum power input of the units.
- ④. Specifications of circuit breaker are based on a working condition where the working temperature is 40°C. If working condition changes, please adjust the specifications according to national standards.
- ⑤. Adopt 5pc of AWG18 power cords to be the communication cords between indoor unit and thermostat. The maximum length is 30m. Please select a proper length according to local conditions. Communication cords must not be twisted together.
- ⑥. The wire gauge of communication cord should not be less than AWG18. It's recommended to use AWG18 power cords as the communication cords.

- ⑦. Continuous air circulation required for proper functioning. Unit must be powered except for service.
- ⑧. All wires must go through the tube.

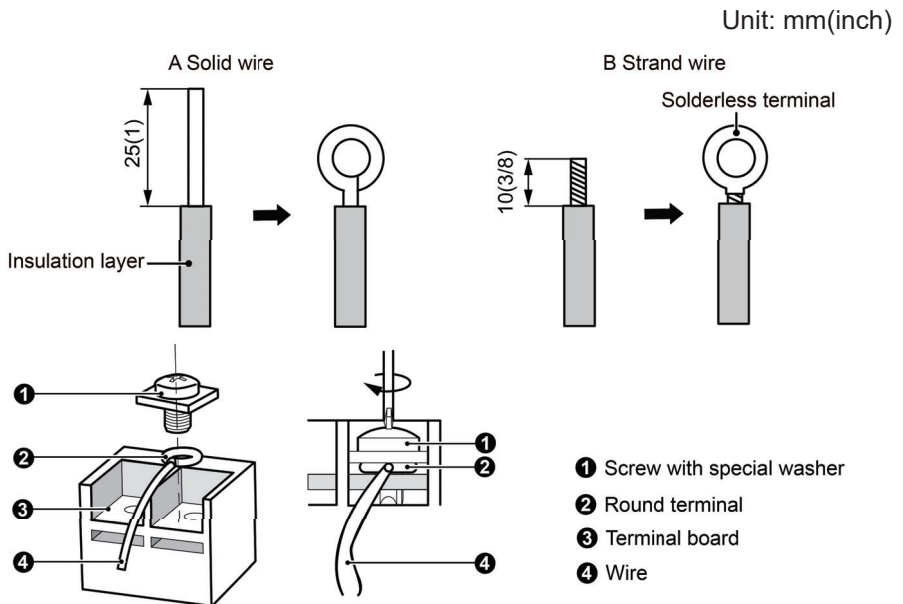
4.7.3 Connection of Power Cords and Thermostat Wires

(1) For solid wires (as shown below):

- 1) Use wire cutters to cut off the wire end and then peel away about 25mm of the insulation layer.
- 2) Use a screwdriver to unscrew the terminal screw on the terminal board.
- 3) Use nippers to bend the solid wire into a ring that fits the terminal screw.
- 4) Form a proper ring and then put it on the terminal board. Use a screwdriver to tighten up the terminal screw.

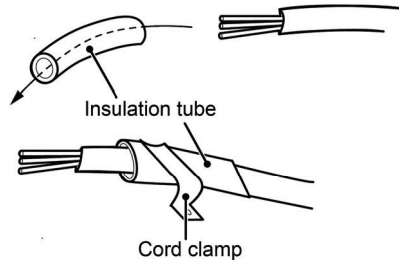
(2) For strand wires (as shown below):

- 1) Use wire cutters to cut off the wire end and then peel away about 10mm of the insulation layer.
- 2) Use a screwdriver to unscrew the terminal screw on the terminal board.
- 3) Use a round terminal fastener or clamp to fix the round terminal firmly on the peeled wire end.
- 4) Locate the round terminal conduit. Use a screwdriver to replace it and tighten up the terminal screw (as shown below).



(3) How to connect the thermostat wires and power cords.

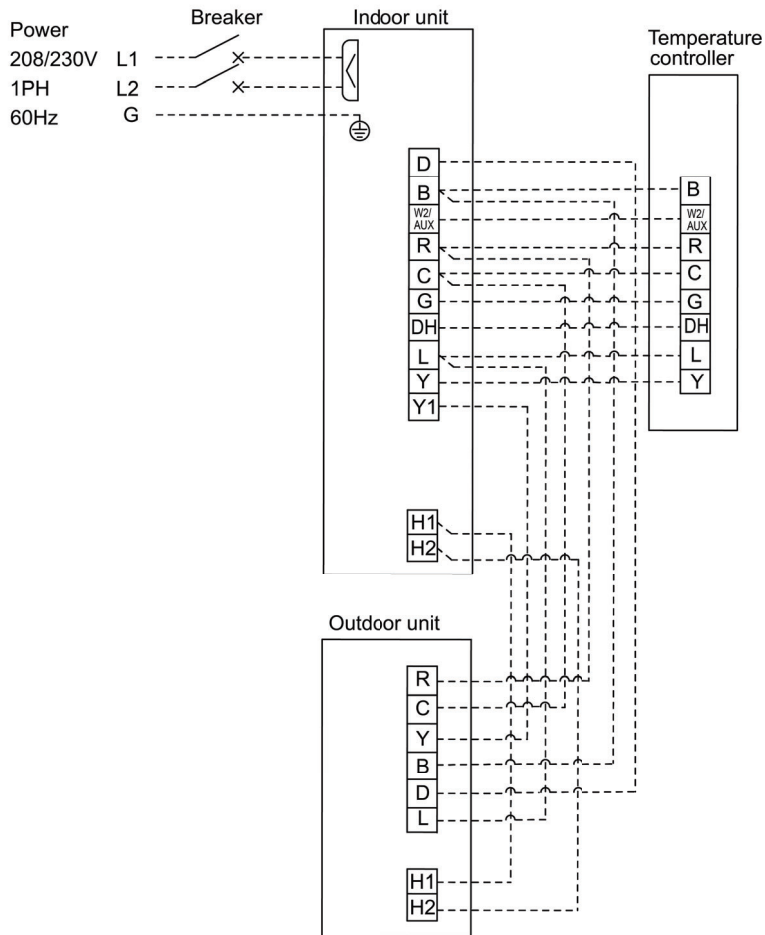
Lead the thermostat wires and power cords through the insulation tube. Then fix the wires with wire clamps (as shown in the following figure.)



⚠ WARNING

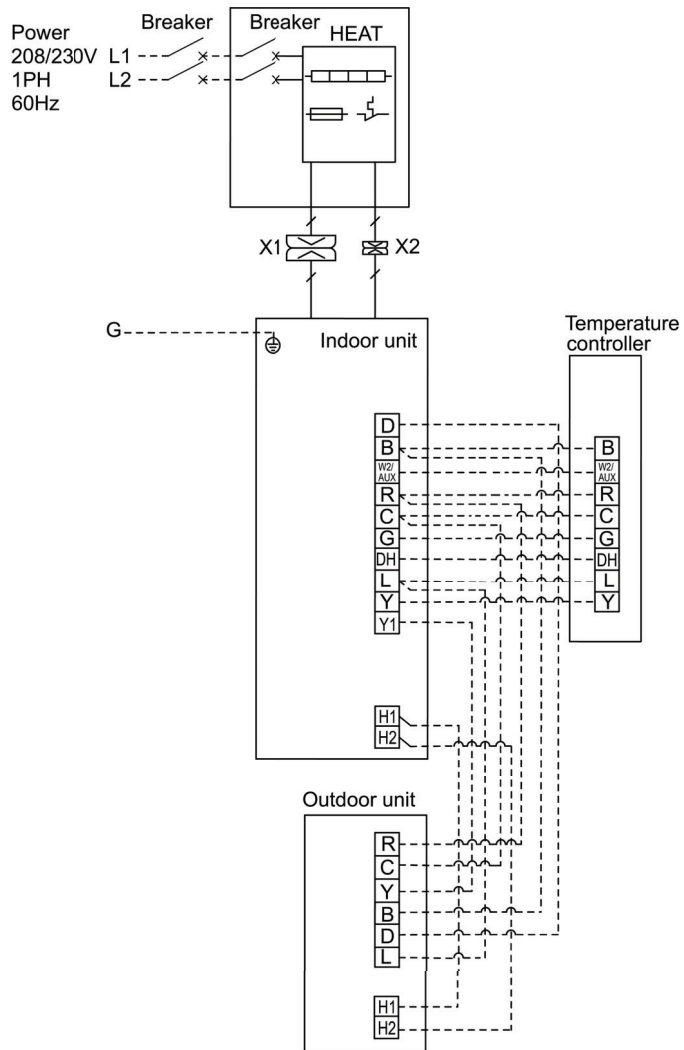
- ①. Before working, please check whether the indoor unit and thermostat are powered on.
- ②. Match the terminal numbers and wire colors with the colors indicated in the indoor unit.
- ③. Wrong wire connection may burn the electrical components.
- ④. Connect the wires firmly to the wiring box. Incomplete installation may lead to fire hazard.
- ⑤. Please use wire clamps to secure the external covers of connecting wires. (Insulators must be clamped securely; otherwise, electric leakage may occur.)
- ⑥. Ground wire should be connected.

Electrical wiring of indoor units (Only for air handler without electric heater)

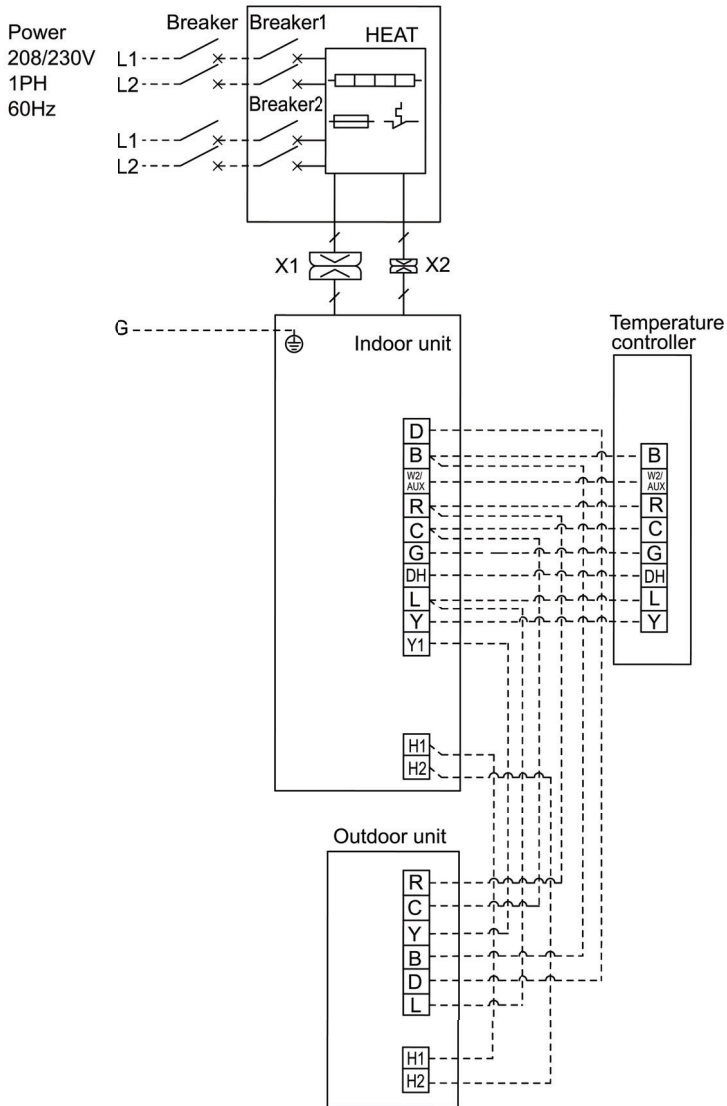


FXE24HP230V1R32AH,FXE30HP230V1R32AH
 FXE36HP230V1R32AH,FXE48HP230V1R32AH, FXE60HP230V1R32AH

Electrical wiring of indoor units



FXE24HP230V1R32AH, FXE30HP230V1R32AH
 FXE36HP230V1R32AH, FXE48HP230V1R32AH, FXE60HP230V1R32AH
 (only for air handler with BLR 6000W/240V BLR)



FXE30HP230V1R32AH, FXE36HP230V1R32AH, FXE48HP230V1R32AH, FXE60HP230V1R32AH
 (only for air handler with BLR 9000W/240V or 12000W/240V)

NOTE:

Y means Compressor control signal for the outdoor unit.

B which is energized under the heating mode means 4-way valve control signal. D means defrosting signal.

R means 24V AC power supply.

C means 24V common.

G means indoor unit fan signal for the indoor unit.

W2/AUX means heater control signal.

L means refrigerant leakage protection signal.

DH means Initial signal.

Y1 means thermostat and compressor output signals.

H1/H2 means RS485 communication.

NOTE: For cooling only unit, there is no need to connect the B and D terminals.

NOTE: When outdoor defrosts, D of outdoor unit will send 24V signal to avoid cold winds.

NOTE: L must be connected and connected to the outdoor unit.

NOTE: Breaker must be incorporated in the fixed wiring in accordance with the wiring rules.

NOTE: When installing electric heating, M6 screws are required for grounding screws.

WARNING

- ①. High and low voltage wires should be led through different rubber rings of the electric box cover.
- ②. Do not bundle up the thermostat wires or lay them side by side, otherwise errors will occur.
- ③. High and low voltage wires should be secured separately. Secure the former ones with big clamps and the latter ones with small clamps.
- ④. Use screws to tighten up the thermostat wires and power cords of unit on the terminal board. Wrong connection may lead to fire hazard.
- ⑤. If the thermostat wires of unit and power cords are not correctly connected, the air conditioner may get damaged.
- ⑥. Ground the unit through connecting the ground wire.
- ⑦. The units should comply with applicable local and national rules and regulations on power consumption.
- ⑧. When connecting the power cords, make sure the phase sequence of the power supply matches with the corresponding terminals, otherwise the compressor will get reversed and operate abnormally.

5 Installation Check and Trial Run

5.1 Checking Items after Installation

Items to be checked	Problems might happen due to improper installation	Check
Check if each parts of the unit have been installed reliably.	The unit might fall off, vibrate or emit noise.	
Check if the unit has passed through leakage test.	It may cause deficiency of cooling (heating) capacity.	
Check if the unit has been insulated properly.	It may cause condensation and water drop.	
Check if the water can be drained fluently.	It may cause condensation and water drop.	
Check if the power voltage accords with that on the nameplate.	Malfunction might happen and parts might be burned.	
Check if the wiring and pipe line has been installed correctly.	Malfunction might happen and parts might be burned.	
Check if the unit has been earthed soundly.	Hazard of electricity leakage.	
Check if the wiring conforms to the wire gage.	Malfunction might happen and parts might be burned.	
Check if there is obstruction blocking the air inlet/outlet.	It may cause deficiency of cooling (heating) capacity.	
Check if the piping length and refrigeration charging volume has been recorded.	Uncertain about the refrigerant charging volume.	
Check if the piping connection and valves have been set properly.	It may cause unit abnormality and damage the unit.	
Make sure there is no crack among air return and supply pipe.	It may cause air leak, vibration and noise.	
Check if the panel is mounted firmly.	It may cause air leak, vibration and condensation.	

5.2 Trial Run

5.2.1 Preparative for Trial Run

- (1) Never power on the unit until all the installation work has been done.
- (2) All the control circuit and wiring has been connected correctly and soundly. Valves on the gas and liquid line should be completely open.
- (3) All the scattered objects should be removed, especially metal filing, thrum and clip.
- (4) Check if the unit appearance and piping system has been damaged during transportation or handling.
- (5) Check if the terminals are loose and the phases are correct.

5.2.2 Trial Run

- (1) Trial run can be operated by professional personnel only after above items have been checked (items to be checked as per actual condition).
- (2) Power on the unit and press ON/OFF button to activate.
- (3) After compressor starting up, please immediately stop the unit when abnormal sound emits.
- (4) Trial run under several modes and check if the unit operates normally.

6 Common Malfunction and Elimination

If the unit doesn't run normally, please check the following items before ask for service.

Phenomenon	Reason	Treatment
The unit can not be activated.	The unit doesn't connect with power supply.	Connect with power supply.
	Low voltage.	Check if circuit voltage is within rated scope.
	Fuse broken or breaker trips off.	Replace fuse or connect breaker.
The unit operates but stops immediately.	Air inlet/outlet of indoor unit is blocked.	Remove obstacles.
Abnormal cooling or heating.	Air inlet/outlet of indoor unit is blocked.	Remove obstacles.
	Inappropriate temperature setting.	Adjust setting at thermostat.
	Doors or windows are opened.	Close the door or windows.
	Direct sunshine.	Draw curtain or louver.
	Too much heat source in the room.	Reduce heat source.
	Filter screen is blocked by dirt.	Clean the filter.

NOTE: If reasons are still unclear after checking above items, please contact Gree service center and show phenomena and models.

Following circumstances are not malfunction.

"Malfunction"		Reason
Unit doesn't run.	When unit is started immediately after it is just turned off.	Overload protection switch makes it run after 3 minutes delay.
	When power is turned on.	Standby operating for about 1 minute.
Mist comes from the unit.	Under cooling.	Indoor high humidity air is cooled rapidly.
The unit emits noise.	Slight cracking sound is heard when just turned on.	It is noise when electronic expansion valve initialization.
	There is consecutive sound when cooling.	That's sound for gas refrigerant flowing in the unit.
	There is sound when unit starts or stops.	That's sound for gas refrigerant stops flowing.
	There is slight and consecutive sound when unit is running or after running.	That's sound for operation of drainage system.
The unit blows out dust.	When unit runs after no operation for a long period.	Dust in indoor unit is blew out.
The unit emits odor.	Operating.	The room odor absorbed by the unit is blew out again.
Indoor unit still runs after switch off.	After every indoor unit receive "stop" signal, fan will keep running.	Indoor fan can be set as "ON" or "AUTO" mode. Under "ON" mode, indoor fan will keep running after switch off the unit.

There are LED indicators on the main board of the indoor unit, which are used to display the operating status and malfunction information of the unit.

LED indicator	Color	Function
Power Indicator	Red	Indoor unit main board is powered on, Power Indicator is on.
Running Indicator	Green	After detecting the indoor fan turn-on signal, the running indicator light is on, when detecting the indoor fan turning-off signal, the running indicator light is off. When detecting a system failure, the running indicator light flashes.

LED indicator	Color	Function
Refrigerant Leakage Indicator	Orange	When detecting the refrigerant leakage protection, refrigerant sensor failure and refrigerant sensor communication failure, the Refrigerant Leakage Indicator light displays the fault type. Otherwise it will always flash.
Communication Indicator	Yellow	Flash when receiving the communication data, otherwise it will be steady on to display the fault type.

Different running indicator flashing light means different system failure.

Malfunction	LED indicator	Running Indicator status	Remark
Indoor unit refrigerant leakage protection	Refrigerant Leakage Indicator	Light out 3S then flash once	Flash means light on 0.5S then light out 0.5S
Refrigerant sensor error		Light out 3S then flash twice	
Refrigerant sensor communication error		Light out	-
Communication error	Communication Indicator	Steady on	Indoor unit and outdoor unit communication error
Indoor Jumper cap failure	Running Indicator	Light out 3S then flash once	Flash means light on 0.5S then light out 0.5S
Indoor fan failure		Light out 3S then flash twice	
Adhesion protection by electric heating		Light out 3S then flash three times.	
Indoor ambient temperature sensor error		Light out 6S then flash once	
Indoor pipe temperature sensor error		Light out 6S then flash twice	
Indoor air outlet temperature sensor error		Light out 6S then flash three times.	
Evaporator inlet pipe temperature sensor error		Light out 6S then flash four times.	
Evaporator outlet pipe temperature sensor error		Light out 6S then flash five times.	

7 Maintenance and Care

Regular check, maintenance and care should be performed by professional personnel, which will prolong the unit life span.

7.1 Drain Pipe

Regularly check if the drain pipe is clogged in order to drain condensate smoothly.

7.2 Notice before Seasonal Use

- (1) Check if the inlet/outlet of the indoor unit is clogged.
- (2) Check if the ground wire is earthed reliably.
- (3) Check if the filter screen has been set soundly.
- (4) Check if the unit is installed firmly. If there is something abnormal, please contact the local appointed service center.

7.3 Maintenance after Seasonal Use

- (1) Cut off main power supply of the unit.
- (2) Clean filter screen of indoor units.
- (3) Clean the dust of sundries on the indoor units.
- (4) In the event of rusting, use the anti-rust paint to stop spreading of rust.

7.4 Parts Replacement

WARNING

Do not use means to accelerate the defrosting process or to clean, other than those recommended by the manufacturer. The appliance shall be stored in a room without continuously operating ignition sources (for example: open flames, an operating gas appliance or an operating electric heater. Do not pierce or burn. Be aware that refrigerants may not contain an odour.

7.5 Unventilated Areas

WARNING

If appliances with A2L REFRIGERANTS connected via an air duct system to one or more rooms are installed in a room with an area less than Amin, that room shall be without continuously operating open flames (for

example an operating gas appliance) or other POTENTIAL IGNITION SOURCES (for example an operating electric heater, hot surfaces). A flame-producing device may be installed in the same space if the device is provided with an effective flame arrest;

⚠ WARNING “Auxiliary devices which may be a POTENTIAL IGNITION SOURCE shall not be installed in the duct work. Examples of such POTENTIAL IGNITION SOURCES are hot surfaces with a temperature exceeding 648 °C and electric switching devices”;

⚠ WARNING That only auxiliary devices approved by the appliance manufacturer or declared suitable with the refrigerant shall be installed in connecting ductwork.

8 After-Sales Service

In case the air-conditioning unit you bought has any quality problem or you have any inquiry, please contact the local after-sales service agency designated by factory.

Warranty should meet the following requirements:

- (1) First run of the unit should be operated by professional personnel from factory appointed service center.
- (2) Only factory manufactured accessories can be used on the machine.
- (3) All the instructions listed in this manual should be followed.
- (4) Warranty will be automatically invalid if fails to obey any item mentioned above.

9 Qualification of Worker

The manual shall contain specific information about the required qualification of the working personnel for maintenance, service and repair operations. Every working procedure that affects safety means shall only be carried out by competent persons. The training of these procedures is carried out by national training organisations or manufacturers that are accredited to teach the relevant national competency standards that may be set in legislation. The achieved competence should be documented by a certificate.

Examples for such working procedures are:

- (1) breaking into the refrigerating circuit;
- (2) opening of sealed components;
- (3) opening of ventilated enclosures.

10 Transportation, Marking and Storage for Units that Employ Flammable Refrigerants

10.1 General

The following information is provided for units that employ FLAMMABLE REFRIGERANTS.

10.2 Transport of Equipment Containing Flammable Refrigerants

Attention is drawn to the fact that additional transportation regulations may exist with respect to equipment containing flammable gas. The maximum number of pieces of equipment or the configuration of the equipment permitted to be transported together will be determined by the applicable transport regulations.

10.3 Marking of Equipment Using Signs

Signs for similar appliances used in a work area are generally addressed by local regulations and give the minimum requirements for the provision of safety and/or health signs for a work location.

All required signs are to be maintained and employers should ensure that employees receive suitable and sufficient instruction and training on the meaning of appropriate safety signs and the actions that need to be taken in connection with these signs.

The effectiveness of signs should not be diminished by too many signs being placed together.

Any pictograms used should be as simple as possible and contain only essential details.

10.4 Disposal of Equipment Using Flammable Refrigerants

See national regulations.

10.5 Storage of Equipment/Appliances

The storage of the appliance should be in accordance with the applicable regulations or instructions, whichever is more stringent.

10.6 Storage of Packed (Unsold) Equipment

Storage package protection should be constructed in such a way that mechanical damage to the equipment inside the package will not cause a leak of the REFRIGERANT CHARGE.

The maximum number of pieces of equipment permitted to be stored together will be determined by local regulations

11 Information on Servicing

11.1 General

The manual shall contain specific information for service personnel according to 11.2 to 11.10.

11.2 Checks to the Area

Prior to beginning work on systems containing FLAMMABLE REFRIGERANTS, safety checks are necessary to ensure that the risk of ignition is minimised. For repair to the REFRIGERATING SYSTEM, 11.3 to 11.7 shall be completed prior to conducting work on the system.

11.3 Work Procedure

Work shall be undertaken under a controlled procedure so as to minimise the risk of a flammable gas or vapour being present while the work is being performed.

11.4 General Work Area

All maintenance staff and others working in the local area shall be instructed on the nature of work being carried out. Work in confined spaces shall be avoided.

11.5 Checking for Presence of Refrigerant

The area shall be checked with an appropriate refrigerant detector prior to and during work, to ensure the technician is aware of potentially toxic or flammable atmospheres. Ensure that the leak detection equipment being used is suitable for use with all applicable refrigerants, i.e. non-sparking, adequately sealed or intrinsically safe.

11.6 Presence of Fire Extinguisher

If any hot work is to be conducted on the refrigerating equipment or any associated parts, appropriate fire extinguishing equipment shall be available to hand. Have a dry powder or CO₂ fire extinguisher adjacent to the charging area.

11.7 No Ignition Sources

No person carrying out work in relation to a REFRIGERATING SYSTEM which involves exposing any pipe work shall use any sources of ignition in such a manner that it may lead to the risk of fire or explosion. All possible ignition sources, including cigarette smoking, should be kept sufficiently far away from the site of installation, repairing, removing and disposal, during which refrigerant can possibly be released to the surrounding space. Prior to work taking place, the area around the equipment is to be surveyed to make sure that there are no flammable hazards or ignition risks. "No Smoking" signs shall be displayed.

11.8 Ventilated Area

Ensure that the area is in the open or that it is adequately ventilated before breaking into the system or conducting any hot work. A degree of ventilation shall continue during the period that the work is carried out. The ventilation should safely disperse any released refrigerant and preferably expel it externally into the atmosphere.

11.9 Checks to the Refrigerating Equipment

Where electrical components are being changed, they shall be fit for the purpose and to the correct specification. At all times the manufacturer's maintenance and service guidelines shall be followed. If in doubt, consult the manufacturer's technical department for assistance. The following checks shall be applied to installations using FLAMMABLE REFRIGERANTS:

- (1) The actual REFRIGERANT CHARGE is in accordance with the room size within which the refrigerant containing parts are installed;
- (2) The ventilation machinery and outlets are operating adequately and are not obstructed;
- (3) If an indirect refrigerating circuit is being used, the secondary circuit shall be checked for the presence of refrigerant;

- (4) Marking to the equipment continues to be visible and legible. Markings and signs that are illegible shall be corrected;
- (5) Refrigerating pipe or components are installed in a position where they are unlikely to be exposed to any substance which may corrode refrigerant containing components, unless the components are constructed of materials which are inherently resistant to being corroded or are suitably protected against being so corroded.

11.10 Checks to Electrical Devices

Repair and maintenance to electrical components shall include initial safety checks and component inspection procedures. If a fault exists that could compromise safety, then no electrical supply shall be connected to the circuit until it is satisfactorily dealt with. If the fault cannot be corrected immediately but it is necessary to continue operation, an adequate temporary solution shall be used. This shall be reported to the owner of the equipment so all parties are advised. Initial safety checks shall include:

- (1) That capacitors are discharged: this shall be done in a safe manner to avoid possibility of sparking;
- (2) That no live electrical components and wiring are exposed while charging, recovering or purging the system;
- (3) That there is continuity of earth bonding.

WARNING

Only auxiliary devices approved by the appliance manufacturer or declared suitable with the refrigerant shall be installed in connecting ductwork for duct connected appliances, false ceilings or drop ceilings may be used as a return air plenum if a REFRIGERANT DETECTION SYSTEM is provided in the appliance and any external connections are also provided with a sensor immediately below the return air plenum duct joint.

11.11 Pipe Installation

That pipe-work including piping material, pipe routing, and installation shall include protection from physical damage in operation and service, and be in compliance with national and local codes and standards, such as ASHRAE 15, ASHRAE 15.2, IAPMO Uniform Mechanical Code, ICC International Mechanical

Code, or CSA B52. All field joints shall be accessible for inspection prior to being covered or enclosed.

That after completion of field piping for split systems, the field pipework shall be pressure tested with an inert gas and then vacuum tested prior to refrigerant charging, according to the following requirements field-made refrigerant joints indoors shall be tightness tested. The test method shall have a sensitivity of 5 grams per year of refrigerant or better under a pressure of at least 0,25 times the maximum allowable pressure. No leak shall be detected.

The minimum test pressure for the low side of the system shall be the low side design pressure and the minimum test pressure for the high side of the system shall be the high side design pressure, unless the high side of the system, cannot be isolated from the low side of the system in which case the entire system shall be pressure tested to the low side design pressure.

12 Sealed Electrical Components shall be Replaced

13 Intrinsically Safe Components must be Replaced

14 Cabling

Check that cabling will not be subject to wear, corrosion, excessive pressure, vibration, sharp edges or any other adverse environmental effects. The check shall also take into account the effects of aging or continual vibration from sources such as compressors or fans.

15 Detection of Flammable Refrigerants

Under no circumstances shall potential sources of ignition be used in the searching for or detection of refrigerant leaks. A halide torch (or any other detector using a naked flame) shall not be used.

The following leak detection methods are deemed acceptable for all refrigerant systems.

Electronic leak detectors may be used to detect refrigerant leaks but, in the case of FLAMMABLE REFRIGERANTS, the sensitivity may not be adequate, or may need re-calibration. (Detection equipment shall be calibrated in a refrigerant-free area.) Ensure that the detector is not a potential source of ignition and is suitable for the refrigerant used. Leak detection equipment shall be set at a

percentage of the LFL of the refrigerant and shall be calibrated to the refrigerant employed, and the appropriate percentage of gas (25 % maximum) is confirmed.

Leak detection fluids are also suitable for use with most refrigerants but the use of detergents containing chlorine shall be avoided as the chlorine may react with the refrigerant and corrode the copper pipe-work.

NOTE Examples of leak detection fluids are

- (1) Bubble method.
- (2) Fluorescent method agents.

If a leak is suspected, all naked flames shall be removed/extinguished.

If a leakage of refrigerant is found which requires brazing, all of the refrigerant shall be recovered from the system, or isolated (by means of shut off valves) in a part of the system remote from the leak. Removal of refrigerant shall be according to Clause 16.

16 Removal and Evacuation

When breaking into the refrigerant circuit to make repairs - or for any other purpose - conventional procedures shall be used. However, for flammable refrigerants it is important that best practice be followed, since flammability is a consideration. The following procedure shall be adhered to: The refrigerant charge shall be recovered into the correct recovery cylinders if venting is not allowed by local and national codes. For appliances containing flammable refrigerants, the system shall be purged with oxygen-free nitrogen to render the appliance safe for flammable refrigerants. This process might need to be repeated several times.

- safely remove refrigerant following local and national regulations;
- evacuate;
- purge the circuit with inert gas (optional for A2L);
- evacuate (optional for A2L);
- continuously flush or purge with inert gas when using flame to open circuit;

and

- open the circuit.

Compressed air or oxygen shall not be used for purging refrigerant systems.

For appliances containing flammable refrigerants, refrigerants purging shall be achieved by breaking the vacuum in the system with oxygen-free nitrogen and

continuing to fill until the working pressure is achieved, then venting to atmosphere, and finally pulling down to a vacuum (optional for A2L). This process shall be repeated until no refrigerant is within the system (optional for A2L). When the final oxygen-free nitrogen charge is used, the system shall be vented down to atmospheric pressure to enable work to take place.

The outlet for the vacuum pump shall not be close to any potential ignition sources, and ventilation shall be available.

17 Charging Procedures

In addition to conventional charging procedures, the following requirements shall be followed.

- (1) Ensure that contamination of different refrigerants does not occur when using charging equipment.
- (2) Hoses or lines shall be as short as possible to minimise the amount of refrigerant contained in them.
- (3) Cylinders shall be kept in an appropriate position according to the instructions.
- (4) Ensure that the REFRIGERATING SYSTEM is earthed prior to charging the system with refrigerant.
- (5) Label the system when charging is complete (if not already).
- (6) Extreme care shall be taken not to overfill the REFRIGERATING SYSTEM.

Prior to recharging the system, it shall be pressure-tested with the appropriate purging gas. The system shall be leak-tested on completion of charging but prior to commissioning. A follow up leak test shall be carried out prior to leaving the site.

18 Decommissioning

Before carrying out this procedure, it is essential that the technician is completely familiar with the equipment and all its detail. It is recommended good practice that all refrigerants are recovered safely.

Prior to the task being carried out, an oil and refrigerant sample shall be taken in case analysis is required prior to re-use of recovered refrigerant. It is essential that electrical power is available before the task is commenced.

- (1) Become familiar with the equipment and its operation) Isolate system electrically.

- (2) Before attempting the procedure, ensure that:
 - 1) Mechanical handling equipment is available, if required, for handling refrigerant cylinders;
 - 2) All personal protective equipment is available and being used correctly;
 - 3) The recovery process is supervised at all times by a competent person;
 - 4) Recovery equipment and cylinders conform to the appropriate standards.
- (3) Pump down refrigerant system, if possible.
- (4) If a vacuum is not possible, make a manifold so that refrigerant can be removed from various parts of the system.
- (5) Make sure that cylinder is situated on the scales before recovery takes place.
- (6) Start the recovery machine and operate in accordance with instructions.
- (7) Do not overfill cylinders (no more than 80 % volume liquid charge).
- (8) Do not exceed the maximum working pressure of the cylinder, even temporarily.
- (9) When the cylinders have been filled correctly and the process completed, make sure that the cylinders and the equipment are removed from site promptly and all isolation valves on the equipment are closed off.
- (10) Recovered refrigerant shall not be charged into another REFRIGERATING SYSTEM unless it has been cleaned and checked.

19 Labelling

Equipment shall be labelled stating that it has been decommissioned and emptied of refrigerant. The label shall be dated and signed. For appliances containing FLAMMABLE REFRIGERANTS, ensure that there are labels on the equipment stating the equipment contains FLAMMABLE REFRIGERANT.

20 Recovery

When removing refrigerant from a system, either for servicing or decommissioning, it is recommended good practice that all refrigerants are removed safely.

When transferring refrigerant into cylinders, ensure that only appropriate refrigerant recovery cylinders are employed. Ensure that the correct number of cylinders for holding the total system charge is available. All cylinders to be used are designated for the recovered refrigerant and labelled for that refrigerant

(i.e. special cylinders for the recovery of refrigerant). Cylinders shall be complete with pressure-relief valve and associated shut-off valves in good working order. Empty recovery cylinders are evacuated and, if possible, cooled before recovery occurs.

The recovery equipment shall be in good working order with a set of instructions concerning the equipment that is at hand and shall be suitable for the recovery of the flammable refrigerant. If in doubt, the manufacturer should be consulted. In addition, a set of calibrated weighing scales shall be available and in good working order. Hoses shall be complete with leak-free disconnect couplings and in good condition.

The recovered refrigerant shall be processed according to local legislation in the correct recovery cylinder, and the relevant waste transfer note arranged. Do not mix refrigerants in recovery units and especially not in cylinders. If compressors or compressor oils are to be removed, ensure that they have been evacuated to an acceptable level to make certain that flammable refrigerant does not remain within the lubricant. The compressor body shall not be heated by an open flame or other ignition sources to accelerate this process. When oil is drained from a system, it shall be carried out safely.



U.S. CONTACT INFORMATION TRADEWINDS, LLC

E-mail: info@twciimate.com

Contractor Support: 888-850-7928 | Mon-Fri 8 AM - 5 PM EST

GREECOMFORT.COM
