

## SUBMITTAL DATA

FXE24HP230V1R32AH / FXE30HP230V1R32AO  
24000 BTU/H Unitary Heat Pump Split System

Job Name	Location	Date
Purchaser	Engineer	
Submitted to	For	
Unit Designation	Schedule No.	

	
FXE24HP230V1R32AH	FXE30HP230V1R32AO

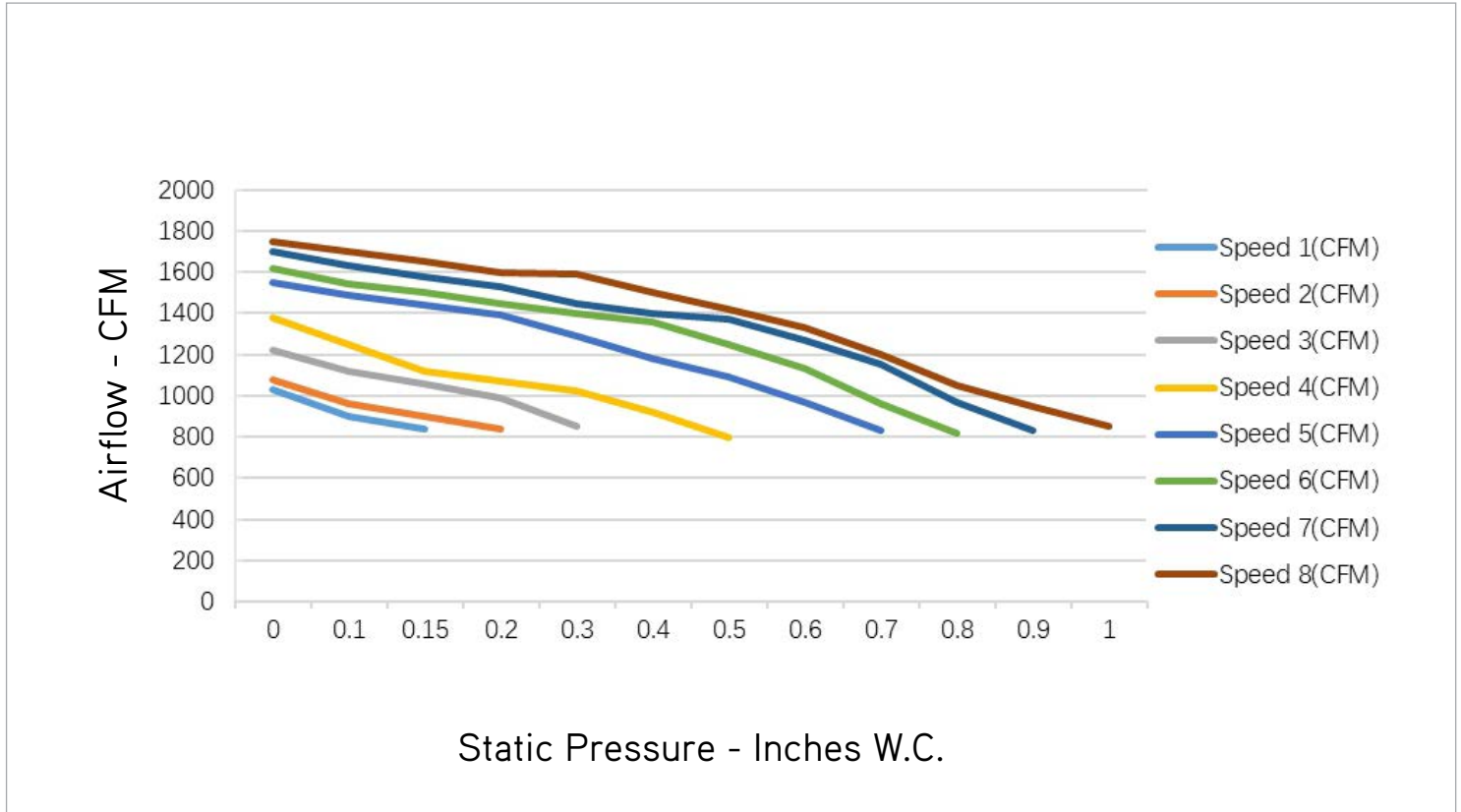
### GENERAL FEATURES

- AHRI Certificate: 216626007
- High Efficiency DC Inverter Technology
- Zero Lot Line Design
- Operation Range: 5°F ~ 118°F
- New R32 Refrigerant
- Multi-Position Air Handler
- RS485 Communication and Universal 24V Control
- Coil (Outdoor) Copper Tube/Aluminum Fin with Anti-Corrosion Coil Coating (Gold Colored Fin - 1500Hr Salt Spray Rating)
- Coil (Indoor) Copper Tube/Aluminum Fin with Anti-Corrosion Coil Coating (Blue Colored Fin - 500Hr Salt Spray Rating)

## SPECIFICATIONS, FEATURES & FUNCTION SUMMARY

SPECIFICATIONS		FXE24HP230V1R32AH / FXE30HP230V1R32AO		FEATURES & FUNCTIONS SUMMARY		FXE24HP230V1R32AH / FXE30HP230V1R32AO				
System Type		HEAT PUMP		Compressor		Inverter				
<b>SYSTEM PERFORMANCE</b>				Ultra Low Frequency Torque Control				Yes		
Cooling Capacity	Min - Max	Btu/h	12,000 - 26,400		Power Factor Correction				Yes	
	Capacity @95°F	Btu/h	24,000		Compressor Type				Rotary	
Heating Capacity	Min - Max	Btu/h	12,000 - 27,000		Outdoor Electronic Expansion Valve (EEV)				Yes	
	Capacity @47°F	Btu/h	24,000		Indoor TXV Control				Yes	
	Capacity @17°F	Btu/h	20,000		Basepan With Electric Heater				Yes	
	Capacity @5°F	Btu/h	19,000		Compressor With Electric Heater				Yes	
SEER2		18		Fin Coating (Outdoor - Golden & Indoor - Blue)				Acrylic Resin		
EER2		11.9		Intelligent Defrosting				Yes		
HSPF2		8.5		Intelligent Preheating				Yes		
COP @5°F		2.0		Low Voltage Startup				Yes		
COP @47°F		3.47		Memory/Power Failure Recovery				Yes		
Cooling Temperature Range		°F	5 - 118		Self Diagnosis				Yes	
Heating Temperature Range		°F	5 - 75		Low Ambient Cooling				No	
Refrigerant Type		R32		24VAC Thermostat Compatible				Yes		
<b>INDOOR UNIT</b>		<b>FXE24HP230V1R32AH</b>		Indoor Fan Type				Centrifugal		
Power Supply	VAC	208-230V / 1Ph / 60 Hz		Multi Fan Speeds				5		
Sound Pressure Level	dB(A)	47		Auxiliary Electrical Heater				Optional		
Control Voltage	VAC	24								
Rated Current Cooling	A	10								
Rated Current Heating	A	10								
MCA	A	4.7								
MOCP	A	15								
Electric Heater (Optional)	kW	6								
Air Flow	CFM	800								
External Static Pressure (Up to)	In W.c.	1.0								
Dehumidification	pt/hr	4.25								
Drain Piping	in	Φ1×0.05								
External Dimensions (W x H x D)	in	18-1/8 x 21-1/4 x 43-1/2								
Package Dimension (W x H x D)	in	20-5/8 x 26 x 45-5/8								
Net Weight	lbs	135.6								
Gross Weight	lbs	144.4								
<b>OUTDOOR UNIT</b>		<b>FXE30HP230V1R32AO</b>								
Power Supply	VAC	208-230V / 1Ph / 60 Hz								
Sound Pressure Level	dB(A)	58								
Control Voltage	VAC	24								
Rated Current Cooling	A	11.6								
Rated Current Heating	A	11.6								
MCA	A	27.7								
MOCP	A	30								
Compressor Type	GREE G20 / Double Cylinder / 1 - Stage Inverter									
External Dimensions (W x H x D)	in	36-1/4×14-9/16×29-3/8								
Package Dimension (W x H x D)	in	42-1/2 x 19 x 31-1/2								
Net Weight	lbs	113.5								
Gross Weight	lbs	122.4								
Refrigerant Charge - R32	oz	67.0								
Additional Charge	oz/ft	0.215								
<b>REFRIGERANT PIPING</b>										
Line Set Size (Liquid - Gas) - Flared Connections	in	3/8 - 3/4								
Pre-Charge Length	ft	25								
Pipe Length (Min - Max)	ft	10 - 98								
Max. Pipe Elevation	ft	49								

## FAN PERFORMANCE



**NOTE:**

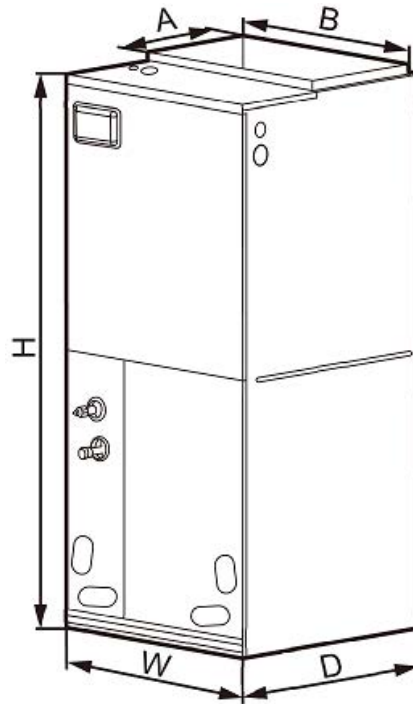
1. Above chart CFM ratings are based on dry coil with factory filter installed.
2. For wet coil CFM ratings, multiply the CFM by 0.96 correction factor.

## DIMENSIONS

### INDOOR UNIT

Unit: inch

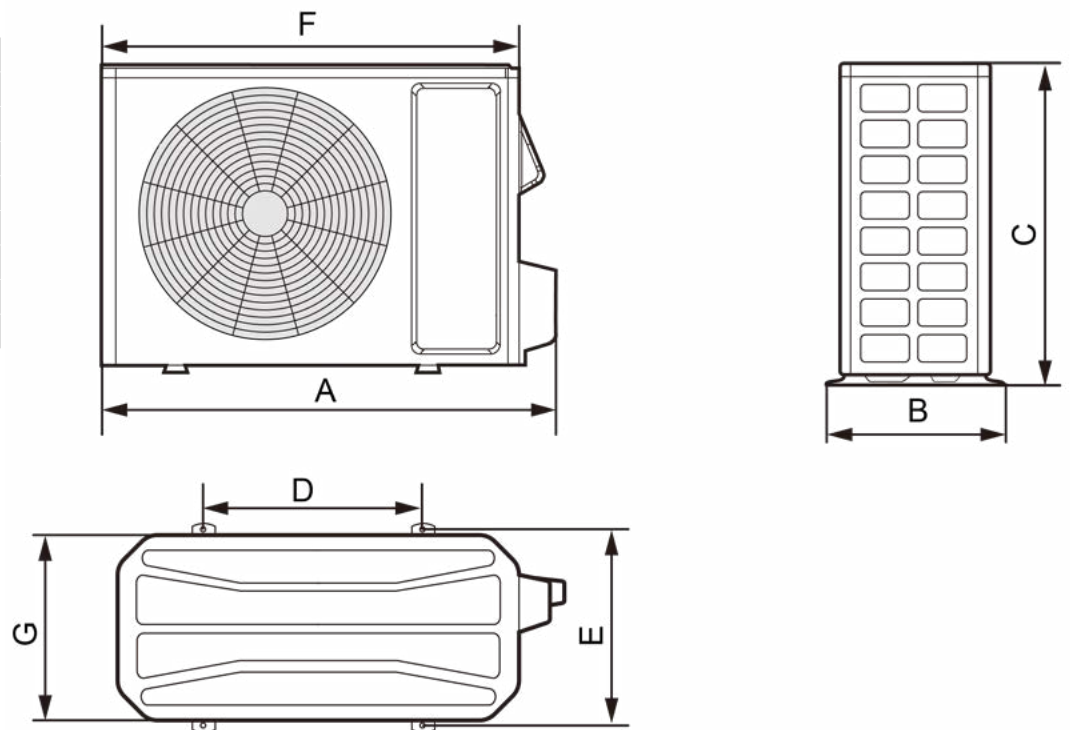
FXE24HP230V1R32AH	
DIMENSIONS	
A	11-5/8
B	16-3/4
H	43-1/2
W	18-1/8
D	21-1/4



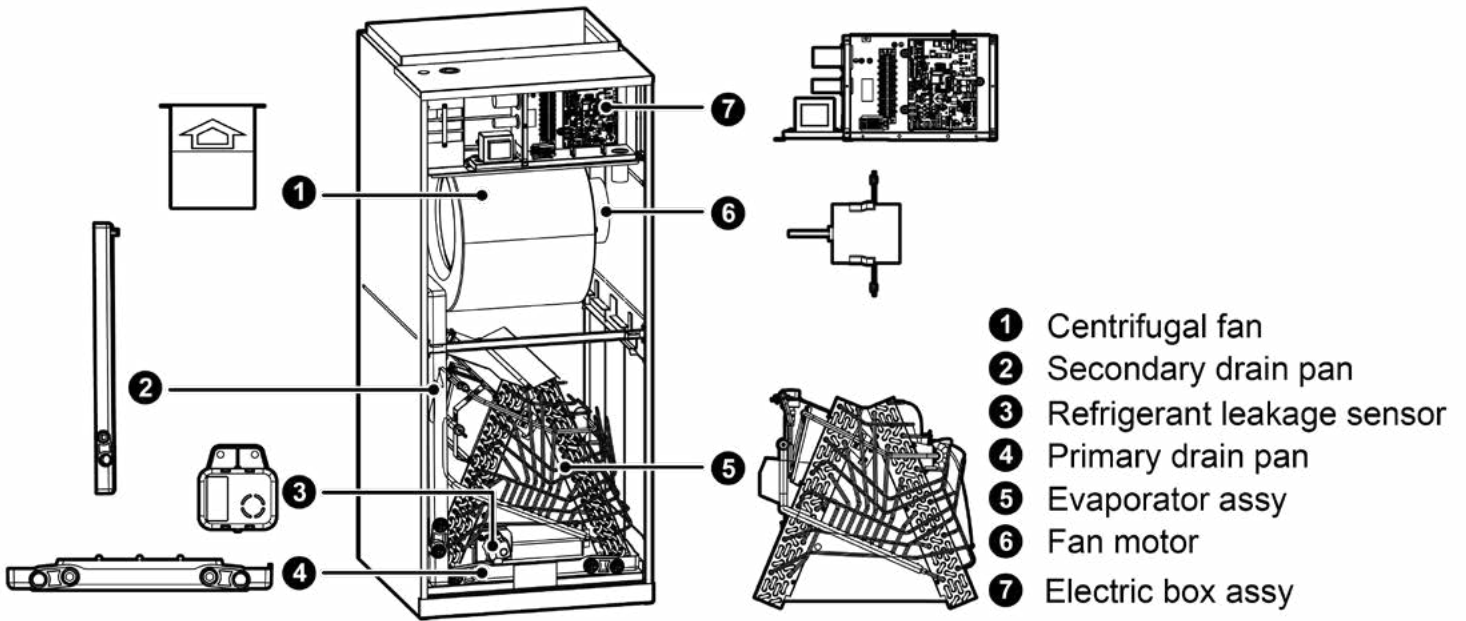
### OUTDOOR UNIT

Unit: inch

FXE30HP230V1R32AO	
DIMENSIONS	
A	39-3/8
B	16-13/16
C	29-3/8
D	24
E	15-9/16
F	36-1/4
G	14-9/16



## ACCESSORY HEATER AND GENERAL INFORMATION



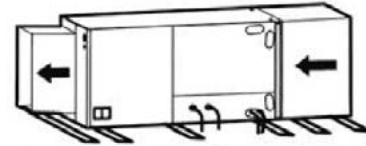
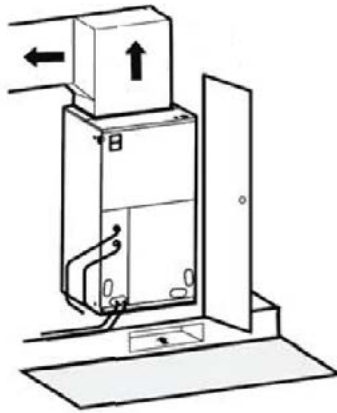
MODEL	Heat Kit Model	Part Number	Electric Heat (kW)		Min. Circuit Ampacity (A)		Max Fuse or Breaker (A)	
			208V	230V	208V	230V	208V	230V
FXE24HP230V1R32AH	320004060223	FLEXA2LHTR06	4.5	5.5	32	34.5	35	35

# CLEARANCES

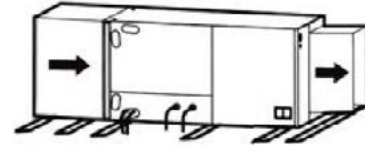
## INDOOR UNIT

Minimum clearance

FRONT	> 24
-------	------



Horizontal Left Configuration - No Modification Needed



Horizontal Right Configuration - Must Relocate Drain Pan

**NOTE:**

Allow a minimum of 24" in front of the unit for service clearance. When installing in an area directly over a finished ceiling (such as an attic), an emergency drain pan is required directly under the unit. **See local and state codes for requirements.** When installing this unit in an area that may become wet, elevate the unit with a sturdy, non-porous material. In installations that may lead to physical damage (i.e. a garage) it is advised to install a protective barrier to prevent such damage. This air handler is designed for a complete supply and return ductwork system.

## OUTDOOR UNIT

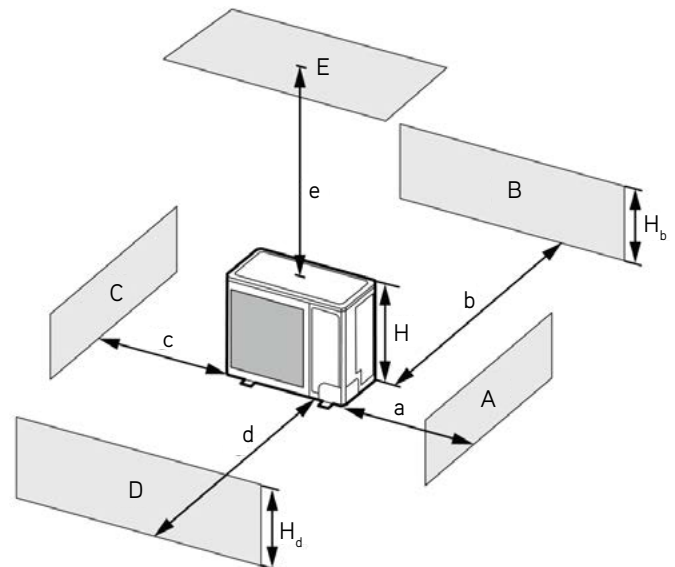
Minimum clearance

**NOTE:**

Install the Outdoor Unit **2 Inches** Above the Expected Snow Line

1. When one outdoor unit is to be installed.

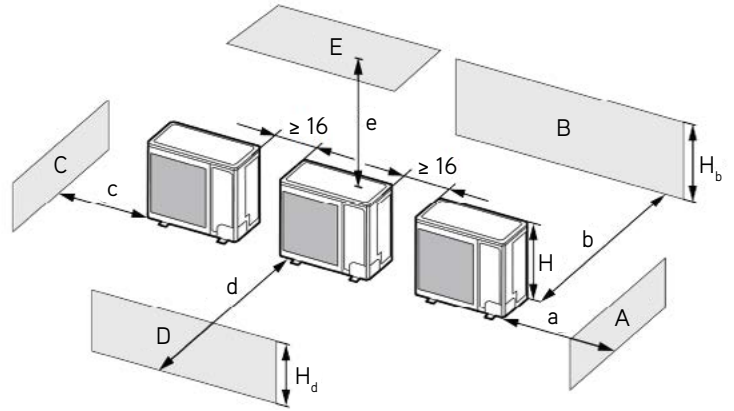
A - E	$H_b$ $H_d$ H		(in)				
			a	b	c	d	e
B	-	-	-	$\geq 4$	-	-	-
A, B, C	-	-	$\geq 12$	$\geq 4$	$\geq 4$	-	-
B, E	-	-	-	$\geq 4$	-	-	$\geq 40$
A, B, C, E	-	-	$\geq 12$	$\geq 6$	$\geq 6$	-	$\geq 40$
D	-	-	-	-	-	$\geq 40$	-
D, E	-	-	-	-	-	$\geq 40$	$\geq 40$
B, D	$H_b < H_d$	$H_d < H$	-	$\geq 4$	-	$\geq 40$	-
	$H_b > H_d$	$H_d > H$	-	$\geq 4$	-	$\geq 40$	-
B, D, E	$H_b < H_d$	$H_b \leq 1/2H$	-	$\geq 10$	-	$\geq 80$	$\geq 40$
		$1/2H < H_b \leq H$	-	$\geq 10$	-	$\geq 80$	$\geq 40$
		$H_b > H$	Prohibited				
	$H_b > H_d$	$H_b \leq 1/2H$	-	$\geq 4$	-	$\geq 80$	$\geq 40$
		$1/2H < H_b \leq H$	-	$\geq 8$	-	$\geq 80$	$\geq 40$
		$H_b > H$	Prohibited				



# CLEARANCES

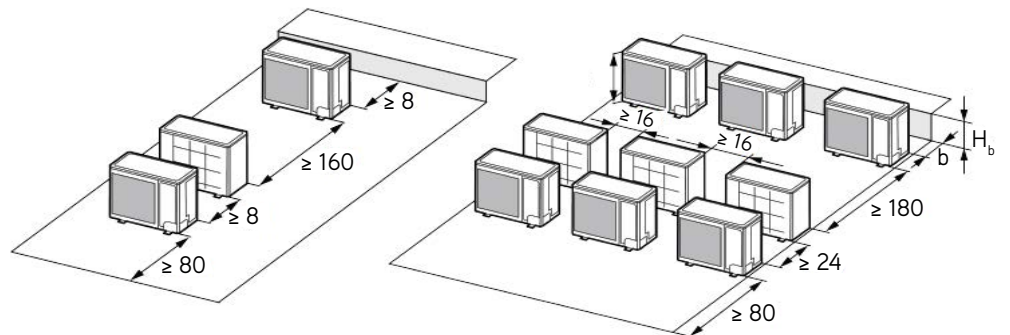
2. When two or more outdoor units are to be installed side by side.

A - E	$H_b$ $H_d$ $H$		(in)				
			a	b	c	d	e
A, B, C	-		$\geq 12$	$\geq 12$	$\geq 40$	-	-
A, B, C, E	-		$\geq 12$	$\geq 12$	$\geq 40$	-	$\geq 40$
D	-		-	-	-	$\geq 80$	-
D, E	-		-	-	-	$\geq 80$	$\geq 40$
B, D	$H_b < H_d$	$H_d > H$	-	$\geq 12$	-	$\geq 80$	-
	$H_b > H_d$	$H_d \leq 1/2H$	-	$\geq 10$	-	$\geq 80$	-
B, D, E	$H_b < H_d$	$1/2H < H_b \leq H$	-	$\geq 12$	-	$\geq 100$	-
		$H_b \leq 1/2H$	-	$\geq 12$	-	$\geq 80$	$\geq 40$
		$H_b > H$	Prohibited				
	$H_b > H_d$	$1/2H < H_b \leq H$	-	$\geq 12$	-	$\geq 100$	$\geq 40$
		$H_b \leq 1/2H$	-	$\geq 10$	-	$\geq 100$	$\geq 40$
		$H_b > H$	Prohibited				

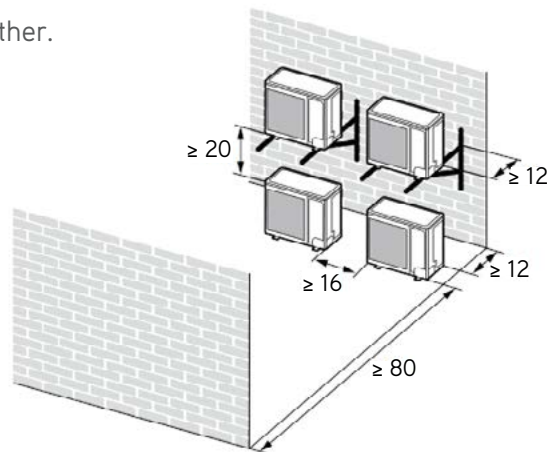


3. When outdoor units are installed in rows.

$H_b$ $H_d$	(in)
$H_b \leq 1/2H$	$b \leq 10$
$1/2H < H_b \leq H$	$b \leq 12$
$H_b > H_d$	Prohibited



4. When outdoor units are installed one above another.



Specifications are subject to change without notice. Manufacturer reserves the right to discontinue or modify specifications or designs without notice or without incurring obligations. All Rights reserved.