

## SUBMITTAL DATA

FXE60HP230V1R32AH / FXE60HP230V1R32AO  
60000 BTU/H Unitary Heat Pump Split System

Job Name	Location	Date
Purchaser	Engineer	
Submitted to	For	
Unit Designation	Schedule No.	

	
FXE60HP230V1R32AH	FXE60HP230V1R32AO

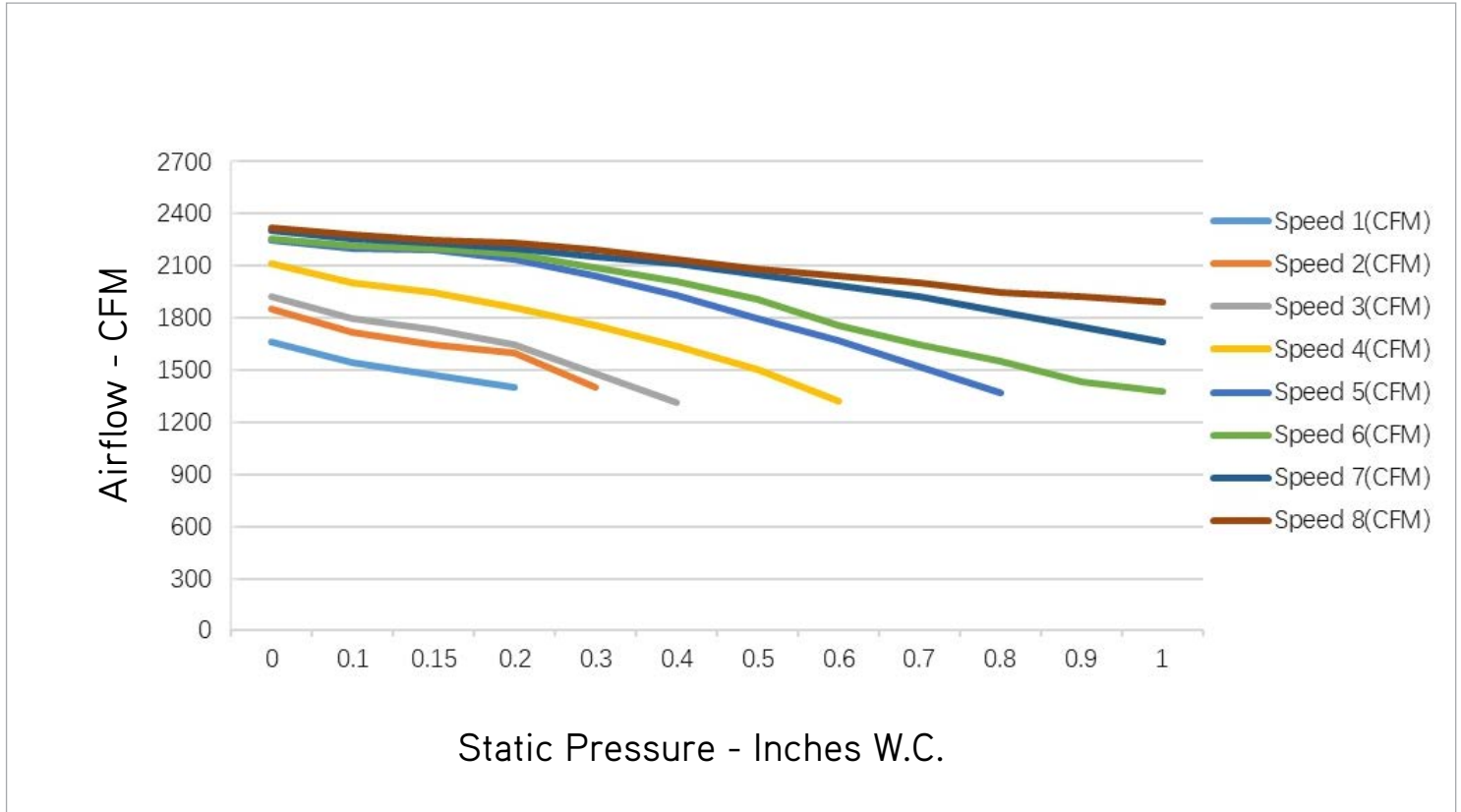
### GENERAL FEATURES

- AHRI Certificate: 216626011
- High Efficiency DC Inverter Technology
- 24VAC Thermostat Compatible
- Zero Lot Line Design
- Match with GREE or Competitive Indoor Unit
- New R32 Refrigerant
- Designed for New Construction or Replacement Market
- Low Ambient Cooling down to -15°C (5°F)
- Low Ambient Heating down to -30°C (-22°F)
- Coil (Outdoor) Copper Tube/Aluminum Fin with Anti-Corrosion Coil Coating (Gold Colored Fin - 1500Hr Salt Spray Rating)
- Coil (Indoor) Copper Tube/Aluminum Fin with Anti-Corrosion Coil Coating (Blue Colored Fin - 500Hr Salt Spray Rating)

## SPECIFICATIONS, FEATURES & FUNCTION SUMMARY

SPECIFICATIONS		FXE60HP230V1R32AH / FXE60HP230V1R32AO		FEATURES & FUNCTIONS SUMMARY		FXE60HP230V1R32AH / FXE60HP230V1R32AO				
System Type		HEAT PUMP		Compressor		Inverter				
<b>SYSTEM PERFORMANCE</b>				Ultra Low Frequency Torque Control				Yes		
Cooling Capacity	Min - Max	Btu/h	27,000 - 59,000		Power Factor Correction				Yes	
	Capacity @95°F	Btu/h	54,000		Compressor Type				Rotary	
Heating Capacity	Min - Max	Btu/h	27,000 - 59,000		Outdoor Electronic Expansion Valve (EEV)				Yes	
	Capacity @47°F	Btu/h	54,000		Indoor TXV Control				Yes	
	Capacity @17°F	Btu/h	37,000		Basepan With Electric Heater				Yes	
	Capacity @5°F	Btu/h	36,000		Compressor With Electric Heater				Yes	
SEER2		16.5		Fin Coating (Outdoor - Golden & Indoor - Blue)				Acrylic Resin		
EER2		11.7		Intelligent Defrosting				Yes		
HSPF2		9.0		Intelligent Preheating				Yes		
COP @5°F		2.0		Low Voltage Startup				Yes		
COP @47°F		3.40		Memory/Power Failure Recovery				Yes		
Cooling Temperature Range		°F	5 - 118		Self Diagnosis				Yes	
Heating Temperature Range		°F	5 - 75		Low Ambient Cooling				No	
Refrigerant Type		R32		24VAC Thermostat Compatible				Yes		
<b>INDOOR UNIT</b>		<b>FXE60HP230V1R32AH</b>		Indoor Fan Type				Centrifugal		
Power Supply		VAC	208-230V / 1Ph / 60 Hz		Multi Fan Speeds				5	
Sound Pressure Level		dB(A)	54		Auxiliary Electrical Heater				Optional	
Control Voltage		VAC	24							
Rated Current Cooling		A	21							
Rated Current Heating		A	21							
MCA		A	7.7							
MOCP		A	15							
Electric Heater (Optional)		kW	6, 9, 12							
Air Flow		CFM	1500							
External Static Pressure (Up to)		In W.c.	1.0							
Dehumidification		pt/hr	9.56							
Drain Piping		in	Φ1×0.05							
External Dimensions (W x H x D)		in	24-13/16 × 21-1/4 × 52							
Package Dimension (W x H x D)		in	27-1/4 × 26 × 54-3/16							
Net Weight		lbs	199.5							
Gross Weight		lbs	218.0							
<b>OUTDOOR UNIT</b>		<b>FXE60HP230V1R32AO</b>								
Power Supply		VAC	208-230V / 1Ph / 60 Hz							
Sound Pressure Level		dB(A)	63							
Control Voltage		VAC	24							
Rated Current Cooling		A	21.1							
Rated Current Heating		A	21.3							
MCA		A	39.9							
MOCP		A	45							
Compressor Type		GREE G20 / Double Cylinder / 1 - Stage Inverter								
External Dimensions (W x H x D)		in	35-7/16 × 13-3/8 × 49-5/8							
Package Dimension (W x H x D)		in	40-11/16 × 17-3/8 × 55-3/16							
Net Weight		lbs	214							
Gross Weight		lbs	236							
Refrigerant Charge - R32		oz	148.2							
Additional Charge		oz/ft	0.215							
<b>REFRIGERANT PIPING</b>										
Line Set Size (Liquid - Gas) - Flared Connections		in	3/8 - 3/4							
Pre-Charge Length		ft	25							
Pipe Length (Min - Max)		ft	10 - 98							
Max. Pipe Elevation		ft	49							

## FAN PERFORMANCE



**NOTE:**

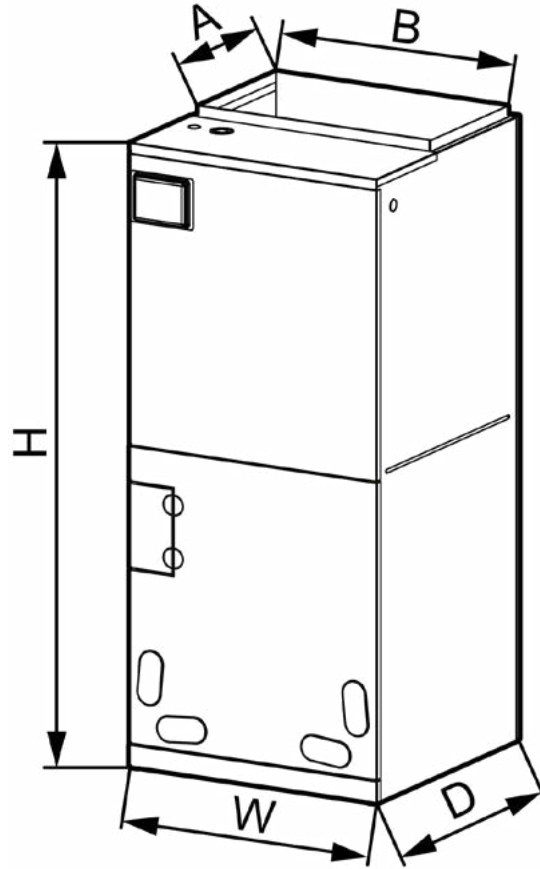
1. Above chart CFM ratings are based on dry coil with factory filter installed.
2. For wet coil CFM ratings, multiply the CFM by 0.96 correction factor.

## DIMENSIONS

### INDOOR UNIT

Unit: inch

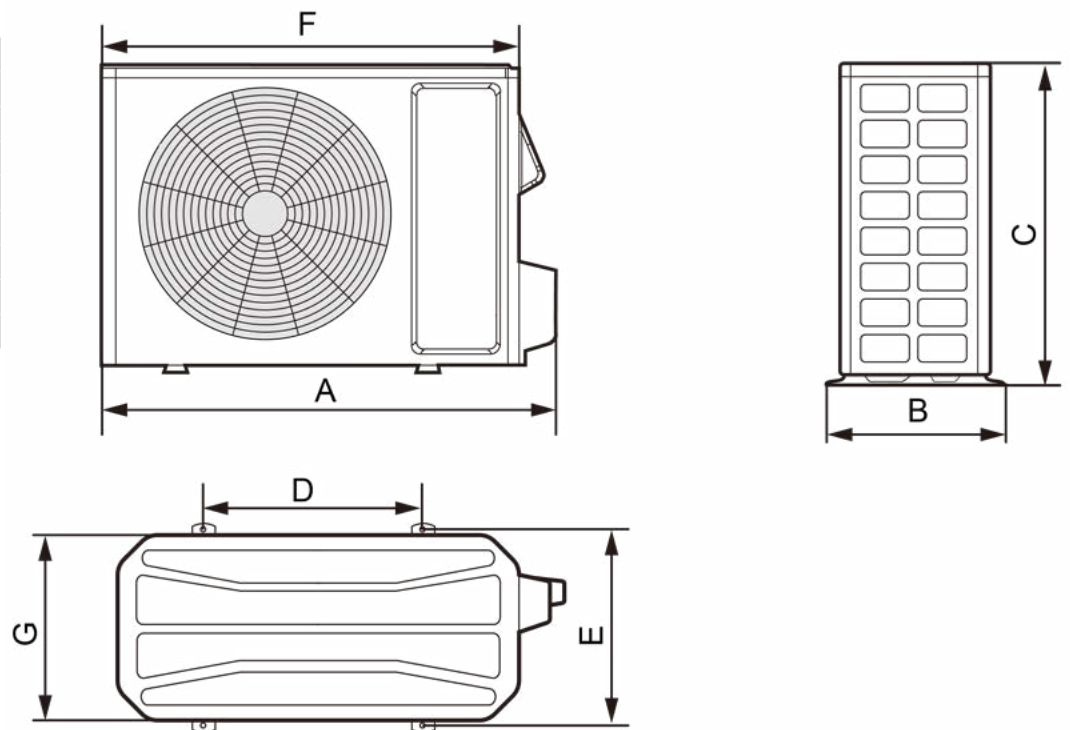
FXE60HP230V1R32AH	
DIMENSIONS	
A	11-5/8
B	20
H	52
W	24-13/16
D	21-1/4



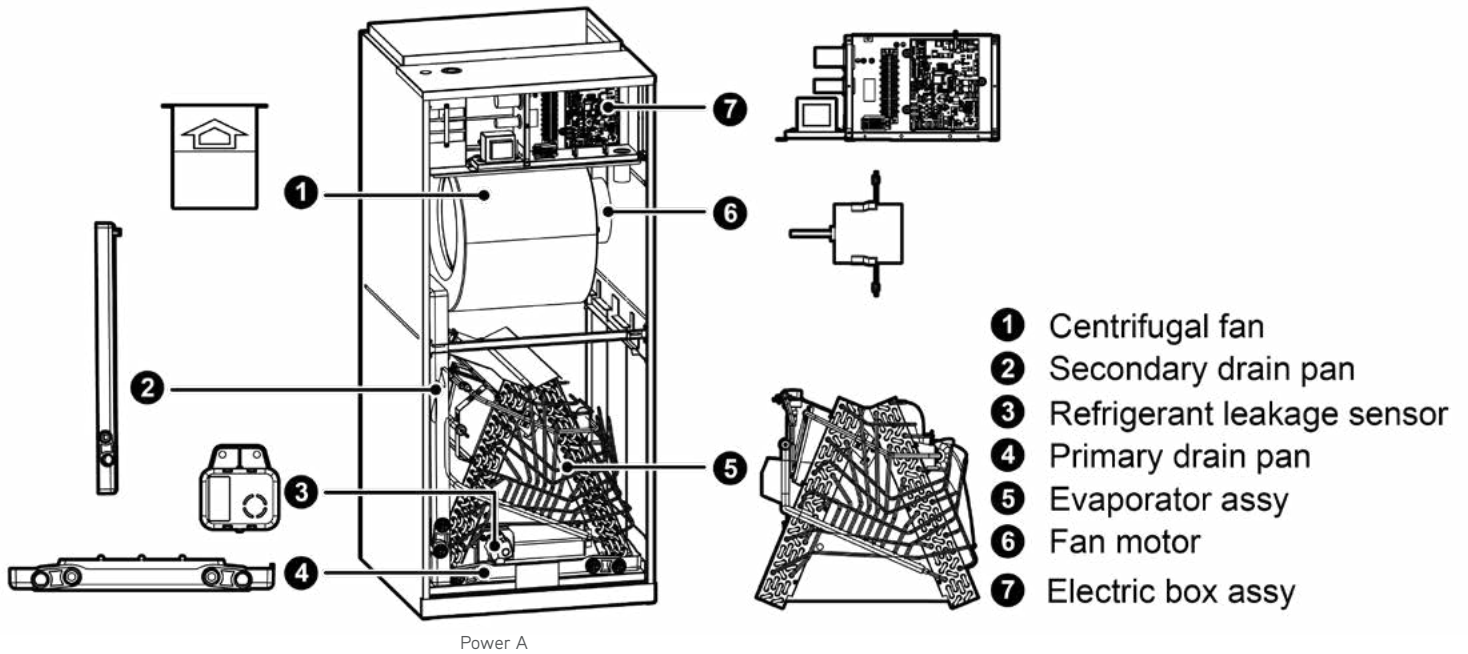
### OUTDOOR UNIT

Unit: inch

FXE60HP230V1R32AO	
DIMENSIONS	
A	39-3/8
B	16-13/16
C	29-3/8
D	24
E	15-9/16
F	36-1/4
G	14-9/16



## ACCESSORY HEATER AND GENERAL INFORMATION



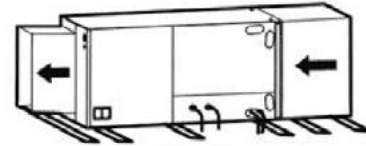
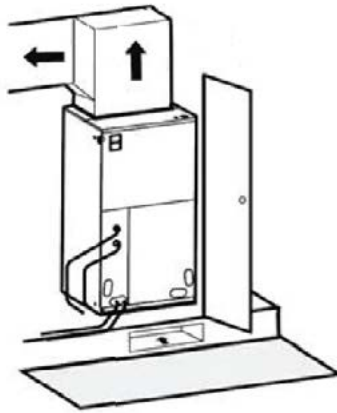
MODEL	Heat Kit Model	Part Number	Electric Heat (kW)		Min. Circuit Ampacity (A)		Max Fuse or Breaker (A)						
			208V	230V	208V	230V	208V	230V					
FXE60HP230V1R32AH	One Mains Supply												
	320004060223	FLEXA2LHTR06	3.74	4.6	31	33	35	35					
	Two Mains Supply												
						Power A	Power B	Power A	Power B	Power A	Power B	Power A	Power B
	320004060224	FLEXA2LHTR09	6.03	7.36	35	13.8	37.5	15	40	15	40	20	
320004060225	FLEXA2LHTR12	7.49	9.2	35	27.5	37.5	30	40	30	40	35		

# CLEARANCES

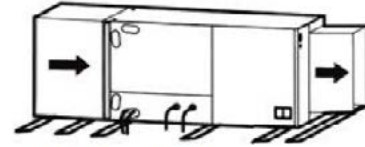
## INDOOR UNIT

Minimum clearance

FRONT	> 24
-------	------



Horizontal Left Configuration - No Modification Needed



Horizontal Right Configuration - Must Relocate Drain Pan

**NOTE:**

Allow a minimum of 24" in front of the unit for service clearance. When installing in an area directly over a finished ceiling (such as an attic), an emergency drain pan is required directly under the unit. **See local and state codes for requirements.** When installing this unit in an area that may become wet, elevate the unit with a sturdy, non-porous material. In installations that may lead to physical damage (i.e. a garage) it is advised to install a protective barrier to prevent such damage. This air handler is designed for a complete supply and return ductwork system.

## OUTDOOR UNIT

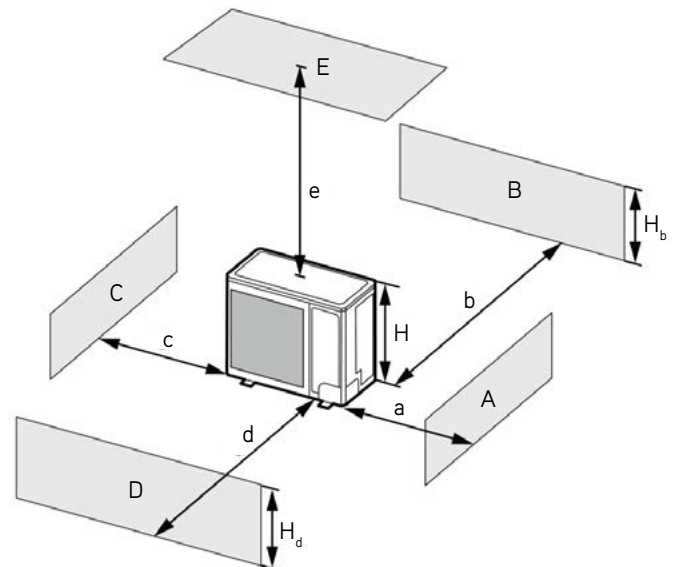
Minimum clearance

**NOTE:**

Install the Outdoor Unit **2 Inches** Above the Expected Snow Line

1. When one outdoor unit is to be installed.

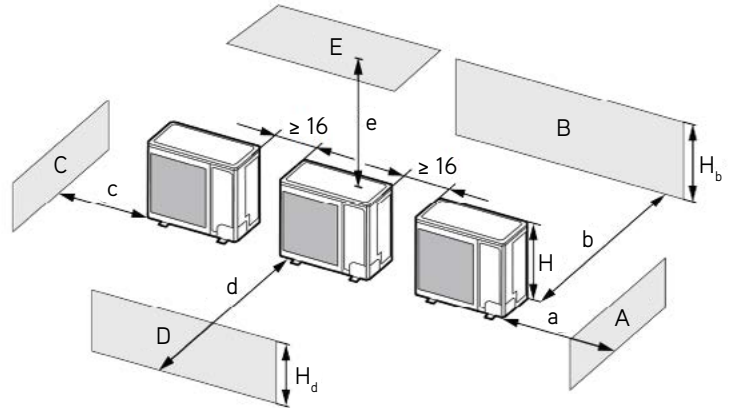
A - E	$H_b$ $H_d$ H		(in)				
			a	b	c	d	e
B	-	-	-	$\geq 4$	-	-	-
A, B, C	-	-	$\geq 12$	$\geq 4$	$\geq 4$	-	-
B, E	-	-	-	$\geq 4$	-	-	$\geq 40$
A, B, C, E	-	-	$\geq 12$	$\geq 6$	$\geq 6$	-	$\geq 40$
D	-	-	-	-	-	$\geq 40$	-
D, E	-	-	-	-	-	$\geq 40$	$\geq 40$
B, D	$H_b < H_d$	$H_d < H$	-	$\geq 4$	-	$\geq 40$	-
	$H_b > H_d$	$H_d > H$	-	$\geq 4$	-	$\geq 40$	-
B, D, E	$H_b < H_d$	$H_b \leq 1/2H$	-	$\geq 10$	-	$\geq 80$	$\geq 40$
		$1/2H < H_b \leq H$	-	$\geq 10$	-	$\geq 80$	$\geq 40$
		$H_b > H$	Prohibited				
	$H_b > H_d$	$H_b \leq 1/2H$	-	$\geq 4$	-	$\geq 80$	$\geq 40$
		$1/2H < H_b \leq H$	-	$\geq 8$	-	$\geq 80$	$\geq 40$
		$H_b > H$	Prohibited				



## CLEARANCES

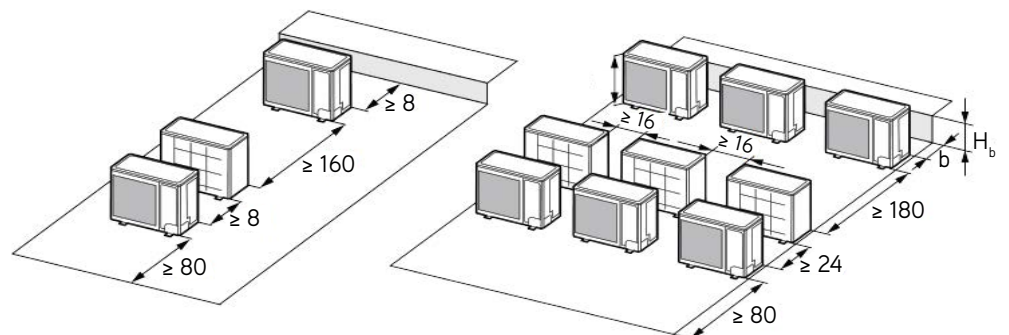
2. When two or more outdoor units are to be installed side by side.

A - E	$H_b$ $H_d$ $H$		(in)				
			a	b	c	d	e
A, B, C	-	-	$\geq 12$	$\geq 12$	$\geq 40$	-	-
A, B, C, E	-	-	$\geq 12$	$\geq 12$	$\geq 40$	-	$\geq 40$
D	-	-	-	-	-	$\geq 80$	-
D, E	-	-	-	-	-	$\geq 80$	$\geq 40$
B, D	$H_b < H_d$	$H_d > H$	-	$\geq 12$	-	$\geq 80$	-
	$H_b > H_d$	$H_d \leq 1/2H$	-	$\geq 10$	-	$\geq 80$	-
B, D, E	$H_b < H_d$	$1/2H < H_b \leq H$	-	$\geq 12$	-	$\geq 100$	$\geq 40$
		$H_b > H$	Prohibited				
	$H_b > H_d$	$H_d \leq 1/2H$	-	$\geq 10$	-	$\geq 100$	$\geq 40$
		$1/2H < H_d \leq H$	-	$\geq 12$	-	$\geq 100$	$\geq 40$
	$H_d > H$	Prohibited					

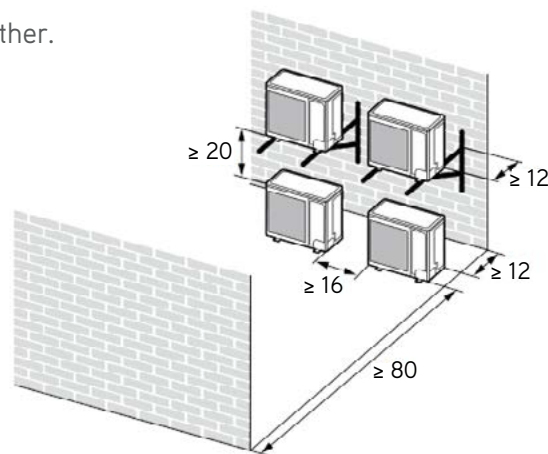


3. When outdoor units are installed in rows.

$H_b$ $H_d$	(in)
$H_b \leq 1/2H$	$b \leq 10$
$1/2H < H_b \leq H$	$b \leq 12$
$H_b > H_d$	Prohibited



4. When outdoor units are installed one above another.



Specifications are subject to change without notice. Manufacturer reserves the right to discontinue or modify specifications or designs without notice or without incurring obligations. All Rights reserved.

[GREECOMFORT.COM/SYSTEM-DOCUMENTATION](http://GREECOMFORT.COM/SYSTEM-DOCUMENTATION)