

SUBMITTAL DATA

FLEXX24HP230V1BH / FLEXX36HP230V1AO
24000 BTU/H Unitary Heat Pump Split System

Job Name

Location

Date

Purchaser

Engineer

Submitted to

For

Unit Designation

Schedule No.



FLEXX24HP230V1BH



FLEXX36HP230V1AO

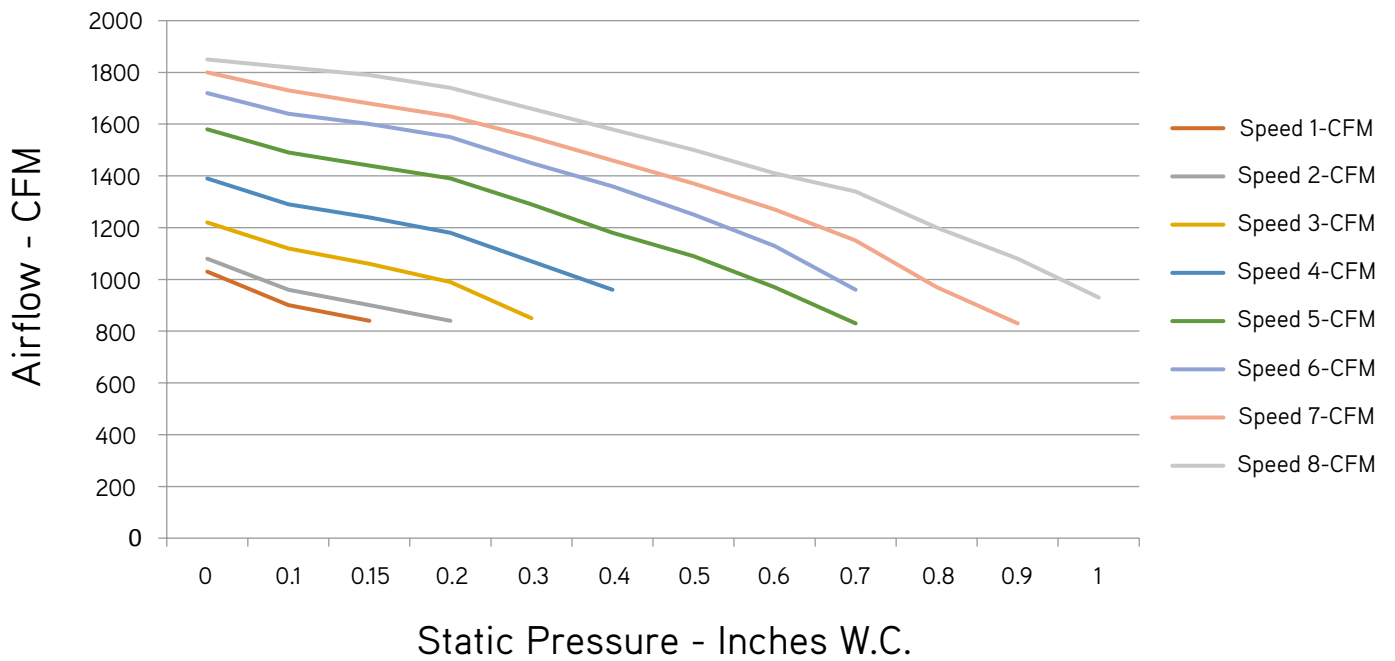
GENERAL FEATURES

- AHRI Certificate: [207256440](#)
- High Efficiency DC Inverter Technology
- 24VAC Thermostat Compatible
- Zero Lot Line Design
- Match with GREE or Competitive Indoor Unit
- 8 Speed Fan Motor
- Designed for New Construction or Replacement Market
- Compact and Quiet, as low as 55 dB(A) Side Discharge Outdoor Unit
- Low Ambient Cooling down to -15°C (5°F)
- Low Ambient Heating down to -30°C (-22°F)
- Coil (Outdoor) Copper Tube/Aluminum Fin with Anti-Corrosion Coil Coating (Gold Colored Fin - 1500Hr Salt Spray Rating)
- Coil (Indoor) Copper Tube/Aluminum Fin with Anti-Corrosion Coil Coating (Blue Colored Fin - 500Hr Salt Spray Rating)

SPECIFICATIONS, FEATURES & FUNCTION SUMMARY

SPECIFICATIONS		FLEX24HP230V1BH / FLEX36HP230V1AO		FEATURES & FUNCTIONS SUMMARY		FLEX24HP230V1BH / FLEX36HP230V1AO	
System Type		HEAT PUMP					
SYSTEM PERFORMANCE							
Cooling	Min - Max	Btu/h	12000 - 24000				
	Capacity @95°F	Btu/h	24000				
Heating	Min - Max	Btu/h	12000 - 30000				
	Capacity @5°F	Btu/h	22000				
	Capacity @17°F	Btu/h	16000				
	Capacity @47°F	W	24000				
SEER2		17					
EER2		12					
HSPF2		9					
COP @5°F		1.8					
COP @47°F		4					
Cooling Temperature Range		°F	5 - 129				
Heating Temperature Range		°F	-22 - 75				
Refrigerant Type		R410A					
INDOOR UNIT				FLEX24HP230V1BH			
Power Supply		VAC	208-230V / 1Ph / 60 Hz				
Sound Pressure Level		dB(A)	45				
Control Voltage		VAC	24				
Rated Current Cooling		A	3				
Rated Current Heating		A	3				
MCA		A	4				
MOCP		A	15				
Electric Heater (Optional)		kW	5, 8, 10				
Air Flow		CFM	940				
External Static Pressure (Up to)		In W.c.	1.0				
Dehumidification		pt/hr	3.06				
External Dimensions (W x H x D)		in	21-1/4 x 48-1/4 x 21-1/4				
Package Dimension (W x H x D)		in	26 x 50-7/16 x 23-3/4				
Net Weight		lbs	156				
Gross Weight		lbs	169				
OUTDOOR UNIT				FLEX36HP230V1AO			
Power Supply		VAC	208-230V / 1Ph / 60 Hz				
Sound Pressure Level		dB(A)	55				
Control Voltage		VAC	24				
Rated Current Cooling		A	21				
Rated Current Heating		A	25				
MCA		A	24				
MOCP		A	35				
External Dimensions (W x H x D)		in	37 x 32-1/4 x 18-1/8				
Package Dimension (W x H x D)		in	42-11/16 x 38-3/8 x 22-9/16				
Net Weight		lbs	217				
Gross Weight		lbs	240				
Refrigerant Charge - R410A		oz	148				
Additional Charge		oz/ft	0.32				
REFRIGERANT PIPING							
Line Set Size (Liquid - Gas) - Flared Connections		in	3/8 - 3/4				
Pre-Charge Length		ft	31				
Pipe Length (Min - Max)		ft	10 - 164				
Max. Pipe Elevation		ft	100				
SYSTEM FEATURES							
Compressor		Inverter					
Ultra Low Frequency Torque Control		Yes					
Power Factor Correction		Yes					
Compressor Type		Rotary					
Refrigerant Type		R410A					
Outdoor Electronic Expansion Valve (EEV)		Yes					
Indoor TXV Control		Yes					
Basepan With Electric Heater		Yes					
Compressor With Electric Heater		Yes					
Fin Coating (Outdoor - Golden & Indoor - Blue)		Acrylic Resin					
Intelligent Defrosting		Yes					
Intelligent Preheating		Yes					
Low Voltage Startup		Yes					
Memory/Power Failure Recovery		Yes					
Self Diagnosis		Yes					
Low Ambient Cooling		Yes					
24VAC Thermostat Compatible		Yes					
Indoor Fan Type		Centrifugal					
Multi Fan Speeds		8					
Auxiliary Electrical Heater		Optional					

FAN PERFORMANCE



STATIC PRESSURE Inches W.C.	0	0.1	0.15	0.2	0.3	0.4	0.5	0.6	0.7	0.8	0.9	1.0
Speed 1 - CFM	1030	900	840									
Speed 2 - CFM	1080	960	900	840								
Speed 3 - CFM	1220	1120	1060	990	850							
Speed 4 - CFM	1390	1290	1240	1180	1070	960						
Speed 5 - CFM	1580	1490	1440	1390	1290	1180	1090	970	830			
Speed 6 - CFM	1720	1640	1600	1550	1450	1360	1250	1130	960			
Speed 7 - CFM	1800	1730	1680	1630	1550	1460	1370	1270	1150	970	830	
Speed 8 - CFM	1850	1820	1790	1740	1660	1580	1500	1410	1340	1200	1080	930

NOTE:

1. Above chart CFM ratings are based on dry coil with factory filter installed.
2. For wet coil CFM ratings, multiply the CFM by 0.96 correction factor.

DIMENSIONS

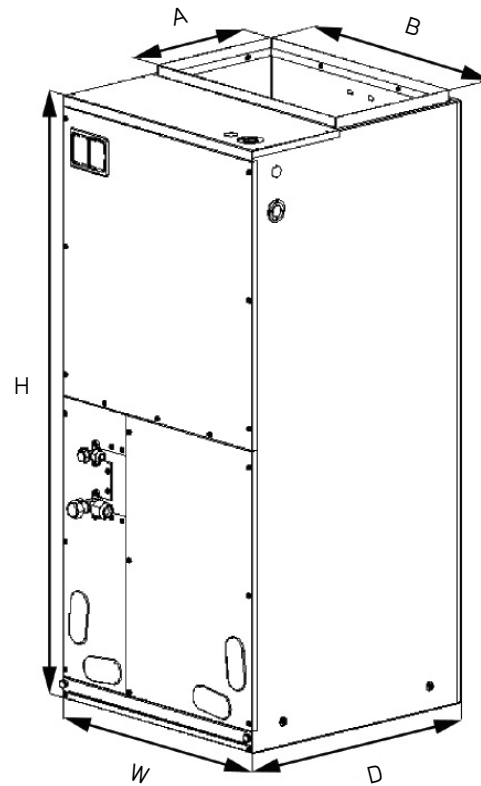
INDOOR UNIT

Unit: inch

FLEXX24HP230V1BH	
DIMENSIONS	
A	11-5/8
B	20
H	48-1/4
W	21-1/4
D	21-1/4

FILTER SIZE	
Supplied*	19-1/4 x 20-1/4 x 1/2
Suggested	19-1/4 x 20-1/4 x 1

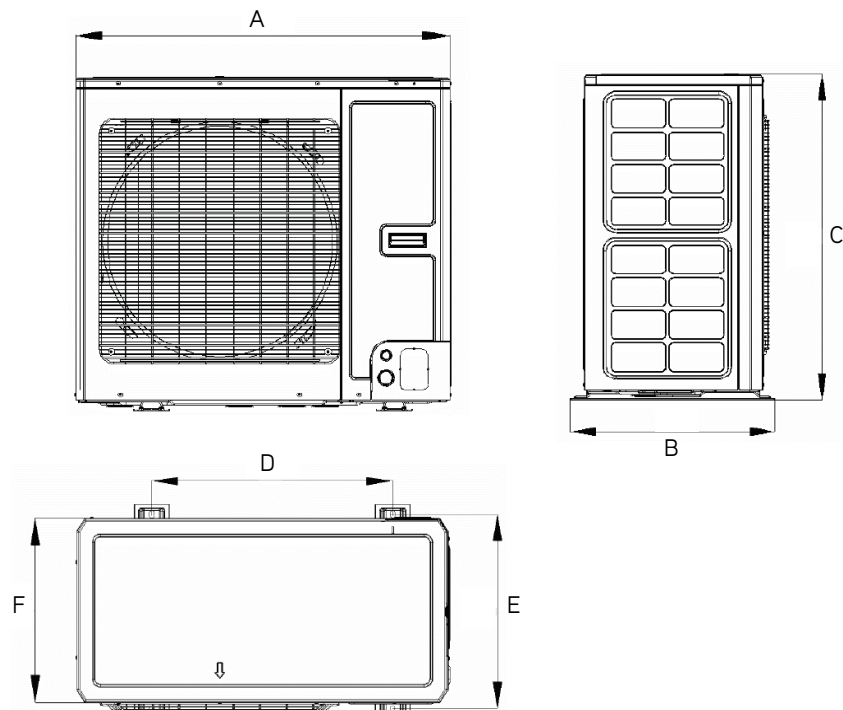
*Supplied filter is metal mesh



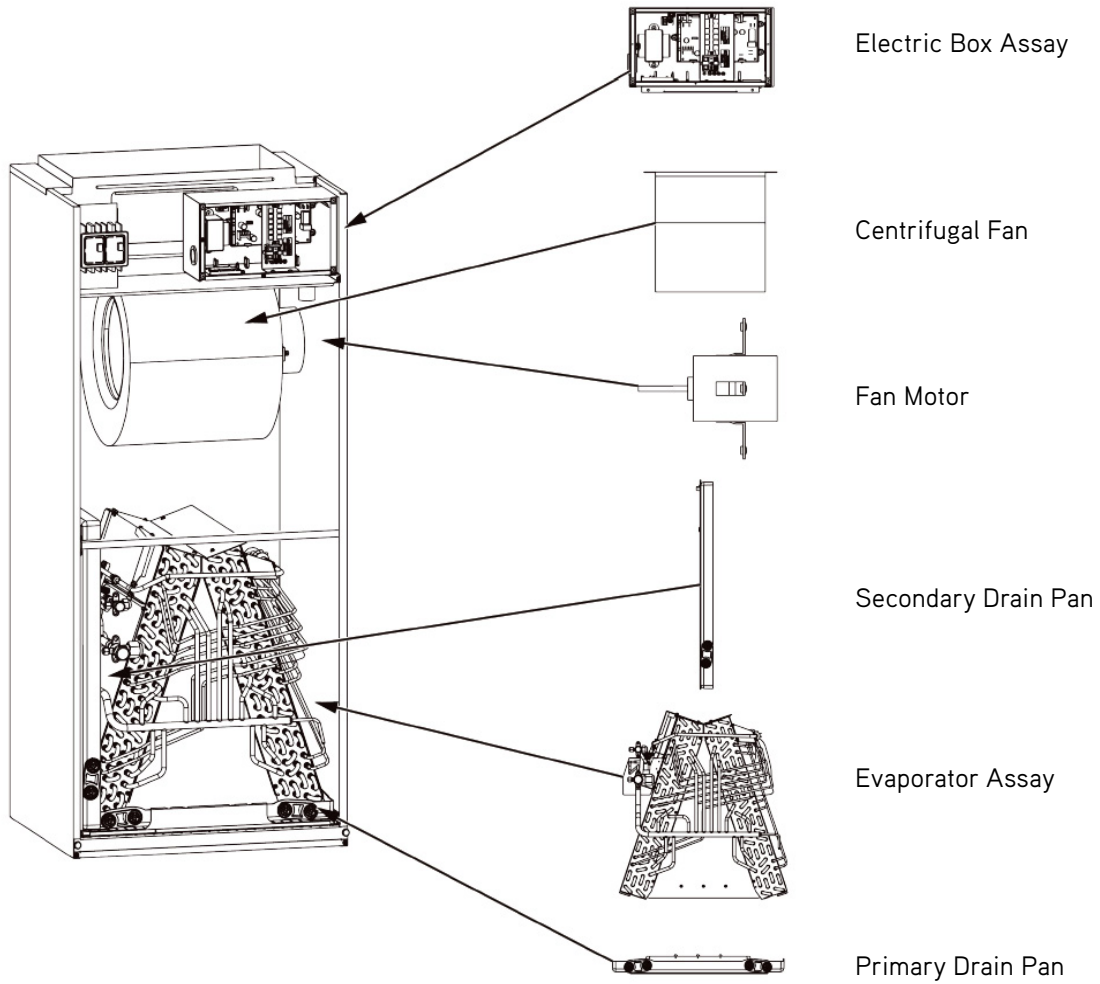
OUTDOOR UNIT

Unit: inch

FLEXX36HP230V1AO	
DIMENSIONS	
A	37
B	20-1/8
C	32-1/4
D	24
E	19-1/8
F	18-1/8



ACCESSORY HEATER AND GENERAL INFORMATION



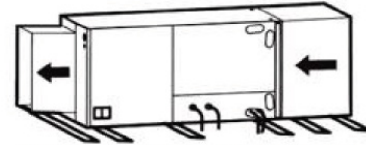
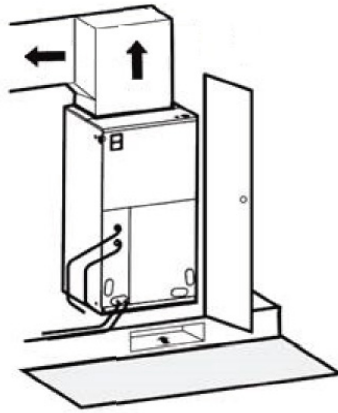
MODEL	Heat Kit Model	Electric Heat (kW)		Min. Circuit		Max. Fuse or Breaker	
		240V	208V	240V	208V	240V	208V
FLEX24HP230V1BH	FLEXHTR5KW	5	3.76	26	22.6	30	25
	FLEXHTR8KW	8	6	41.7	36	45	40
	FLEXHTR10KW	10	7.51	52	45	60	45
	21-4227-00	5	3.76	26	22.6	30	25
	21-4216-00	8	6	41.7	36	45	40
	21-4216-01	10	7.51	52	45	60	45

CLEARANCES

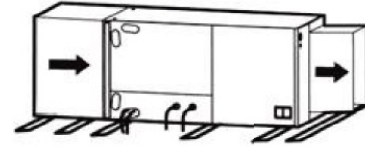
INDOOR UNIT

Minimum clearance

FRONT > 24



Horizontal Left Configuration - No Modification Needed



Horizontal Right Configuration - Must Relocate Drain Pan

NOTE:

Allow a minimum of 24" in front of the unit for service clearance. When installing in an area directly over a finished ceiling (such as an attic), an emergency drain pan is required directly under the unit. **See local and state codes for requirements.** When installing this unit in an area that may become wet, elevate the unit with a sturdy, non-porous material. In installations that may lead to physical damage (i.e. a garage) it is advised to install a protective barrier to prevent such damage. This air handler is designed for a complete supply and return ductwork system.

OUTDOOR UNIT

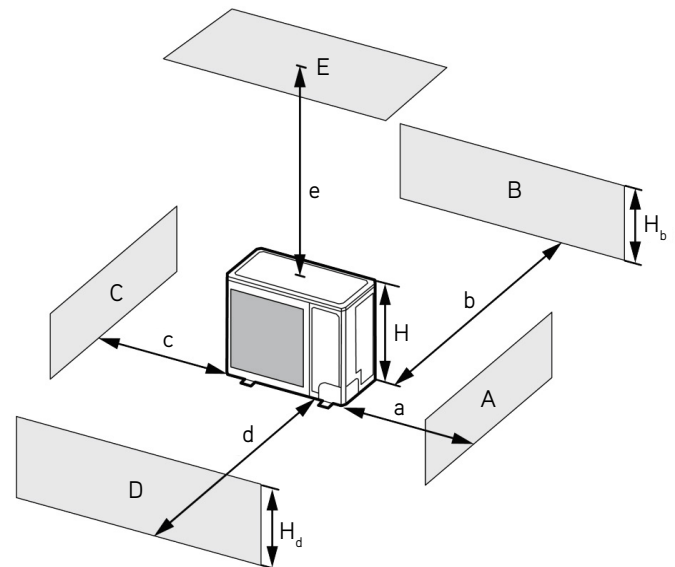
Minimum clearance

NOTE:

Install the Outdoor Unit **2 Inches** Above the Expected Snow Line

1. When one outdoor unit is to be installed.

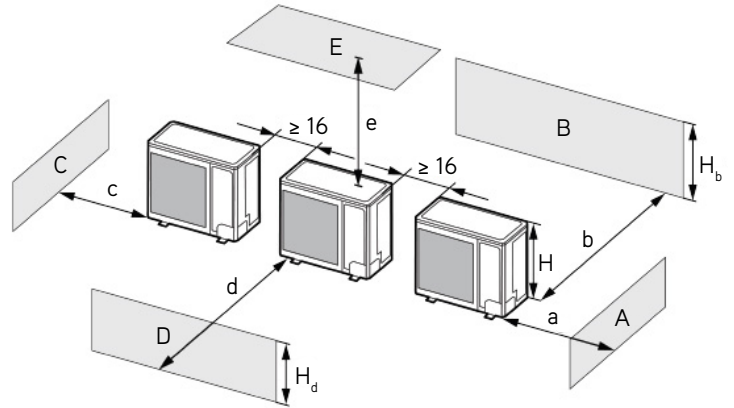
A - E	H_b H_d H		(in)				
			a	b	c	d	e
B	-	-	-	≥ 4	-	-	-
A, B, C	-	-	≥ 12	≥ 4	≥ 4	-	-
B, E	-	-	-	≥ 4	-	-	≥ 40
A, B, C, E	-	-	≥ 12	≥ 6	≥ 6	-	≥ 40
D	-	-	-	-	-	≥ 40	-
D, E	-	-	-	-	-	≥ 40	≥ 40
B, D	$H_b < H_d$	$H_d < H$	-	≥ 4	-	≥ 40	-
	$H_b > H_d$	$H_d > H$	-	≥ 4	-	≥ 40	-
B, D, E	-	$H_b \leq 1/2H$	-	≥ 10	-	≥ 80	≥ 40
	$H_b < H_d$	$1/2H < H_b \leq H$	-	≥ 10	-	≥ 80	≥ 40
	-	$H_b > H$	Prohibited				
	$H_b > H_d$	$H_b \leq 1/2H$	-	≥ 4	-	≥ 80	≥ 40
	$H_b > H_d$	$1/2H < H_b \leq H$	-	≥ 8	-	≥ 80	≥ 40
-	$H_b > H$	Prohibited					



CLEARANCES

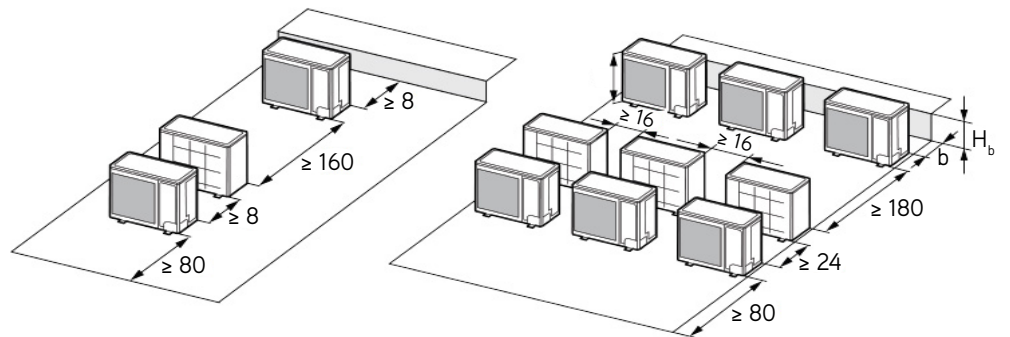
2. When two or more outdoor units are to be installed side by side.

A - E	H_b H_d H		(in)				
			a	b	c	d	e
A, B, C	-	-	≥ 12	≥ 12	≥ 40	-	-
A, B, C, E	-	-	≥ 12	≥ 12	≥ 40	-	≥ 40
D	-	-	-	-	-	≥ 80	-
D, E	-	-	-	-	-	≥ 80	≥ 40
B, D	$H_b < H_d$	$H_d > H$	-	≥ 12	-	≥ 80	-
	$H_b > H_d$	$H_d \leq 1/2H$	-	≥ 10	-	≥ 80	-
B, D, E	$H_b > H_d$	$1/2H < H_b \leq H$	-	≥ 12	-	≥ 100	-
		$H_b \leq 1/2H$	-	≥ 12	-	≥ 80	≥ 40
	$H_b < H_d$	$1/2H < H_b \leq H$	-	≥ 12	-	≥ 100	≥ 40
		$H_b > H$	Prohibited				
	$H_b > H_d$	$H_d \leq 1/2H$	-	≥ 10	-	≥ 100	≥ 40
		$1/2H < H_d \leq H$	-	≥ 12	-	≥ 100	≥ 40
	$H_d > H$	Prohibited					

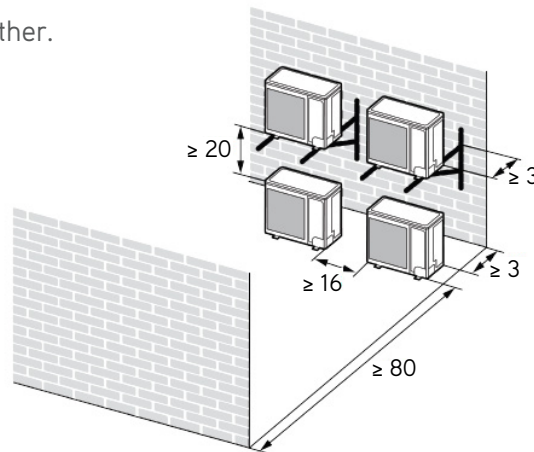


3. When outdoor units are installed in rows.

H_b H_d	(in)
$H_b \leq 1/2H$	$b \leq 10$
$1/2H < H_b \leq H$	$b \leq 12$
$H_b > H_d$	Prohibited



4. When outdoor units are installed one above another.



Specifications are subject to change without notice. Manufacturer reserves the right to discontinue or modify specifications or designs without notice or without incurring obligations. All Rights reserved.