



Unitary Side Discharge Split System 24VAC Control

Submittal Data: FLEXX24AH/36HP230V1A 24000 BTU/H (208/230V) HEAT PUMP SYSTEM

Job Name _____ Location _____ Date _____

Purchaser _____ Engineer _____

Submitted To _____ For Reference Approval Construction

Unit Designation _____ Schedule No. _____

- GENERAL FEATURES**
- Side Discharge Outdoor Unit
 - Zero Lot Line Design
 - Match with Gree or Competitive Indoor Unit
 - Designed for New Construction or Replacement Market
 - Quiet Outdoor Operation - 55 dB(A)
 - 24VAC Thermostat Compatible
 - Acrylic Resin/Anti-Corrosion Fin Coating
 - 5 yr. Limited Compressor & Parts Warranty (Residential Only)



System Ratings

Cooling	
Rated Capacity (BTU/H)	24000
Capacity Range (BTU/H)	12000-24000
Power Input (W)	1920
SEER	20
EER	12.5

Heating	
Rated Capacity at 47°F (BTU/H)	24000
Capacity Range (BTU/H)	12000-30000
Power Input (W)	1670
HSPF	10.5
COP	4.2

Heating	
Rated Capacity at 17° (BTU/H)	16300
Power Input (W)	1770
COP	2.70

Operating Range			
Cooling	(Max)		129°F (46°C)
	(Min)		5°F (-18°C)
Heating	(Max)		75°F (24°C)
	(Min)		-22°F (-30°C)

Refrigerant Piping Data	
Gas Pipe Size - OD (in)	3/4
Liquid Pipe Size - OD (in)	3/8
Connection Method	Flared
Factory Charge (oz)	148.8
Additional Charge (oz/ft)	0.3
Pre-Charge Length (ft)	25
MAX Refrigerant Pipe Length (ft)	98
MIN Refrigerant Pipe Length (ft)	10
MAX Refrigerant Pipe Elevation (ft)	49

Indoor Unit Data - FLEXX24HP230V1AH

Fan Motor	Output Power (HP)	1/2
	FLA (A)	2.1
Airflow	CFM	940
	Rated External Static Pressure	0.1
	External Static Pressure Range (InWg)	0- 4
	Sound Pressure Level (dB(A))	45
Dehumidication (pt/hr)		6
Power Supply (Dedicated Circuit: Size Per Local Code)		
	Normal Operational Voltage	208/230 V, 1 Phase, 60 Hz
	Voltage Range	187 - 253 V
	MCA (A)	4

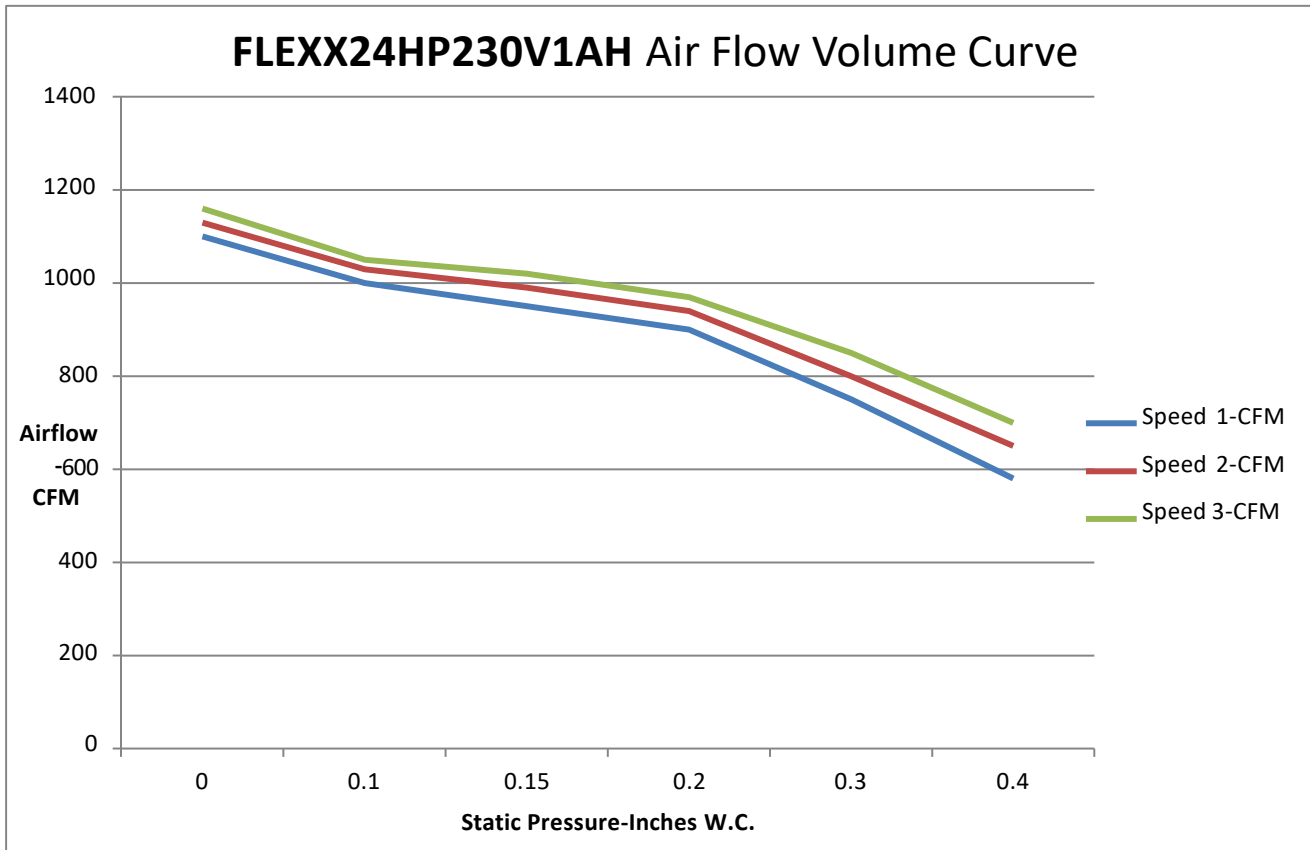
Outdoor Unit Data - FLEXX36HP230V1AO

Compressor	DC Inverter Driven Rotary	
	RLA (A)	16
Refrigerant Type		R410A
Fan Motor	Output Power (HP)	1/5
	FLA (A)	1.5
Crankcase Heater (W)		40
Sound Pressure Level - dB(A)		55
Power Supply (Dedicated Circuit: Size Per Local Code)		
	Normal Operational Voltage	208/230 V, 1 Phase, 60 Hz
	Voltage Range (V)	187 - 253
	MCA (A)	24
	MOCP/Breaker Size (A)	35



SYSTEM FEATURES	
Compressor	Inverter
Ultra Low Frequency Torque Control	YES
Power Factor Correction	YES
Compressor Type	Rotary
Refrigerant Type	R410A
Outdoor Electronic Expansion Valve (EEV)	YES
Indoor TXV Control	YES
Basepan With Electric Heater	YES
Compressor With Electric Heater	YES
Outdoor Fin Coating	Acrylic Resin
Intelligent Defrosting	YES
Intelligent Preheating	YES
Low Voltage Startup	YES
Memory/Power Failure Recovery	YES
Self Diagnosis	YES
Low Ambient Cooling	YES
24VAC Thermostat Compatible	YES
Indoor Fan Type	Centrifugal
Multi Fan Speeds	3 Speeds
Auxiliary Electrical Heater	Optional

FAN PERFORMANCE CURVES



Static Pressure - InWc	0	0.1	0.15	0.2	0.3	0.4
Speed 1-CFM	1050	940	910	850	720	600
Speed 2-CFM	1200	1070	1010	950	820	630
Speed 3-CFM	1280	1180	1130	1080	970	790

COOLING PERFORMANCE

Outdoor Ambient Temperature (DB)		Return Air Temperature			
		80°F (DB)			
		TC (Btu/h)	SHR	EER	Power Input (W)
MAX OUTPUT	5°F	24000	78.50%	20.69	1160
	10°F	24000	78.75%	20.51	1170
	15°F	24000	80.00%	20.17	1190
	20°F	24000	78.96%	20.00	1200
	25°F	24000	79.58%	19.83	1210
	30°F	24000	79.80%	19.67	1220
	35°F	24000	78.88%	19.20	1250
	40°F	24000	79.50%	18.90	1270
	45°F	24000	79.17%	18.18	1320
	50°F	24000	78.50%	17.52	1370
	55°F	24000	78.75%	17.20	1395
	60°F	24000	78.96%	16.90	1420
	65°F	24000	80.00%	16.55	1450
	70°F	24000	79.50%	16.11	1490
	75°F	24000	79.80%	15.69	1530
	80°F	25000	78.40%	14.71	1700
	85°F	25000	79.50%	13.37	1870
	90°F	25000	79.68%	12.50	2000
	95°F	25000	80.00%	11.63	2150
	100°F	24000	78.75%	10.86	2210
	105°F	24000	79.00%	10.26	2340
	110°F	24000	78.96%	9.60	2500
	115°F	24000	81.00%	8.89	2700
	120°F	23000	76.61%	8.21	2800
125°F	22000	75.55%	7.67	2870	
129°F	22000	71.00%	7.59	2900	

HEATING PERFORMANCE

Outdoor Ambient Temperature (DB)		Return Air Temperature		
		70°F (DB)		
		TC (Btu/h)	COP	Power Input (W)
MAX OUTPUT	-22°F	18700	1.40	3920
	-20°F	19500	1.45	3950
	-15°F	22000	1.61	4000
	-10°F	23000	1.65	4100
	-5°F	24000	1.68	4200
	0°F	24000	1.85	3800
	5°F	24000	2.10	3350
	10°F	24000	2.23	3150
	15°F	24000	2.35	3000
	17°F	24000	2.43	2900
	20°F	24000	2.61	2700
	25°F	24000	2.82	2500
	30°F	24000	2.99	2350
	35°F	24000	3.09	2280
	40°F	25000	3.46	2120
	45°F	25000	3.58	2050
	47°F	26000	3.85	1980
	50°F	26000	3.91	1950
	55°F	27000	3.96	2000
	60°F	28000	3.91	2100
	65°F	28000	4.01	2050
70°F	28000	4.11	2000	
75°F	24000	4.14	1700	

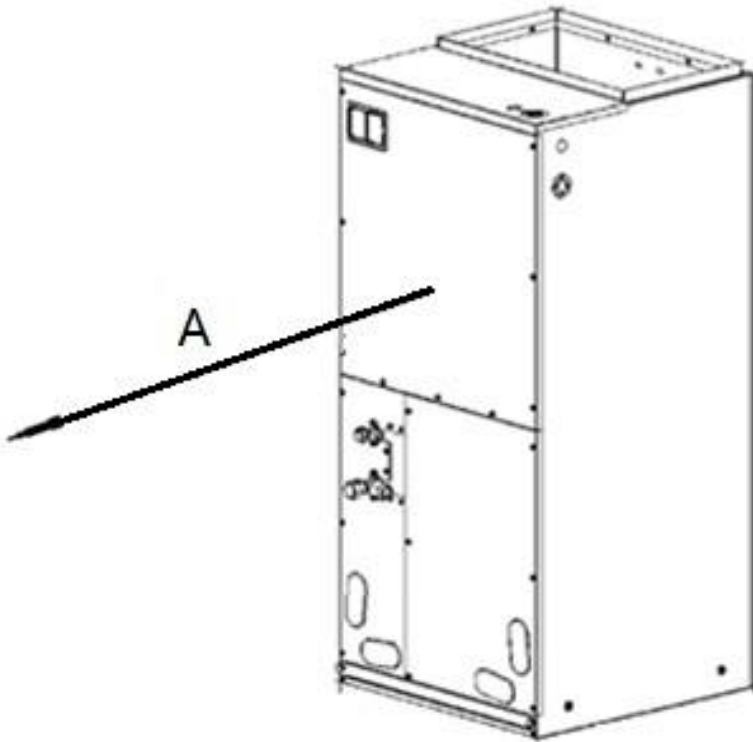
LEGEND: W - Watts
 DB - Dry Bulb
 TC - Total Capacity
 SHR - Sensible Heat Ratio
 COP - Coefficient of Performance

Submittal Data: FLEXX24HP230V1AH

MINIMUM SPACING REQUIREMENTS

Units: inches

INDOOR



A	24
ALL OTHER SIDES	0

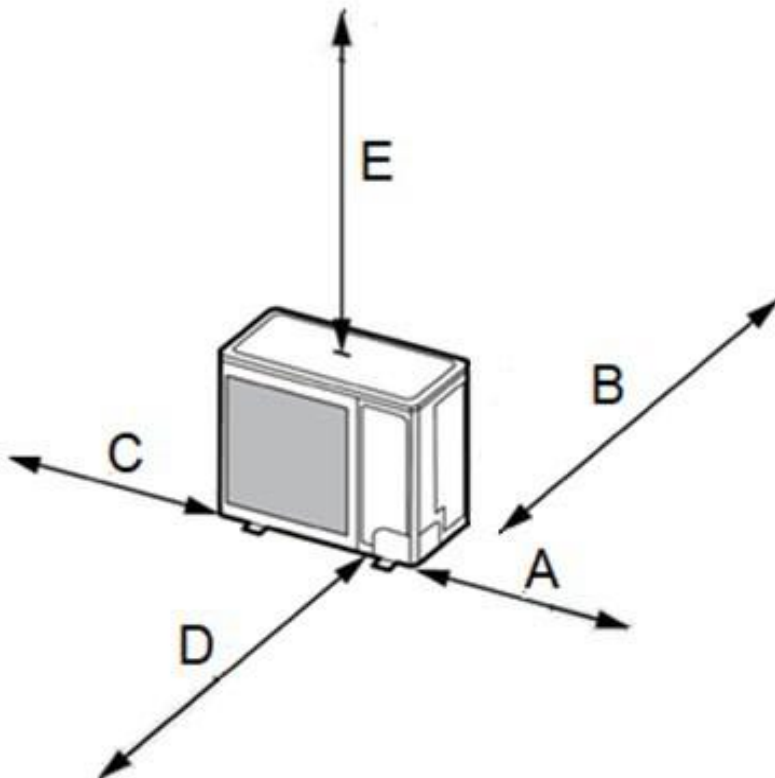
ALWAYS CHECK AND FOLLOW STATE AND LOCAL CODE REGULATIONS FOR MINIMUM SPACING REQUIREMENTS

FLEXX36HP230V1AO

MINIMUM SPACING REQUIREMENTS

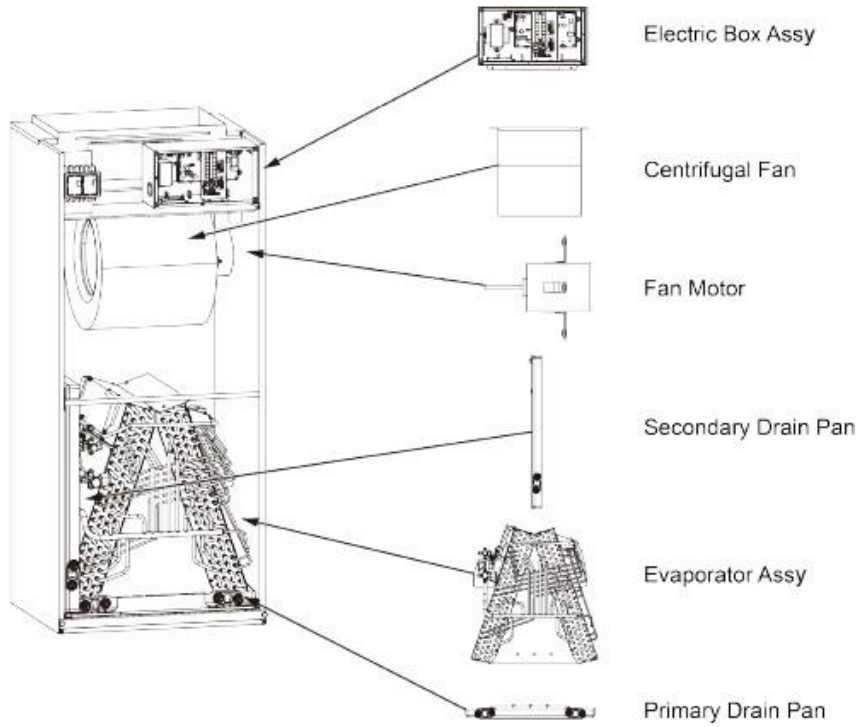
Units: inches

OUTDOOR



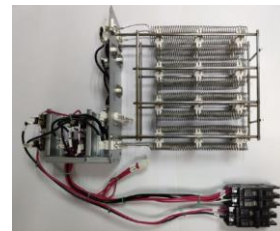
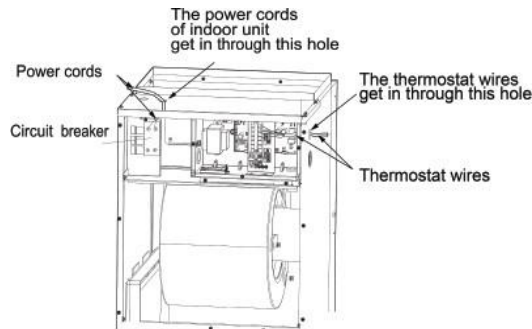
A	12
B	4
C	4
D	40
E	40

ALWAYS CHECK AND FOLLOW STATE AND LOCAL CODE REGULATIONS FOR MINIMUM SPACING REQUIREMENTS



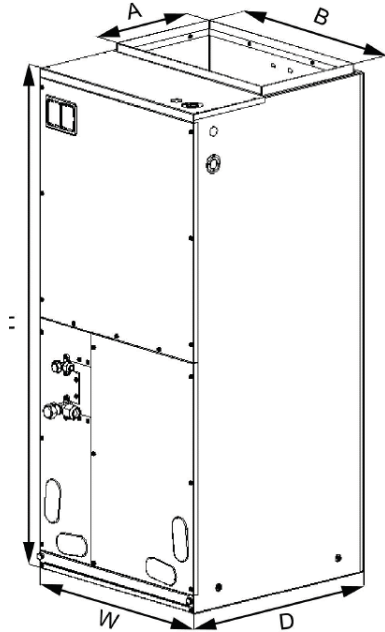
Model	Cooling Capacity (ton)	Optional Electric Heater	KW
FLEXX24HP230V1AH	2.0	FLEXXHTR5KW	5
FLEXX24HP230V1AH	2.0	FLEXXHTR8KW	8

Power Supply	V	240	240	240	240	240
Rated Power	kW	5	8			
Min. Circuit Ampacity	A	25	40			
Max. Fuse or Breaker Ampacity	A	30	45			



INDOOR UNIT DIMENSIONS & WEIGHTS

Units: inch



W	21-1/4
D	21-1/4
H	48-1/4
A	11-5/8
B	20

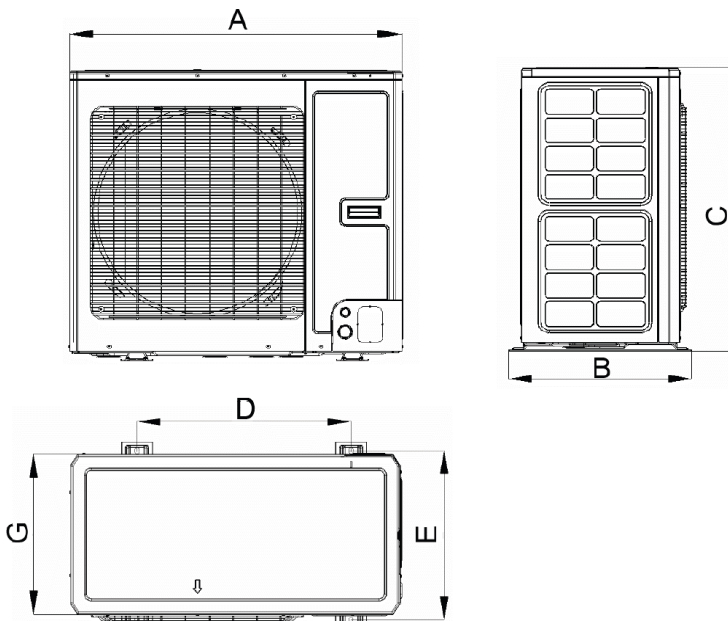
Net Weight (lbs)	156.5
Shipping Weight (lbs)	170

Liquid Line Valve	3/8-in OD Brazed
Gas Line Valve	3/4-in OD Brazed
Drain Connector	3/4 in OD

FLEXX36HP230V1AO

OUTDOOR UNIT DIMENSIONS & WEIGHTS

Units: inch



A	37
B	20-7/8
C	32-1/4
D	24
E	19-1/8
G	18-1/8

Net Weight (lbs)	217.2
Shipping Weight (lbs)	240

Liquid Line Valve	3/8-in OD Brazed
Gas Line Valve	3/4-in OD Brazed

Notes:

1. Power wiring size must comply with applicable national and local codes for both ID and OD dedicated circuits.
2. Test conditions are based on AHRI 210/240.

Specifications are subject to change without notice. Manufacturer reserves the right to discontinue or modify specifications or designs without notice or without incurring obligations. All rights reserved.