

## SUBMITTAL DATA

FLEXX36HP230V1BH / FLEXX36HP230V1AO  
36000 BTU/H Unitary Heat Pump Split System

Job Name

Location

Date

Purchaser

Engineer

Submitted to

For

Unit Designation

Schedule No.



FLEXX36HP230V1BH



FLEXX36HP230V1AO

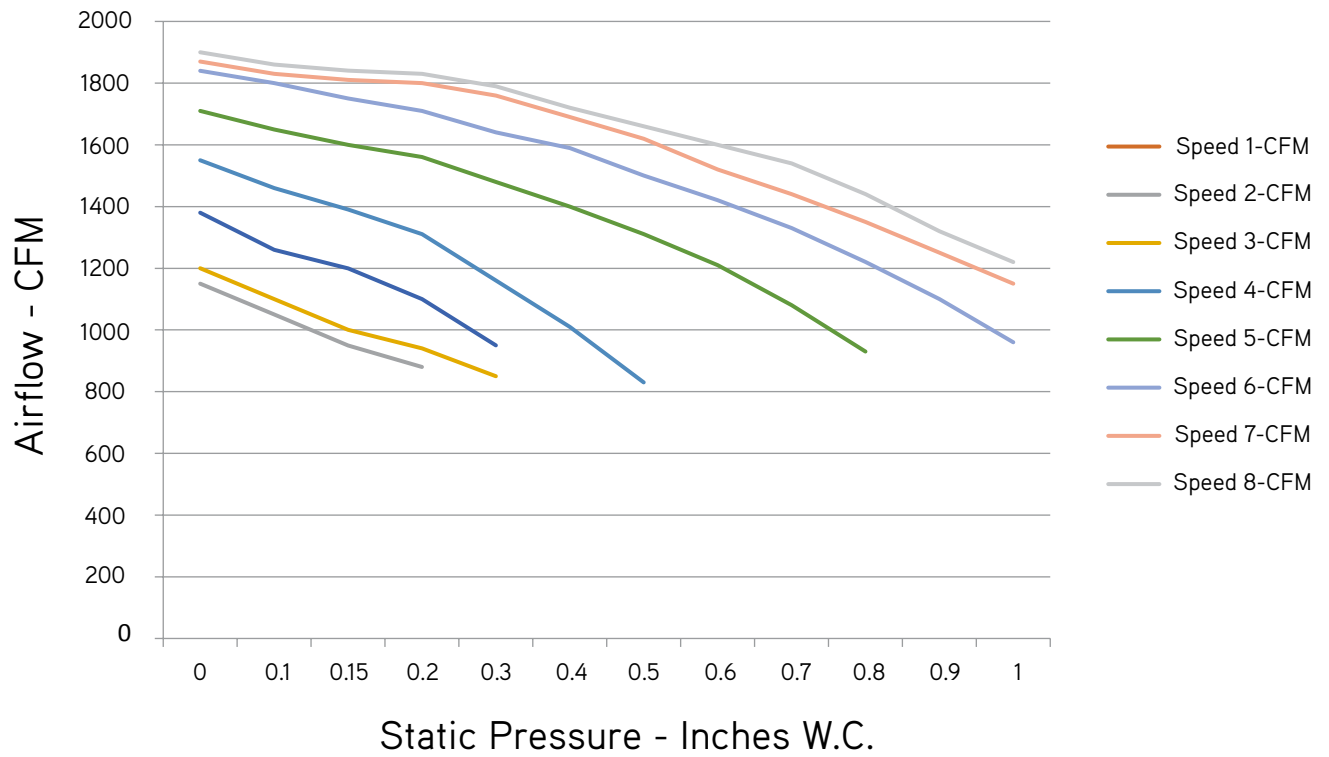
### GENERAL FEATURES

- AHRI Certificate: [207256441](#)
- High Efficiency DC Inverter Technology
- 24VAC Thermostat Compatible
- Zero Lot Line Design
- Match with GREE or Competitive Indoor Unit
- 8 Speed Fan Motor
- Designed for New Construction or Replacement Market
- Compact and Quiet, as low as 57 dB(A) Side Discharge Outdoor Unit
- Low Ambient Cooling down to -15°C (5°F)
- Low Ambient Heating down to -30°C (-22°F)
- Coil (Outdoor) Copper Tube/Aluminum Fin with Anti-Corrosion Coil Coating (Gold Colored Fin - 1500Hr Salt Spray Rating)
- Coil (Indoor) Copper Tube/Aluminum Fin with Anti-Corrosion Coil Coating (Blue Colored Fin - 500Hr Salt Spray Rating)

## SPECIFICATIONS, FEATURES & FUNCTION SUMMARY

SPECIFICATIONS		FLEXX36HP230V1BH / FLEXX36HP230V1AO		FEATURES & FUNCTIONS SUMMARY		FLEXX36HP230V1BH / FLEXX36HP230V1AO	
System Type		HEAT PUMP					
<b>SYSTEM PERFORMANCE</b>							
Cooling	Min - Max	Btu/h	18000 - 37000				
	Capacity @95°F	Btu/h	36000				
Heating	Min - Max	Btu/h	18000 - 38000				
	Capacity @5°F	Btu/h	28000				
	Capacity @17°F	Btu/h	24000				
	Capacity @47°F	W	36000				
SEER2		16					
EER2		10					
HSPF2		9					
COP @5°F		1.8					
COP @47°F		3					
Cooling Temperature Range		°F	5 - 129				
Heating Temperature Range		°F	-22 - 75				
Refrigerant Type		R410A					
<b>INDOOR UNIT</b>				<b>FLEXX36HP230V1BH</b>			
Power Supply		VAC	208-230V / 1Ph / 60 Hz				
Sound Pressure Level		dB(A)	47				
Control Voltage		VAC	24				
Rated Current Cooling		A	3				
Rated Current Heating		A	3				
MCA		A	4				
MOCP		A	15				
Electric Heater (Optional)		kW	5, 8, 10, 15				
Air Flow		CFM	1000				
External Static Pressure (Up to)		In W.c.	1				
Dehumidification		pt/hr	9.70				
External Dimensions (W x H x D)		in	21-1/4 x 48-1/4 x 21-1/4				
Package Dimension (W x H x D)		in	26 x 50-7/16 x 23-3/4				
Net Weight		lbs	156				
Gross Weight		lbs	169				
<b>OUTDOOR UNIT</b>				<b>FLEXX36HP230V1AO</b>			
Power Supply		VAC	208-230V / 1Ph / 60 Hz				
Sound Pressure Level		dB(A)	57				
Control Voltage		VAC	24				
Rated Current Cooling		A	21				
Rated Current Heating		A	25				
MCA		A	24				
MOCP		A	35				
External Dimensions (W x H x D)		in	37 x 32-1/4 x 18-1/8				
Package Dimension (W x H x D)		in	42-11/16 x 38-3/8 x 22-9/16				
Net Weight		lbs	217				
Gross Weight		lbs	240				
Refrigerant Charge - R410A		oz	148				
Additional Charge		oz/ft	0.32				
<b>REFRIGERANT PIPING</b>							
Line Set Size (Liquid - Gas) - Flared Connections		in	3/8 - 3/4				
Pre-Charge Length		ft	31				
Pipe Length (Min - Max)		ft	10 - 164				
Max. Pipe Elevation		ft	100				
<b>SYSTEM FEATURES</b>							
Compressor		Inverter					
Ultra Low Frequency Torque Control		Yes					
Power Factor Correction		Yes					
Compressor Type		Rotary					
Refrigerant Type		R410A					
Outdoor Electronic Expansion Valve (EEV)		Yes					
Indoor TXV Control		Yes					
Basepan With Electric Heater		Yes					
Compressor With Electric Heater		Yes					
Fin Coating (Outdoor - Golden & Indoor - Blue)		Acrylic Resin					
Intelligent Defrosting		Yes					
Intelligent Preheating		Yes					
Low Voltage Startup		Yes					
Memory/Power Failure Recovery		Yes					
Self Diagnosis		Yes					
Low Ambient Cooling		Yes					
24VAC Thermostat Compatible		Yes					
Indoor Fan Type		Centrifugal					
Multi Fan Speeds		8					
Auxiliary Electrical Heater		Optional					

## FAN PERFORMANCE



STATIC PRESSURE Inches W.C.	0	0.1	0.15	0.2	0.3	0.4	0.5	0.6	0.7	0.8	0.9	1.0
Speed 1 - CFM	1150	1050	950	880								
Speed 2 - CFM	1200	1100	1000	940	850							
Speed 3 - CFM	1380	1260	1200	1100	950							
Speed 4 - CFM	1550	1460	1390	1310	1160	1010	830					
Speed 5 - CFM	1710	1650	1600	1560	1480	1400	1310	1210	1080	930		
Speed 6 - CFM	1840	1800	1750	1710	1640	1590	1500	1420	1330	1220	1100	960
Speed 7 - CFM	1870	1830	1810	1800	1760	1690	1620	1520	1440	1350	1250	1150
Speed 8 - CFM	1900	1860	1840	1830	1790	1720	1660	1600	1540	1440	1320	1220

### NOTE:

1. Above chart CFM ratings are based on dry coil with factory filter installed.
2. For wet coil CFM ratings, multiply the CFM by 0.96 correction factor.

## DIMENSIONS

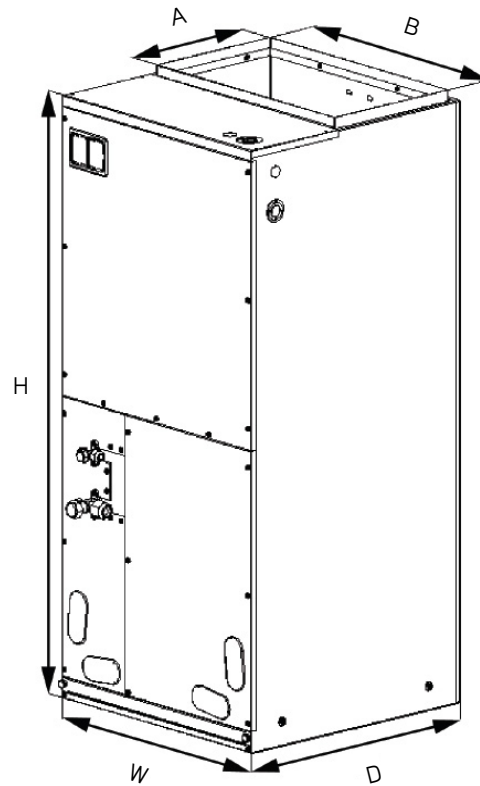
### INDOOR UNIT

Unit: inch

FLEX36HP230V1BH	
DIMENSIONS	
A	11-5/8
B	20
H	48-1/4
W	21-1/4
D	21-1/4

FILTER SIZE	
Supplied*	19-1/4 x 20-1/4 x 1/2
Suggested	19-1/4 x 20-1/4 x 1

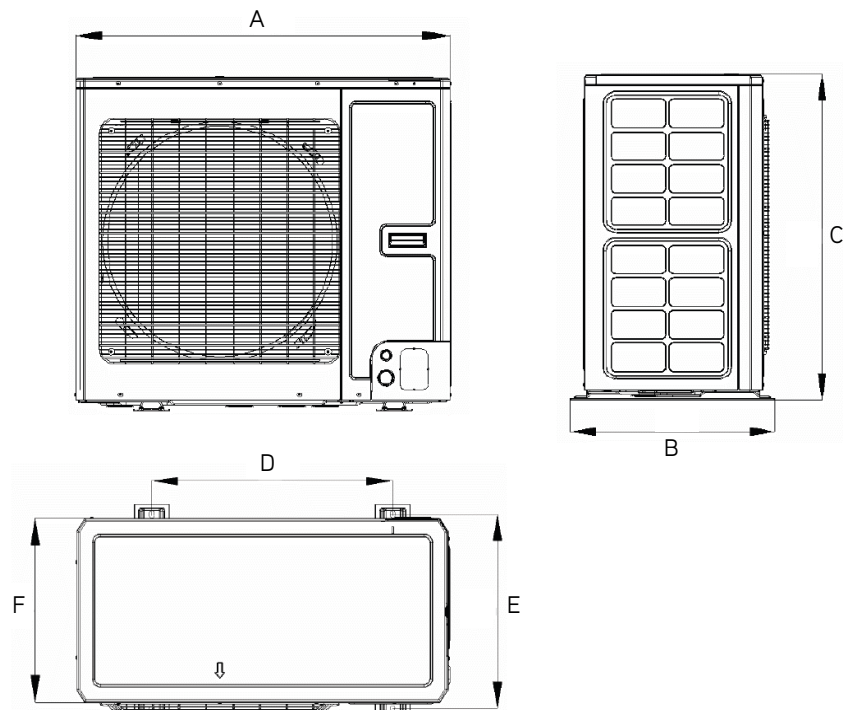
\*Supplied filter is metal mesh



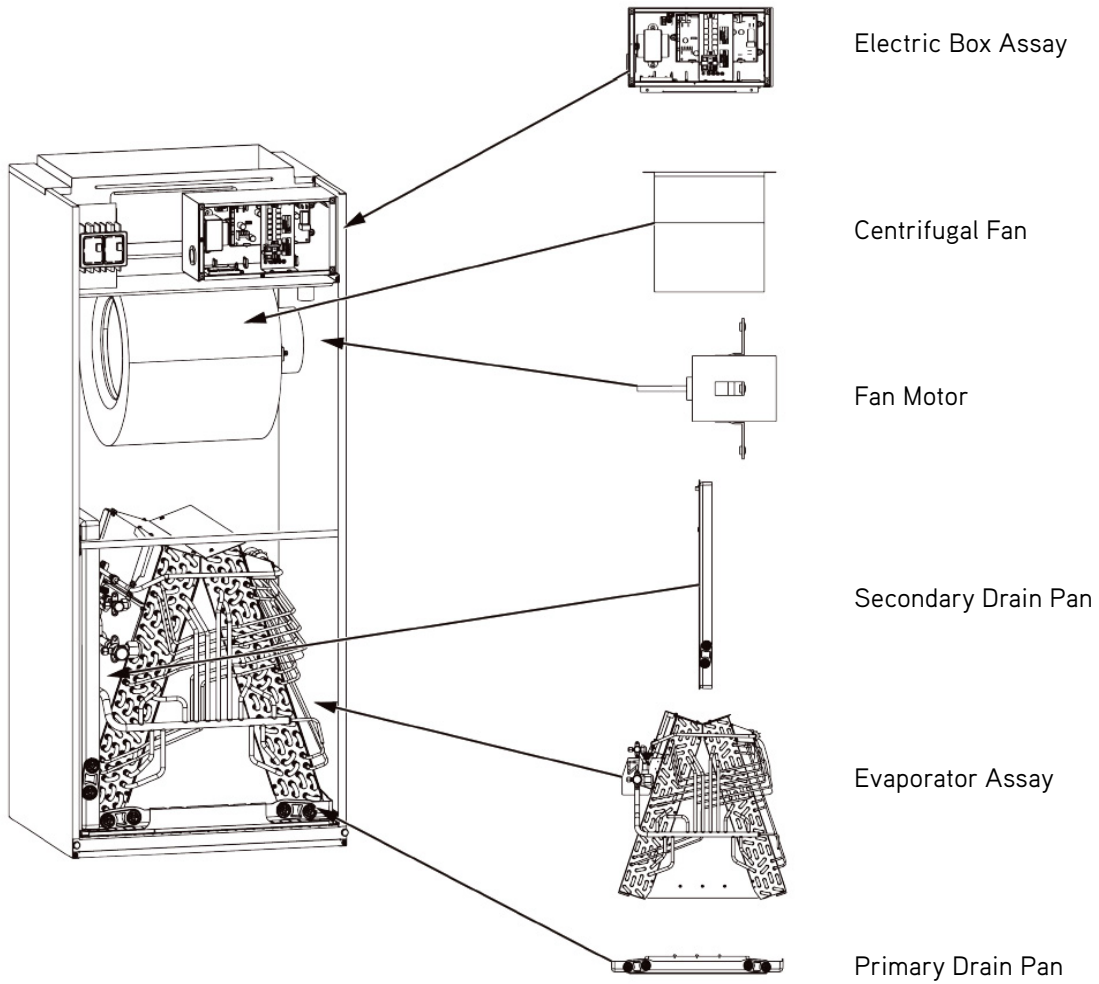
### OUTDOOR UNIT

Unit: inch

FLEX36HP230V1AO	
DIMENSIONS	
A	37
B	20-1/8
C	32-1/4
D	24
E	19-1/8
F	18-1/8



## ACCESSORY HEATER AND GENERAL INFORMATION



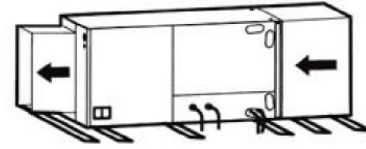
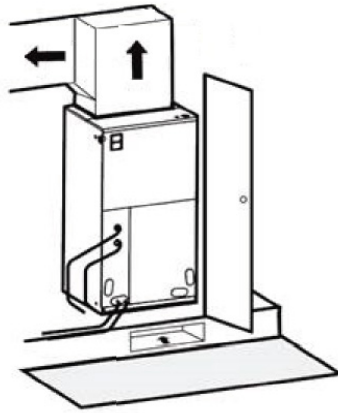
MODEL	Heat Kit Model	Electric Heat (kW)		Min. Circuit		Max. Fuse or Breaker	
		240V	208V	240V	208V	240V	208V
FLEXX36HP230V1BH	FLEXXHTR5KW	5	3.76	26	22.6	30	25
	FLEXXHTR8KW	8	6	41.7	36	45	40
	FLEXXHTR10KW	10	7.51	52	45	60	45
	FLEXXHTR15KW	15	11.25	52 & 26	45 & 22.6	60 & 30	45 & 25
	21-4227-00	5	3.76	26	22.6	30	25
	21-4216-00	8	6	41.7	36	45	40
	21-4216-01	10	7.51	52	45	60	45
	21-4217-00	15a	11.25	52 & 26	45 & 22.6	60 & 30	45 & 25

# CLEARANCES

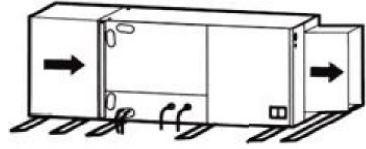
## INDOOR UNIT

Minimum clearance

FRONT > 24



Horizontal Left Configuration - No Modification Needed



Horizontal Right Configuration - Must Relocate Drain Pan

### NOTE:

Allow a minimum of 24" in front of the unit for service clearance. When installing in an area directly over a finished ceiling (such as an attic), an emergency drain pan is required directly under the unit. **See local and state codes for requirements.** When installing this unit in an area that may become wet, elevate the unit with a sturdy, non-porous material. In installations that may lead to physical damage (i.e. a garage) it is advised to install a protective barrier to prevent such damage. This air handler is designed for a complete supply and return ductwork system.

## OUTDOOR UNIT

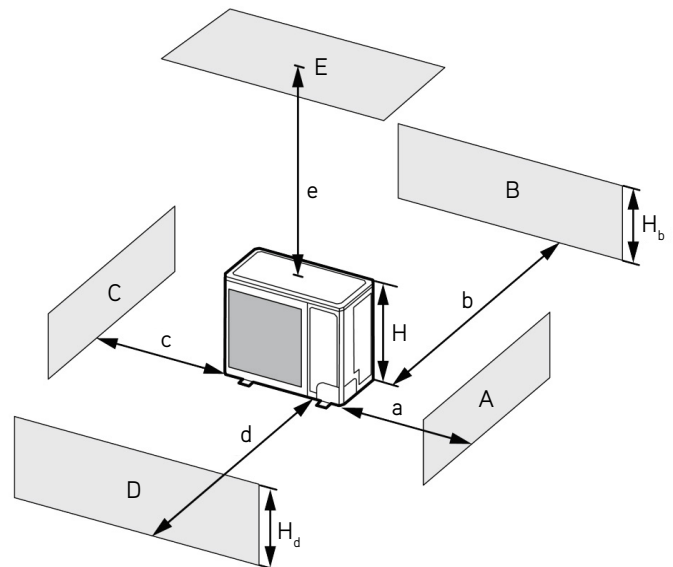
Minimum clearance

### NOTE:

Install the Outdoor Unit **2 Inches** Above the Expected Snow Line

1. When one outdoor unit is to be installed.

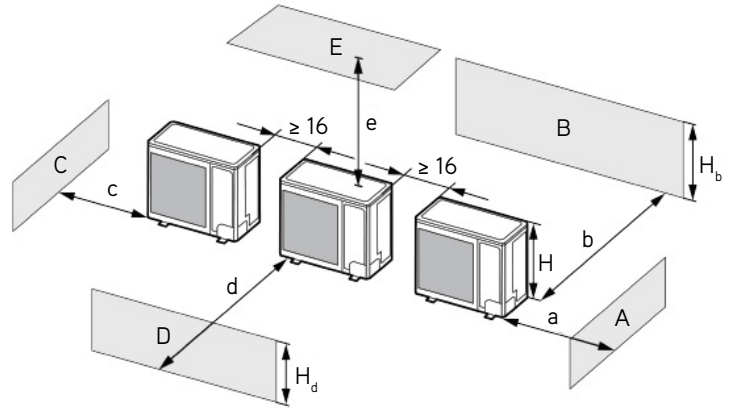
A - E	$H_b$ $H_d$ H		(in)				
			a	b	c	d	e
B	-	-	-	$\geq 4$	-	-	-
A, B, C	-	-	$\geq 12$	$\geq 4$	$\geq 4$	-	-
B, E	-	-	-	$\geq 4$	-	-	$\geq 40$
A, B, C, E	-	-	$\geq 12$	$\geq 6$	$\geq 6$	-	$\geq 40$
D	-	-	-	-	-	$\geq 40$	-
D, E	-	-	-	-	-	$\geq 40$	$\geq 40$
B, D	$H_b < H_d$	$H_d < H$	-	$\geq 4$	-	$\geq 40$	-
	$H_b > H_d$	$H_d > H$	-	$\geq 4$	-	$\geq 40$	-
B, D, E	$H_b \leq 1/2H$		-	$\geq 10$	-	$\geq 80$	$\geq 40$
	$H_b < H_d$	$1/2H < H_b \leq H$	-	$\geq 10$	-	$\geq 80$	$\geq 40$
	$H_b > H$		Prohibited				
	$H_d \leq 1/2H$		-	$\geq 4$	-	$\geq 80$	$\geq 40$
	$H_b > H_d$	$1/2H < H_d \leq H$	-	$\geq 8$	-	$\geq 80$	$\geq 40$
$H_d > H$		Prohibited					



# CLEARANCES

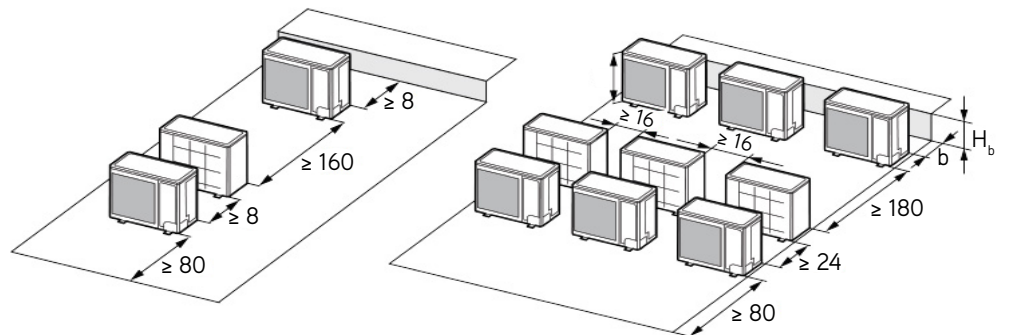
2. When two or more outdoor units are to be installed side by side.

A - E	$H_b$ $H_d$ $H$		(in)				
			a	b	c	d	e
A, B, C	-	-	$\geq 12$	$\geq 12$	$\geq 40$	-	-
A, B, C, E	-	-	$\geq 12$	$\geq 12$	$\geq 40$	-	$\geq 40$
D	-	-	-	-	-	$\geq 80$	-
D, E	-	-	-	-	-	$\geq 80$	$\geq 40$
B, D	$H_b < H_d$	$H_d > H$	-	$\geq 12$	-	$\geq 80$	-
	$H_b > H_d$	$H_d \leq 1/2H$	-	$\geq 10$	-	$\geq 80$	-
B, D, E	$H_b > H_d$	$1/2H < H_d \leq H$	-	$\geq 12$	-	$\geq 100$	-
		$H_b \leq 1/2H$	-	$\geq 12$	-	$\geq 80$	$\geq 40$
	$H_b < H_d$	$1/2H < H_b \leq H$	-	$\geq 12$	-	$\geq 100$	$\geq 40$
		$H_b > H$	Prohibited				
	$H_b > H_d$	$H_d \leq 1/2H$	-	$\geq 10$	-	$\geq 100$	$\geq 40$
		$1/2H < H_d \leq H$	-	$\geq 12$	-	$\geq 100$	$\geq 40$
	$H_d > H$	Prohibited					

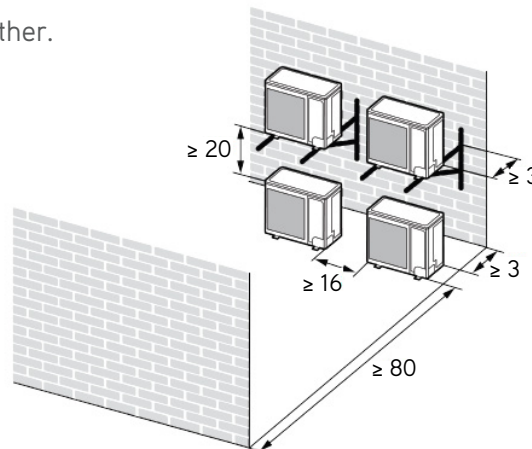


3. When outdoor units are installed in rows.

$H_b$ $H_d$	(in)
$H_b \leq 1/2H$	$b \leq 10$
$1/2H < H_b \leq H$	$b \leq 12$
$H_b > H_d$	Prohibited



4. When outdoor units are installed one above another.



Specifications are subject to change without notice. Manufacturer reserves the right to discontinue or modify specifications or designs without notice or without incurring obligations. All Rights reserved.