



SUBMITTAL DATA: FLEXX48C			48000 BTU/H A-Coil for HP / AC System
FLEXX60HP230V1AO			
FLEXX60AC230V1AO			
Job Name	Location	Date	
Purchaser	Engineer		
Submitted To	For		
Unit Designation	Schedule No.		

FLEXX48C	FLEXX60HP230V1AO / FLEXX60AC230V1AO
	
GENERAL FEATURES	

High Efficiency DC Inverter Technology
Compact and Quiet 55 dB(A) Side Discharge Outdoor Unit
Zero Lot Line Design
Match with Gree or Competitive Indoor Unit
Designed for New Construction or Replacement Market
24VAC Thermostat Compatible

Low Ambient Cooling down to 5°F

Low Ambient Heating down to -22°F

Acrylic Resin/Anti-Corrosion Fin Coating (Blue - 500 Hr Salt Spray Rating)

5 Year Limited Compressor & Parts Warranty (Residential Only)

SPECIFICATIONS		FLEXX48C / FLEXX60HP230V1AO	
System Type		HEAT PUMP	
SYSTEM PERFORMANCE			
Cooling	Rated Capacity @ 95°F	Btu/h	48000
	Min-Max Capacity	Btu/h	34000 - 48000
	Rated Power Input (Min - Max)	W	
Heating	Rated Capacity @ 47°F	Btu/h	48000
	Rated Capacity @ 17°F	Btu/h	33000
	Min-Max Capacity	Btu/h	34000 - 52000
	Rated Power Input (Min - Max)	W	
SEER / EER		18 / 11	
HSPF / COP		10.5 / 3.6	
Energy Star®		NO	
Cooling Temperature Range		°F	5 - 129
Heating Temperature Range		°F	-22 - 75
INDOOR UNIT		FLEXX48C	
Dehumidification		pt/hr	9.94
Condensate Drain Size (OD)		in	3 / 4
Unit Dimension (WxHxD)		in	24 1/2 × 28 1/2 × 21 1/4
Package Dimension (WxHxD)		in	28 1/8 × 31 5/16 × 27 1/8
Refrigerant Charge - R410A		oz	88
Weight (Net / Gross)		lbs	94.8 / 110.2
OUTDOOR UNIT		FLEXX60HP230V1AO	
Compressor Type		Inverter Rotary	
Compressor RLA		amps	19
Fan Motor Output Power		W	149
Fan Motor (2)		amps	1.5 Ea
Sound Pressure Level (Cooling / Heating)		dB(A)	58
Unit Dimension (WxHxD)		in	39 3/8 x 53 5/8 x 14 1/2
Package Dimension (WxHxD)		in	45 7/16 × 59 1/4 × 19 7/16
Weight (Net / Gross)		lbs	308 / 337
Refrigerant Charge - R410A		oz	220.5
Coil Type (Blue Fin)		Copper Tube / Aluminum Fin	
REFRIGERANT PIPING			
Line Set Size (Liquid - Gas)		in	3/8 - 3/4
Pre-Charge Length		ft	31
Additional Charge		oz/ft	0.32
Pipe Length (Min - Max)		ft	10 - 100
Max. Pipe Elevation		ft	50
ELECTRICAL			
Power Supply (Voltage Operating Range)		208/230V / 1Ph / 60 Hz	
Outdoor Unit	Rated Current (Cooling / Heating)	amps	30 / 31
	MCA / MOCP	amps	35 / 45
Main Power Wire Size		AWG	Size Per Local Code
LIMITED WARRANTY		5 Years Parts and Compressor - Residential	

EXTENDED RATINGS

FLEXX48C / FLEXX60HP230V1A0

COOLING PERFORMANCE						HEATING PERFORMANCE				
Outdoor Ambient Temperature (DB)		Return Air Temperature				Outdoor Ambient Temperature (DB)		Return Air Temperature		
		80°F (DB)						70°F (DB)		
		TC (Btu/h)	SHR	EER	Power Input (W)			TC (Btu/h)	COP	Power Input (W)
MAX OUTPUT	5°F	48000	71.5%	15.74	3050	MAX OUTPUT	-22°F	26400	1.36	5700
	10°F	48000	73.8%	15.53	3090		-20°F	27000	1.37	5800
	15°F	48000	73.0%	15.38	3120		-15°F	28500	1.42	5900
	20°F	48000	74.0%	15.29	3140		-10°F	32000	1.55	6050
	25°F	48000	74.6%	15.19	3160		-5°F	34200	1.62	6200
	30°F	48000	72.8%	15.14	3170		0°F	38000	1.71	6500
	35°F	48000	73.9%	15.00	3200		5°F	43000	1.82	6920
	40°F	48000	72.5%	14.72	3260		10°F	45000	1.91	6900
	45°F	48000	74.2%	14.41	3330		15°F	47000	2.00	6890
	50°F	48000	73.0%	14.12	3400		17°F	48000	2.05	6880
	55°F	48000	73.8%	13.71	3500		20°F	48000	2.17	6500
	60°F	48000	74.0%	13.22	3630		25°F	48000	2.27	6200
	65°F	48000	73.0%	12.80	3750		30°F	48000	2.41	5850
	70°F	48000	74.5%	12.63	3800		35°F	48000	2.56	5500
	75°F	48000	72.8%	12.47	3850		40°F	48000	2.82	5000
	80°F	48000	73.4%	12.06	3980		45°F	49000	3.19	4500
	85°F	48900	72.5%	11.93	4100		47°F	50000	3.48	4210
	90°F	48900	74.7%	11.11	4400		50°F	50000	3.49	4200
	95°F	48900	73.0%	10.36	4720		55°F	51000	3.52	4250
	100°F	48900	73.8%	9.78	5000		60°F	52000	3.55	4300
	105°F	48000	72.0%	9.06	5300		65°F	52000	3.56	4280
	110°F	46000	73.9%	9.02	5100		70°F	52000	3.59	4250
	115°F	43500	74.0%	8.95	4860		75°F	48000	3.66	3850
	120°F	36000	71.7%	8.00	4500					
125°F	31000	70.6%	7.05	4400						
129°F	27000	71.0%	6.21	4350						

LEGEND: W - Watts
 DB - Dry Bulb
 TC - Total Capacity
 SHR - Sensible Heat Ratio
 COP - Coefficient of Performance

SPECIFICATIONS		FLEXX48C / FLEXX60AC230V1AO	
System Type		AIR CONDITIONER	
SYSTEM PERFORMANCE			
Cooling	Rated Capacity @ 95°F	Btu/h	48000
	Min-Max Capacity	Btu/h	34000 - 48000
SEER / EER		18 / 11	
Energy Star®		NO	
Cooling Temperature Range		°F	40 - 118
INDOOR COIL		FLEXX48C	
Dehumidification		pt/hr	9.94
Condensate Drain Size (OD)		in	3 / 4
Unit Dimension (WxHxD)		in	24 1/2 × 28 1/2 × 21 1/4
Package Dimension (WxHxD)		in	28 1/8 × 31 5/16 × 27 1/8
Refrigerant Charge - R410A		oz	88
Weight (Net / Gross)		lbs	94.8 / 110.2
OUTDOOR UNIT		FLEXX60AC230V1AO	
Compressor Type		Inverter Rotary	
Compressor RLA		amps	19
Fan Motor Output Power		W	149
Fan Motor (2)		amps	1.5 Ea
Sound Pressure Level		dB(A)	58
Unit Dimension (WxHxD)		in	37 1/4 x 56 1/3 x 16 3/16
Package Dimension (WxHxD)		in	40 7/8 × 62 1/4 × 17 1/4
Weight (Net / Gross)		lbs	262.4 / 288.8
Refrigerant Charge - R410A		oz	194
Coil Type (Blue Fin)		Copper Tube / Aluminum Fin	
REFRIGERANT PIPING			
Line Set Size (Liquid - Gas)		in	3/8 - 3/4
Pre-Charge Lengh		ft	31
Additional Charge		oz/ft	0.32
Pipe Length (Min - Max)		ft	10 - 100
Max. Pipe Elevation		ft	50
ELECTRICAL			
Power Supply (Voltage Operating Range)		208/230V / 1Ph / 60 Hz	
Outdoor Unit	Rated Current	amps	30
	MCA / MOCP	amps	35 / 45
Main Power Wire Size		AWG	Size Per Local Code
LIMITED WARRANTY		5 Years Parts and Compressor - Residential	

COOLING PERFORMANCE					
Outdoor Ambient Temperature (DB)		Return Air Temperature			
		80°F (DB)			
		TC (Btu/h)	SHR	EER	Power Input (W)
MAX OUTPUT	40°F	48000	72.5%	14.9	3220
	45°F	48000	74.2%	14.6	3290
	50°F	48000	73.0%	14.3	3360
	55°F	48000	73.8%	13.9	3460
	60°F	48000	74.0%	13.4	3590
	65°F	48000	73.0%	12.9	3710
	70°F	48000	74.5%	12.8	3760
	75°F	48000	72.8%	12.6	3810
	80°F	48000	73.4%	12.2	3940
	85°F	48900	72.5%	12.0	4060
	90°F	48900	74.7%	11.2	4360
	95°F	48900	73.0%	10.4	4680
	100°F	48900	73.8%	9.9	4960
	105°F	48000	72.0%	9.1	5260
	110°F	46000	73.9%	9.1	5060
115°F	43500	74.0%	9.0	4820	
118°F	36000	71.7%	8.1	4460	

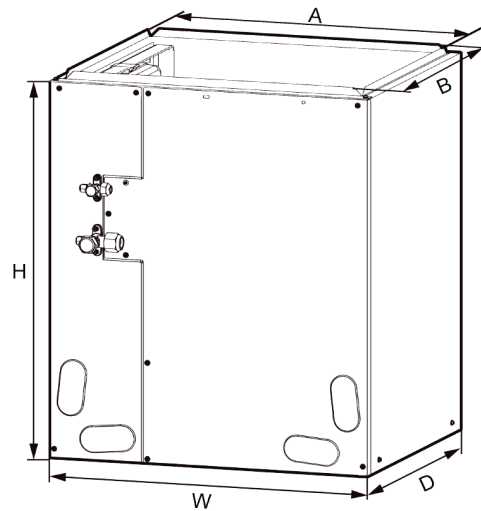
LEGEND: W - Watts
 DB - Dry Bulb
 TC - Total Capacity
 SHR - Sensible Heat Ratio

FEATURES SUMMARY**FLEXX48C / FLEXX60HP230V1AO****SYSTEM FEATURES**

Compressor	Inverter
Ultra Low Frequency Torque Control	YES
Power Factor Correction	YES
Compressor Type	Rotary
Refrigerant Type	R410A
Outdoor Electronic Expansion Valve (EEV)	YES
Indoor TXV Control	YES
Basepan With Electric Heater	YES
Compressor With Electric Heater	YES
Fin Coating (Outdoor & Indoor)	Acrylic Resin
Intelligent Defrosting	YES
Intelligent Preheating	YES
Low Voltage Startup	YES
Memory/Power Failure Recovery	YES
Self Diagnosis	YES

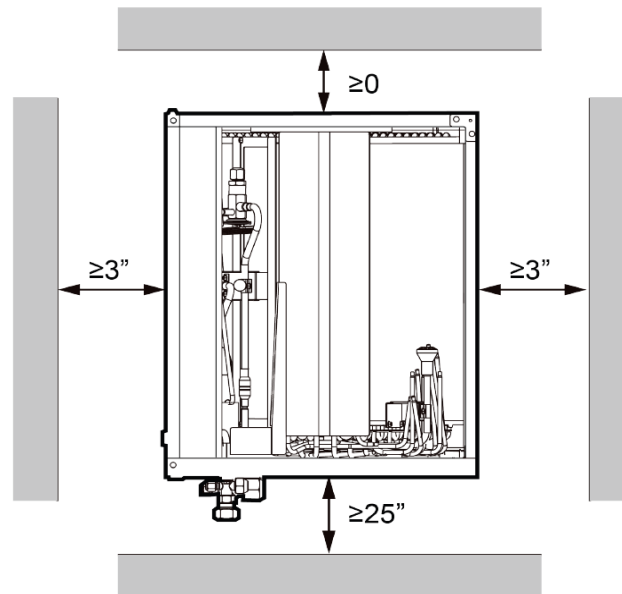
FEATURES SUMMARY**FLEXX48C / FLEXX60AC230V1AO****SYSTEM FEATURES**

Inverter Type	G10
Ultra Low Frequency Torque Control	Yes
Power Factor Correction	Yes
Compressor Type	Rotary
Basepan With Electric Heater	No
Indoor & Outdoor Fin Coating	Yes
Low Voltage Startup	Yes
Memory/Power Failure Recovery	Yes
Self Diagnosis	Yes
Smart Thermostat / 24V Thermostat Compatible	Yes



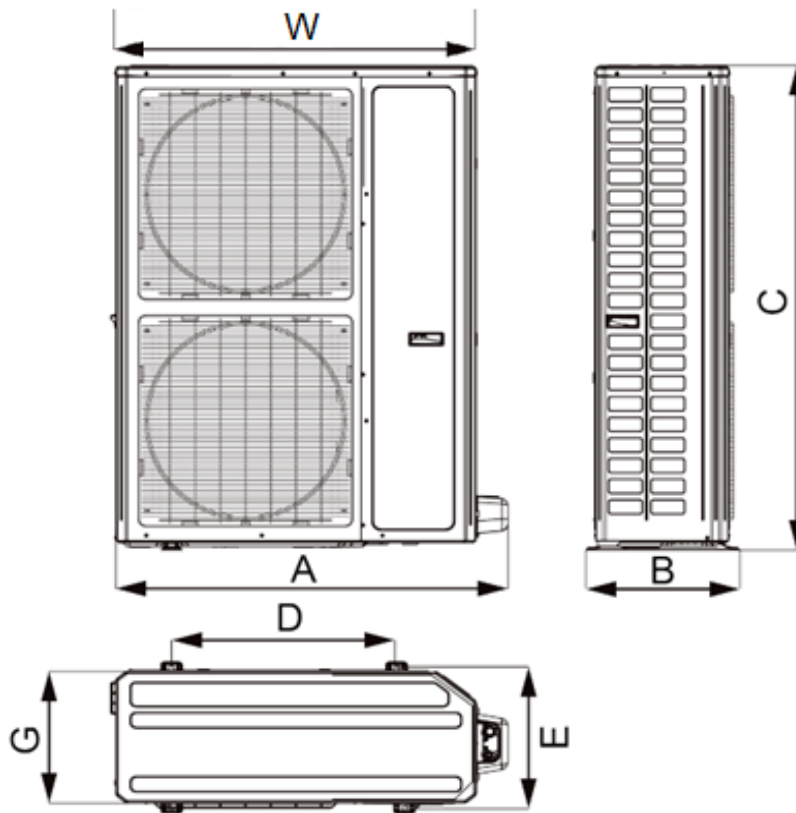
Dimensions	
A	22 7/8
B	19 3/8
H	28 1/2
W	24 1/2
D	21 1/4

Unit = inch

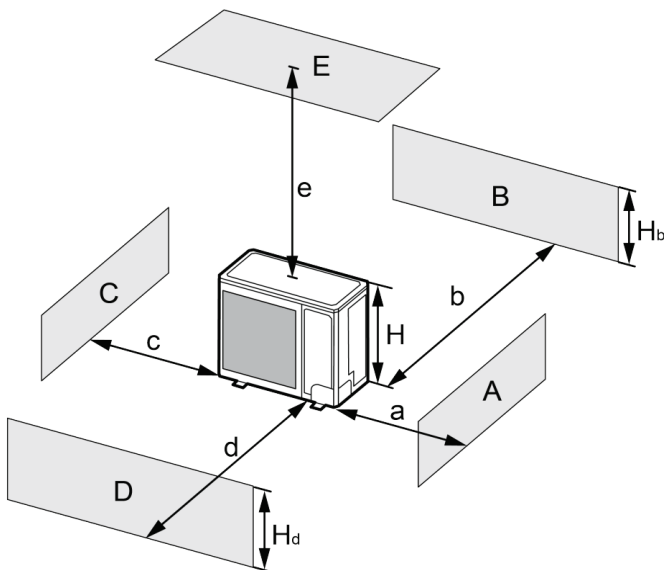


When installing the coil, take consideration to minimize the length of refrigerant tubing as much as possible. Do not install the air handler in a location either above or below the condenser that violates the instructions provided with the condenser. Service clearance is to take precedence. Allow a minimum of 25" in front of the unit for service clearance, as shown below.

The drain pan must be at least 2" away from a standard gas-fired furnace heat exchanger and at least 4"-6" away from any drum-type or oil-fired furnace heat exchanger, depending on furnace model. Closer spacing may damage the drain pan and cause a leak.

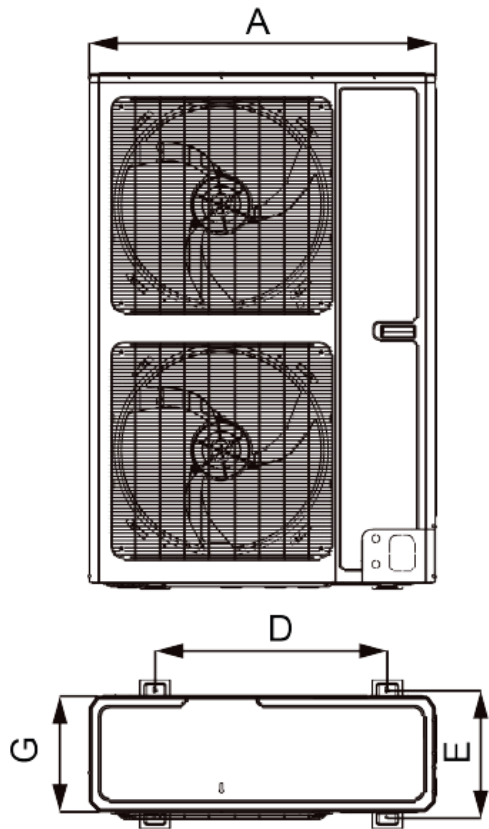


Dimensions	
A	42 3/4
B	16 7/8
C	53 5/8
D	24 3/8
E	15 5/8
G	14 1/2
W	39 3/8

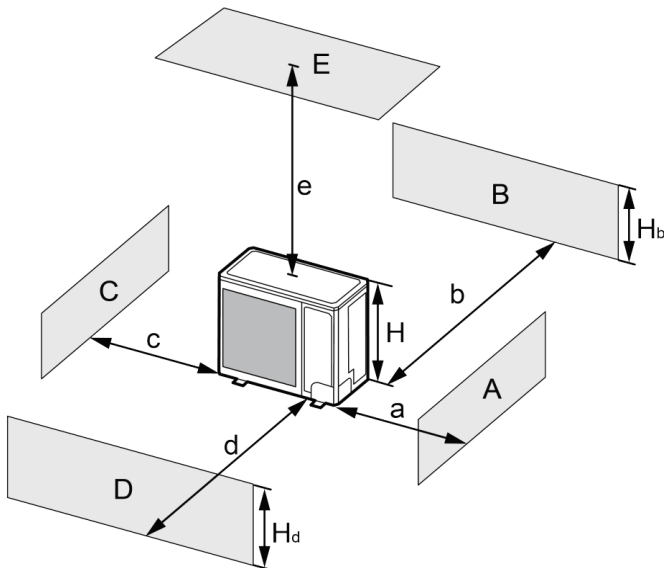


A~E	H _b	H _d	H	(in)				
				a	b	c	d	e
B	—	—	—	-	≥ 4	-	-	-
A,B,C,	—	—	—	≥ 12	≥ 4	≥ 4	-	-
B,E	—	—	—	-	≥ 4	-	-	≥ 40
A,B,C,E	—	—	—	≥ 12	≥ 6	≥ 6	-	≥ 40
D	—	—	—	-	-	-	≥ 40	-
D,E	—	—	—	-	-	-	≥ 40	≥ 40
B,D	H _b < H _d	H _d > H	—	-	≥ 4	-	≥ 40	-
	H _b > H _d	H _d < H	—	-	≥ 4	-	≥ 40	-
B,D,E	H _b < H _d	H _b ≤ 1/2H	-	≥ 10	-	≥ 80	≥ 40	
		1/2H < H _b ≤ H	-	≥ 10	-	≥ 80	≥ 40	
	H _b > H							Prohibited
	H _b > H _d	H _d ≤ 1/2H	-	≥ 4	-	≥ 80	≥ 40	
		1/2H < H _d ≤ H	-	≥ 8	-	≥ 80	≥ 40	
H _d > H							Prohibited	

Specifications are subject to change without notice. Manufacturer reserves the right to discontinue or modify specifications or designs without notice or without incurring obligations. All Rights reserved.



Dimensions	
A	37 1/4
B	16 3/16
C	56 1/3
D	24 7/8
E	13 7/8
G	12 5/8



A~E	H _b	H _d	H	(in)				
				a	b	c	d	e
B	—	—	—	-	≥ 4	-	-	-
A,B,C,	—	—	—	≥ 12	≥ 4	≥ 4	-	-
B,E	—	—	—	-	≥ 4	-	-	≥ 40
A,B,C,E	—	—	—	≥ 12	≥ 6	≥ 6	-	≥ 40
D	—	—	—	-	-	-	≥ 40	-
D,E	—	—	—	-	-	-	≥ 40	≥ 40
B,D	H _b < H _d	H _d > H	—	-	≥ 4	-	≥ 40	-
	H _b > H _d	H _d < H	—	-	≥ 4	-	≥ 40	-
B,D,E	H _b < H _d	H _b ≤ 1/2H	—	≥ 10	-	≥ 80	≥ 40	
		1/2H < H _b ≤ H	—	≥ 10	-	≥ 80	≥ 40	
	H _b > H							Prohibited
	H _b > H _d	H _d ≤ 1/2H	—	≥ 4	-	≥ 80	≥ 40	
		1/2H < H _d ≤ H	—	≥ 8	-	≥ 80	≥ 40	
H _d > H							Prohibited	

Specifications are subject to change without notice. Manufacturer reserves the right to discontinue or modify specifications or designs without notice or without incurring obligations. All Rights reserved.