



Unitary Side Discharge Split System 24VAC Control

Submittal Data: FLEXX48AH/60HP230V1A 48000 BTU/H (208/230V) HEAT PUMP SYSTEM

Job Name	Location	Date
Purchaser	Engineer	
Submitted To	For <input type="checkbox"/> Reference <input type="checkbox"/> Approval <input type="checkbox"/> Construction	
Unit Designation	Schedule No.	

GENERAL FEATURES

- Side Discharge Outdoor Unit
- Zero Lot Line Design
- Match with Gree or Competitive Indoor Unit
- Designed for New Construction or Replacement Market
- Quiet Outdoor Operation - 55 dB(A)
- 24VAC Thermostat Compatible
- Acrylic Resin/Anti-Corrosion Fin Coating
- 5 yr. Limited Compressor & Parts Warranty (Residential Only)



System Ratings

Cooling	
Rated Capacity (BTU/H)	48000
Capacity Range (BTU/H)	34000-48000
Power Input (W)	4360
SEER	18
EER	11

Heating	
Rated Capacity at 47° F (BTU/H)	48000
Capacity Range (BTU/H)	34000-52000
Power Input (W)	3910
HSPF	10.5
COP	3.6

Heating	
Rated Capacity at 17° F (BTU/H)	33000
Power Input (W)	3810
COP	2.54

Operating Range			
Cooling	(Max)	129°F (46°C)	
	(Min)	5°F (-18°C)	
Heating	(Max)	75°F (24°C)	
	(Min)	-22°F (-30°C)	

Refrigerant Piping Data	
Gas Pipe Size - OD (in)	3/4
Liquid Pipe Size - OD (in)	3/8
Connection Method	Flared
Factory Charge (oz)	220.8
Additional Charge (oz/ft)	0.3
Factory Charge Length (ft)	25
MAX Refrigerant Pipe Length (ft)	98
MIN Refrigerant Pipe Length (ft)	10
MAX Refrigerant Pipe Elevation (ft)	49

Indoor Unit Data - FLEXX48HP230V1AH

Fan Motor	Output Power (HP)	1
	FLA (A)	3.2
Airflow		
	CFM	1470
	Rated External Static Pressure	0.2
	External Static Pressure Range (InWg)	0-4
	Sound Pressure Level (dB(A))	50
Dehumidication (pt/hr)		7
Power Supply (Dedicated Circuit: Size Per Local Code)		
	Normal Operational Voltage	208/230 V, 1 Phase, 60 Hz
	Voltage Range	187 - 253 V
	MCA (A)	4
	MOCP/Breaker Size (A)	15

Outdoor Unit Data - FLEXX60HP230V1A0

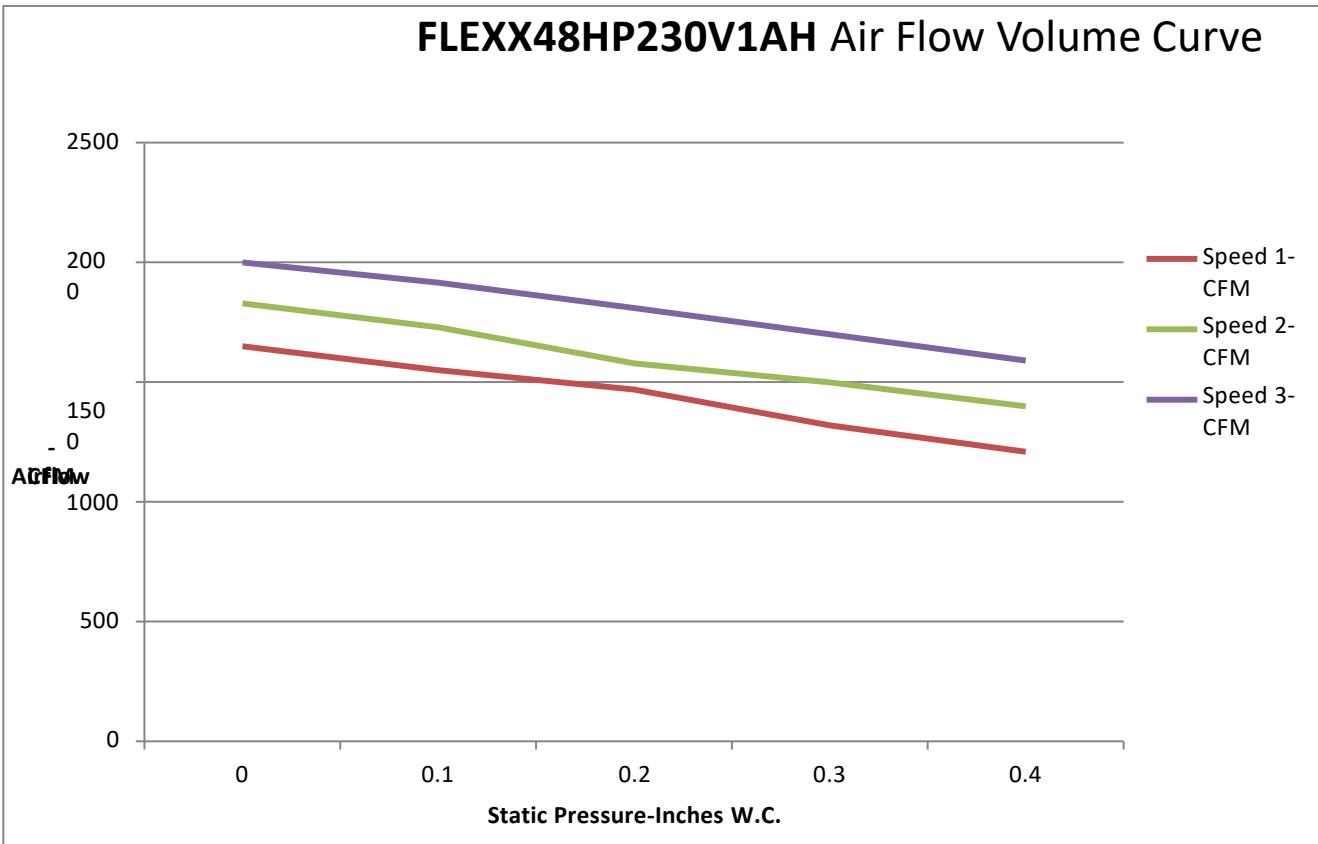
Compressor	DC Inverter Driven Rotary	
	RLA (A)	19
Refrigerant Type	R410A	
Fan Motor		
	Output Power (HP)	1/5 x 2
	FLA (A)	1.5 x 2
Crankcase Heater (W)	40	
Sound Pressure Level - dB(A)	58	
Power Supply (Dedicated Circuit: Size Per Local Code)		
	Normal Operational Voltage	208/230 V, 1 Phase, 60 Hz
	Voltage Range (V)	187 - 253
	MCA (A)	35
	MOCP/Breaker Size (A)	45



SYSTEM FEATURES	
Compressor	Inverter
Ultra Low Frequency Torque Control	YES
Power Factor Correction	YES
Compressor Type	Rotary
Refrigerant Type	R410A
Outdoor Electronic Expansion Valve (EEV)	YES
Indoor TXV Control	YES
Basepan With Electric Heater	YES
Compressor With Electric Heater	YES
Outdoor Fin Coating	Acrylic Resin
Intelligent Defrosting	YES
Intelligent Preheating	YES
Low Voltage Startup	YES
Memory/Power Failure Recovery	YES
Self Diagnosis	YES
Low Ambient Cooling	YES
24VAC Thermostat Compatible	YES
Indoor Fan Type	Centrifugal
Multi Fan Speeds	3 Speeds
Auxiliary Electrical Heater	Optional

FAN PERFORMANCE CURVES

FLEXX48HP230V1AH Air Flow Volume Curve



Static Pressure - InWc	0	0.1	0.2	0.3	0.4
Speed 1-CFM	1650	1550	1470	1320	1210
Speed 2-CFM	1830	1730	1580	1500	1400
Speed 3-CFM	2000	1915	1810	1700	1590

COOLING PERFORMANCE

Outdoor Ambient Temperature (DB)		Return Air Temperature			
		80°F (DB)			
		TC (Btu/h)	SHR	EER	Power Input (W)
MAX OUTPUT	5°F	48000	71.50%	15.74	3050
	10°F	48000	73.75%	15.53	3090
	15°F	48000	73.00%	15.38	3120
	20°F	48000	73.96%	15.29	3140
	25°F	48000	74.58%	15.19	3160
	30°F	48000	72.80%	15.14	3170
	35°F	48000	73.88%	15.00	3200
	40°F	48000	72.50%	14.72	3260
	45°F	48000	74.17%	14.41	3330
	50°F	48000	73.00%	14.12	3400
	55°F	48000	73.75%	13.71	3500
	60°F	48000	73.96%	13.22	3630
	65°F	48000	73.00%	12.80	3750
	70°F	48000	74.50%	12.63	3800
	75°F	48000	72.80%	12.47	3850
	80°F	48000	73.40%	12.06	3980
	85°F	48900	72.50%	11.93	4100
	90°F	48900	74.68%	11.11	4400
	95°F	48900	73.00%	10.36	4720
	100°F	48900	73.75%	9.78	5000
	105°F	48000	72.00%	9.06	5300
110°F	46000	73.94%	9.02	5100	
115°F	43500	74.00%	8.95	4860	
120°F	36000	71.67%	8.00	4500	
125°F	31000	70.60%	7.05	4400	
129°F	27000	71.00%	6.21	4350	

HEATING PERFORMANCE

Outdoor Ambient Temperature (DB)		Return Air Temperature		
		70°F (DB)		
		TC (Btu/h)	COP	Power Input (W)
MAX OUTPUT	-22°F	26400	1.36	5700
	-20°F	27000	1.37	5800
	-15°F	28500	1.42	5900
	-10°F	32000	1.55	6050
	-5°F	34200	1.62	6200
	0°F	38000	1.71	6500
	5°F	43000	1.82	6920
	10°F	45000	1.91	6900
	15°F	47000	2.00	6890
	17°F	48000	2.05	6880
	20°F	48000	2.17	6500
	25°F	48000	2.27	6200
	30°F	48000	2.41	5850
	35°F	48000	2.56	5500
	40°F	48000	2.82	5000
	45°F	49000	3.19	4500
	47°F	50000	3.48	4210
	50°F	50000	3.49	4200
	55°F	51000	3.52	4250
	60°F	52000	3.55	4300
	65°F	52000	3.56	4280
70°F	52000	3.59	4250	
75°F	48000	3.66	3850	

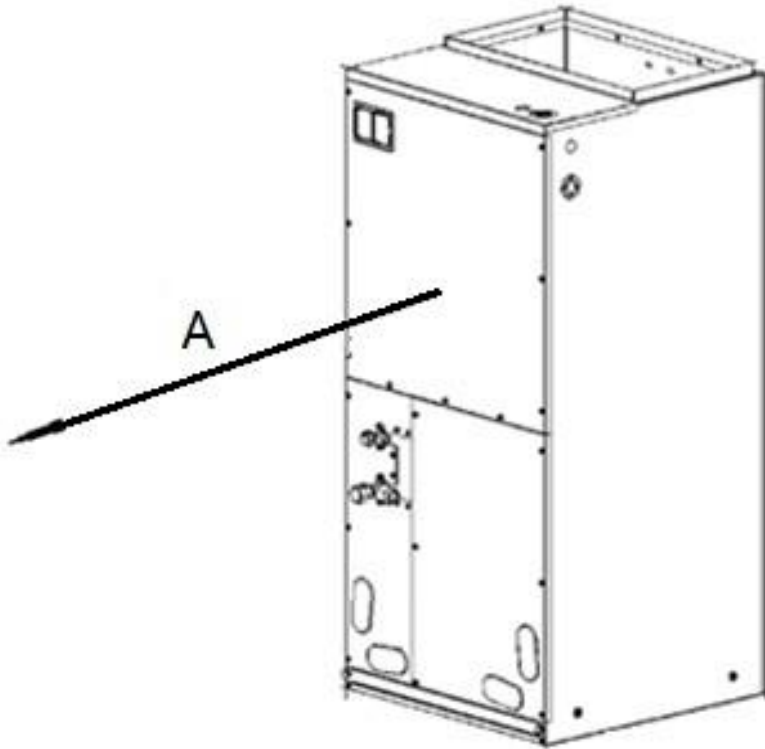
LEGEND: W - Watts
 DB - Dry Bulb
 TC - Total Capacity
 SHR - Sensible Heat Ratio
 COP - Coefficient of Performance

Submittal Data: FLEXX48HP230V1AH

MINIMUM SPACING REQUIREMENTS

Units: inches

INDOOR



A	24
ALL OTHER SIDES	0

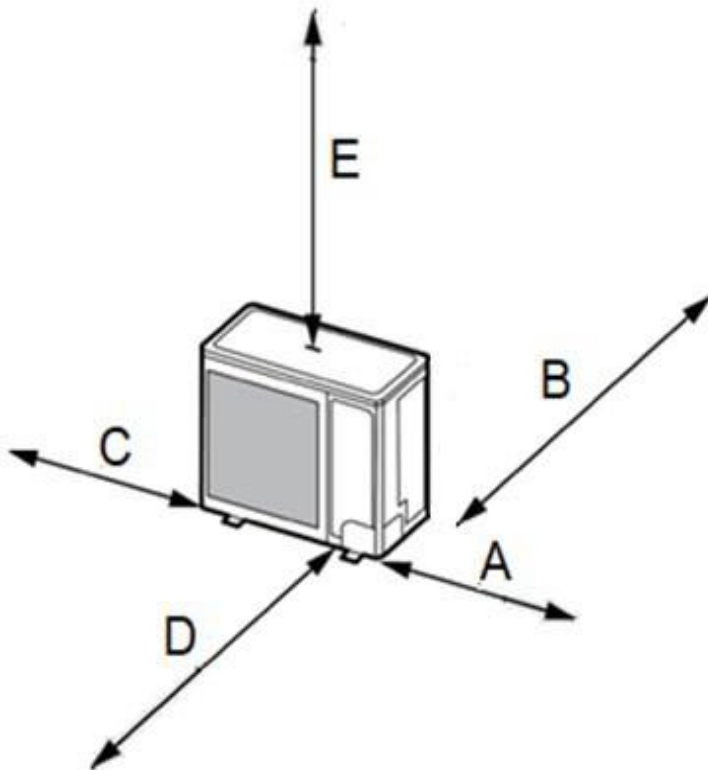
ALWAYS CHECK AND FOLLOW STATE AND LOCAL CODE REGULATIONS FOR MINIMUM SPACING REQUIREMENTS

FLEXX60HP230V1AO

MINIMUM SPACING REQUIREMENTS

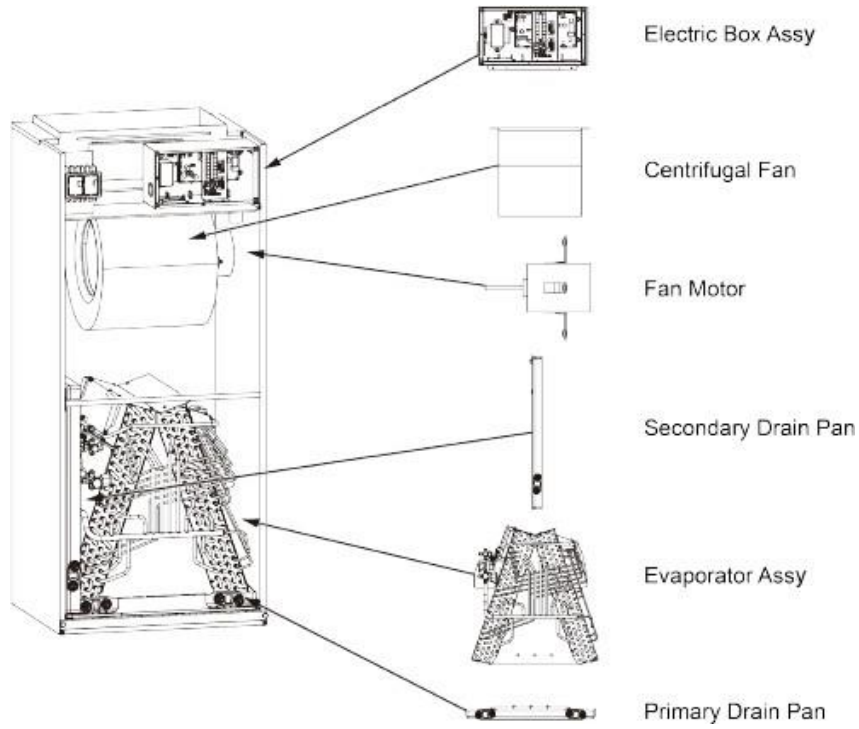
Units: inches

OUTDOOR



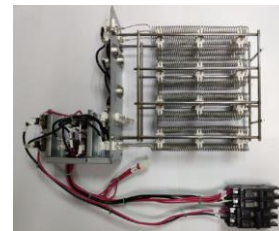
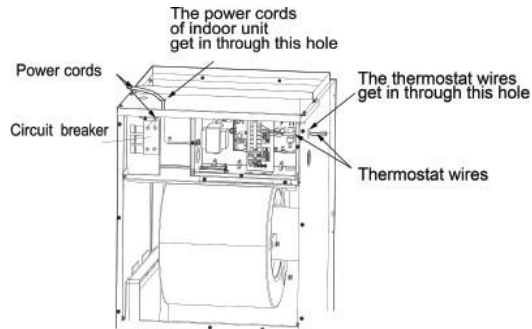
A	12
B	4
C	4
D	40
E	40

ALWAYS CHECK AND FOLLOW STATE AND LOCAL CODE REGULATIONS FOR MINIMUM SPACING REQUIREMENTS



Model	Cooling Capacity (ton)	Optional Electric Heater	KW
FLEXX36,48,60HP230V1AH	3.0 / 4.0 / 5.0	FLEXXHTR10KW	10
FLEXX48,60HP230V1AH	4.0 / 5.0	FLEXXHTR15KW	15
FLEXX48,60HP230V1AH	4.0 / 5.0	FLEXXHTR20KW	20

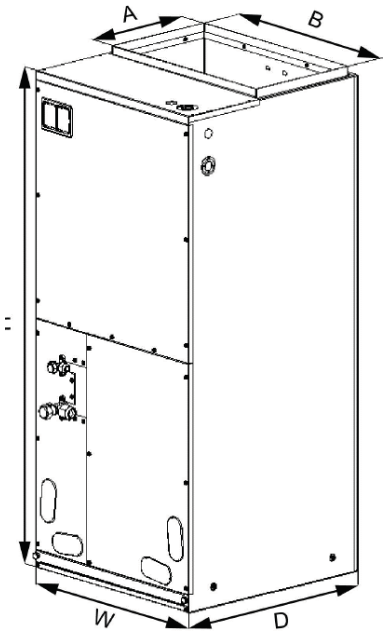
Power Supply	V	240	240	240	240	240
Rated Power	kW			10	15	20
Min. Circuit Ampacity	A			50	50 & 25	50 & 50
Max. Fuse or Breaker Ampacity	A			60	60 & 30	60 & 60



DIMENSIONAL SPECIFICATIONS FLEXX48HP230V1AH

INDOOR UNIT DIMENSIONS & WEIGHTS

Units: inch



W	24-3/4
D	21-1/4
H	57-1/4
A	11-5/8
B	20

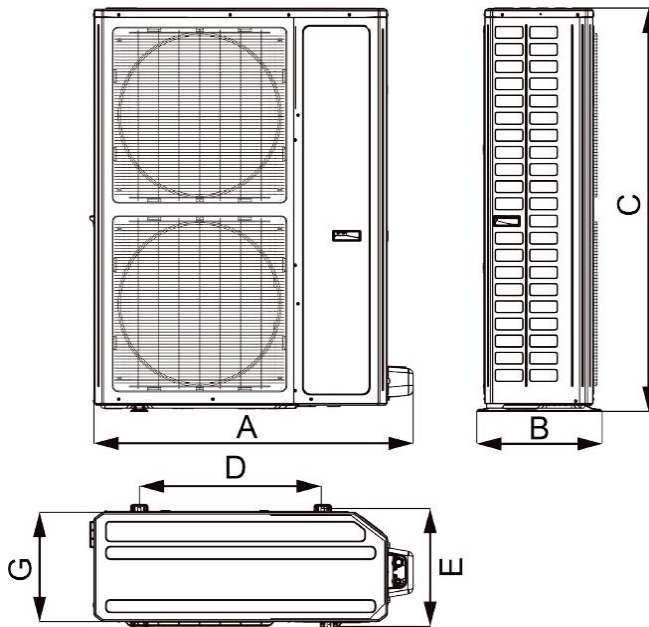
Net Weight (lbs)	202.8
Shipping Weight (lbs)	218

Liquid Line Valve	3/8-in OD Brazed
Gas Line Valve	3/4-in OD Brazed
Drain Connector	3/4 in OD

FLEXX60HP230V1AO

OUTDOOR UNIT DIMENSIONS & WEIGHTS

Units: inch



A	42-3/4
B	16-7/8
C	53-3/4
D	24-1/2
E	15-1/2
G	14-1/2

Net Weight (lbs)	308.6
Shipping Weight (lbs)	337

Liquid Line Valve	3/8-in OD Brazed
Gas Line Valve	3/4-in OD Brazed

Notes:

1. Power wiring size must comply with applicable national and local codes for both ID and OD dedicated circuits.
2. Test conditions are based on AHRI 210/240.

Specifications are subject to change without notice. Manufacturer reserves the right to discontinue or modify specifications or designs without notice or without incurring obligations. All rights reserved.