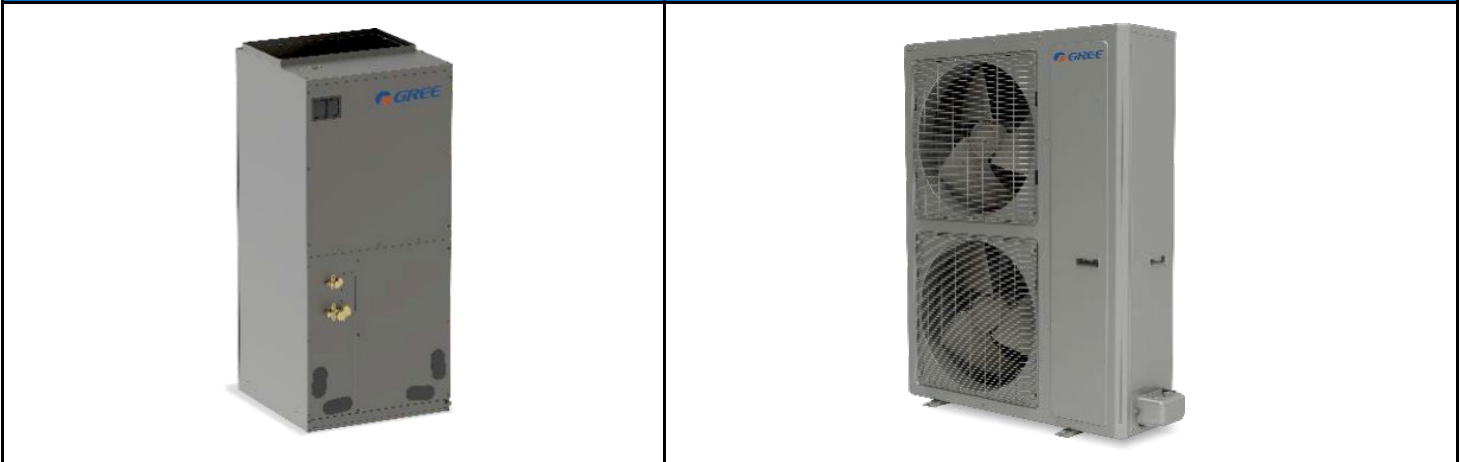




**SUBMITTAL DATA: FLEXX60HP230V1BH / FLEXX60AC230V1AO      60000 BTU/H Unitary Cooling Only Split System**

Job Name	Location	Date
Purchaser	Engineer	
Submitted To	For	
Unit Designation	Schedule No.	

<b>FLEXX60HP230V1BH</b>	<b>FLEXX60AC230V1AO</b>
-------------------------	-------------------------



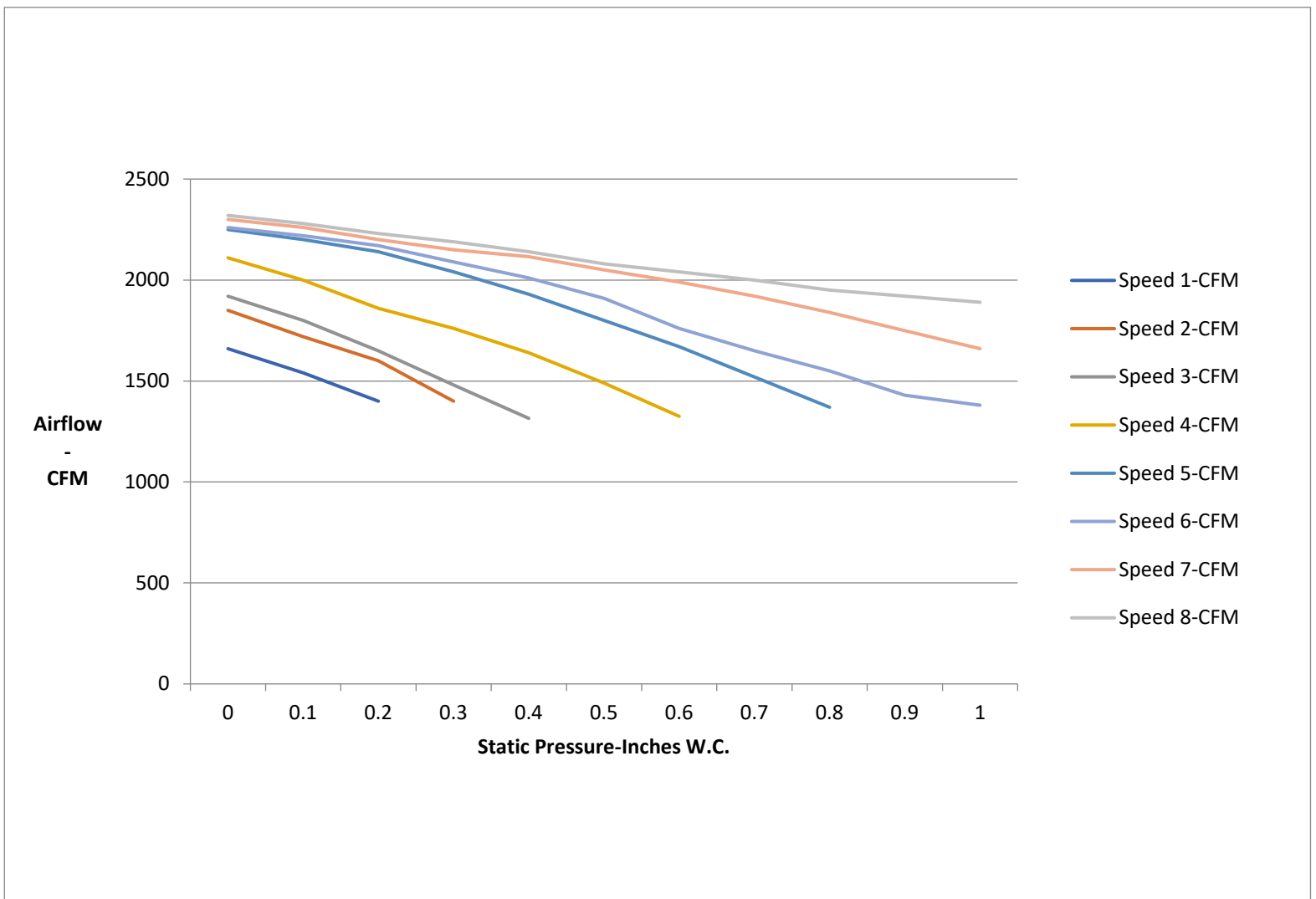
**GENERAL FEATURES**

- High Efficiency DC Inverter Technology**
- Compact and Quiet 55 dB(A) Side Discharge Outdoor Unit**
- Zero Lot Line Design**
- Match with Gree or Competitive Indoor Unit**
- Designed for New Construction or Replacement Market**
- 24VAC Thermostat Compatible**
- Cooling Range 40°F to 118°F**

**Acrylic Resin/Anti-Corrosion Fin Coating (Blue - 500 Hr Salt Spray Rating)**

**5 Year Limited Compressor & Parts Warranty (Residential Only)**

SPECIFICATIONS		FLEXX60HP230V1BH / FLEXX60AC230V1AO	
System Type		COOLING ONLY	
<b>SYSTEM PERFORMANCE</b>			
Cooling	Rated Capacity @ 95°F	Btu/h	54000
	Min-Max Capacity	Btu/h	35000 - 54000
SEER / EER		17 / 10.5	
Energy Star®		NO	
Cooling Temperature Range		°F	40 - 118
<b>INDOOR UNIT</b>		<b>FLEXX60HP230V1BH</b>	
Fan Motor Output Power		W	746
Fan Motor FLA		amps	5
Air Flow (Min - Max)		CFM	1600
Static Pressure (Rated / Maximum)		In w.c	0.2 / 1.0
Sound Pressure Level		dB(A)	51
Dehumidification		pt/hr	12.13
Condensate Drain Size (OD)		in	3 / 4
Unit Dimension (WxHxD)		in	24 3/4 x 57 x 21 1/4
Package Dimension (WxHxD)		in	27 5/16 x 59 3/8 x 26
Weight (Net / Gross)		lbs	202 / 218
Electric Heater (Optional)		kW	10, 15, 20
<b>OUTDOOR UNIT</b>		<b>FLEXX60AC230V1AO</b>	
Compressor Type		Inverter Rotary	
Compressor RLA		amps	19
Fan Motor Output Power (2)		W	149 Ea
Fan Motor (2)		amps	1.5 Ea
Sound Pressure Level		dB(A)	58
Unit Dimension (WxHxD)		in	37 1/4 x 56 1/3 x 16 3/16
Package Dimension (WxHxD)		in	40 7/8 x 62 1/4 x 17 1/4
Weight (Net / Gross)		lbs	262.4 / 288.8
Refrigerant Charge - R410A		oz	194
Coil Type (Blue Fin)		Copper Tube / Aluminum Fin	
<b>REFRIGERANT PIPING</b>			
Line Set Size (Liquid - Gas)		in	3/8 - 3/4
Pre-Charge Length		ft	31
Additional Charge		oz/ft	0.32
Pipe Length (Min - Max)		ft	10 - 100
Max. Pipe Elevation		ft	50
<b>ELECTRICAL</b>			
Power Supply (Voltage Operating Range)		208/230V / 1Ph / 60 Hz	
Outdoor Unit	Rated Current	amps	30
	MCA / MOCP	amps	35 / 45
Indoor Unit	Rated Current	amps	5
	MCA / MOCP	amps	8 / 15
Main Power Wire Size		AWG	Size Per Local Code
<b>LIMITED WARRANTY</b>		<b>5 Years Parts and Compressor - Residential</b>	



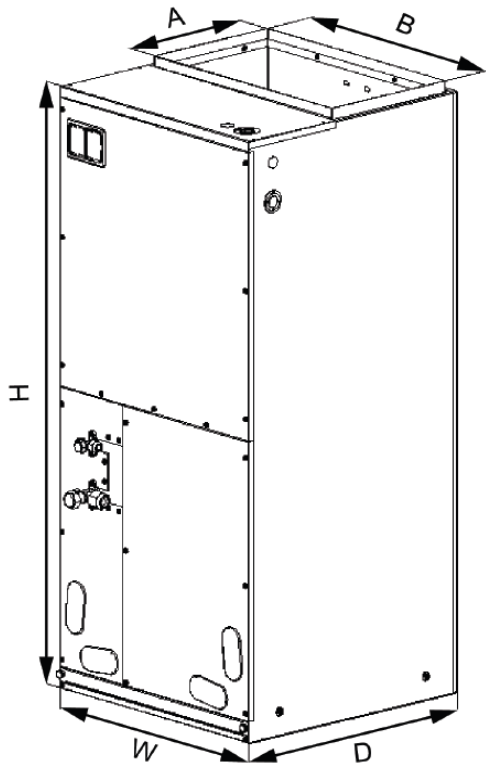
Static Pressure Inches W.C.	0	0.1	0.15	0.2	0.3	0.4	0.5	0.6	0.7	0.8	0.9	1.0
Speed 1-CFM	1660	1540	1470	1400								
Speed 2-CFM	1850	1720	1650	1600	1400							
Speed 3-CFM	1920	1800	1730	1650	1480	1315						
Speed 4-CFM	2110	2000	1950	1860	1760	1640	1490	1325				
Speed 5-CFM	2250	2200	2190	2140	2040	1930	1800	1670	1520	1370		
Speed 6-CFM	2260	2220	2200	2170	2090	2010	1910	1760	1650	1550	1430	1380
Speed 7-CFM	2300	2260	2230	2200	2150	2115	2050	1990	1920	1840	1750	1660
Speed 8-CFM	2320	2280	2250	2230	2190	2140	2080	2040	2000	1950	1920	1890

<b>COOLING PERFORMANCE</b>					
Outdoor Ambient Temperature (DB)		Return Air Temperature			
		80°F (DB)			
		TC (Btu/h)	SHR	EER	Power Input (W)
<b>MAX OUTPUT</b>	40°F	54000	69.5%	13.6	3980
	45°F	54000	71.2%	13.4	4040
	50°F	54000	70.0%	13.2	4080
	55°F	54000	70.8%	13.1	4120
	60°F	54000	71.0%	13.0	4160
	65°F	54000	70.0%	12.8	4210
	70°F	54000	71.5%	12.6	4290
	75°F	54000	69.8%	12.4	4360
	80°F	54000	70.4%	12.1	4460
	85°F	55000	69.5%	11.9	4610
	90°F	55000	71.7%	11.1	4960
	95°F	55000	70.0%	10.2	5370
	100°F	55000	70.8%	9.2	5960
	105°F	54000	69.0%	8.2	6610
	110°F	50000	70.9%	8.1	6140
	115°F	46000	71.0%	8.1	5660
118°F	38000	68.7%	7.7	4960	

**LEGEND:** W - Watts  
 DB - Dry Bulb  
 TC - Total Capacity  
 SHR - Sensible Heat Ratio

**FEATURES SUMMARY****FLEXX60HP230V1BH / FLEXX60AC230V1AO**

<b>SYSTEM FEATURES</b>	
Inverter Type	G10
Ultra Low Frequency Torque Control	Yes
Power Factor Correction	Yes
Compressor Type	Rotary
Basepan With Electric Heater	No
Indoor & Outdoor Fin Coating	Yes
Low Voltage Startup	Yes
Memory/Power Failure Recovery	Yes
Self Diagnosis	Yes
Smart Thermostat / 24V Thermostat Compatible	Yes
Wired Controller Interface	No
WiFi Included	No
Indoor Fan Type	Centrifugal
Multi Fan Speeds	8
Rated External Static Pressure	0.1
External Static Pressure (Min - Max)	0 - 1.0
Indoor Unit Display	No
Auxiliary Electrical Heater	Optional
Ventilation (Outdoor Air)	No



Dimensions	
A	11 5/8
B	20
H	57
W	24 3/4
D	21 1/4

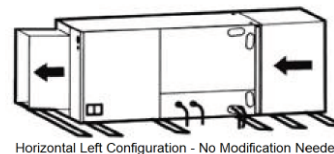
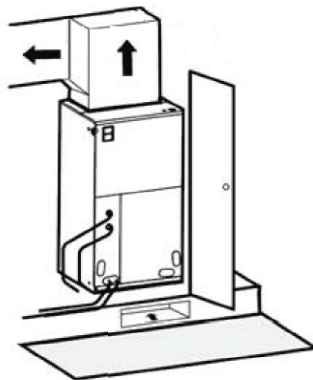
Filter Size	
Supplied*	20 5/8 x 20 5/16 x 1/2
Suggested	20 5/8 x 20 5/16 x 1

\*Supplied filter is metal mesh

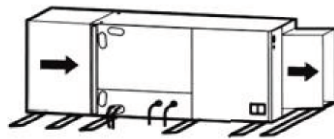
Clearances	
Front	> 24

Allow a minimum of 24" in front of the unit for service clearance. When installing in an area directly over a finished ceiling (such as an attic), an emergency drain pan is required directly under the unit. **See local and state codes for requirements.** When installing this unit in an area that may become wet, elevate the unit with a sturdy, non-porous material. In installations that may lead to physical damage (i.e. a garage) it is advised to install a protective barrier to prevent such damage. This air handler is designed for a complete supply and return ductwork system.

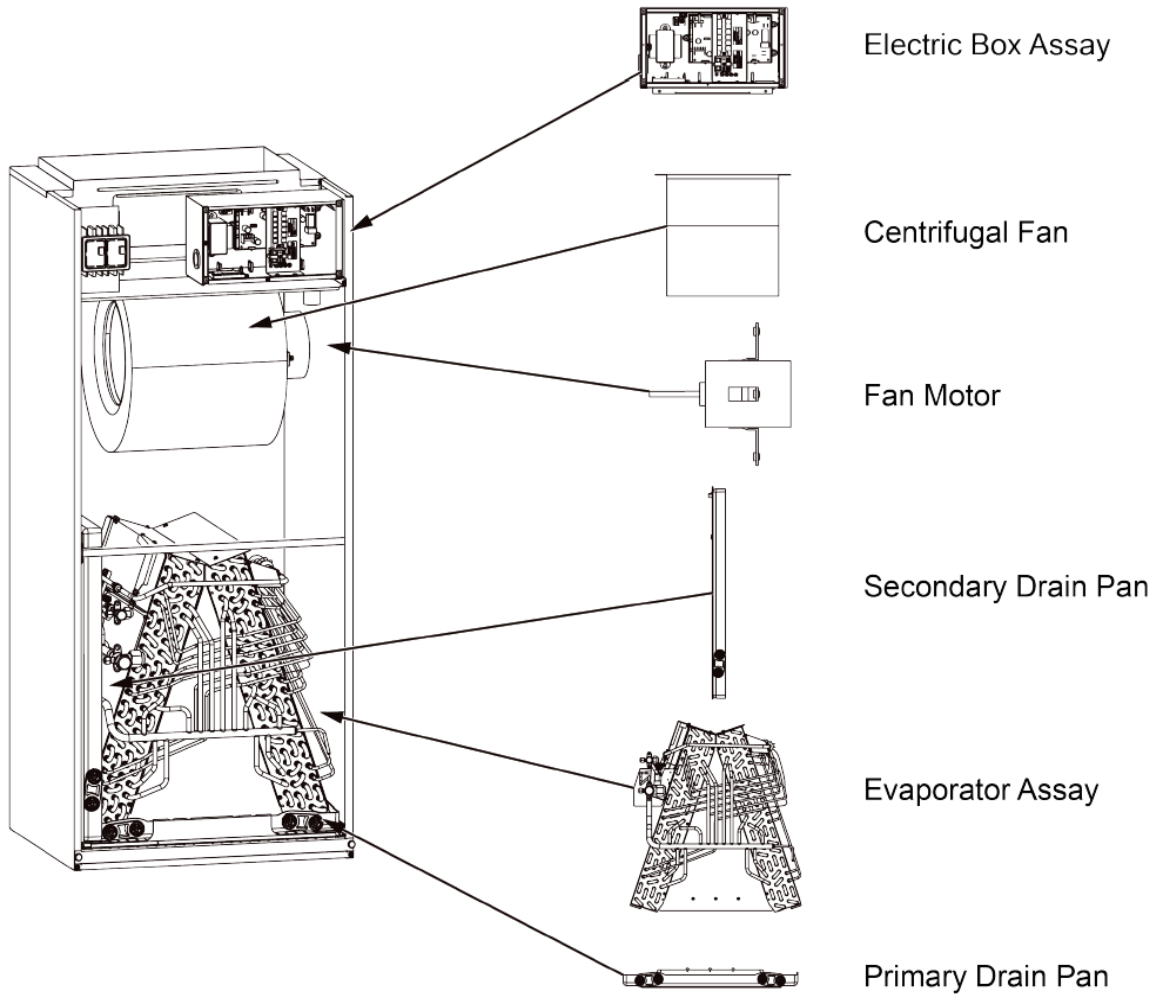
**Multi-Position Capabilities**



Horizontal Left Configuration - No Modification Needed

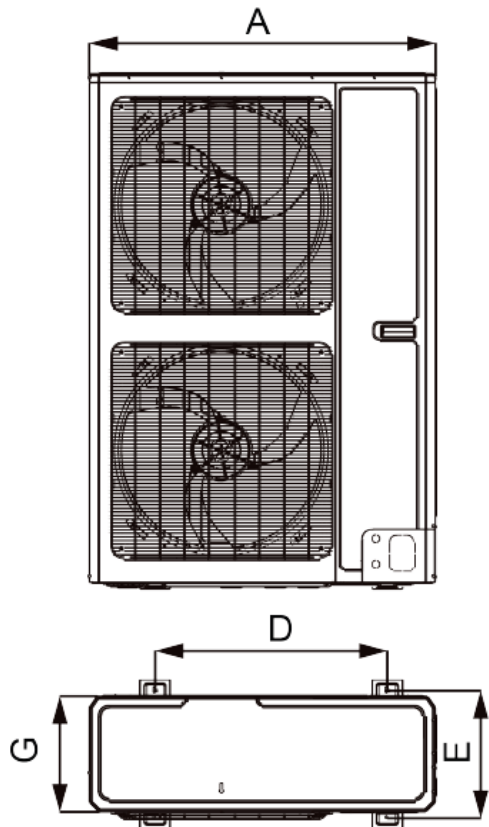


Horizontal Right Configuration - Must Relocate Drain Pan

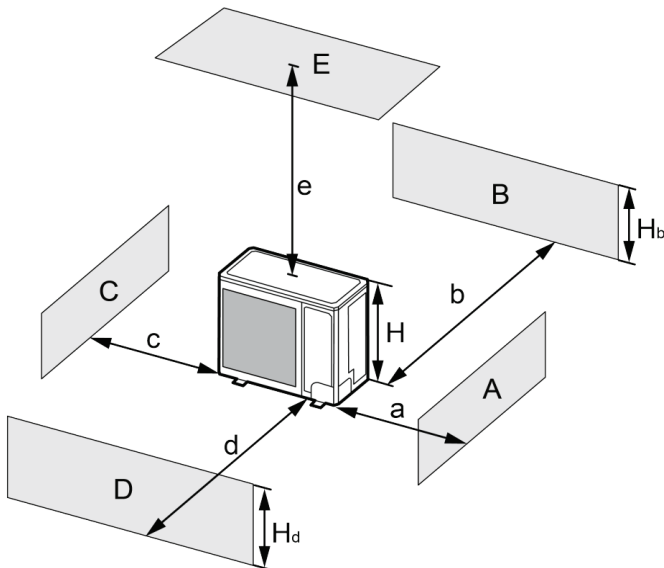


Model	Heat Kit Model	Electric Heat (kW)		Min. Circuit		Max.Fuse or Breaker	
		240V	208V	240V	208V	240V	208V
FLEXX60HP230V1BH	FLEXXHTR10KW	10	7.51	52	45	60	45
	FLEXXHTR15KW	15	11.25	52 & 26	45 & 22.6	60 & 30	45 & 25
	FLEXXHTR20KW	20	15.02	52 & 52	45 & 45	60 & 60	45 & 45
	21-4216-01	10	7.51	52	45	60	45
	21-4217-00	15	11.25	52 & 26	45 & 22.6	60 & 30	45 & 25
	21-4228-00	20	15.02	52 & 52	45 & 45	60 & 60	45 & 45





Dimensions	
A	37 1/4
B	16 3/16
C	56 1/3
D	24 7/8
E	13 7/8
G	12 5/8



A~E	H <sub>b</sub>	H <sub>d</sub>	H	(in)				
				a	b	c	d	e
B	—	—	—	-	≥ 4	-	-	-
A,B,C,	—	—	—	≥ 12	≥ 4	≥ 4	-	-
B,E	—	—	—	-	≥ 4	-	-	≥ 40
A,B,C,E	—	—	—	≥ 12	≥ 6	≥ 6	-	≥ 40
D	—	—	—	-	-	-	≥ 40	-
D,E	—	—	—	-	-	-	≥ 40	≥ 40
B,D	H <sub>b</sub> < H <sub>d</sub>	H <sub>d</sub> > H	—	-	≥ 4	-	≥ 40	-
	H <sub>b</sub> > H <sub>d</sub>	H <sub>d</sub> < H	—	-	≥ 4	-	≥ 40	-
B,D,E	H <sub>b</sub> < H <sub>d</sub>	H <sub>b</sub> ≤ 1/2H	—	-	≥ 10	-	≥ 80	≥ 40
		1/2H < H <sub>b</sub> ≤ H	—	-	≥ 10	-	≥ 80	≥ 40
	H <sub>b</sub> > H		Prohibited					
	H <sub>b</sub> > H <sub>d</sub>	H <sub>d</sub> ≤ 1/2H	—	-	≥ 4	-	≥ 80	≥ 40
		1/2H < H <sub>d</sub> ≤ H	—	-	≥ 8	-	≥ 80	≥ 40
H <sub>d</sub> > H		Prohibited						

Specifications are subject to change without notice. Manufacturer reserves the right to discontinue or modify specifications or designs without notice or without incurring obligations. All Rights reserved.