



SUBMITTAL DATA: LIVV24HP230V1A 24000 BTU/H Wall Mounted Heat Pump System

Job Name	Location	Date
Purchaser	Engineer	
Submitted To	For	
Unit Designation	Schedule No.	

YAN1F6F LIVV24HP230V1AH LIVV24HP230V1AO



XE71 (Optional)

GENERAL FEATURES

- AHRI Certificate: [205093063](#)**
- High Efficiency DC Inverter Technology**
- Compact and Quiet Design**
- Wireless Remote with LCD Display**
- Wired Controller Options**
- Wi-Fi Included**
- Low Ambient Cooling down to 0°F (Range 0°F to 115°F)**
- Low Ambient Heating down to -4°F (Range -4°F to 75°F)**
- Coil (Indoor and Outdoor) Copper Tube / Aluminum Fin*[†]**
- * (Blue Fin) 500 Hrs Salt Spray Tested**

5 Year Limited Compressor & Parts Warranty (Residential Only)

SPECIFICATIONS

LIVV24HP230V1AH / LIVV24HP230V1AO

System Type		HEAT PUMP	
SYSTEM PERFORMANCE			
Cooling	Rated Capacity @ 95°F	Btu/h	22000
	Min-Max Capacity	Btu/h	5900 - 25200
Heating	Rated Capacity @ 47°F	Btu/h	24000
	Min-Max Capacity	Btu/h	4500 - 25900
SEER / EER		19 / 10.95	
HSPF / COP		10 / 3.4	
Energy Star®		NO	
Cooling Temperature Range		°F	0 - 115
Heating Temperature Range		°F	-4 - 75
INDOOR UNIT		LIVV24HP230V1AH	
Fan Motor Output Power		W	60
Fan Motor FLA		amps	0.55
Air Flow (Min - Max)		CFM	412 - 677
Sound Pressure Level (Cooling / Heating)		dB(A)	37 - 49 / 36 - 47
Dehumidification		pt/hr	4.23
Condensate Drain Size (OD)		in	0.625
Unit Dimension (WxHxD)		in	42 1/4 x 12 3/4 x 9 5/8
Package Dimension (WxHxD)		in	45 x 16 x 13
Weight (Net / Gross)		lbs	36.4 / 45.2
OUTDOOR UNIT		LIVV24HP230V1AO	
Compressor Type		GREE G-10 / 1 STAGE INVERTER	
Compressor RLA		amps	13.00
Fan Motor Output Power		W	60
Fan Motor RLA		amps	0.65
Sound Pressure Level (Cooling / Heating)		dB(A)	59
Unit Dimension (WxHxD)		in	35 3/4 x 25 5/8 x 12 1/4
Package Dimension (WxHxD)		in	38 x 27 x 16
Weight (Net / Gross)		lbs	97 / 103.6
Refrigerant Charge - R410A		oz	53
Coil Type		Aluminum Fin-Copper Tube / Acrylic Resin Protection	
REFRIGERANT PIPING			
Line Set Size (Liquid - Gas)		in	1/4 - 5/8
Pre-Charge Lengh		ft	25
Pipe Length (Min - Max)		ft	10 - 82
Max. Pipe Elevation		ft	33
ELECTRICAL			
Power Supply (Voltage Operating Range)		208-230V / 1Ph / 60Hz	
Rated Current (Cooling / Heating)		amps	10 / 11
MCA / MOCP		amps	19 / 30
Main Power Wire Size		AWG	Size Per Local Code
Interconnecting Wire Size		AWG	14 / 4
LIMITED WARRANTY		5 Years Parts and Compressor - Residential	

Features & Function Summary**LIVV24HP230V1A****SYSTEM FEATURES**

Inverter Type	G10
Ultra Low Frequency Torque Control	Yes
Power Factor Correction	Yes
Compressor Type	High Eff. Rotary
Refrigerant Type	R410A
Basepan With Electric Heater	YES
Compressor With Electric Heater	YES
Outdoor Fin Coating (Color: Blue)	Acrylic-Resin/Anti-Corrosive
Intelligent Defrosting	YES
Force Defrosting	YES
Intelligent Preheating	YES
Low Voltage Startup	YES
Memory/Power Failure Recovery	YES
Self Diagnosis	YES
Wired Controller Interface (XE71)	YES
WiFi Included	YES
Indoor Fan Type	Crossflow
Multi Fan Speeds	4 Speeds
Indoor Unit Display	YES
Auxiliary Electrical Heater	NO
Ventilation (Outdoor Air)	NO

REMOTE CONTROLLER FUNCTIONS

Auto Mode	YES
Auto Fan	YES
Manual Horizontal Swing	YES
Auto Swing (Vertical Auto Swing)	YES
Clock on Remote Controller	YES
Dry Mode	YES
Dry Anti-Mildew (X-Fan) Mode	YES
Energy Saving Mode	YES
Dirty Filter Alert	NO
I Feel Function	YES
Lock on Remote Controller	YES
Quiet Mode	NO
Room Temperature Display	YES
Sleep Mode	YES
Timer Mode	YES
Turbo Mode	YES
Display On/Off Control	YES
Freeze Guard Mode (46 °F)	YES
Display On/Off Control	YES

EXTENDED RATINGS

LIVV24HP230V1A

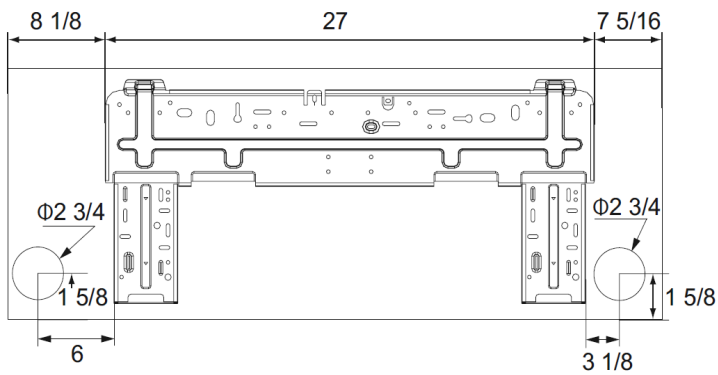
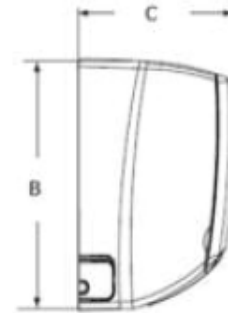
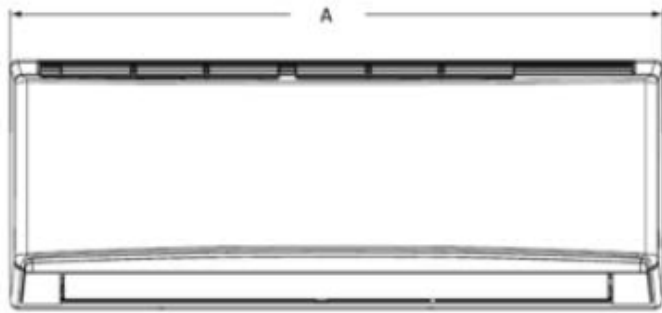
COOLING PERFORMANCE (BtuH)*

Outdoor Ambient Temperature (DB)	Indoor Entering Air Temperatures					
	68F DB		73°F DB		80°F DB	
	57F WB		61°FWB		67°FWB	
	TC	SHC	TC	SHC	TC	SHC
0°F	7480	5423	9240	6699	11000	7975
5°F	8580	6263	10340	7548	12100	8833
17°F	9680	7115	11440	8408	13200	9702
23°F	10120	7489	11880	8791	13640	10094
32°F	10560	7867	12320	9178	14080	10490
41°F	11880	8910	13640	10230	15400	11550
50°F	13200	9966	14960	11295	16720	12624
57°F	14080	10701	15840	12038	17600	13376
67°F	14740	11276	16500	12623	18260	13969
75°F	18480	14230	20240	15585	22000	16940
86°F	20460	15857	22220	17221	23980	18585
95°F	18480	14414	20240	15787	22000	17160
104°F	16280	12780	18040	14161	19800	15543
113°F	14960	11818	16720	13209	18480	14599
122°F	12760	10144	14520	11543	16280	12943

HEATING PERFORMANCE (BtuH)*

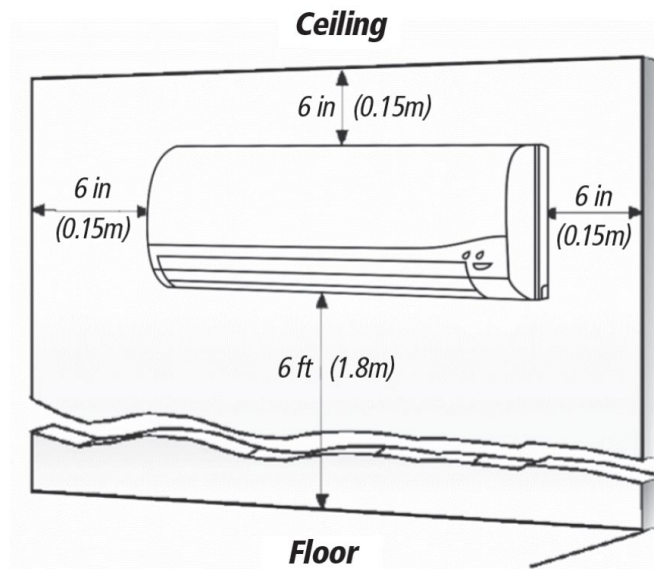
Outdoor Ambient Temperature (DB)	Indoor Entering Air Temperatures								
	68°F DB			70°F DB			80°F DB		
	57°FWB			60°FWB			67°FWB		
	TC	Power Input (KW)	COP	TC	Power Input (KW)	COP	TC	Power Input (KW)	COP
-5°F	11040	1658	1.95	11520	1691	2.00	12000	1725	2.04
0°F	12720	1691	2.20	13200	1726	2.24	13680	1760	2.28
5°F	13440	1726	2.28	13920	1761	2.32	14400	1796	2.35
10°F	13920	1761	2.32	14400	1797	2.35	14880	1833	2.38
17°F	15520	1797	2.53	16000	1834	2.56	16480	1870	2.58
19°F	16320	1834	2.61	16800	1871	2.63	17280	1909	2.65
24°F	18720	1871	2.93	19200	1909	2.95	19680	1947	2.96
32°F	20640	1909	3.17	21120	1948	3.18	21600	1987	3.19
41°F	22320	1948	3.36	22800	1988	3.36	23280	2028	3.36
43°F	23040	1988	3.40	23520	2029	3.40	24000	2069	3.40
47°F	23520	2029	3.40	24000	2070	3.40	24480	2111	3.40
53°F	23760	2089	3.33	24240	2132	3.33	24720	2175	3.33
59°F	24000	2152	3.27	24480	2196	3.27	24960	2240	3.27
64°F	24720	2217	3.27	25200	2262	3.27	25680	2307	3.26
70°F	25440	2283	3.27	25920	2330	3.26	26400	2376	3.26
75°F	26160	2352	3.26	26640	2400	3.25	27120	2448	3.25
78°F	27120	2422	3.28	27600	2472	3.27	28080	2521	3.26

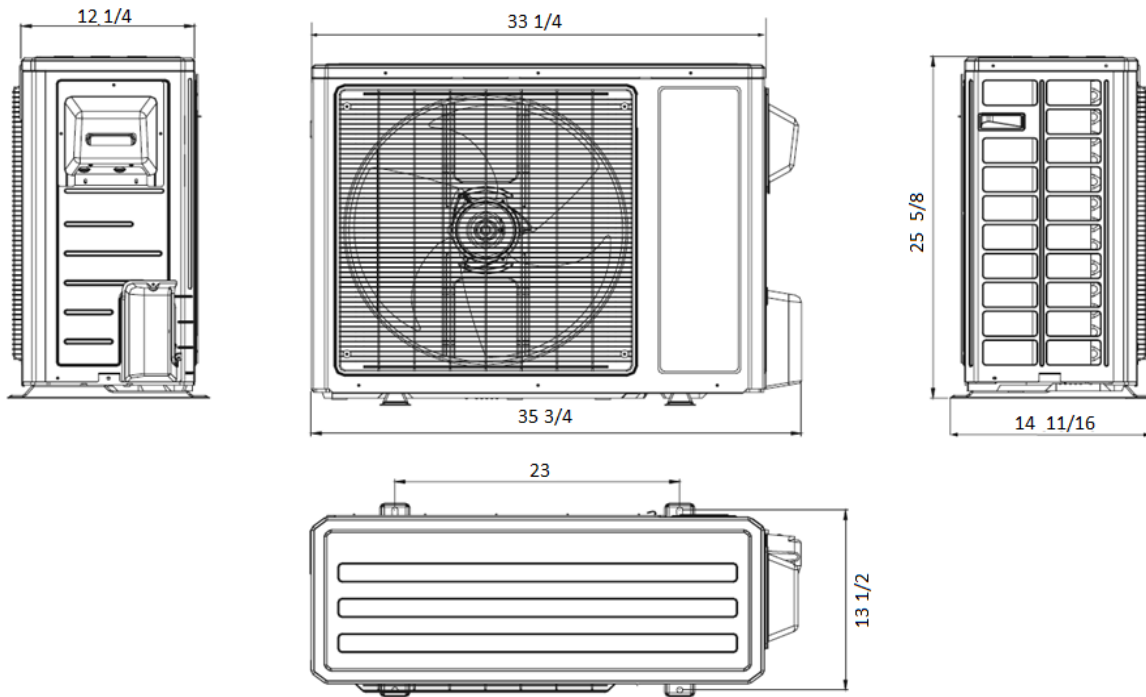
* Maximum system capacity
 TC- Total Capacity (BtuH)
 COP- Coefficient of Performance



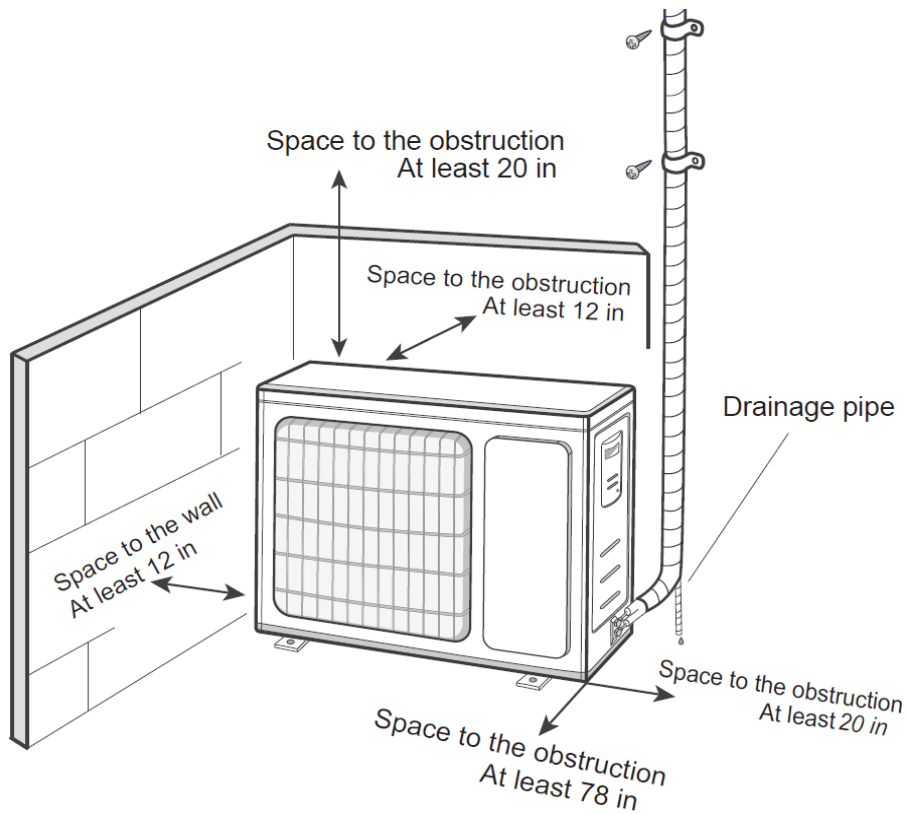
Dimensions	
A	42 1/4
B	12 3/4
C	9 5/8

Unit = Inch





Unit = Inch



Specifications are subject to change without notice. Manufacturer reserves the right to discontinue or modify specifications or designs without notice or without incurring obligations. All Rights reserved.