





## SUBMITTAL DATA

LIV24HP230V1R32AH / LIV24HP230V1R32AO  
24000 BTU/H Wall Mounted Heat Pump System

Job Name	Location	Date
Purchaser	Engineer	
Submitted to	For	
Unit Designation	Schedule No.	

			
YBE1FB1F	LIV24HP230V1R32AH	LIV24HP230V1R32AO	XE71 (Optional)

### GENERAL FEATURES

- AHRI Certificate: [214779349](#)
- New R32 Refrigerant
- High Efficiency DC Inverter Technology
- Compact and Quiet Design
- Wireless Remote with LCD Display
- Wired Controller Options
- Composite Drain Pan
- Wi-Fi Included
- Low Ambient Cooling down to 0°F (Range 0°F to 118°F)
- Low Ambient Heating down to -13°F (Range -13°F to 75°F)
- Coil (Indoor and Outdoor) Copper Tube / Aluminum Fin
- Blue Colored Fin - 500 Hrs Salt Spray Tested

## SPECIFICATIONS, FEATURES & FUNCTION SUMMARY

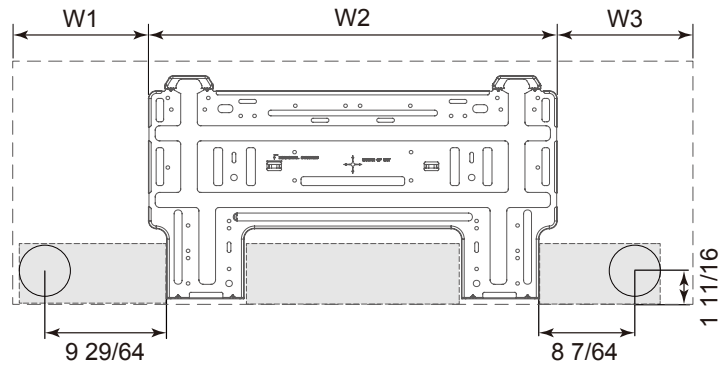
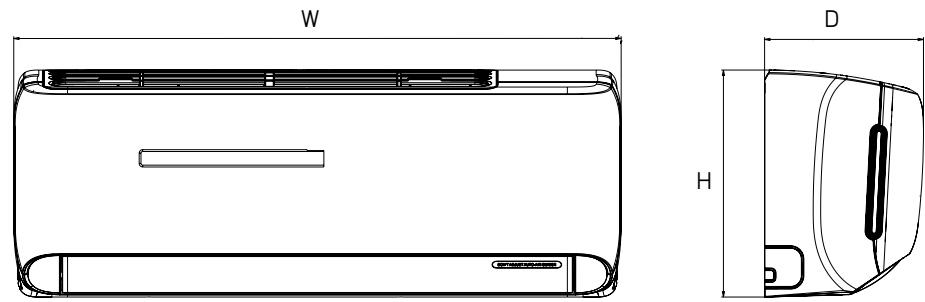
SPECIFICATIONS		LIV24HP230V1R32AH / LIV24HP230V1R32AO		FEATURES & FUNCTIONS SUMMARY		LIV24HP230V1R32AH / LIV24HP230V1R32AO	
System Type		HEAT PUMP					
<b>SYSTEM PERFORMANCE</b>				<b>SYSTEM FEATURES</b>			
Cooling	Min - Max	Btu/h	5,800 - 26,270	Inverter Type	G10		
	Capacity @95°F	Btu/h	22,000	Ultra Low Frequency Torque Control	Yes		
Heating	Min - Max	Btu/h	5,400 - 26,600	Power Factor Correction	Yes		
	Capacity @47°F	Btu/h	24,000	Compressor Type	High Efficiency Rotary		
	Capacity @17°F	Btu/h		Basepan With Electric Heater	Yes		
	Capacity Max @5°F	Btu/h		Compressor With Electric Heater	Yes		
SEER2			19.0	Outdoor Fin Coating (Color:Blue)	Acrylic-Resin/Anti-Corrosive		
EER2			11.9	Intelligent Defrosting	Yes		
HSPF2			8.5	Force Defrosting	Yes		
COP @5°F				Intelligent Preheating	Yes		
COP @47°F			3.6	Low Voltage Startup	Yes		
Cooling Temperature Range		°F	0 - 118	Memory/Power Failure Recovery	Yes		
Heating Temperature Range		°F	-13 - 75	Self Diagnosis	Yes		
Refrigerant Type			R32	Wired Controller Interface (XE71)	Yes		
<b>INDOOR UNIT</b>		<b>LIV24HP230V1R32AH</b>		WiFi Included	Yes		
Air flow (Min - Max)		CFM	412 - 677	Indoor Fan Type	Crossflow		
Sound Pressure Level (Min - Max)		dB(A)	36 - 51	Multi Fan Speeds	4 Speeds		
Dehumidification		pt/hr	5.28	Indoor Unit Display	Yes		
External Dimensions (W x H x D)		in	42-7/16 x 13-7/64 x 9-11/16	Auxiliary Electrical Heater	No		
Package Dimension (W x H x D)		in	44-39/64 x 16-19/64 x 13-7/64	Ventilation (Outdoor Air)	No		
Net Weight		lbs	33.1	<b>REMOTE CONTROLLER FUNCTIONS</b>			
Gross Weight		lbs	39.7	Auto Mode	Yes		
<b>OUTDOOR UNIT</b>		<b>LIV24HP230V1R32AO</b>		Auto Fan	Yes		
Sound Pressure Level		dB(A)	58	Manual Horizontal Swing	Yes		
External Dimensions (W x H x D)		in	37-23/32 x 25-63/64 x 15-53/64	Auto Swing (Vertical Auto Swing)	Yes		
Package Dimension (W x H x D)		in	40-5/8 x 29-1/64 x 17-61/64	Clock on Remote Controller	Yes		
Net Weight		lbs	93.7	Dry Mode	Yes		
Gross Weight		lbs	103.6	Dry Anti-Mildew (X-Fan) Mode	Yes		
<b>REFRIGERANT PIPING</b>				Energy Saving Mode	Yes		
Refrigerant Charge		oz	42.3	Dirty Filter Alert	No		
Additional Charge		oz/ft	0.1	I Feel Function	Yes		
Line Set Size (Liquid - Gas) - Flared Connections		in	1/4 - 1/2	Lock on Remote Controller	Yes		
Pre-Charge Length		ft	25	Quiet Mode	No		
Pipe Length (Min - Max)		ft	10 - 131	Room Temperature Display	Yes		
Max. Pipe Elevation		ft	82	Sleep Mode	Yes		
<b>ELECTRICAL</b>				Timer Mode	Yes		
Power Supply		208-230V / 1Ph / 60Hz (Powered by the Outdoor Unit)		Turbo Mode	Yes		
Voltage Range (Min - Max)		VAC	187 - 253	Display On/Off Control	Yes		
Rated Current - Cooling		A	11	Freeze Guard Mode (46°F)	Yes		
Rated Current - Heating		A	12	Display On/Off Control	Yes		
MCA		A	15				
MOCP		A	20				
Suggested Breaker Size		A	15				
Main Power Wire Size		AWG	Per Local Code				
Interconnecting Wire Size		AWG	14 / 4				

## DIMENSIONS

### INDOOR UNIT

Unit: inch

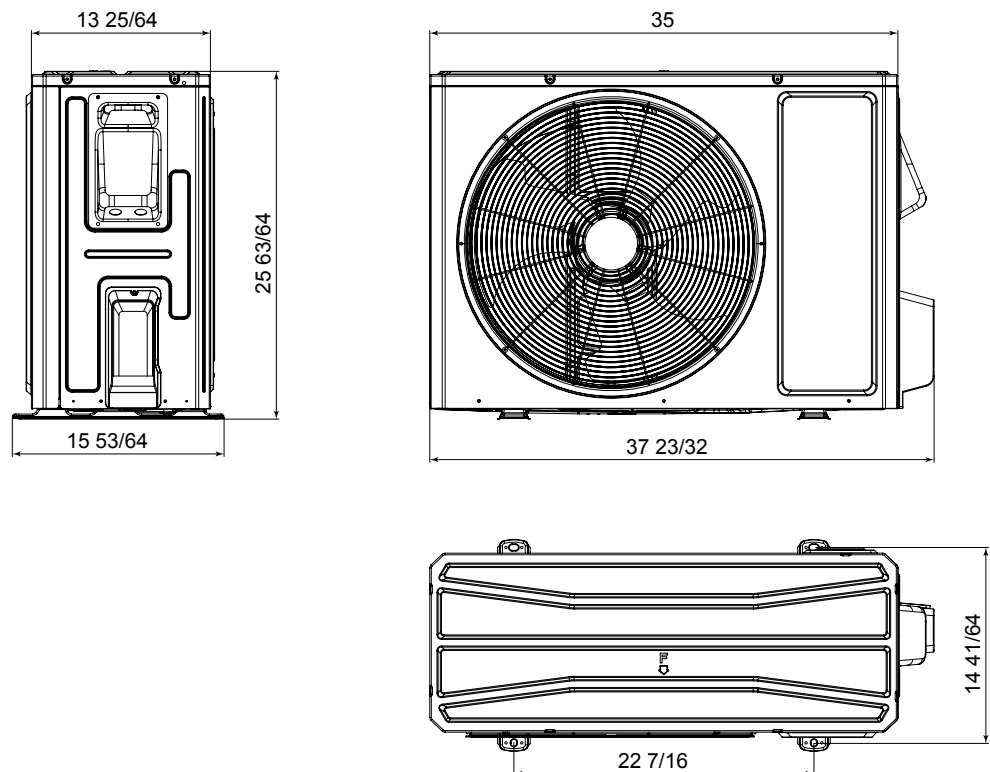
LIV24HP230V1R32AH	
DIMENSIONS	
W	42 7/16
H	13 7/64
D	9 11/16
W1	6 15/64
W2	22 7/64
W3	10 5/32



### OUTDOOR UNIT

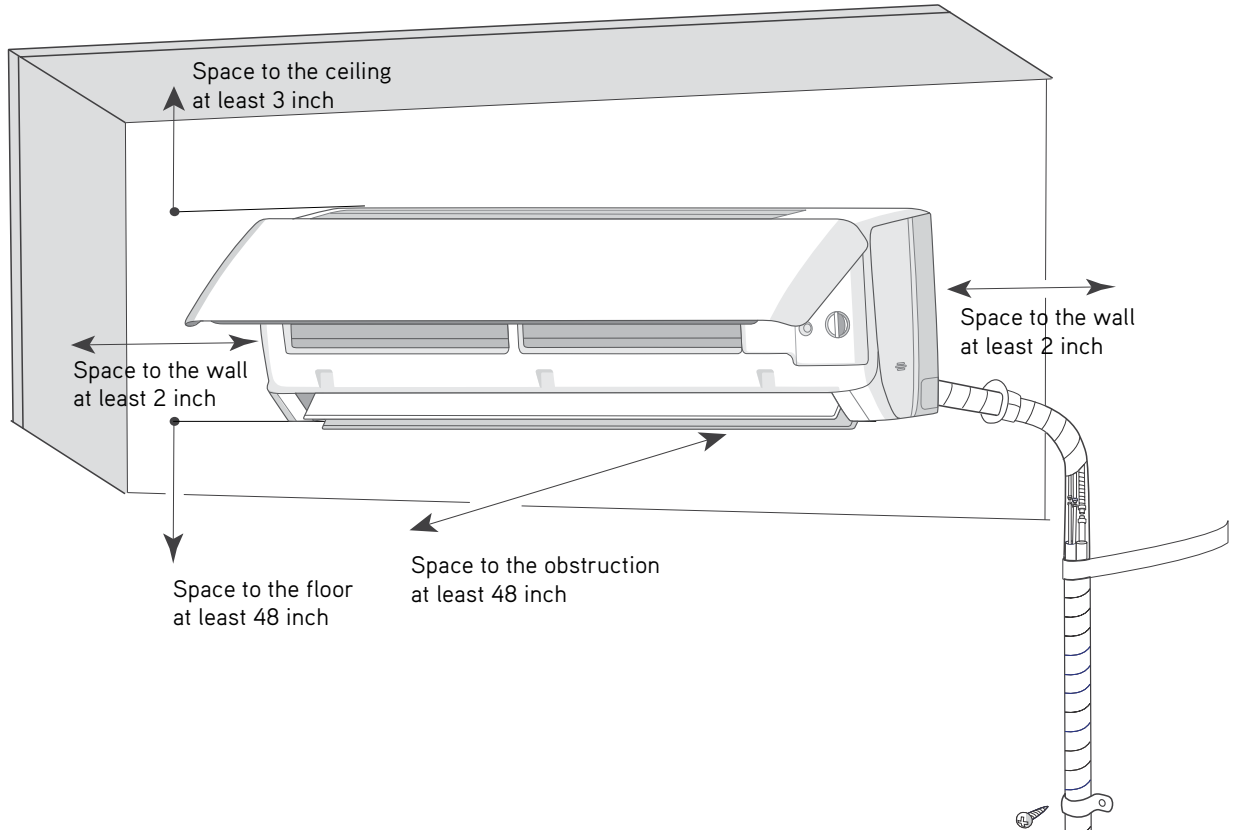
Unit: inch

LIV24HP230V1R32AO	
-------------------	--

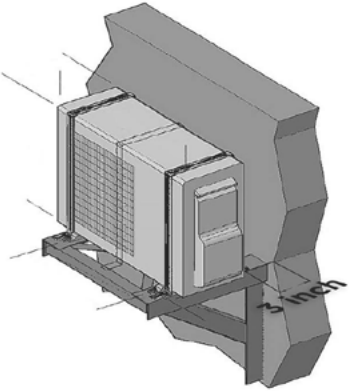


# CLEARANCES

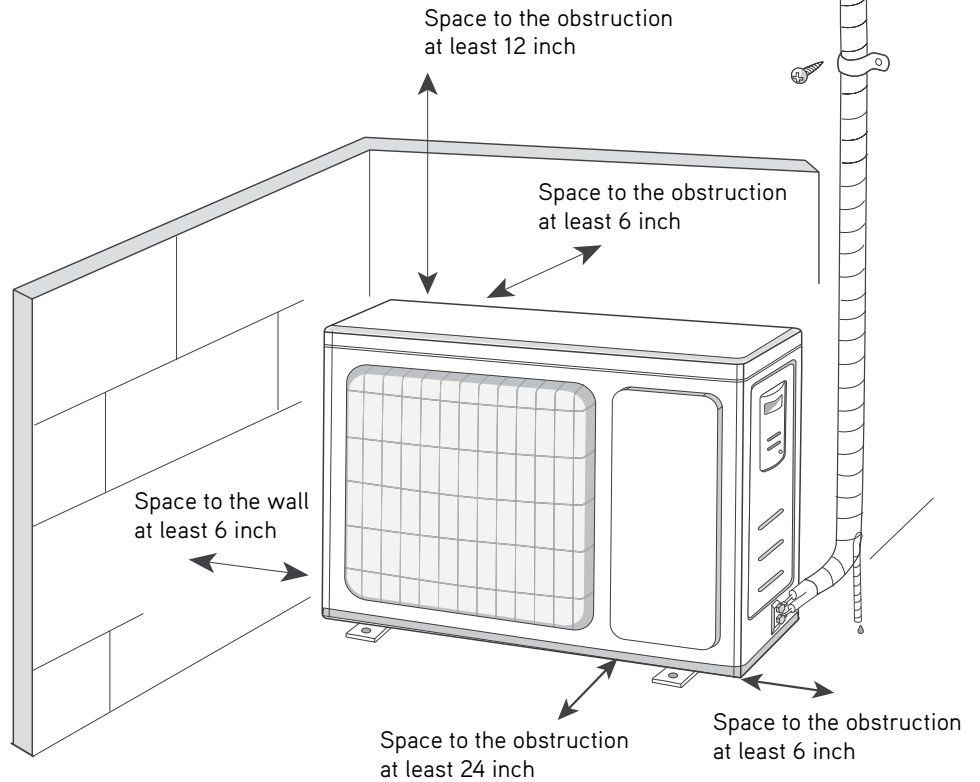
## INDOOR UNIT Minimum clearance



## OUTDOOR UNIT Minimum clearance



**NOTE:**  
If bottom of the unit is free of airflow obstructions similar to the mounting bracket figure, the clearance to the wall on the back can be reduced to 3 inches.



Specifications are subject to change without notice. Manufacturer reserves the right to discontinue or modify specifications or designs without notice or without incurring obligations. All Rights reserved.