

## SUBMITTAL DATA

MUE24HP230V1R32AO  
24000 BTU/H Multi-Zone Heat Pump System

Job Name

Location

Date

Purchaser

Engineer

Submitted to

For

Unit Designation

Schedule No.



MUE24HP230V1R32AO

### GENERAL FEATURES

- AHRI Certificate: [217962866 \(Non-Ducted\)](#)  
[218156712 \(Ducted\)](#)  
[218156713 \(Mixed\)](#)
- High Efficiency DC Inverter Technology
- Compact and Quiet Design
- Auto Restart on Power Outages
- Multi-point Diagnostics
- Cooling down to 5°F (Range 5°F to 118°F)
- Heating down to 5°F (Range 5°F to 75°F)
- Coil (Indoor and Outdoor) Copper Tube / Aluminum Fin
- Blue Colored Fin - 500 Hrs Salt Spray Tested

## MULTI-ZONE COMPATIBILITY CHART

### WALL MOUNT OPTIONS

	MULTI ECO R32				
	MUE18HP230V1R32AO	MUE24HP230V1R32AO	MUE30HP230V1R32AO	MUE36HP230V1R32AO	MUE42HP230V1R32AO
<b>LIVO R32</b>					
<b>System Model no.</b>					
LIV05HP230V1R32AH	•	•	•	•	•
LIV07HP230V1R32AH	•	•	•	•	•
LIV09HP230V1R32AH	•	•	•	•	•
LIV12HP230V1R32AH	•	•	•	•	•
LIV18HP230V1R32AH		•	•	•	•
LIV24HP230V1R32AH			•	•	•
LIV30HP230V1R32AH					
LIV36HP230V1R32AH					
<b>ZENO R32</b>					
<b>System Model no.</b>					
WZEN09HPJ132AH	•				
WZEN12HPJ132AH	•				
<b>VIREO R32</b>					
<b>System Model no.</b>					
VIR09HP230V1R32AH	•	•	•	•	•
VIR12HP230V1R32AH	•	•	•	•	•
VIR18HP230V1R32AH		•	•	•	•
VIR24HP230V1R32AH			•	•	•
<b>ENVO R32</b>					
<b>System Model no.</b>					
ENV09HP230V1R32AH	•	•	•	•	•
ENV12HP230V1R32AH	•	•	•	•	•
ENV18HP230V1R32AH		•	•	•	•
ENV24HP230V1R32AH			•	•	•
<b>SAPPHIRE R32</b>					
<b>System Model no.</b>					
SAP09HP230V1R32AH	•	•	•	•	•
SAP12HP230V1R32AH	•	•	•	•	•
SAP18HP230V1R32AH		•	•	•	•
SAP24HP230V1R32AH			•	•	•

### ADDITIONAL INDOOR UNIT OPTIONS

	MULTI ECO R32				
	MUE18HP230V1R32AO	MUE24HP230V1R32AO	MUE30HP230V1R32AO	MUE36HP230V1R32AO	MUE42HP230V1R32AO
<b>ONE WAY CASSETTE</b>					
<b>System Model no.</b>					
OWC09HP230V1R32AH	•	•	•	•	•
OWC12HP230V1R32AH	•	•	•	•	•
OWC18HP230V1R32AH		•	•	•	•
OWC24HP230V1R32AH			•	•	•
<b>360° CEILING CASSETTE</b>					
<b>System Model no.</b>					
CAS09HP230V1R32AH	•	•	•	•	•
CAS12HP230V1R32AH	•	•	•	•	•
CAS18HP230V1R32AH		•	•	•	•
CAS24HP230V1R32AH			•	•	•
CAS30HP230V1R32AH					
CAS36HP230V1R32AH					
<b>SLIM DUCT</b>					
<b>System Model no.</b>					
DUC09HP230V1R32AH	•	•	•	•	•
DUC12HP230V1R32AH	•	•	•	•	•
DUC18HP230V1R32AH		•	•	•	•
DUC24HP230V1R32AH			•	•	•
DUC30HP230V1R32AH					
DUC36HP230V1R32AH					
<b>FLOOR/CEILING</b>					
<b>System Model no.</b>					
FLR09HP230V1R32AH	•	•	•	•	•
FLR12HP230V1R32AH	•	•	•	•	•
FLR18HP230V1R32AH		•	•	•	•
FLR24HP230V1R32AH			•	•	•
FLR30HP230V1R32AH					
FLR36HP230V1R32AH					
<b>MINI CONSOLE</b>					
<b>System Model no.</b>					
CON09HP230V1R32AH	•	•	•	•	•
CON12HP230V1R32AH	•	•	•	•	•
CON18HP230V1R32AH		•	•	•	•
<b>AIR HANDLER</b>					
<b>System Model no.</b>					
VAH12HP230V1R32AH	•	•	•	•	•
VAH18HP230V1R32AH		•	•	•	•
VAH24HP230V1R32AH			•	•	•

## SPECIFICATIONS, FEATURES & FUNCTION SUMMARY

SYSTEM TYPE		HEAT PUMP	
Outdoor Model		MUE24HP230V1R32AO	
Number of Zones		2 - 3	
SYSTEM PERFORMANCE (Non-Ducted Indoor Units)			
Cooling Capacity	Min - Max	Btu/h	7,500 - 31,400
	Rated Capacity @95°F	Btu/h	24,000
Heating Capacity	Min - Max	Btu/h	7,500 - 31,400
	Rated Capacity @47°F	Btu/h	24,000
	Rated Capacity @17°F	Btu/h	19,000
	Rated Capacity @5°F	Btu/h	17,000
SEER2		17	
EER2		11.6	
HSPF2		8.5	
COP @5°F		2.0	
SYSTEM PERFORMANCE (Ducted Indoor Units)			
Cooling Capacity	Min - Max	Btu/h	7,500 - 31,400
	Rated Capacity @95°F	Btu/h	24,000
Heating Capacity	Min - Max	Btu/h	7,500 - 31,400
	Rated Capacity @47°F	Btu/h	24,000
	Rated Capacity @17°F	Btu/h	18,000
	Rated Capacity @5°F	Btu/h	14,000
SEER2		17.0	
EER2		11.0	
HSPF2		7.5	
COP @5°F		1.80	
SYSTEM PERFORMANCE (Mixed Ducted and Non-Ducted Indoor Units)			
Cooling Capacity	Min - Max	Btu/h	7,500 - 31,400
	Rated Capacity @95°F	Btu/h	24,000
Heating Capacity	Min - Max	Btu/h	7,500 - 31,400
	Rated Capacity @47°F	Btu/h	24,000
	Rated Capacity @17°F	Btu/h	19,000
	Rated Capacity @5°F	Btu/h	15,500
SEER2		17.0	
EER2		11.3	
HSPF2		8.0	
COP @5°F		1.90	
OUTDOOR UNIT		MUE24HP230V1R32AO	
Cooling Temperature Range	°F	5 - 118	
Heating Temperature Range	°F	5 - 75	
Refrigerant Type		R32	
Compressor Type		GREE G-20 / Double Cylinder / 1 - STAGE INVERTER	
Sound Pressure Level	dB(A)	55	
External Dimensions (W x H x D)	in	37-61/64 x 25-63/64 x 15-53/64	
Package Dimension (W x H x D)	in	40-5/8 x 29-1/64 x 17-61/64	
Net Weight	lbs	106.9	
Gross Weight	lbs	116.9	
REFRIGERANT PIPING			
Refrigerant Charge - R32	oz	59.976	
Compressor Type		GREE G-20 / Double Cylinder / 1 - STAGE INVERTER	
Additional Charge	oz/ft	0.2	
Port Size (Liquid - Gas)	Port A (in)	1/4 - 3/8	
	Port B (in)	1/4 - 3/8	
	Port C (in)	1/4 - 3/8	
	Port D (in)		
	Port E (in)		
Pre-Charge Length	ft	98	
Pipe Length (Min - Max)	ft	10 - 197	
Pipe Length to furthest Indoor Unit	ft	66	
Max. Pipe Elevation	ft	49	
ELECTRICAL			
Power Supply		208-230V / 1Ph / 60Hz	
Voltage Range (Min - Max)	VAC	187 - 253	
Rated Current - Cooling	A	14.2	
Rated Current - Heating	A	15	
MOCP	A	25	
MCA	A	18	
Main Power Wire Size	AWG	Per Local Code	
Interconnecting Wire Size	AWG	14 / 4	
FEATURES & FUNCTIONS SUMMARY			
Inverter Type	G20		
Ultra Low Frequency Torque Control	Yes		
Compressor Type - Inverter	Yes		
Basepan With Electric Heater	No		
Indoor & Outdoor Fin Coating (Blue Fin)	Yes		
Intelligent Defrosting	Yes		
Intelligent Preheating	Yes		
Low Voltage Startup	Yes		
Memory/Power Failure Recovery	Yes		
Self Diagnosis	Yes		

## ALLOWABLE COMBINATIONS CAPACITIES

MODEL NUMBER	POSSIBLE COMBINATIONS*	COOLING CAPACITY (Btu/h)					HEATING CAPACITY (Btu/h)				
		ZONE1	ZONE2	ZONE3	ZONE4	ZONE5	ZONE1	ZONE2	ZONE3	ZONE4	ZONE5
MUE24HP230V1R32AO	5K+7K	5,000	7,000				6,000	8,000			
MUE24HP230V1R32AO	5K+9K	5,000	9,000				6,000	9,000			
MUE24HP230V1R32AO	5K+12K	5,000	12,000				6,000	12,000			
MUE24HP230V1R32AO	5K+18K	5,000	18,000				6,000	18,000			
MUE24HP230V1R32AO	7K+7K	7,000	7,000				8,000	8,000			
MUE24HP230V1R32AO	7K+9K	7,000	9,000				8,000	9,000			
MUE24HP230V1R32AO	7K+12K	7,000	12,000				8,000	12,000			
MUE24HP230V1R32AO	7K+18K	6,720	17,280				6,720	17,280			
MUE24HP230V1R32AO	9K+9K	9,000	9,000				9,000	9,000			
MUE24HP230V1R32AO	9K+12K	9,000	12,000				9,000	12,000			
MUE24HP230V1R32AO	9K+18K	8,000	16,000				8,000	16,000			
MUE24HP230V1R32AO	12K+12K	12,000	12,000				12,000	12,000			
MUE24HP230V1R32AO	12K+18K	9,600	14,400				9,600	14,400			
MUE24HP230V1R32AO	18K+18K	12,000	12,000				12,000	12,000			
MUE24HP230V1R32AO	5K+5K+5K	5,000	5,000	5,000			6,000	6,000	6,000		
MUE24HP230V1R32AO	5K+5K+7K	5,000	5,000	7,000			6,000	6,000	8,000		
MUE24HP230V1R32AO	5K+5K+9K	5,000	5,000	9,000			6,000	6,000	9,000		
MUE24HP230V1R32AO	5K+5K+12K	5,000	5,000	12,000			6,000	6,000	12,000		
MUE24HP230V1R32AO	5K+5K+18K	4,286	4,286	15,428			4,286	4,286	15,428		
MUE24HP230V1R32AO	5K+7K+7K	5,000	7,000	7,000			6,000	8,000	8,000		
MUE24HP230V1R32AO	5K+7K+9K	5,000	7,000	9,000			6,000	8,000	9,000		
MUE24HP230V1R32AO	5K+7K+12K	5,000	7,000	12,000			6,000	8,000	12,000		
MUE24HP230V1R32AO	5K+7K+18K	4,000	5,600	14,400			4,000	5,600	14,400		
MUE24HP230V1R32AO	5K+9K+9K	5,000	9,000	9,000			6,000	9,000	9,000		
MUE24HP230V1R32AO	5K+9K+12K	4,615	8,308	11,077			4,615	8,308	11,077		
MUE24HP230V1R32AO	5K+9K+18K	3,750	6,750	13,500			3,750	6,750	13,500		
MUE24HP230V1R32AO	5K+12K+12K	4,138	9,931	9,931			4,138	9,931	9,931		
MUE24HP230V1R32AO	5K+12K+18K	3,429	8,229	12,343			3,429	8,229	12,343		
MUE24HP230V1R32AO	7K+7K+7K	7,000	7,000	7,000			8,000	8,000	8,000		
MUE24HP230V1R32AO	9K+9K+9K	8,000	8,000	8,000			8,000	8,000	8,000		
MUE24HP230V1R32AO	9K+9K+12K	7,200	7,200	9,600			7,200	7,200	9,600		
MUE24HP230V1R32AO	9K+9K+18K	6,000	6,000	12,000			6,000	6,000	12,000		
MUE24HP230V1R32AO	9K+12K+12K	6,545	8,727	8,727			6,545	8,727	8,727		
MUE24HP230V1R32AO	12K+12K+12K	8,000	8,000	8,000			8,000	8,000	8,000		

Outdoor Unit & Possible Indoor Unit Combinations with AHRI Certified Performance

\*You may substitute the 9K unit with a 5K or 7K High Wall unit, find complete capacity information in the extended ratings chart.

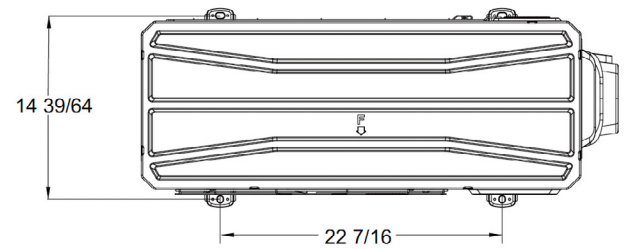
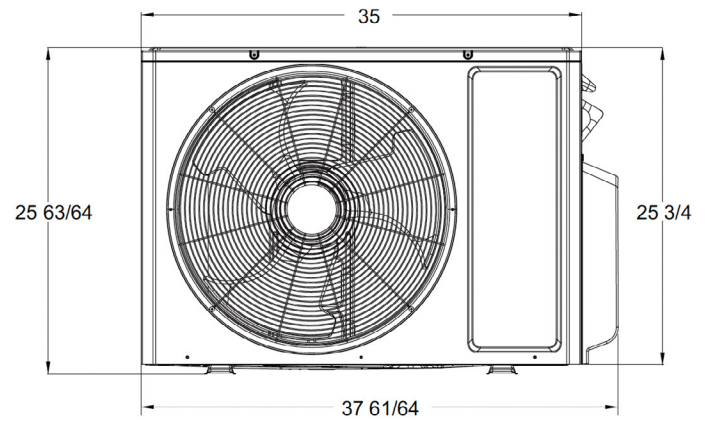
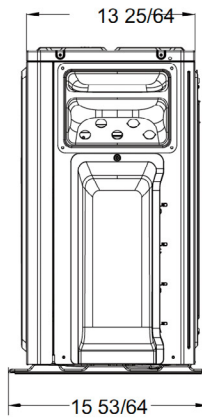
## DIMENSIONS

### OUTDOOR UNIT

Unit: inch

MUE24HP230V1R32AO

DIMENSIONS

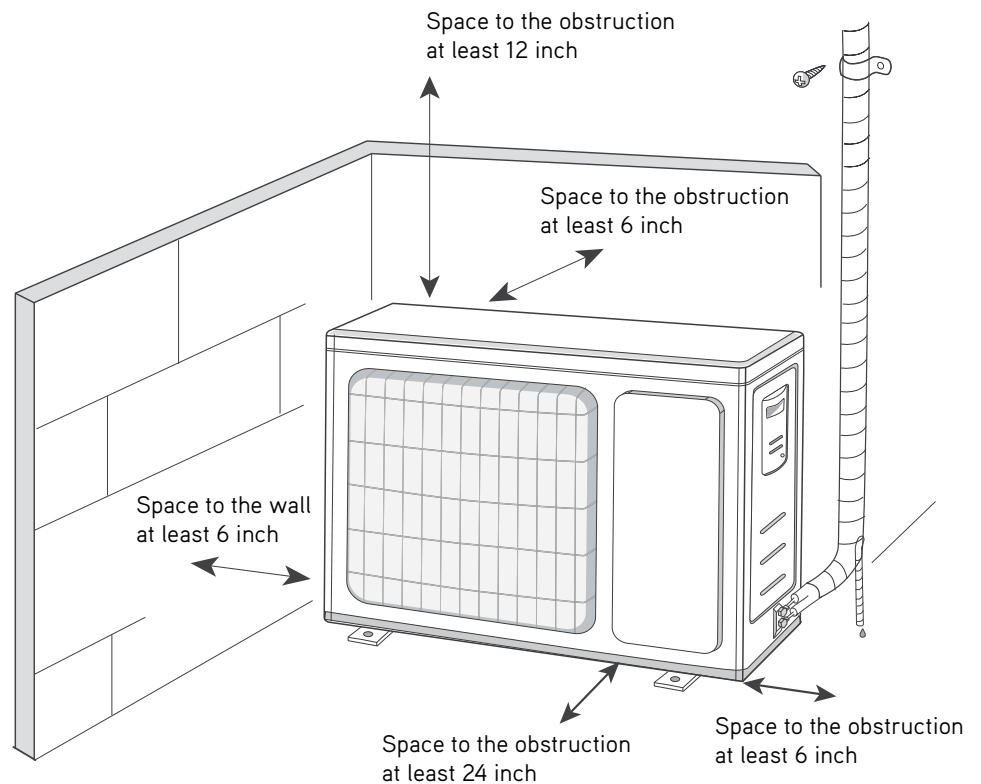
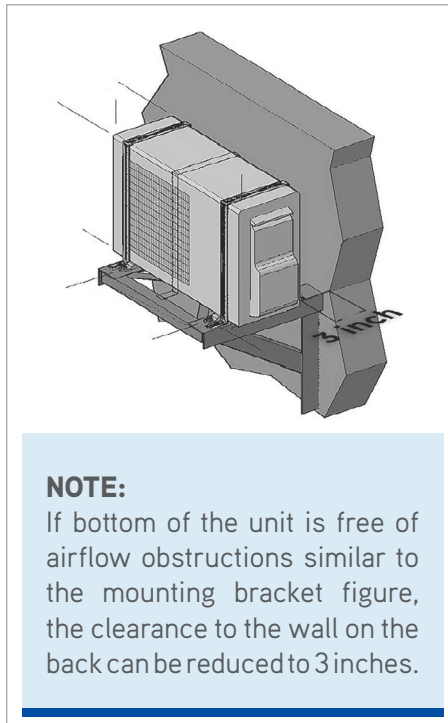


Unit: inch

## CLEARANCES

### OUTDOOR UNIT

Minimum clearance



Specifications are subject to change without notice. Manufacturer reserves the right to discontinue or modify specifications or designs without notice or without incurring obligations. All Rights reserved.

[GRECOMFORT.COM/SYSTEM-DOCUMENTATION](http://GRECOMFORT.COM/SYSTEM-DOCUMENTATION)