

## SUBMITTAL DATA

MULTI24HP230V1EO  
24000 BTU/H Multi-Zone Heat Pump System

Job Name

Location

Date

Purchaser

Engineer

Submitted to

For

Unit Designation

Schedule No.



MULTI24HP230V1EO

### GENERAL FEATURES

- AHRI Certificate: 210278975 (Non-Ducted)  
210278976 (Ducted)  
210278984 (Mixed)
- High Efficiency DC Inverter Technology
- Compact and Quiet Design
- Auto Restart on Power Outages
- Multi-point Diagnostics
- Wi-Fi Included (Factory Installed)
- Low Ambient Cooling down to -20°F (Range -22°F to 118°F)
- Low Ambient Heating down to -22°F (Range -22°F to 75°F)
- Coil (Indoor and Outdoor) Copper Tube / Aluminum Fin
- Blue Colored Fin - 500 Hrs Salt Spray Tested

# MULTI-ZONE COMPATIBILITY CHART

## WALL MOUNT OPTIONS

	MULTI GEN2					MULTI+ ULTRA			
	MULTI18HP230VIEO	MULTI24HP230VIEO	MULTI30HP230VIEO	MULTI36HP230VIEO	MULTI42HP230VIEO	MULTIU18HP230VIDO	MULTIU24HP230VIDO	MULTIU36HP230VIDO	MULTIU42HP230VIDO
<b>LIVO GEN3</b>									
<b>System Model no.</b>									
LIVV09HP230V1AH	•	•	•	•	•	•	•	•	•
LIVV12HP230V1AH	•	•	•	•	•	•	•	•	•
LIVV18HP230V1AH		•	•	•	•	•	•	•	•
LIVV24HP230V1AH			•	•	•			•	•
LIVV30HP230V1AH									
LIVV36HP230V1AH									
<b>LIVO GEN4</b>									
<b>System Model no.</b>									
4LIV05HP230V1AH	•	•	•	•	•				
4LIV07HP230V1AH	•	•	•	•	•				
4LIV09HP230V1AH	•	•	•	•	•	•	•	•	•
4LIV12HP230V1AH	•	•	•	•	•	•	•	•	•
4LIV18HP230V1AH		•	•	•	•	•	•	•	•
4LIV24HP230V1AH			•	•	•			•	•
4LIV30HP230V1AH									
4LIV36HP230V1AH									
<b>VIREO GEN3</b>									
<b>System Model no.</b>									
3VIR09HP230V1AH & BH <sup>1</sup>	•	•	•	•	•	•	•	•	•
3VIR12HP230V1AH & BH <sup>1</sup>	•	•	•	•	•	•	•	•	•
3VIR18HP230V1AH & BH <sup>1</sup>		•	•	•	•	•	•	•	•
3VIR24HP230V1AH & BH <sup>1</sup>			•	•	•			•	•
<b>VIREO+ ULTRA</b>									
<b>System Model no.</b>									
VIRU30HP230V1AH									
VIRU36HP230V1AH									
<b>SAPPHIRE</b>									
<b>System Model no.</b>									
SAP09HP230V1AH	•	•	•	•	•	•	•	•	•
SAP12HP230V1AH	•	•	•	•	•	•	•	•	•
SAP18HP230V1AH		•	•	•	•	•	•	•	•
SAP24HP230V1AH			•	•	•			•	•

<sup>1</sup>AH = MATT FINISH; BH = SMOOTH FINISH

## ADDITIONAL INDOOR UNIT OPTIONS

	MULTI GEN2					MULTI+ ULTRA			
	MULTI18HP230VIEO	MULTI24HP230VIEO	MULTI30HP230VIEO	MULTI36HP230VIEO	MULTI42HP230VIEO	MULTIU18HP230VID	MULTIU24HP230VID	MULTIU36HP230VID	MULTIU42HP230VID
<b>HIGH STATIC CONCEALED SLIM DUCT</b>									
<b>System Model no.</b>									
DUCT09HP230V1BD	•	•	•	•	•	•	•	•	•
DUCT12HP230V1BD	•	•	•	•	•	•	•	•	•
DUCT18HP230V1BD		•	•	•	•			•	•
DUCT24HP230V1BD			•	•	•			•	•
<b>CEILING CASSETTE</b>									
<b>System Model no.</b>									
CAS12HP230V1BC	•	•	•	•	•	•	•	•	•
CAS18HP230V1BC		•	•	•	•			•	•
CAS24HP230V1BC			•	•	•			•	•
<b>FLOOR / CEILING</b>									
<b>System Model no.</b>									
FLR09HP230V1BF	•	•	•	•	•	•	•	•	•
FLR12HP230V1BF	•	•	•	•	•	•	•	•	•
FLR18HP230V1BF		•	•	•	•			•	•
FLR24HP230V1BF			•	•	•			•	•
<b>MINI-CONSOLE</b>									
<b>System Model no.</b>									
CONS09HP230V1AF	•	•	•	•	•	•	•	•	•
CONS12HP230V1AF	•	•	•	•	•	•	•	•	•
CONS18HP230V1AF		•	•	•	•			•	•

NOTE: All indoor units listed above are backward compatible with MULTI AO, BO, & CO models and MULTIU BO models. However, 4LIV05HP230V1AH & 4LIV07HP230V1AH are only backward compatible with MULTI CO models.

## SPECIFICATIONS, FEATURES & FUNCTION SUMMARY

SPECIFICATIONS		MULTI24HP230V1EO	
System Type	HEAT PUMP		
Number of Zones	2 - 3		
SYSTEM PERFORMANCE		NON-DUCTED INDOOR UNITS	
Cooling	Min - Max	Btu/h	7500 - 31400
	Capacity @95°F	Btu/h	23200
Heating	Min - Max	Btu/h	7500 - 31400
	Capacity @5°F	Btu/h	21600
	Capacity @17°F	Btu/h	23600
	Capacity @47°F	W	24000
SEER2	21		
EER2	12.5		
HSPF2	10		
COP @5°F	2.1		
COP @47°F	3.9		
SYSTEM PERFORMANCE		DUCTED INDOOR UNITS	
Cooling	Min - Max	Btu/h	7500 - 31400
	Capacity @95°F	Btu/h	23200
Heating	Min - Max	Btu/h	7500 - 31400
	Capacity @5°F	Btu/h	
	Capacity @17°F	Btu/h	23000
	Capacity @47°F	W	24000
SEER2	16		
EER2	11		
HSPF2	8		
COP @5°F			
COP @47°F	3.4		
SYSTEM PERFORMANCE		MIXED DUCTED AND NON-DUCTED INDOOR UNITS	
Cooling	Min - Max	Btu/h	7500 - 31400
	Capacity @95°F	Btu/h	23200
Heating	Min - Max	Btu/h	7500 - 31400
	Capacity @5°F	Btu/h	
	Capacity @17°F	Btu/h	
	Capacity @47°F	W	24000
SEER2	18.5		
EER2	11.8		
HSPF2	9		
COP @5°F			
COP @47°F	3.7		
OUTDOOR UNIT		MULTI24HP230V1EO	
Cooling Temperature Range	°F	-22 - 118	
Heating Temperature Range	°F	-22 - 75	
Refrigerant Type	R410A		
Compressor Type	GREE G-10 / 2 - STAGE INVERTER		
Sound Pressure Level	dB(A)	58	
External Dimensions (W x H x D)	in	38 x 26 x 15-7/8	
Package Dimension (W x H x D)	in	40-5/8 x 29 x 18	
Net Weight	lbs	114.6	
Gross Weight	lbs	124.6	

REFRIGERANT PIPING		
Refrigerant Charge - R410A	oz	84.6
Additional Charge	oz/ft	0.2
Port Size (Liquid - Gas)	port A (in)	1/4 - 3/8
	port B (in)	1/4 - 3/8
	port C (in)	1/4 - 3/8
	port D (in)	
	port E (in)	
Pre-Charge Length	ft	98
Pipe Length (Min - Max)	ft	10 - 197
Pipe Length to furthest Indoor Unit	ft	66
Max. Pipe Elevation	ft	49
ELECTRICAL		
Power Supply	208-230V / 1Ph / 60Hz	
Voltage Range (Min - Max)	VAC	187 - 253
Rated Current - Cooling	A	15
Rated Current - Heating	A	15
MCA	A	19
MOCP	A	25
Suggested Breaker Size	A	20
Main Power Wire Size	AWG	Per Local Code
Interconnecting Wire Size	AWG	14 / 4

FEATURES & FUNCTIONS SUMMARY	MULTI24HP230V1EO
SYSTEM FEATURES	
Inverter Type	G10
Ultra Low Frequency Torque Control	Yes
Power Factor Correction	Yes
Compressor Type - Inverter	High Efficiency Rotary
Basepan With Electric Heater	Yes
Indoor & Outdoor Fin Coating (Blue Fin)	Yes
Intelligent Defrosting	Yes
Intelligent Preheating	Yes
Low Voltage Startup	Yes
Memory/Power Failure Recovery	Yes
Self Diagnosis	Yes

## ALLOWABLE COMBINATIONS CAPACITIES

MODEL NUMBER	POSSIBLE COMBINATIONS*	COOLING CAPACITY (Btu/h)					HEATING CAPACITY (Btu/h)				
		ZONE1	ZONE2	ZONE3	ZONE4	ZONE5	ZONE1	ZONE2	ZONE3	ZONE4	ZONE5
MULTI24HP230V1EO	5K + 7K	5.000	7.000				6.000	8.000			
MULTI24HP230V1EO	7K + 7K	7.000	7.000				8.000	8.000			
MULTI24HP230V1EO	5K + 5K + 5K	5.000	5.000	5.000			6.000	6.000	6.000		
MULTI24HP230V1EO	7K + 7K + 7K	7.000	7.000	7.000			8.000	8.000	8.000		
MULTI24HP230V1EO	5K + 5K + 7K	5.000	5.000	6.000			6.000	6.000	8.000		
MULTI24HP230V1EO	5K + 7K + 7K	5.000	7.000	7.000			6.000	8.000	8.000		
MULTI24HP230V1EO	9K + 9K	9.000	9.000				9.500	9.500			
MULTI24HP230V1EO	9K + 12K	9.000	12.000				9.429	12.571			
MULTI24HP230V1EO	9K + 18K	7.733	15.467				8.000	16.000			
MULTI24HP230V1EO	12K + 12K	11.600	11.600				12.000	12.000			
MULTI24HP230V1EO	12K + 18K	9.280	13.920				9.600	14.400			
MULTI24HP230V1EO	18K + 18K	11.600	11.600				12.000	12.000			
MULTI24HP230V1EO	9K + 9K + 9K	7.733	7.733	7.733			8.000	8.000	8.000		
MULTI24HP230V1EO	9K + 9K + 12K	6.960	6.960	9.280			7.200	7.200	9.600		
MULTI24HP230V1EO	9K + 9K + 18K	5.800	5.800	11.600			6.000	6.000	12.000		
MULTI24HP230V1EO	9K + 12K + 12K	6.327	8.436	8.436			6.545	8.727	8.727		
MULTI24HP230V1EO	12K + 12K + 12K	7.733	7.733	7.733			8.000	8.000	8.000		

Outdoor Unit & Possible Indoor Unit Combinations with AHRI Certified Performance

\*You may substitute the 9K unit with a 5K or 7K High Wall unit, find complete capacity information in the extended ratings chart.

## DIMENSIONS

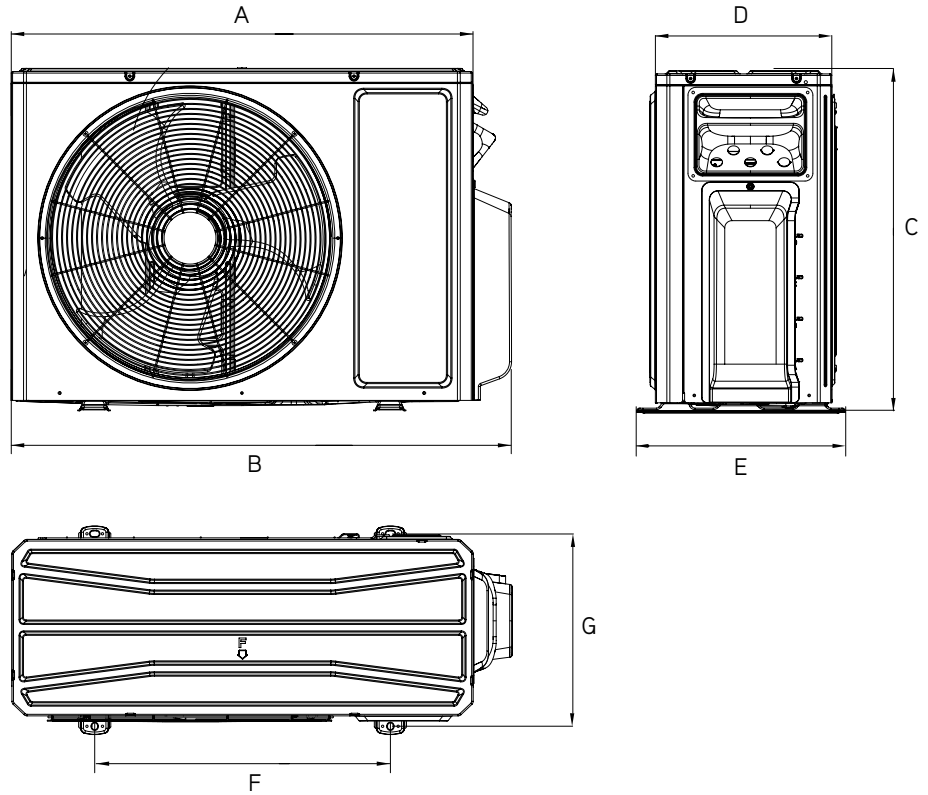
### OUTDOOR UNIT

Unit: inch

MULTI24HP230V1EO

#### DIMENSIONS

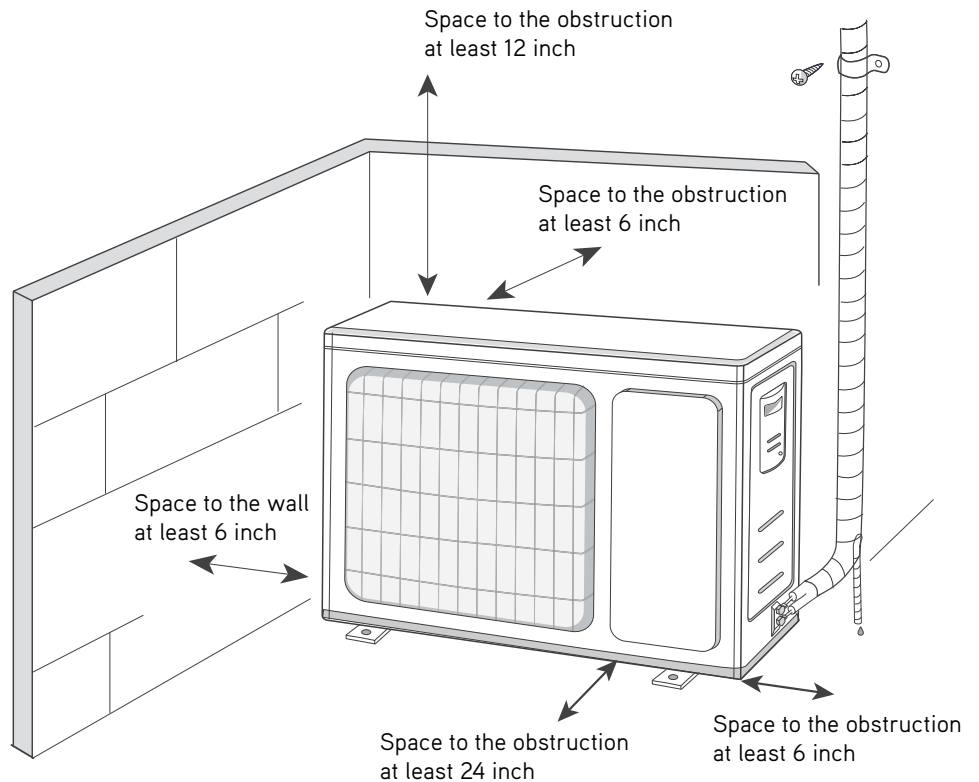
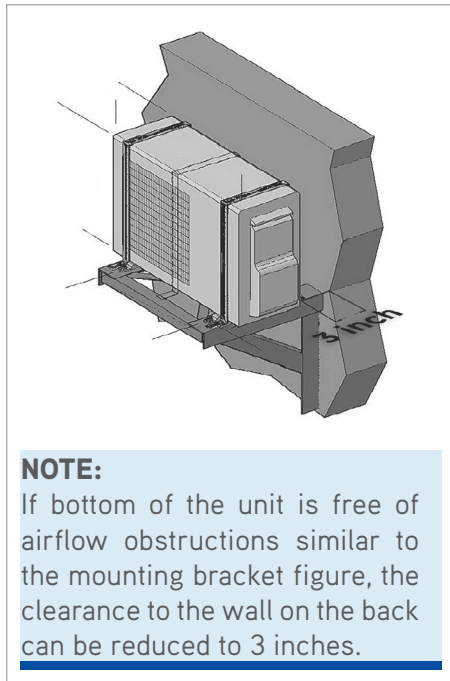
A	35
B	38
C	26
D	13-25/64
E	15-7/8
F	22-7/16
G	14-39/64



## CLEARANCES

### OUTDOOR UNIT

Minimum clearance



Specifications are subject to change without notice. Manufacturer reserves the right to discontinue or modify specifications or designs without notice or without incurring obligations. All Rights reserved.

[GREECOMFORT.COM/SYSTEM-DOCUMENTATION](http://GREECOMFORT.COM/SYSTEM-DOCUMENTATION)