



MULTI+ ULTRA SERIES



Service & Parts Manual

Models: MULTIU18HP230V1DO
MULTIU24HP230V1DO
MULTIU36HP230V1DO
MULTIU42HP230V1DO
Refrigerant Charge:R410A

GREE ELECTRIC APPLIANCES, INC. OF ZHUHAI

Table of Contents

Part I : Technical Information	1
1. Summary	1
2. Specifications	2
2.1 Specification Sheet.....	2
2.2 Cooling Capacity Tables.....	6
3. Outline Dimension Diagram	10
4. Refrigerant System Diagram	11
5. Electrical Part	12
5.1 Wiring Diagram.....	12
5.2 PCB Printed Diagram.....	15
6. Function and Control	17
Part II : Installation and Maintenance	19
7. Safety Precautions	19
8. Installation Manual	21
8.1 Preparation before Installation.....	22
8.2 Installation Instruction.....	24
9. Troubleshooting	29
9.1 Malfunction Indicator.....	29
9.2 Malfunction Checking and Elimination.....	30
9.3 Maintenance Method for Normal Malfunction.....	36
10. Exploded View and Parts List	38
11. Removal Procedure	44
Appendix:	58
Appendix 1: Reference Sheet of Celsius and Fahrenheit.....	58
Appendix 2: Pipe Expanding Method.....	58
Appendix 3: List of Resistance for Temperature Sensor.....	60

2. Specifications

2.1 Specification Sheet

Model			MULTIU18HP230V1DO	MULTIU24HP230V1DO
Product Code			CB228W09400_X20047	CB228W09500_X20047
Power supply	Rated Voltage	V~	208/230	208/230
	Rated Frequency	Hz	60	60
	Phases		1	1
Cooling capacity		Btu/h	18000	22000
Heating capacity		Btu/h	21000	26000
Cooling Power Input		W	1450	1760
Heating Power Input		W	1710	2090
Cooling Current Input		A	6.3	7.65
Heating Current Input		A	7.4	9.1
Rated Power Input		W	5000	6000
Rated Current		A	22	26
EER		(Btu/h)/W	12.5	12.5
COP		(Btu/h)/W	12.3	12.5
SEER			23	23
HSPF			10.5	10.5
Outdoor Unit	Compressor Trademark		ZHUHAI LANDA COMPRESSOR CO.,LTD	ZHUHAI LANDA COMPRESSOR CO.LTD
	Compressor Model		QXFW-D318zX035	QXFW-D318zX035
	Compressor Refrigerant Oil Type		FW68DA or equivalent	FW68DA or equivalent
	Compressor Type		Inverter Rotary	Inverter Rotary
	L.R.A		A	/
	Compressor Rated Load Amp (RLA)		A	14.9
	Compressor Power Input		W	40
	Compressor Thermal Protector			/
	Throttling Method			Electron expansion valve
	Cooling Operation Ambient Temperature Range		°F	0~115
	Heating Operation Ambient Temperature Range		°F	-31~75.2
	Condenser Material			Aluminum Fin-copper Tube
	Condenser Pipe Diameter		inch	Φ5/16
	Rows-Fin Gap(mm)		inch	2-1/16
	Coil length (l) X height (H) X coil width (L)		inch	38 21/32X29 7/16X1 1/2
	Fan Motor Speed (rpm) (H/M/L)		rpm	880
	Output of Fan Motor		W	90
	Fan Motor RLA		A	/
	Fan Motor Capacitor		μF	/
	Air Flow Volume of Outdoor Unit		CFM	2531
	Fan Type-Piece			Axial-flow
	Fan Diameter		inch	21 43/64-2 39/64
	Defrosting Method			Automatic Defrosting
	Climate Type			T1
	Isolation			I
	Moisture Protection			IPX4
	Permissible Excessive Operating Pressure for the Discharge Side		PSIG	550
	Permissible Excessive Operating Pressure for the Suction Side		PSIG	240
	Dimension (WXHDXD)		inch	39 31/64X31 7/64X16 13/32
	Dimension of Package (LXWXH)		inch	42 1/2X19X33
	Dimension of Package(LXWXH)		inch	42 43/64X19 13/64X33 43/64
	Net Weight		lb	172
Gross Weight		lb	183	
Refrigerant Charge			R410A	
Refrigerant Charge		oz	77.62	

Outdoor Unit	Cross-sectional Area of Power Cable Conductor	sq in	0.0051	0.0051
	Recommended Power Cable(Core)	N	3	3
	Connection Pipe Connection Method	-	Flare Connection	Flare Connection
	Not Additional Gas Connection Pipe Length	ft	65.6	98.4
	Connection Pipe Gas Additional Charge	oz/ft.	0.2	0.2
	Outer Diameter of Liquid Pipe1(GREE Allocation) (Metric)	inch	1/4	1/4
	Outer Diameter of Liquid Pipe2(GREE Allocation) (Metric)	inch	1/4	1/4
	Outer Diameter of Liquid Pipe3(GREE Allocation) (Metric)	inch	/	/
	Outer Diameter of Liquid Pipe4(GREE Allocation) (Metric)	inch	/	/
	Outer Diameter of Gas Pipe1(GREE Allocation) (Metric)	inch	3/8	3/8
	Outer Diameter of Gas Pipe2(GREE Allocation) (Metric)	inch	3/8	3/8
	Outer Diameter of Gas Pipe3(GREE Allocation) (Metric)	inch	/	/
	Outer Diameter of Gas Pipe4(GREE Allocation) (Metric)	inch	/	/
	Connection Pipe Max. Height Distance(indoor and indoor)	ft	26.2	26.2
	Connection Pipe Max. Height Distance(indoor and outdoor and indoor up)	ft	26.2	26.2
	Connection Pipe Max. Height Distance(indoor and outdoor and outdoor up)	ft	26.2	26.2
	Max. equivalent connection pipe length(outdoor to last indoor)	ft	82.0	82.0
Connection Pipe Max. Length Distance(total length)	ft	164	229.6	

The above data is subject to change without notice; please refer to the nameplate of the unit.

Model			MULTIU36HP230V1DO	MULTIU42HP230V1DO
Product Code			CB228W09600_X20047	CB228W09700_X20047
Power supply	Rated Voltage	V~	208/230	208/230
	Rated Frequency	Hz	60	60
	Phases		1	1
Cooling capacity		Btu/h	36000	42000
Heating capacity		Btu/h	36000	42000
Cooling Power Input		W	4020	4660
Heating Power Input		W	3300	3600
Cooling Current Input		A	17.48	20.26
Heating Current Input		A	14.35	15.65
Rated Power Input		W	7360	7360
Rated Current		A	32	32
EER		(Btu/h)/W	9.0	9.0
COP		(Btu/h)/W	10.96	11.66
SEER			23.0	23.0
HSPF			10.0	10.0
Outdoor Unit	Compressor Trademark		ZHUHAI LANDA COMPRESSOR CO.,LTD	ZHUHAI LANDA COMPRESSOR CO.,LTD
	Compressor Model		QXAW-F518zX440C	QXAW-F518zX440C
	Compressor Refrigerant Oil Type		FW68DA or equivalent	FW68DA or equivalent
	Compressor Type		Inverter Rotary	Inverter Rotary
	L.R.A		A	/
	Compressor Rated Load Amp (RLA)		A	27
	Compressor Power Input		W	/
	Compressor Thermal Protector			/
	Throttling Method			Electron expansion valve
	Cooling Operation Ambient Temperature Range		°F	0~115
	Heating Operation Ambient Temperature Range		°F	-31~75.2
	Condenser Material			Aluminum Fin-copper Tube
	Condenser Pipe Diameter		inch	Φ5/16
	Rows-Fin Gap(mm)		inch	3
	Coil length (l) X height (H) X coil width (L)		inch	35X41 37/64X2 1/4
	Fan Motor Speed (rpm) (H/M/L)		rpm	940
	Output of Fan Motor		W	90
	Fan Motor RLA		A	/
	Fan Motor Capacitor		μF	/
	Air Flow Volume of Outdoor Unit		CFM	/
	Fan Type-Piece			Axial-flow
	Fan Diameter-height		inch	Φ22 28/64—5 63/64
	Defrosting Method			Automatic Defrosting
	Climate Type			T1
	Isolation			I
	Moisture Protection			IPX4
	Permissible Excessive Operating Pressure for the Discharge Side		PSIG	550
	Permissible Excessive Operating Pressure for the Suction Side		PSIG	240
	Dimension (W/H/D)		inch	43 7/64X43 27/64X17 21/64
	Dimension of Package (L/W/H)		inch	46X18 57/64X43 57/64
	Dimension of Package(L/W/H)		inch	46 1/6X19X44 1/2
	Net Weight		lb	280
	Gross Weight		lb	297.7
Refrigerant Charge			R410A	
Refrigerant Charge		oz	158.73	

Outdoor Unit	Cross-sectional Area of Power Cable Conductor	sq in	0.013	0.013
	Recommended Power Cable(Core)	N	3	3
	Connection Pipe Connection Method	-	Flare Connection	Flare Connection
	Not Additional Gas Connection Pipe Length	ft	131.2	131.2
	Connection Pipe Gas Additional Charge	oz/ft.	0.2	0.2
	Outer Diameter of Liquid Pipe1(GREE Allocation) (Metric)	inch	1/4	1/4
	Outer Diameter of Liquid Pipe2(GREE Allocation) (Metric)	inch	1/4	1/4
	Outer Diameter of Liquid Pipe3(GREE Allocation) (Metric)	inch	1/4	1/4
	Outer Diameter of Liquid Pipe4(GREE Allocation) (Metric)	inch	1/4	1/4
	Outer Diameter of Liquid Pipe4(GREE Allocation) (Metric)	inch	/	1/4
	Outer Diameter of Gas Pipe1(GREE Allocation) (Metric)	inch	3/8	3/8
	Outer Diameter of Gas Pipe2(GREE Allocation) (Metric)	inch	3/8	3/8
	Outer Diameter of Gas Pipe3(GREE Allocation) (Metric)	inch	3/8	3/8
	Outer Diameter of Gas Pipe4(GREE Allocation) (Metric)	inch	3/8	3/8
	Outer Diameter of Gas Pipe4(GREE Allocation) (Metric)	inch	/	3/8
	Connection Pipe Max. Height Distance(indoor and indoor)	ft	49.2	49.2
	Connection Pipe Max. Height Distance(indoor and outdoor and indoor up)	ft	49.2	49.2
	Connection Pipe Max. Height Distance(indoor and outdoor and outdoor up)	ft	49.2	49.2
	Max. equivalent connection pipe length(outdoor to last indoor)	ft	82.0	82.0
	Connection Pipe Max. Length Distance(total length)	ft	246.1	262.5

The above data is subject to change without notice; please refer to the nameplate of the unit.

2.2 Cooling Capacity Tables

MULTIU18HP230V1DO

Cooling

Outdoor Ambient Temperature (DB) °F	Indoor Entering Air Temperatures					
	68F DB		73°F DB		80°F DB	
	57F WB		61°FWB		67°FWB	
	TC	SHC	TC	SHC	TC	SHC
0°F	11182	8769	11822	9262	13018	10214
5°F	11573	9076	12235	9586	13473	10571
14°F	12122	9507	12806	10040	14453	11336
23°F	13281	10418	14206	11143	16277	12766
32°F	14113	11069	14909	11693	16826	13193
41°F	14620	11467	15440	12109	17644	13835
50°F	14875	11666	15910	12478	18230	14294
59°F	16106	12631	17227	13510	18867	14793
68°F	18240	14306	19380	15197	20710	16243
77°F	18025	14139	19171	15037	20520	16096
86°F	17138	13440	18278	14338	19950	15647
95°F	16220	12721	17353	13607	19000	14902
104°F	15434	12105	16562	12991	18506	14517
113°F	15035	11791	16169	12676	18113	14203
122°F	14643	11483	15770	12368	17721	13895
129°F	14250	11175	15200	11919	17100	13414

Heating

Outdoor Ambient Temperature (DB) °F	Indoor Entering Air Temperatures								
	68F DB			73°F DB			80°F DB		
	57F WB			61°FWB			67°FWB		
	TC	Power Input (KW)	COP	TC	Power Input (KW)	COP	TC	Power Input (KW)	COP
-31°F	16500	4.80	1.01	16300	4.65	1.03	15900	4.63	1.01
-22°F	18902	4.89	1.13	18401	4.94	1.09	18030	4.95	1.07
-13°F	20698	4.96	1.22	20160	5.01	1.18	19762	5.02	1.15
-5°F	22479	3.28	2.01	21906	3.32	1.93	21482	3.43	1.84
0°F	22148	3.34	1.94	21565	3.38	1.87	21130	3.49	1.78
5°F	22251	3.17	2.06	21672	3.21	1.98	21245	3.31	1.88
10°F	22498	3.20	2.06	21913	3.24	1.98	21475	3.34	1.88
17°F	22072	3.18	2.03	21492	3.22	1.96	21053	3.32	1.86
19°F	21778	2.97	2.15	21478	3.01	2.09	21036	3.10	1.99
24°F	21108	3.08	2.01	20856	3.11	1.96	20478	3.21	1.87
32°F	20566	2.95	2.05	20339	2.98	2.00	20008	3.07	1.91
41°F	21375	2.73	2.30	21165	2.76	2.25	20848	2.84	2.15
43°F	21960	2.13	3.02	21750	2.16	2.96	21440	2.22	2.82
47°F	24000	2.18	3.23	23340	2.20	3.10	22846	2.27	2.94
53°F	24240	1.98	3.59	23573	2.00	3.45	23079	2.07	3.27
59°F	22316	2.00	3.27	21695	2.02	3.14	21236	2.09	2.98
64°F	22788	1.83	3.64	22160	1.85	3.50	21695	1.91	3.32
70°F	23220	1.86	3.66	22579	1.88	3.51	22100	1.94	3.33
75°F	23544	1.70	4.06	22896	1.72	3.90	22417	1.78	3.70
78°F	23760	1.72	4.06	23105	1.74	3.90	22619	1.79	3.70

MULTIU24HP230V1DO

Cooling

Outdoor Ambient Temperature (DB) °F	Indoor Entering Air Temperatures					
	68F DB		73°F DB		80°F DB	
	57F WB		61°FWB		67°FWB	
	TC	SHC	TC	SHC	TC	SHC
0°F	17067	13385	18044	14137	19870	15590
5°F	17664	13852	18674	14631	20564	16135
14°F	18502	14511	19546	15324	22059	17302
23°F	20271	15901	21682	17008	24843	19485
32°F	21541	16894	22756	17847	25682	20137
41°F	22315	17502	23566	18482	26931	21116
50°F	22704	17806	24284	19045	27825	21817
59°F	24582	19279	26293	20621	28797	22579
68°F	27840	21835	29580	23196	31610	24792
77°F	27511	21580	29261	22951	31320	24567
86°F	26158	20513	27898	21884	30450	23882
95°F	24756	19417	26487	20768	29000	22746
104°F	23558	18477	25278	19828	28246	22158
113°F	22949	17997	24679	19348	27647	21678
122°F	22349	17527	24070	18878	27047	21208
129°F	21750	17057	23200	18193	26100	20474

Heating

Outdoor Ambient Temperature (DB) °F	Indoor Entering Air Temperatures								
	68F DB			73°F DB			80°F DB		
	57F WB			61°FWB			67°FWB		
	TC	Power Input (KW)	COP	TC	Power Input (KW)	COP	TC	Power Input (KW)	COP
-31°F	21500	5.45	1.16	21000	5.50	1.12	20500	5.70	1.05
-22°F	24954	5.50	1.33	24292	5.57	1.28	23801	5.74	1.21
-13°F	27324	5.58	1.44	26614	5.64	1.38	26089	5.82	1.31
-5°F	31846	5.42	1.72	31034	5.48	1.66	30433	5.66	1.58
0°F	31376	5.51	1.67	30550	5.58	1.61	29933	5.75	1.52
5°F	31523	5.24	1.76	30703	5.30	1.70	30097	5.46	1.61
10°F	31872	5.29	1.77	31044	5.35	1.70	30423	5.52	1.62
17°F	31268	5.25	1.75	30448	5.31	1.68	29825	5.48	1.60
19°F	30852	4.91	1.84	30427	4.96	1.80	29802	5.12	1.71
24°F	29903	5.08	1.72	29546	5.14	1.68	29011	5.30	1.60
32°F	29135	4.86	1.76	28814	4.92	1.72	28344	5.07	1.64
41°F	30281	4.50	1.97	29984	4.55	1.93	29535	4.69	1.84
43°F	31110	3.52	2.59	30813	3.56	2.54	30373	3.67	2.42
47°F	34000	3.60	2.77	33065	3.64	2.66	32366	3.76	2.52
53°F	34340	3.27	3.08	33394	3.31	2.96	32695	3.41	2.81
59°F	31614	3.30	2.81	30734	3.34	2.70	30085	3.45	2.56
64°F	32283	3.03	3.12	31394	3.06	3.00	30734	3.16	2.85
70°F	32895	3.08	3.13	31987	3.11	3.01	31308	3.21	2.86
75°F	33354	2.81	3.48	32436	2.84	3.34	31757	2.93	3.17
78°F	33660	2.84	3.48	32732	2.87	3.34	32044	2.96	3.17

MULTIU36HP230V1DO

Cooling

Outdoor Ambient Temperature (DB) °F	Indoor Entering Air Temperatures					
	68F DB		73°F DB		80°F DB	
	57F WB		61°FWB		67°FWB	
	TC	SHC	TC	SHC	TC	SHC
0°F	21827	16500	22800	18000	24000	19500
5°F	21927	17196	23181	18162	25527	20029
14°F	22968	18014	24264	19023	27384	21478
23°F	25164	19740	26916	21113	30840	24188
32°F	25758	45964	27663	49363	31994	57088
41°F	23613	65750	25520	71058	29746	82822
50°F	21549	81552	23437	88695	27533	104195
59°F	30516	23933	32640	25598	35748	28029
68°F	34560	27106	36720	28795	39240	30776
77°F	34152	26790	36324	28491	38880	30497
86°F	32472	25465	34632	27166	37800	29646
95°F	30732	24103	32880	25781	36000	28236
104°F	29244	22936	31380	24614	35064	27507
113°F	27744	21757	29880	23435	33576	26328

Heating

Outdoor Ambient Temperature (DB) °F	Indoor Entering Air Temperatures								
	68F DB			73°F DB			80°F DB		
	57F WB			61°FWB			67°FWB		
	TC	Power Input (KW)	COP	TC	Power Input (KW)	COP	TC	Power Input (KW)	COP
-31°F	23000	5.50	1.23	24000	5.72	1.23	24500	5.85	1.23
-22°F	25563	5.57	1.34	25910	5.73	1.33	24899	5.91	1.24
-13°F	28859	5.65	1.50	28373	5.81	1.43	27293	5.99	1.33
-5°F	33638	5.64	1.75	33072	5.79	1.67	31837	5.98	1.56
0°F	36089	5.73	1.85	35488	5.89	1.77	34105	6.08	1.64
5°F	36259	5.70	1.86	35648	5.86	1.78	34291	6.05	1.66
10°F	39753	5.76	2.02	39091	5.92	1.94	37581	6.11	1.80
17°F	41794	5.72	2.14	41097	5.88	2.05	39475	6.06	1.91
19°F	41758	5.50	2.23	41075	5.65	2.13	39443	5.83	1.98
24°F	40398	5.42	2.18	39787	5.58	2.09	38397	5.75	1.96
32°F	39260	5.19	2.22	38728	5.33	2.13	37514	5.50	2.00
41°F	40725	5.11	2.33	40247	5.26	2.24	39090	5.42	2.11
43°F	41822	5.10	2.40	41330	5.24	2.31	40199	5.41	2.18
47°F	45450	5.22	2.55	44663	5.36	2.44	42837	5.53	2.27
53°F	45900	4.74	2.84	45098	4.87	2.71	43272	5.03	2.52
59°F	42259	4.78	2.59	41513	4.92	2.47	39818	5.07	2.30
64°F	43158	4.39	2.88	42398	4.51	2.75	40678	4.65	2.56
70°F	43968	4.46	2.89	43208	4.58	2.76	41437	4.73	2.57
75°F	44588	4.07	3.21	43803	4.19	3.07	42031	4.32	2.85
78°F	44993	4.11	3.21	44208	4.22	3.07	42411	4.36	2.85

MULTIU42HP230V1DO

Cooling

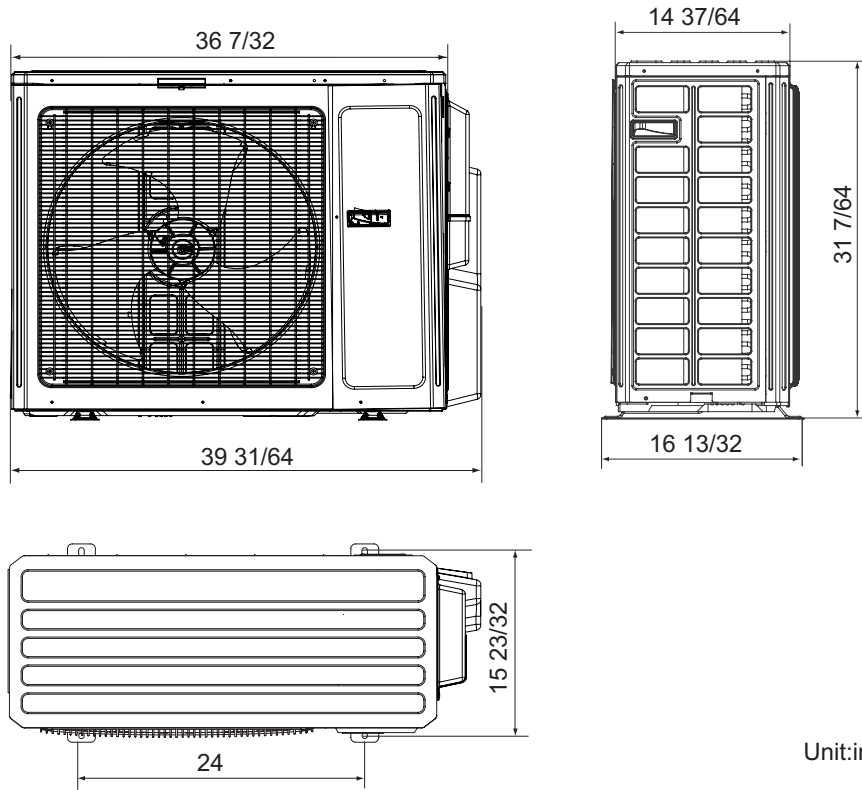
Outdoor Ambient Temperature (DB) °F	Indoor Entering Air Temperatures					
	68F DB		73°F DB		80°F DB	
	57F WB		61°FWB		67°FWB	
	TC	SHC	TC	SHC	TC	SHC
0°F	24000	19500	26000	20500	28900	22300
5°F	25582	20062	27045	21189	29782	23368
14°F	26796	21016	28308	22193	31948	25057
23°F	29358	23030	31402	24632	35980	28220
32°F	30051	53625	32274	57590	37327	66603
41°F	27549	76709	29773	82901	34704	96626
50°F	25141	95143	27343	103477	32122	121561
59°F	35602	27922	38080	29865	41706	32701
68°F	40320	31623	42840	33594	45780	35906
77°F	39844	31254	42378	33240	45360	35580
86°F	37884	29709	40404	31694	44100	34587
95°F	35854	28121	38360	30078	42000	32942
104°F	34118	26759	36610	28716	40908	32091
113°F	32368	25384	34860	27341	39172	30716

Heating

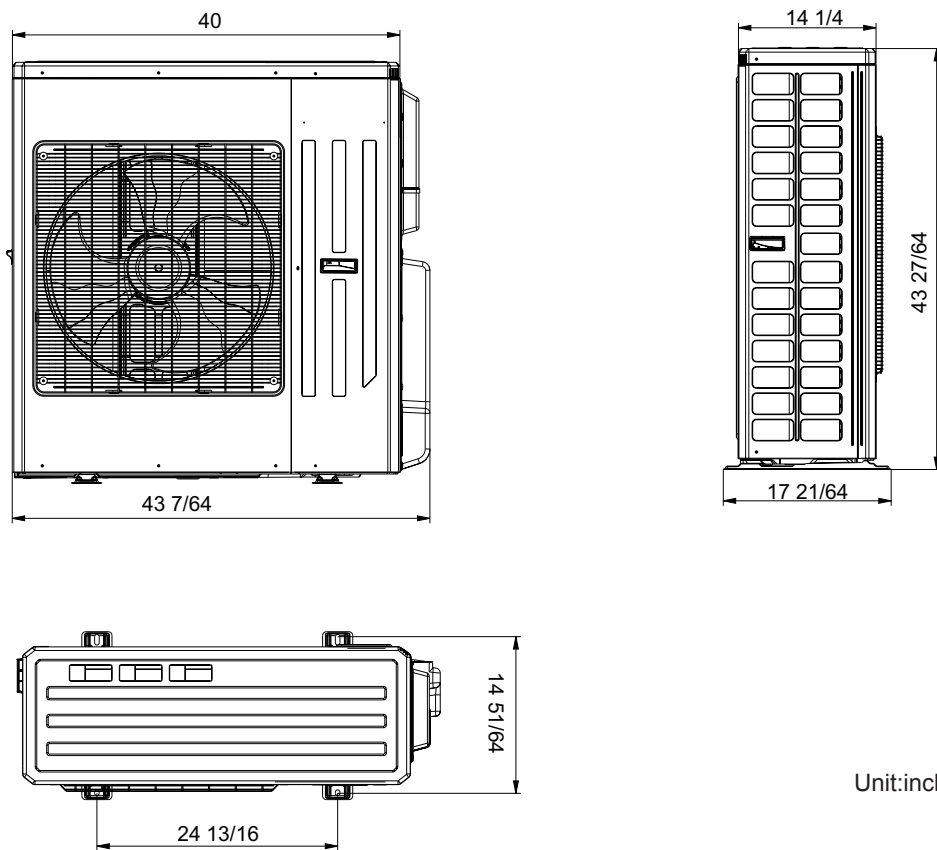
Outdoor Ambient Temperature (DB) °F	Indoor Entering Air Temperatures								
	68F DB			73°F DB			80°F DB		
	57F WB			61°FWB			67°FWB		
	TC	Power Input (KW)	COP	TC	Power Input (KW)	COP	TC	Power Input (KW)	COP
-31°F	27000	5.50	1.44	28000	5.70	1.44	26000	5.85	1.30
-22°F	28744	5.57	1.51	29134	5.73	1.49	27998	5.91	1.39
-13°F	32450	5.65	1.68	31904	5.81	1.61	30689	5.99	1.50
-5°F	37824	5.64	1.97	37188	5.79	1.88	35799	5.98	1.76
0°F	40580	5.73	2.08	39905	5.89	1.99	38349	6.08	1.85
5°F	40771	5.70	2.10	40085	5.86	2.00	38558	6.05	1.87
10°F	44700	5.76	2.27	43955	5.92	2.18	42258	6.11	2.03
17°F	42723	5.72	2.19	42011	5.88	2.10	40352	6.06	1.95
19°F	42686	5.50	2.28	41988	5.65	2.18	40320	5.83	2.03
24°F	41296	5.42	2.23	40671	5.58	2.14	39250	5.75	2.00
32°F	40132	5.19	2.27	39589	5.33	2.18	38348	5.50	2.04
41°F	41630	5.11	2.39	41141	5.26	2.29	39959	5.42	2.16
43°F	42751	5.10	2.46	42248	5.24	2.36	41093	5.41	2.23
47°F	46460	5.22	2.61	45655	5.36	2.50	43789	5.53	2.32
53°F	46920	4.74	2.90	46101	4.87	2.77	44234	5.03	2.58
59°F	43198	4.78	2.65	42435	4.92	2.53	40703	5.07	2.35
64°F	44117	4.39	2.95	43341	4.51	2.82	41582	4.65	2.62
70°F	44945	4.46	2.96	44169	4.58	2.83	42358	4.73	2.63
75°F	45579	4.07	3.28	44777	4.19	3.14	42965	4.32	2.92
78°F	45993	4.11	3.28	45191	4.22	3.14	43353	4.36	2.92

3. Outline Dimension Diagram

MULTIU18HP230V1DO MULTI24HP230V1DO



MULTIU36HP230V1DO MULTI42HP230V1DO



5. Electrical Part

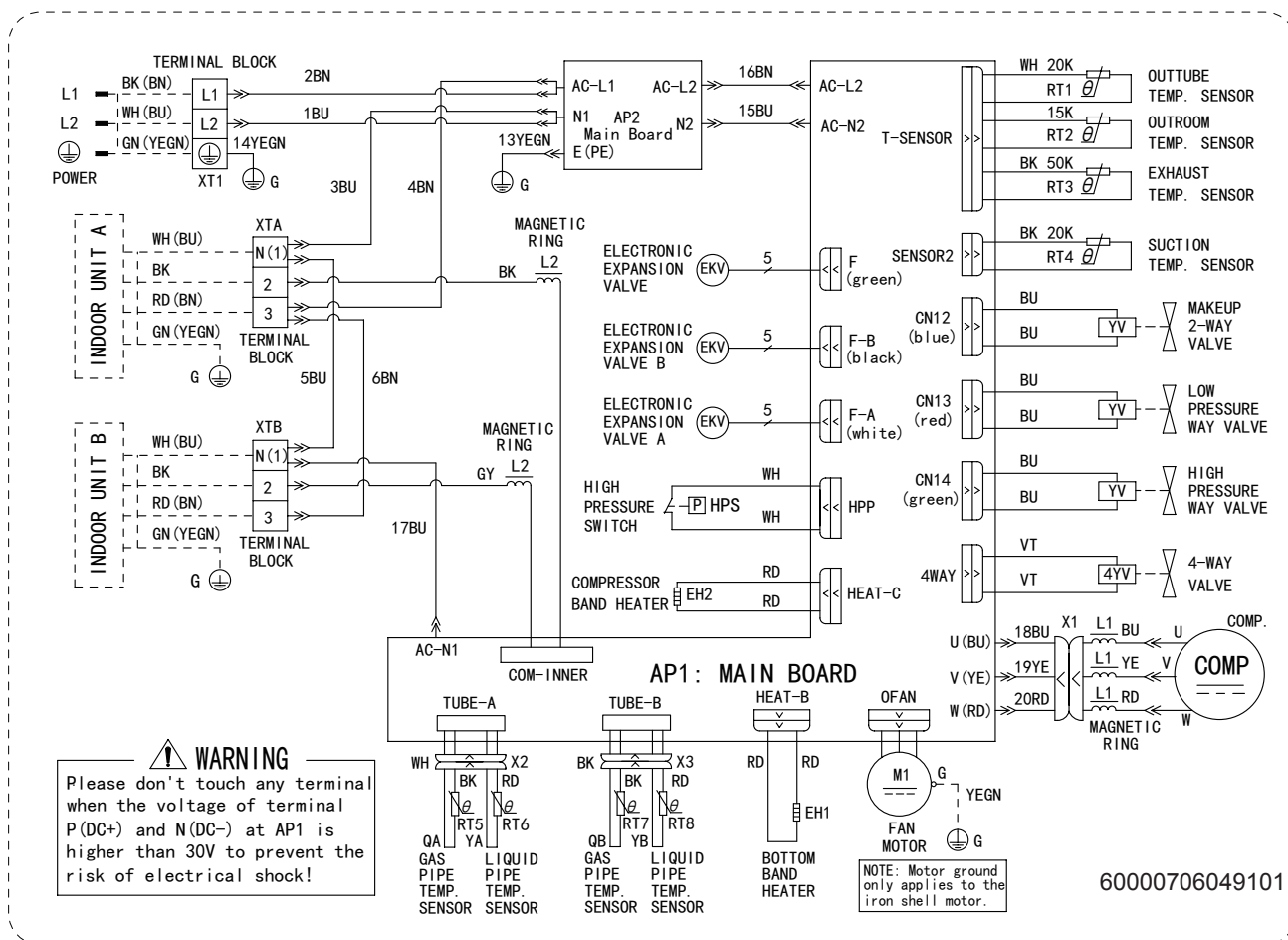
5.1 Wiring Diagram

● Instruction

Symbol	Symbol Color	Symbol	Symbol Color	Symbol	Name
WH	White	GN	GREEN	COMP	Compressor
YE	Yellow	BN	Brown		Grounding wire
RD	Red	BU	Blue		
YEGN	Yellow/Green	BK	Black		
VT	Violet	OG	Orange		

● Outdoor Unit

MULTIU18HP230V1DO

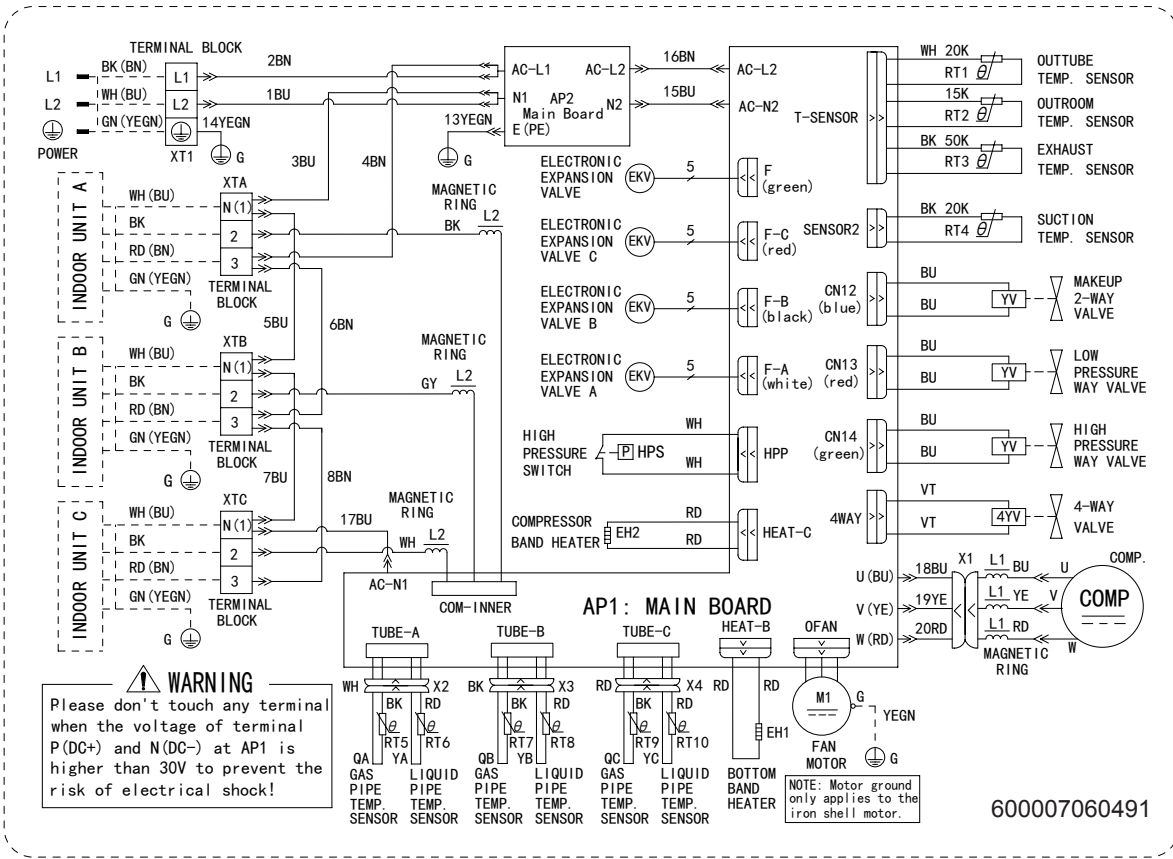


⚠ WARNING
Please don't touch any terminal when the voltage of terminal P(DC+) and N(DC-) at AP1 is higher than 30V to prevent the risk of electrical shock!

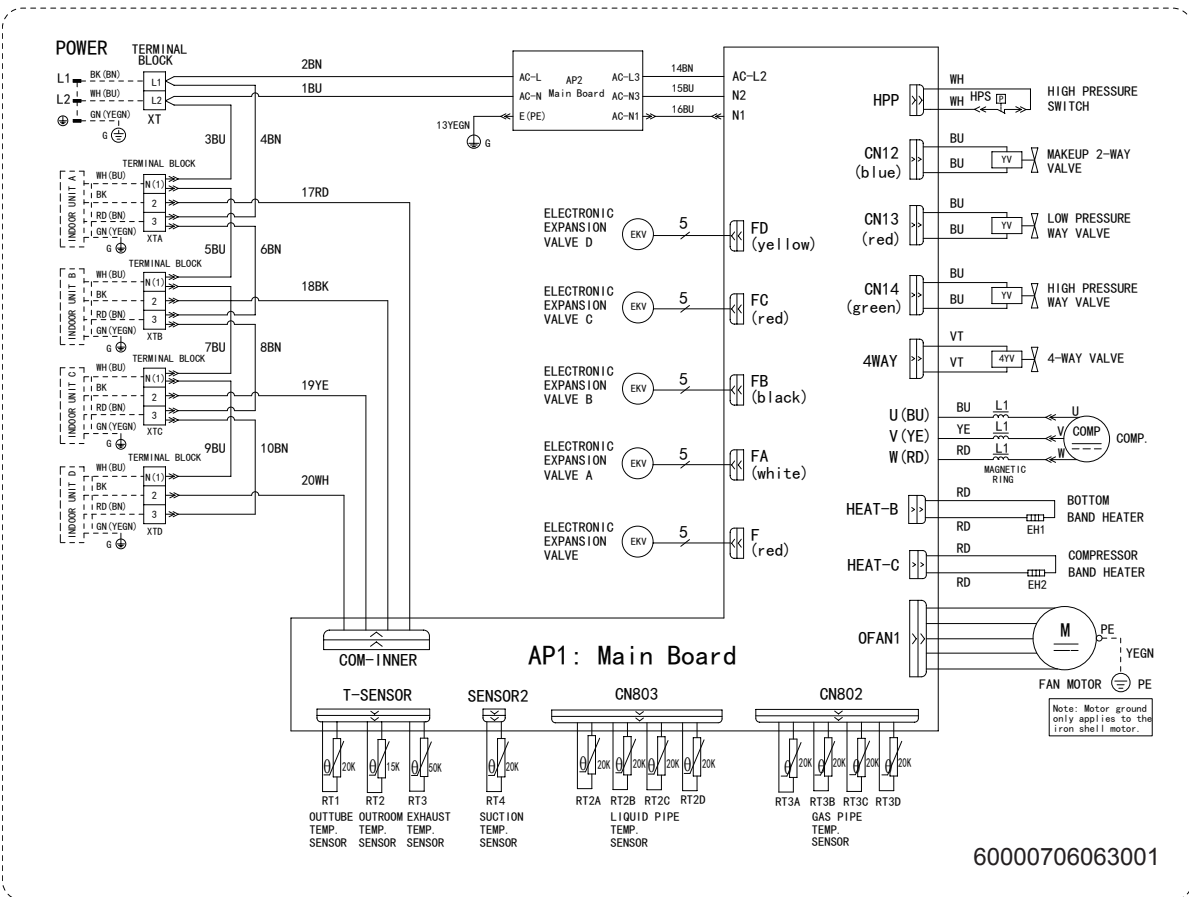
NOTE: Motor ground only applies to the iron shell motor.

60000706049101

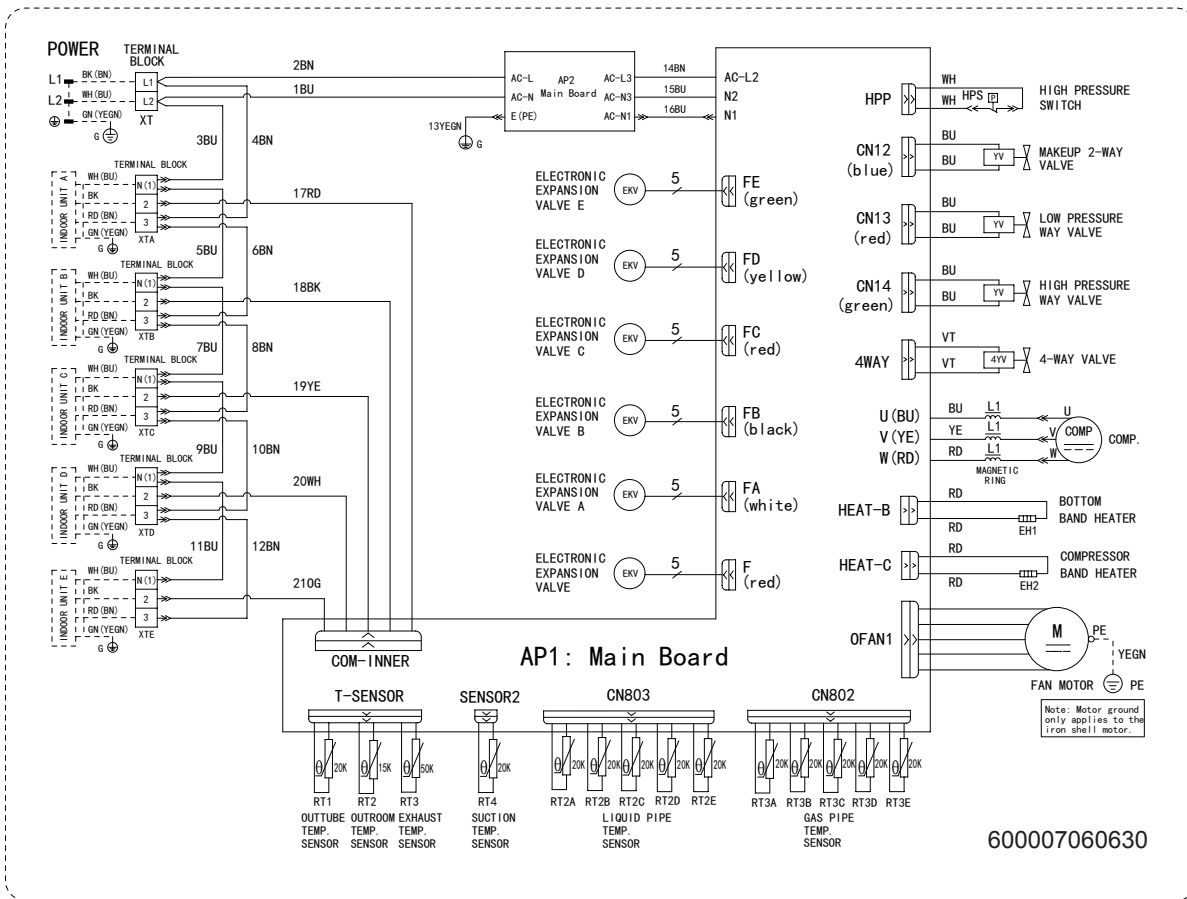
MULTIU24HP230V1DO



MULTIU36HP230V1DO



MULTIU42HP230V1DO



These circuit diagrams are subject to change without notice, please refer to the one supplied with the unit.

6. Function and Control

1. Function Control

1) Cooling mode

a. Turning on the unit for cooling operation, and if any one of the indoor units satisfy the cooling operation condition, the system will start for cooling operation; and the electronic expansion valve, the outdoor fan and the compressor start operation.

b. When some of the indoor units satisfy the stop-condition while some indoor units does not satisfy the stop-condition, the compressor does not stop, the compressor adjust the frequency according to demand. For the indoor unit with stop-condition satisfies, the corresponding electronic expansion valve will be closed.

c. Change Cooling mode to heating mode

When change the unit to heating mode from cooling mode, the whole system will stop first. Then the system will restart in heating mode after the compressor stops.

d. 4-way valve

In this mode, the 4-way valve is closed.

e. Outdoor fan control in cooling mode

The outdoor fan starts before 5s of the starting of compressor. The outdoor fan will run in high speed after starting and then it will run in set speed.

2) Dry mode (dehumidification mode)

This mode is the same as cooling mode;

3) Heating mode

a. Turning on the unit for heating operation, If any one of the indoor unit satisfy the heating condition, the system will start to run in heating mode

b. If all the indoor units satisfy the stop-condition, the compressor stops and the outdoor fan stops after 1min;

c. If only part of the indoor units satisfy the stop-condition, the compressor decrease the frequency immediately and operates according to demand.

d. Change Heating mode to cooling mode or dehumidification mode, the whole system will stop first, then restart under the required mode.

e. Defrosting function

When the defrosting condition is satisfied, the 4-way valve reverses the direction, the outdoor fan stop. After the 4-way valve reverses the direction, the frequency of compressor rises, and the unit will start defrosting under cooling cycle.

f. Oil-return control in heating mode

a) If the whole system runs in low frequency for a long time, the system will run a oil-return operation in high frequency, the oil-return operation will runs for 60 second.

4) Fan mode

Only indoor fan run. Compressor, outdoor fan and 4-way valve are closed .

2. Protection Function

1) Mode conflict protection of indoor units

When the setting mode is different of different indoor unit, the unit runs in below status:

a. The system mode is determined by the first turning on indoor unit except indoor unit is in fan mode. Cooling mode (dry mode) is in conflict with heating mode.

b. If the first turning on unit is fan mode, and the second turning on unit is cooling or heating mode, then the system will run in cooling or heating mode.

2) Overload protection

If the tube temperature at the high pressure side is higher than normal, the compressor frequency is restricted or decreased to normal operation frequency.

3) High exhaust temperature protection

If the exhaust temperature is higher than protection value, the compressor stops running.

If the exhaust temperature protection continuously appears for 6 times, the compressor can't resume running. In this case, only by cutting off the power and then reenergize that the compressor can restart. If the running duration of the compressor is longer than 10min, the protection times will be cleared to zero time.

4) Communication malfunction

Detection of the quantity of installed indoor units: after 3min of energizing, if the outdoor unit does not receive the communication data of certain indoor unit, the outdoor unit will judge that indoor unit is not installed. If the outdoor unit receives the communication data of that indoor unit later, the communication malfunction will be cleared.

5) System high-pressure protection

a. When the high-pressure switch detects the system pressure higher than limit, then the high-pressure switch cuts off, the system will stop to run.

b. If high-pressure protection is detected for one time, only by cutting off the power and then reenergize that the compressor can restart.

6) Compressor overload protection

No matter the compressor is on or off, when the compressor overload switch is detected activated, the system will stop and indoor unit will display H3. If the compressor overload protection appears for more than 6 times, in this case, only by cutting off the power and then reenergize that the compressor can restart. If the running duration of the compressor is longer than 30min, the protection times will be cleared to zero.

7) Antifreeze protection

Under cooling and dry mode, 6minutes after the compressor is started:

When it is detected for 10 minutes successively that T_{evap} is less than -2°C (varying with indoor unit), the antifreeze protection will be activated, in which case the outdoor unit will immediately shut off the indoor electronic expansion valve and the capacity will be set to "0".

If T_{evap} exceed 10°C and the compressor has remained at OFF for at least 3minutes, the compressor will resume its original operation state.

Part II : Installation and Maintenance

7. Safety Precautions



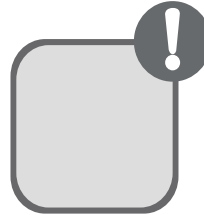
Forbidden Items! It indicates that improper operation might lead to human casualty or severe injury.



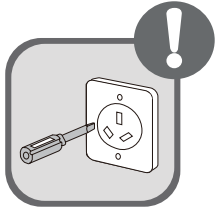
Items need to be followed. It indicates that improper operation might lead to personal injury or property damage.



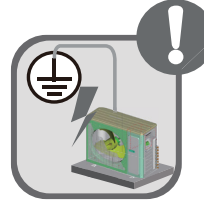
Follow this instruction to complete the installation work.
Please carefully read this manual before unit startup and service.



Installation should be conducted by dealer or qualified personnel. Please do not attempt to install the unit by yourself. Improper handling may result in water leakage, electric shock or fire disaster etc.



Before installation, please check if the power supply is in accordance with the requirements specified on the nameplate. And also take care of the power safety.



Make sure the unit can be earthed properly and soundly after plugging into the socket so as to avoid electric shock. Please do not connect the groundwire to gas pipe, water pipe, lightning rod or telephone line.



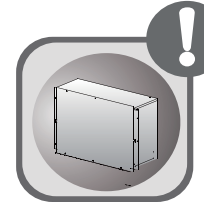
Be sure to use the exclusive accessory and part to prevent the water leakage, electric shock and fire accidents.



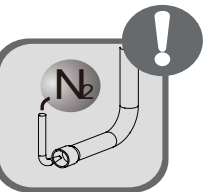
If refrigerant leakage happens during installation, please ventilate immediately. Poisonous gas will emerge if the refrigerant gas meets fire.



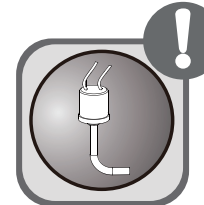
Wire size of power cord should be large enough. The damaged power cord and connection wire should be replaced by exclusive cable.



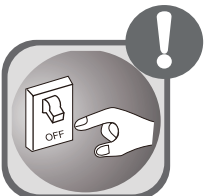
After connecting the power cord, please fix the electric box cover properly in order to avoid accident.



Never fail to comply with the nitrogen charge requirements. Charge nitrogen when welding pipes.



Never short-circuit or cancel the pressure switch to prevent unit damage.



Please firstly connect the wired controller before energization, otherwise wired controller can not be used.



Before using the unit, please check if the piping and wiring are correct to avoid water leakage, refrigerant leakage, electric shock, or fire etc.


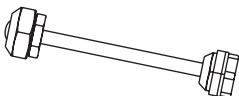
Main Tools for Installation and Maintenance

<p>1. Level meter, measuring tape</p> 	<p>2. Screw driver</p> 	<p>3. Impact drill, drill head, electric drill</p> 
<p>4. Electroprobe</p> 	<p>5. Universal meter</p> 	<p>6. Torque wrench, open-end wrench, inner hexagon spanner</p> 
<p>7. Electronic leakage detector</p> 	<p>8. Vacuum pump</p> 	<p>9. Pressure meter</p> 
<p>10. Pipe pliers, pipe cutter</p> 	<p>11. Pipe expander, pipe bender</p> 	<p>12. Soldering appliance, refrigerant container</p> 

8.1 Preparation before Installation

8.1.1 Standard parts

Please use the following standard parts supplied by GREE.

Pars of Outdoor Unit				
Number	name	picture	Quantity	Remark
1	Owner's manual		1	
2	Tube connector subassy		18/24/36K:8; 42K:9	

8.1.2 Selecting installation site



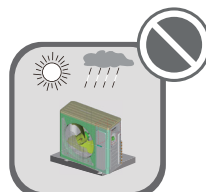
Forbidden Items! It indicates that improper operation might lead to human casualty or sever injury.



Items need to be followed. It indicates that improper operation might lead to personal injury or property damage.



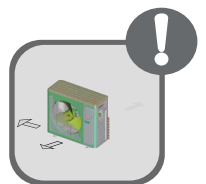
Install the unit at a place where is adequa to withstand the weight of the unit and make sure the unit would not shake or fall off.



Never expose the unit under direct sunshine and rainful. install the unit at a place where is against dust, typhoon and earthquake.



Try to keep the unit away from combustibile, inflammable and corrosive gas or exhaust gas.



Leave some space for heat exchanging and servicing so as to guarantee unit normal operation.



Keep the indoor and outdoor units close to each other as much units close to each other as much the pipe length and bends.



Never allow children to approach to the unit and take measures to prevent children touching the unit.

8.2 Installation Instruction

8.2.1 Outline and dimension of the outdoor unit

NAME OF PARTS

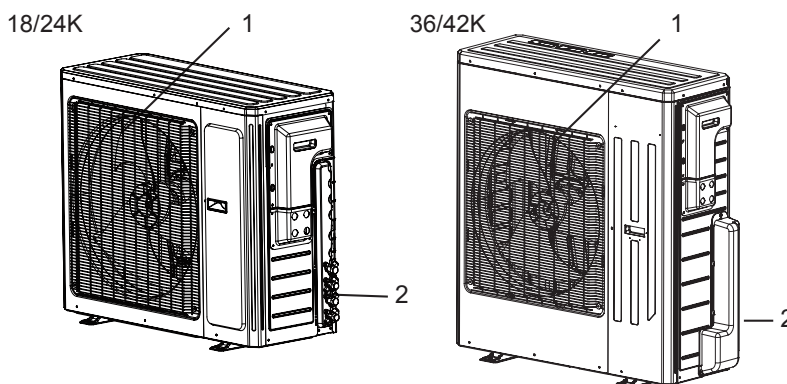
WARNING

- If the supply cord is damaged, it must be replaced by the manufacturer or its service agent or a similarly qualified person in order to avoid a hazard.
- Be sure to cut off the power supply before cleaning the air conditioner; otherwise electric shock might happen.
- Wetting of air conditioner may cause the risk of electric shock. Make sure not to wash your air conditioner in any case.
- Volatile liquids such as thinner or gasoline will cause damage to the appearance of air conditioner. (Only use soft dry cloth moist cloth clean the air conditioner cabinet).
- Do not dispose this product as unsorted municipal waste. Collection of such waste separately for special treatment is necessary.
- The temperature of refrigerant circuit will be high, please keep the interconnection cable away from the copper tube.



OUTDOOR UNIT	
No.	Description
1	Air outlet grille
2	Valve

Note: The above figures are only intended to be a simple diagram of the appliance and may not correspond to the appearance of the units that have been purchased



TECHNICAL DATA

MODE	MULTIU18HP230V1DO	MULTIU24HP230V1DO	MULTIU36HP230V1DO MULTIU42HP230V1DO		
Electrical data					
Electricity supply	208/230V,60HZ	208/230V,60HZ	208/230V,60HZ		
Fuse or air switch	35	40	60	A	
Minimum power cord section	AWG10	AWG10	AWG8		
Size and clearance					
	L	36 7/32	36 7/32	40	inch
	P	14 37/64	14 37/64	17 21/64	inch
	H	31 7/64	31 7/64	43 27/64	inch

OUTDOOR UNIT WORKING TEMPERATURE RANGE

	OutdoorsideDB/WB(°c)
Maximum cooling	115°F(46°C)/-
Maximum heating	75.2°F(24°C)/-

ELECTRICAL CONNECTIONS

1. Remove the handle at the right side plate of the outdoor unit (one screw).
2. Remove the cable clamp, connect the power connection cable with the terminal at the row of connection and fix the connection. The fitting line distributing must be consistent with the indoor unit terminal of line bank. Wiring should meet that of indoor unit.
3. Fix power connection wire by wire clamp.
4. Ensure wire has been fixed well.
5. Install the handle.

⚠ Including an air switch with suitable capacity, please note the following table. Air switch should be included magnet buckle and heating buckle function, it can protect the circuit-short and overload. (Caution: please do not use the fuse only for protect the circuit)

Air-conditioner	Air switch capacity
MULTIU18HP230V1DO	35A
MULTIU24HP230V1DO	40A
MULTIU36HP230V1DO	60A
MULTIU42HP230V1DO	60A

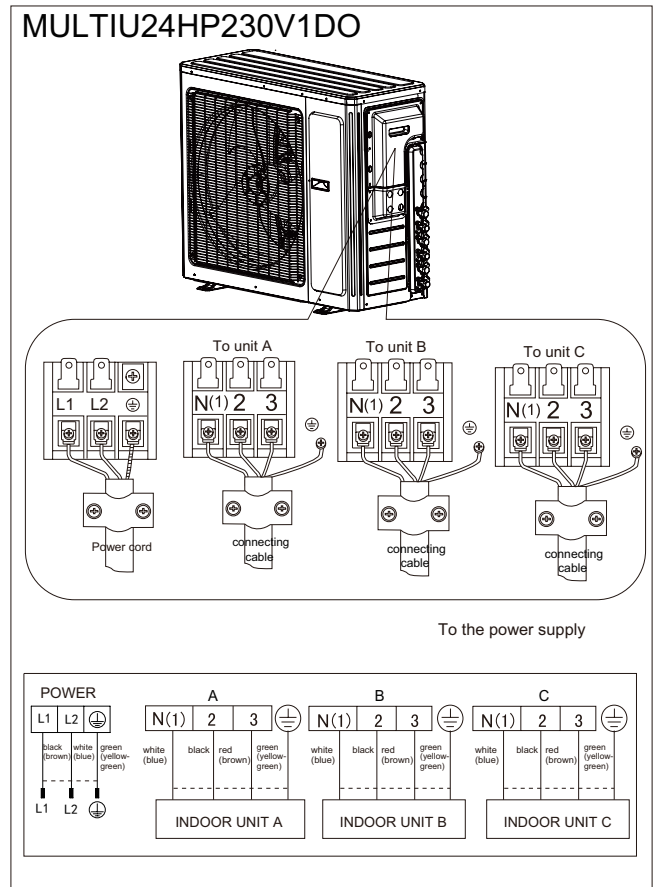
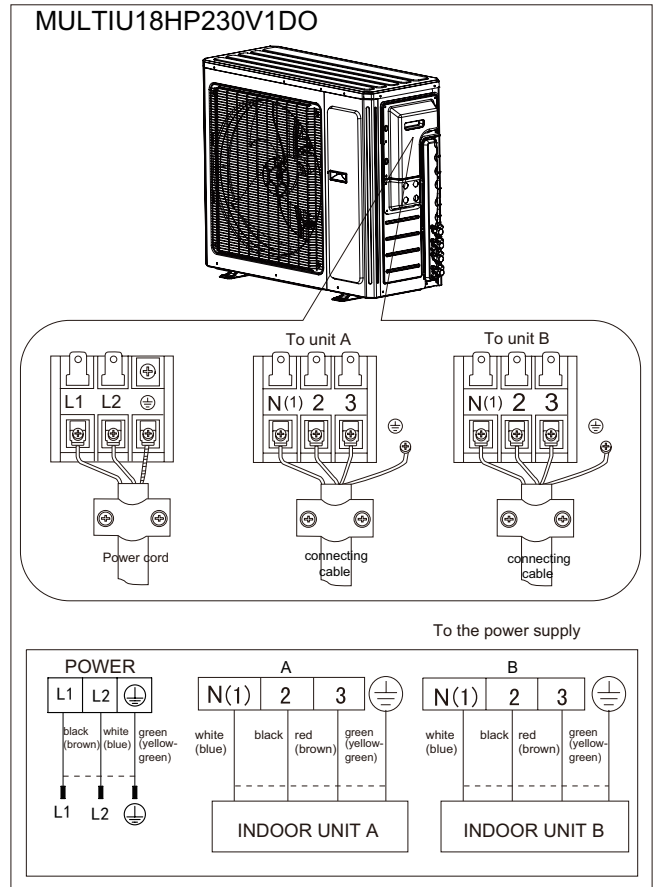
⚠ An all-pole disconnection switch having a contact separation of at least 3mm in all pole should be connected in fixed wiring.

⚠ Wrong wire connection may cause malfunction of some electric components. After fixing cable, ensure that leads between connection to fixed point have some space.

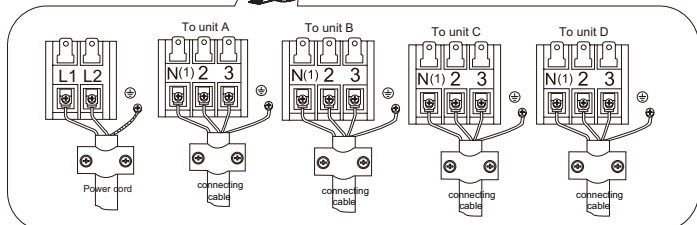
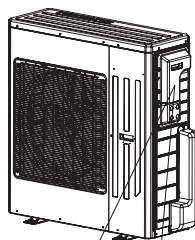
⚠ The connection pipes and the connecting wirings of the unit A and unit B must be corresponding to each other respective.

⚠ The appliance shall be installed in accordance with national wiring regulations.

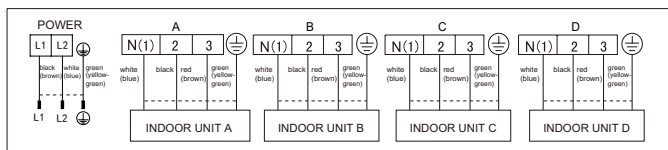
Note: the above figures are only intended to be a simple diagram of the appliance and may not correspond to the appearance of the units that have been purchased.



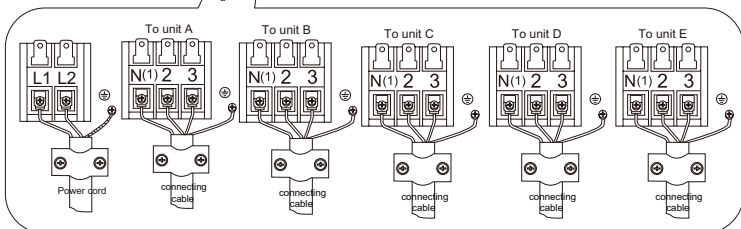
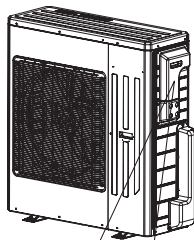
MULTIU36HP230V1DO



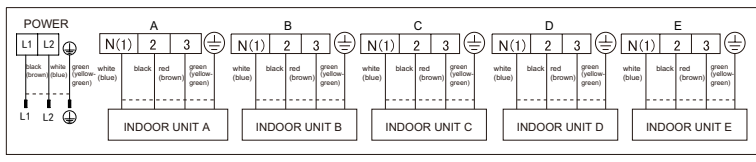
To the power supply



MULTIU42HP230V1DO



To the power supply



INSTALLING THE OUTDOOR UNIT

Location

▲ Use bolts to secure the unit to a flat, solid floor. When mounting the unit on a wall or the roof, make sure the support is firmly secured so that it cannot move in the event of intense vibrations or a strong wind.

- Do not install the outdoor unit in pits or air vents

Installing the pipes

▲ Use suitable connecting pipes and equipment for the refrigerant R410A.

▲

Models	18Kx2	24Kx3	36Kx4	42Kx5
Max. connection pipe length(m)	50	70	75	80
Max. connection pipe length (Simple one indoor unit)	25	25	25	25

▲ The refrigerant pipes must not exceed the maximum heights 10m(18Kx2&24Kx2&24Kx3&36x2&36x3&36x4&42x2 &42x3&42x4&42x5)..

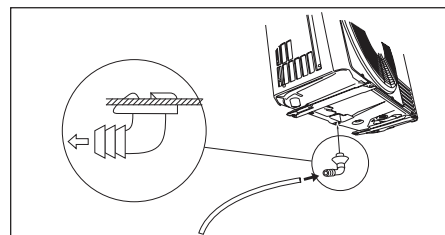
▲ Wrap all the refrigerant pipes and joints.

▲ Tighten the connections using two wrenches working in opposite directions.

Caution: Installation Must be Performed in Accordance with the NEC/CEC by Authorized Personnel Only.

Install the drain fitting and the drain hose(for model with heat pump only)

Condensation is produced and flows from the outdoor unit when the appliance is operating in the heating mode. In order not to disturb neighbours and to respect the environment, install a drain fitting and a drain hose to channel the condensate water. Install the drain fitting and rubber washer on the outdoor unit chassis and connect a drain hose to it as shown in the figure.



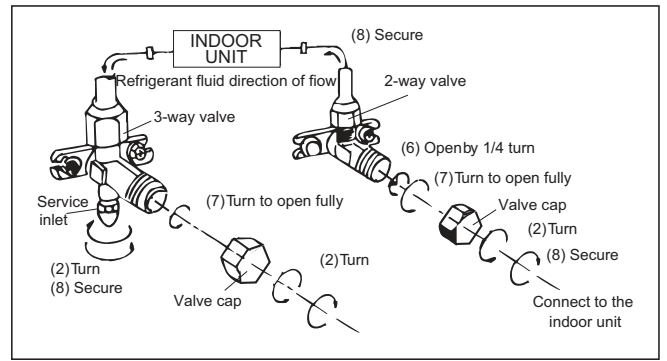
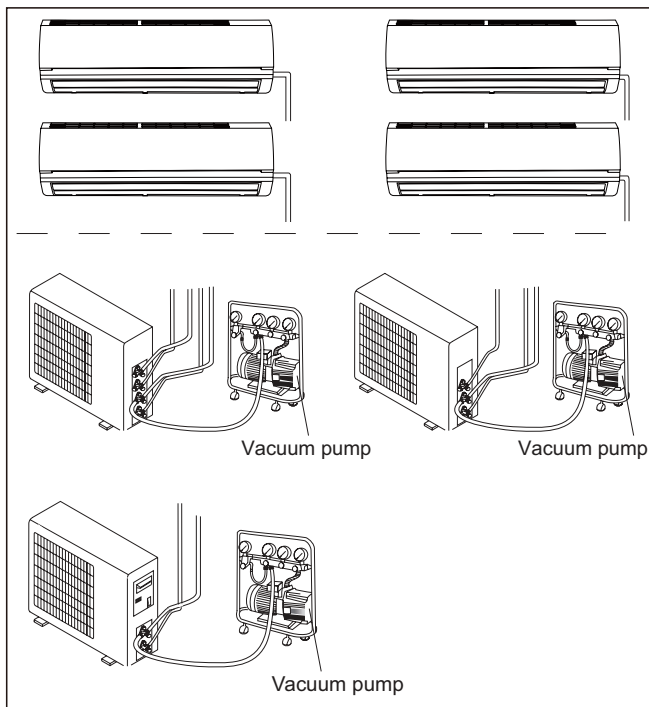
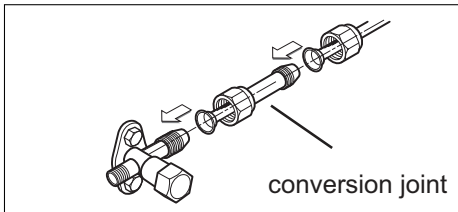
BLEEDING

Humid air left inside the refrigerant circuit can cause compressor malfunction. After having connected the indoor and outdoor units, bleed the air and humidity from the refrigerant circuit using a vacuum pump.

- (1) Unscrew and remove the caps from the 2-way and 3-way valves.
- (2) Unscrew and remove the cap from the service valve.
- (3) Connect the vacuum pump hose to the service valve.
- (4) Operate the vacuum pump for 10-15 minutes until an absolute vacuum of 10 mm Hg has been reached.
- (5) With the vacuum pump still in operation, close the low-pressure knob on the vacuum pump coupling. Stop the vacuum pump.
- (6) Open the 2-way valve by 1/4 turn and then close it after 10 seconds. Check all the joints for leaks using liquid soap or an electronic leak device.
- (7) Turn the body of the 2-way and 3-way valves. Disconnect the vacuum pump hose.
- (8) Replace and tighten all the caps on the valves.

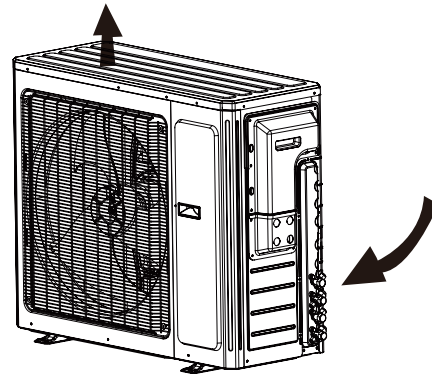
Diameter (mm)	Twisting moment (N.m)
Φ6	15-20
Φ9.52	35-40
Φ12	45-50
Φ16	60-65
Φ19	70-75

18/24/36/42K unit need to be installed the indoor unit



MAINTENANCE

- ⚠ Use suitable instruments for the refrigerant R410A.
- Do not use any other refrigerant than R410A.
- ⚠ Do not use mineral oils to clean the unit.



INSTALLATION DIMENSION DIAGRAM

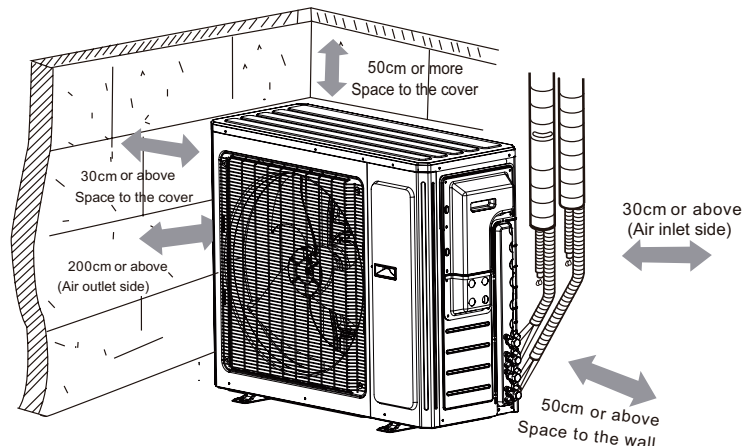
⚠ The installation must be done by trained and qualified service personnel with reliability according to this manual.

⚠ Contact service center before installation to avoid the malfunction due to unprofessional installation.

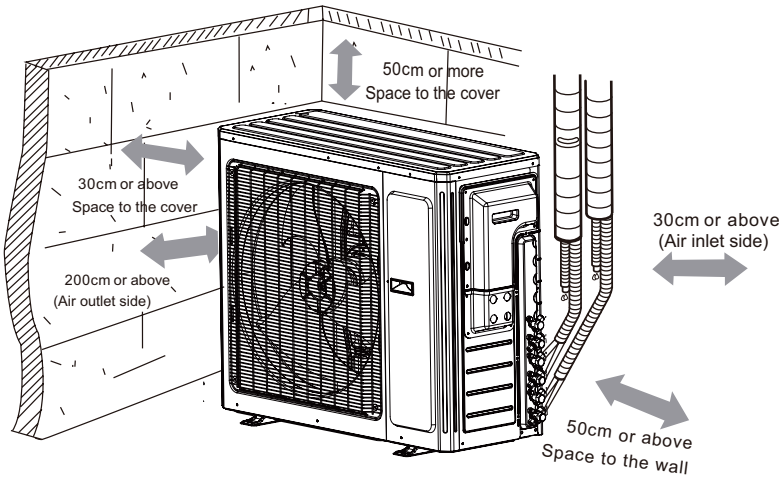
⚠ When picking up and moving the units, you must be guided by trained and qualified person.

⚠ Ensure that the recommended space is left around the appliance.

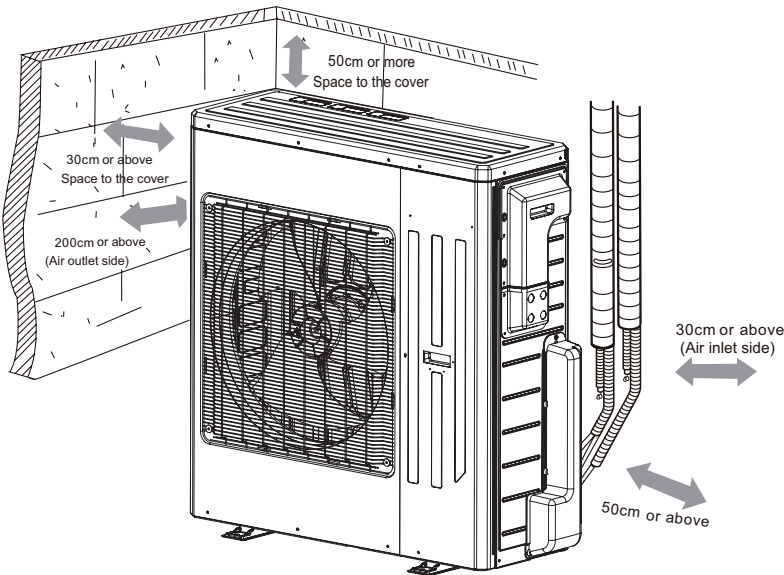
MULTIU18HP230V1DO



MULTIU24HP230V1DO



MULTIU36HP230V1DO MULTIU42HP230V1DO



9. Troubleshooting

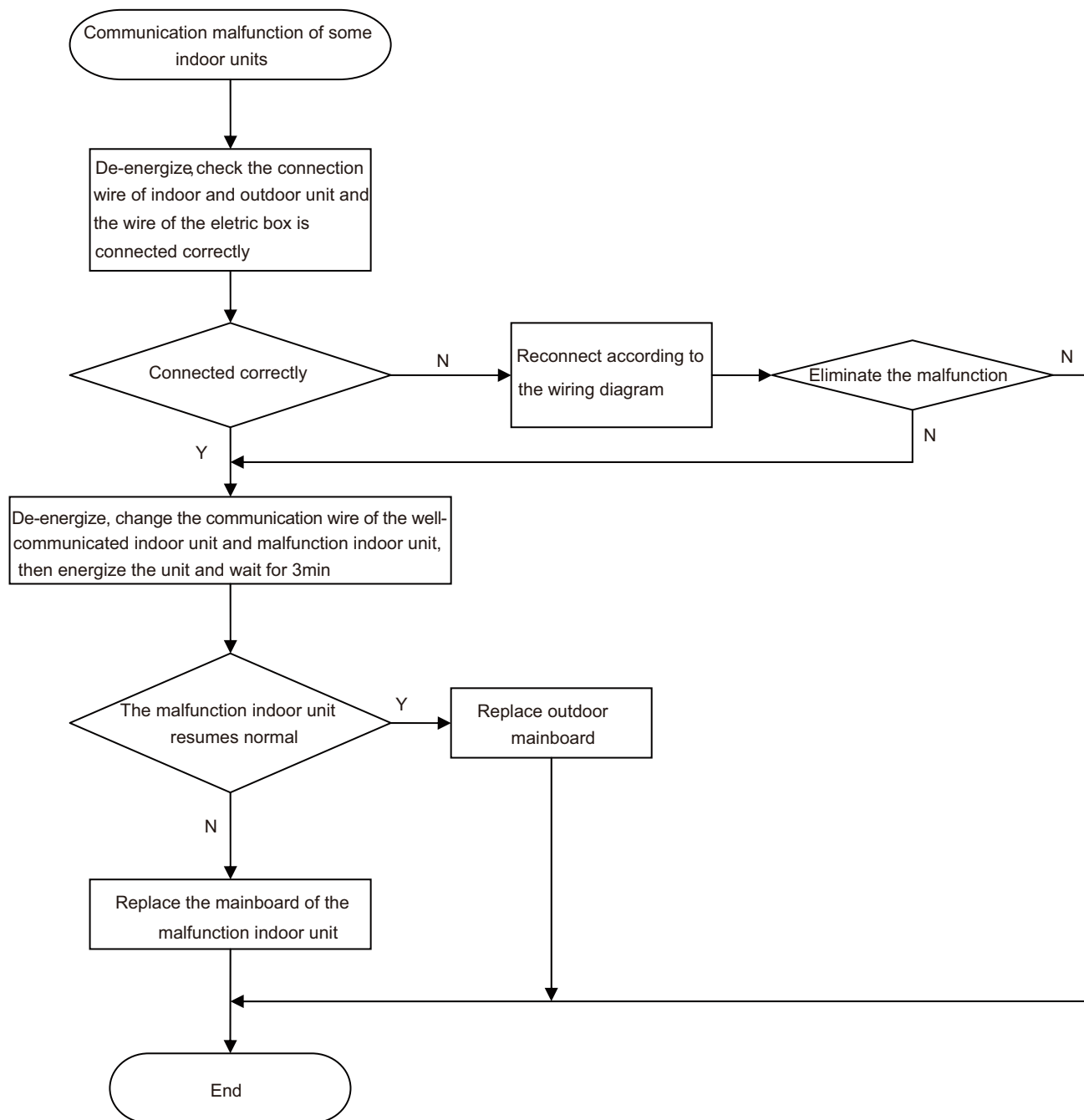
9.1 Malfunction Indicator

▲ The error code will be displayed on the wired controller and the main board of the outdoor unit. The meaning of each error.

Name of malfunction	The indicator display			Indoor display
	Yellow light	Red light	Green light	
Compressor runs	Flash once			
Defrost	Flash twice			H1
Anti-freezing protection	Flash 3 times			E2
IPM protection	Flash 4 times			H5
AC over-current protection	Flash 5 times			E5
Over-burden protection	Flash 6 times			H4
Compressor exhaust high temperature protection	Flash 7 times			E4
Compressor overload protection	Flash 8 times			H3
Power protection	Flash 9 times			L9
EEPROM reads and write protection	Flash 11 times			
Low PN voltage protection	Flash 12 times			PL
Over voltage protection for PN	Flash 13 times			PH
PFC protection	Flash 14 times			HC
PFC module temperature protection	Flash 15 times			oE
Low pressure protection	Flash 17 times			E3
High pressure protection	Flash 18 times			E1
Limit/decline frequency(electric current)		Flash 1 times		
Frequency limit (exhaust)		Flash 2 times		
Frequency limit(Over-burden)		Flash 3 times		
Outdoor ambient sensor malfunction		Flash 6 times		F3
Outdoor tube sensor malfunction		Flash 5 times		F4
Exhaust sensor malfunction		Flash 7 times		F5
Attain the temperature of switch on		Flash 8 times		
Frequency limit(power)		Flash 13 times		
Outdoor fan malfunction		Flash 14 times		
Frequency limit(PFC module temperature)		Flash 15 times		
PFC module sensor malfunction		Flash 16 times		oE
Liquid pipe temperature sensor malfunction of A		Flash 17 times		
Gas pipe temperature sensor malfunction of A		Flash 18 times		
Liquid pipe temperature sensor malfunction of B		Flash 19 times		
Gas pipe temperature sensor malfunction of B		Flash 20 times		
Liquid pipe temperature sensor malfunction of C		Flash 21 times		
Gas pipe temperature sensor malfunction of C		Flash 22 times		
Liquid pipe temperature sensor malfunction of D		Flash 23 times		
Gas pipe temperature sensor malfunction of D		Flash 24 times		
Liquid pipe temperature sensor malfunction of E		Flash 25 times		
Gas pipe temperature sensor malfunction of E		Flash 26 times		
Exit of the condenser tube sensor malfunction		Flash 27 times		
Correspondence is normal			Flash 7 times(n=indoor unit number)	
Communication failure between indoor unit and outdoor unit (indoor unit all Communication failure)			Often bright	
Indoor ambient sensor malfunction				F1
Indoor evaporate sensor malfunction				F2
Mode conflict				E7
Accept fluorine mode				Fo
Jumper cap malfunction protection				C5

9.2 Malfunction Checking and Elimination

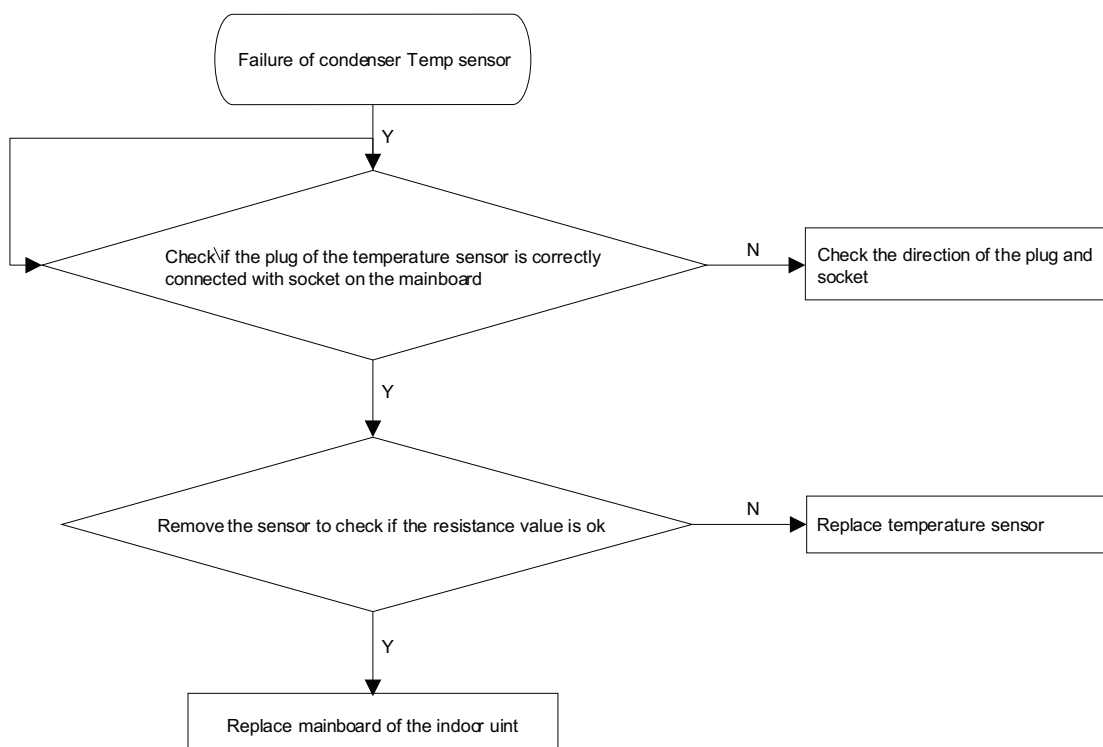
◆ Malfunction display: E6 Communication malfunction



◆ Malfunction display: E1 Compressor High Pressure Protection



◆ Malfunction display: F2 Failure of Evaporator Temp. Sensor



9.3 Maintenance Method for Normal Malfunction

1. Air Conditioner Can't be Started Up

Possible Causes	Discriminating Method (Air conditioner Status)	Troubleshooting
No power supply, or poor connection for power plug	After energization, operation indicator isn't bright and the buzzer can't give out sound	Confirm whether it's due to power failure. If yes, wait for power recovery. If not, check power supply circuit and make sure the power plug is connected well.
Wrong wire connection between indoor unit and outdoor unit, or poor connection for wiring terminals	Under normal power supply circumstances, operation indicator isn't bright after energization	Check the circuit according to circuit diagram and connect wires correctly. Make sure all wiring terminals are connected firmly
Electric leakage for air conditioner	After energization, room circuit breaker trips off at once	Make sure the air conditioner is grounded reliably Make sure wires of air conditioner is connected correctly Check the wiring inside air conditioner. Check whether the insulation layer of power cord is damaged; if yes, place the power cord.
Model selection for air switch is improper	After energization, air switch trips off	Select proper air switch
Malfunction of remote controller	After energization, operation indicator is bright, while no display on remote controller or buttons have no action.	Replace batteries for remote controller Repair or replace remote controller

2. Poor Cooling (Heating) for Air Conditioner

Possible Causes	Discriminating Method (Air conditioner Status)	Troubleshooting
Set temperature is improper	Observe the set temperature on remote controller	Adjust the set temperature
Rotation speed of the IDU fan motor is set too low	Small wind blow	Set the fan speed at high or medium
Filter of indoor unit is blocked	Check the filter to see it's blocked	Clean the filter
Installation position for indoor unit and outdoor unit is improper	Check whether the installation position is proper according to installation requirement for air conditioner	Adjust the installation position, and install the rainproof and sunproof for outdoor unit
Refrigerant is leaking	Discharged air temperature during cooling is higher than normal discharged wind temperature; Discharged air temperature during heating is lower than normal discharged wind temperature; Unit's pressure is much lower than regulated range	Find out the leakage causes and deal with it. Add refrigerant.
Malfunction of 4-way valve	Blow cold wind during heating	Replace the 4-way valve
Malfunction of capillary	Discharged air temperature during cooling is higher than normal discharged wind temperature; Discharged air temperature during heating is lower than normal discharged wind temperature; Unit's pressure is much lower than regulated range. If refrigerant isn't leaking, part of capillary is blocked	Replace the capillary
Flow volume of valve is insufficient	The pressure of valves is much lower than that stated in the specification	Open the valve completely
Malfunction of horizontal louver	Horizontal louver can't swing	Refer to point 3 of maintenance method for details
Malfunction of the IDU fan motor	The IDU fan motor can't operate	Refer to troubleshooting for H6 for maintenance method in details
Malfunction of the ODU fan motor	The ODU fan motor can't operate	Refer to point 4 of maintenance method for details
Malfunction of compressor	Compressor can't operate	Refer to point 5 of maintenance method for details

3. Horizontal Louver Can't Swing

Possible Causes	Discriminating Method (Air conditioner Status)	Troubleshooting
Wrong wire connection, or poor connection	Check the wiring status according to circuit diagram	Connect wires according to wiring diagram to make sure all wiring terminals are connected firmly
Stepping motor is damaged	Stepping motor can't operate	Repair or replace stepping motor
Main board is damaged	Others are all normal, while horizontal louver can't operate	Replace the main board with the same model

4. ODU Fan Motor Can't Operate

Possible causes	Discriminating method (air conditioner status)	Troubleshooting
Wrong wire connection, or poor connection	Check the wiring status according to circuit diagram	Connect wires according to wiring diagram to make sure all wiring terminals are connected firmly
Capacity of the ODU fan motor is damaged	Measure the capacity of fan capacitor with an universal meter and find that the capacity is out of the deviation range indicated on the nameplate of fan capacitor.	Replace the capacity of fan
Power voltage is a little low or high	Use universal meter to measure the power supply voltage. The voltage is a little high or low	Suggest to equip with voltage regulator
Motor of outdoor unit is damaged	When unit is on, cooling/heating performance is bad and ODU compressor generates a lot of noise and heat.	Change compressor oil and refrigerant. If no better, replace the compressor with a new one

5. Compressor Can't Operate

Possible causes	Discriminating method (air conditioner status)	Troubleshooting
Wrong wire connection, or poor connection	Check the wiring status according to circuit diagram	Connect wires according to wiring diagram to make sure all wiring terminals are connected firmly
Capacity of compressor is damaged	Measure the capacity of fan capacitor with an universal meter and find that the capacity is out of the deviation range indicated on the nameplate of fan capacitor.	Replace the compressor capacitor
Power voltage is a little low or high	Use universal meter to measure the power supply voltage. The voltage is a little high or low	Suggest to equip with voltage regulator
Coil of compressor is burnt out	Use universal meter to measure the resistance between compressor terminals and it's 0	Repair or replace compressor
Cylinder of compressor is blocked	Compressor can't operate	Repair or replace compressor

6. Air Conditioner is Leaking

Possible causes	Discriminating method (air conditioner status)	Troubleshooting
Drain pipe is blocked	Water leaking from indoor unit	Eliminate the foreign objects inside the drain pipe
Drain pipe is broken	Water leaking from drain pipe	Replace drain pipe
Wrapping is not tight	Water leaking from the pipe connection place of indoor unit	Wrap it again and bundle it tightly

7. Abnormal Sound and Vibration

Possible causes	Discriminating method (air conditioner status)	Troubleshooting
When turn on or turn off the unit, the panel and other parts will expand and there's abnormal sound	There's the sound of "PAPA"	Normal phenomenon. Abnormal sound will disappear after a few minutes.
When turn on or turn off the unit, there's abnormal sound due to flow of refrigerant inside air conditioner	Water-running sound can be heard	Normal phenomenon. Abnormal sound will disappear after a few minutes.
Foreign objects inside the indoor unit or there're parts touching together inside the indoor unit	There's abnormal sound fro indoor unit	Remove foreign objects. Adjust all parts' position of indoor unit, tighten screws and stick damping plaster between connected parts
Foreign objects inside the outdoor unit or there're parts touching together inside the outdoor unit	There's abnormal sound fro outdoor unit	Remove foreign objects. Adjust all parts' position of outdoor unit, tighten screws and stick damping plaster between connected parts
Short circuit inside the magnetic coil	During heating, the way valve has abnormal electromagnetic sound	Replace magnetic coil
Abnormal shake of compressor	Outdoor unit gives out abnormal sound	Adjust the support foot mat of compressor, tighten the bolts
Abnormal sound inside the compressor	Abnormal sound inside the compressor	If add too much refrigerant during maintenance, please reduce refrigerant properly. Replace compressor for other circumstances.

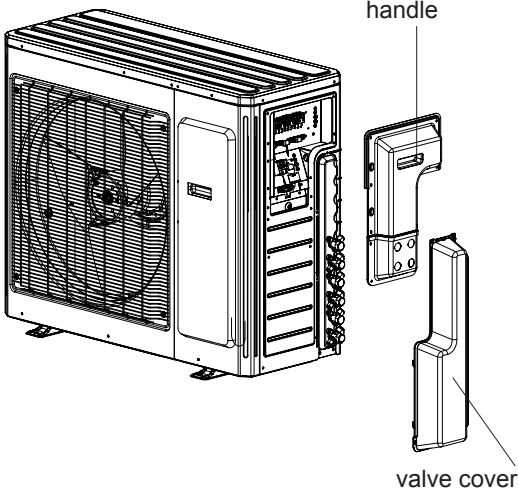
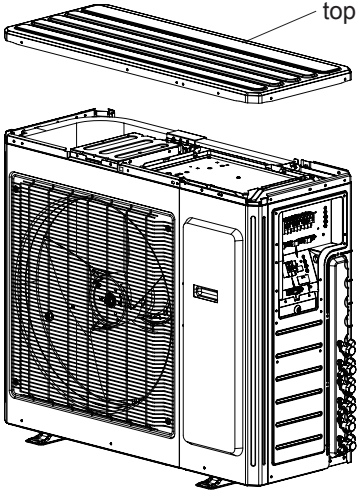
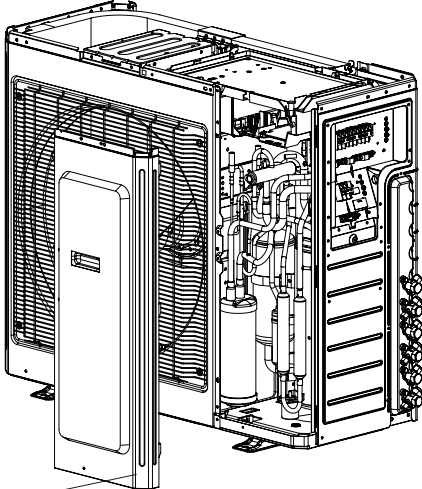


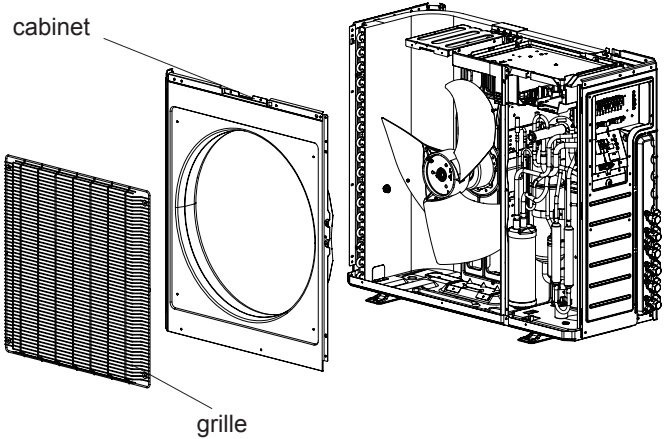
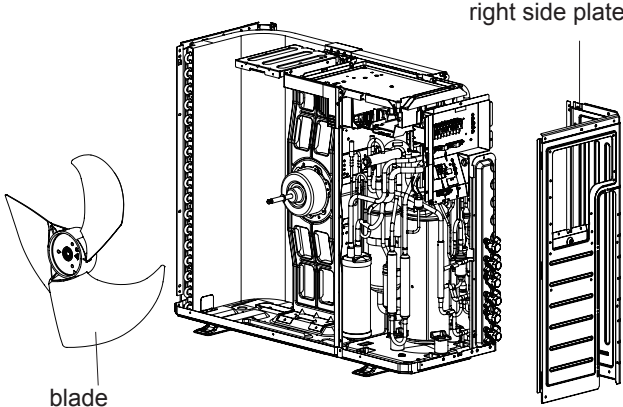
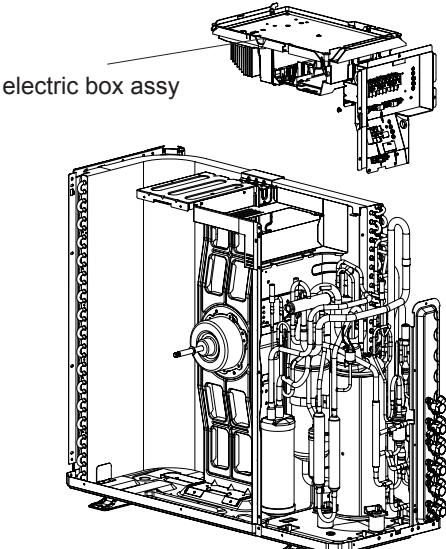
11. Removal Procedure

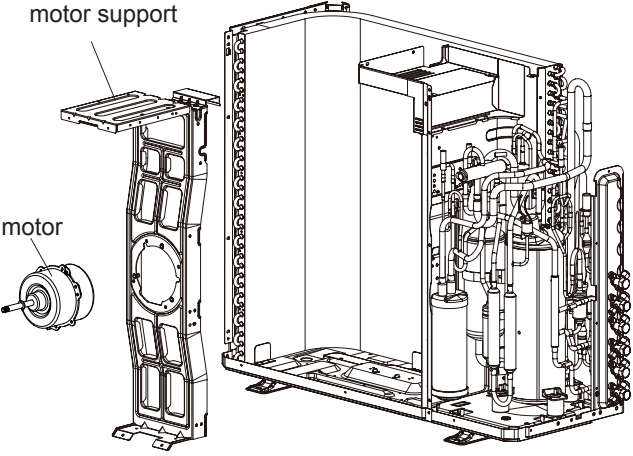
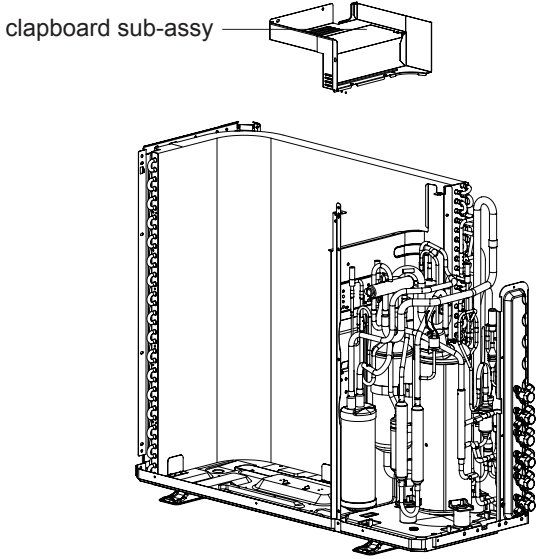
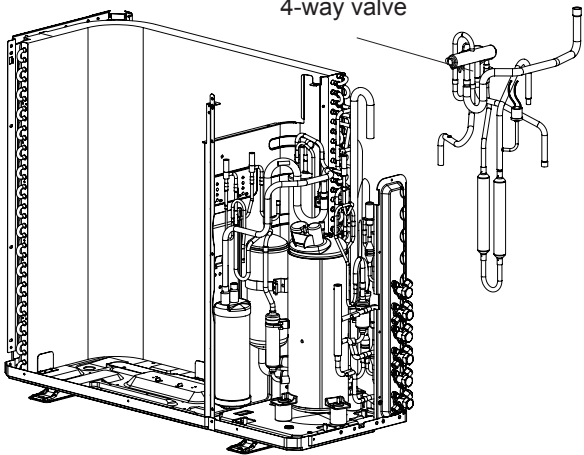


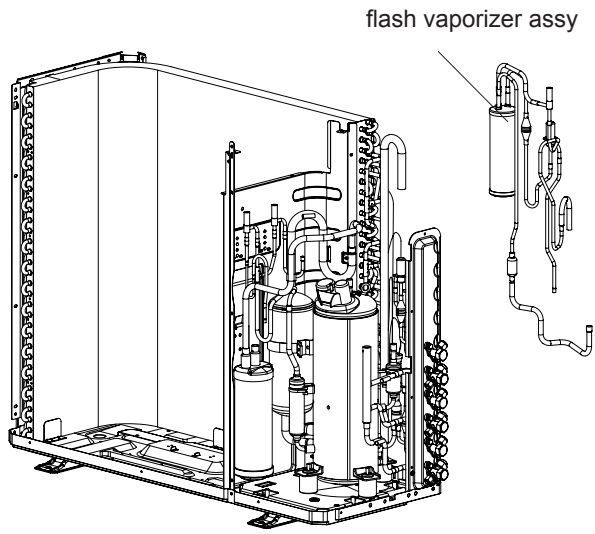
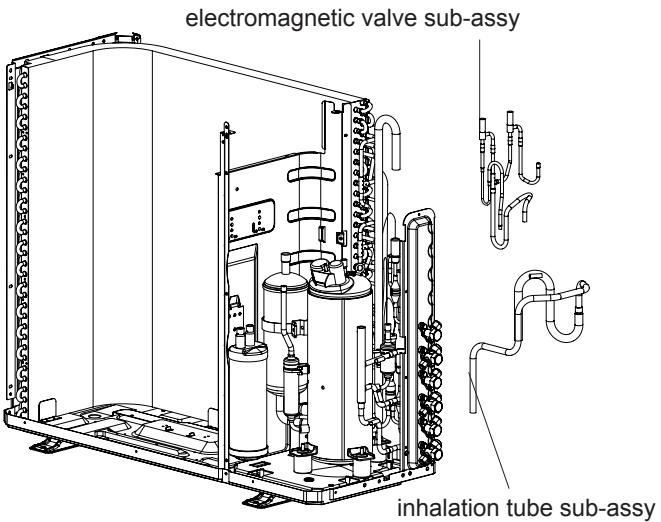
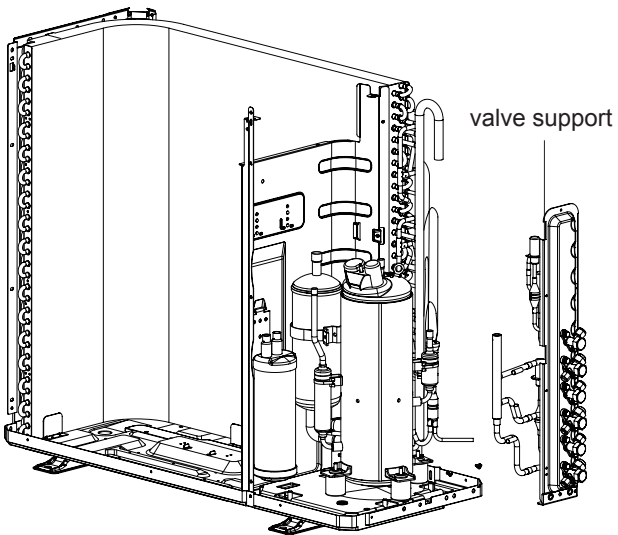
Warning: Be sure to wait for a minimum of 20 minutes after turning off all power supplies and discharge the refrigerant completely before removal.

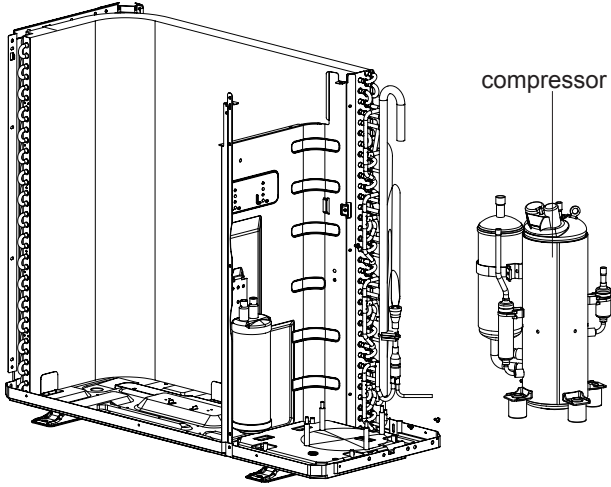
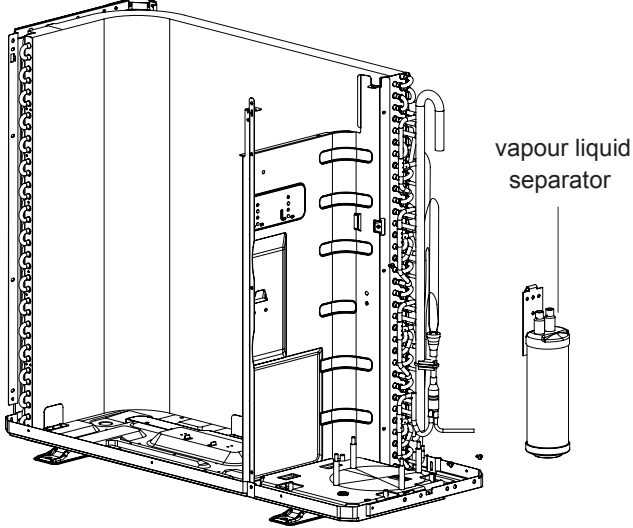
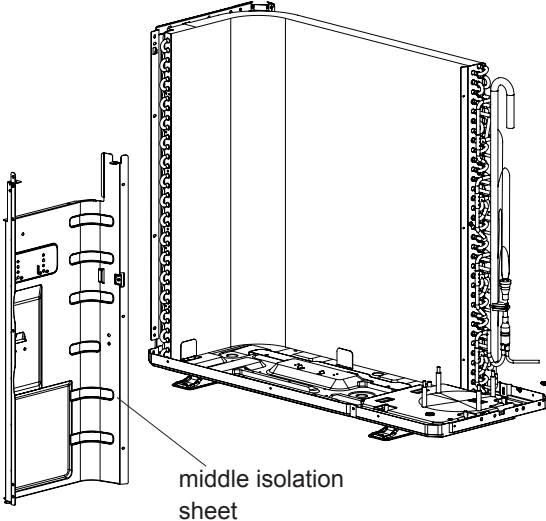
MULTIU18HP230V1DO MULTIU24HP230V1DO

Steps	Procedure
<p>1. Remove the handle and valve cover</p>	<p>Remove the screws connecting the handle with right side plate and then remove the handle.</p> <p>Remove the screws connecting the valve cover and then remove the valve cover.</p>  <p>Labels: handle, valve cover</p>
<p>2. Remove top cover</p>	<p>Remove the screws connecting the top cover with outer case, right side plate and left side plate; lift the top cover upwards to remove it.</p>  <p>Label: top cover</p>
<p>3. Remove front side plate</p>	<p>Remove the screws connecting the front side plate with chassis and middle isolation sheet, and then remove the front side plate</p>  <p>Label: front side plate</p>

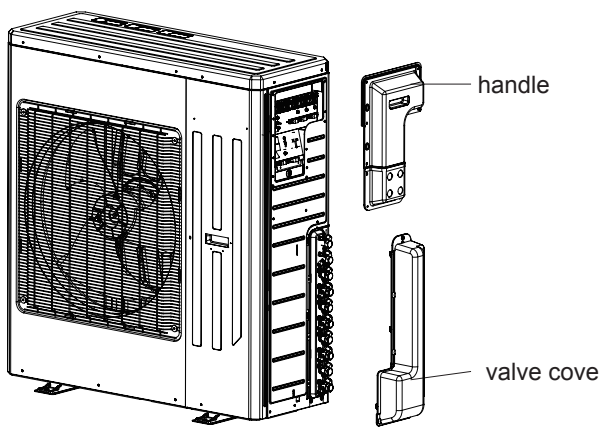
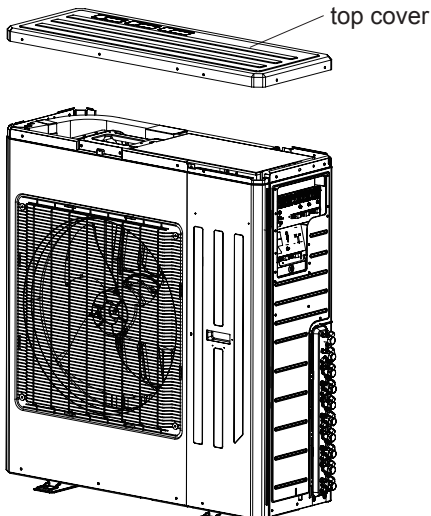
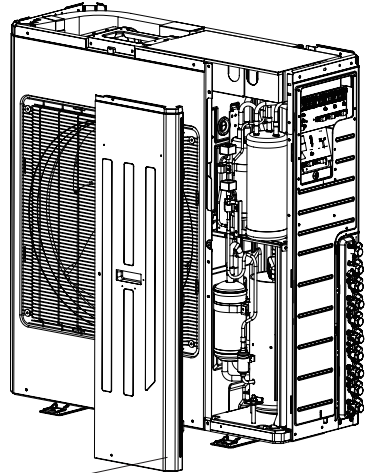
Steps	Procedure
<p>4.Remove grille and cabinet</p>	<p>Remove the 4 screws connecting the grille and outer case, and then remove the panel grille.</p> 
<p>5.Remove right side plate and blade</p>	<p>Remove the screws connecting the right side plate with electric box assy, valve support, chassis and condenser side plate, and then remove the right side plate.</p> <p>Remove nuts fixing axial flow blade with wrench, and then remove the axial flow blade.</p> 
<p>6. Remove electric box assy</p>	<ol style="list-style-type: none"> 1.Remove the grounding wire screw on the electric box assy and then remove the grounding wire. 2.Disconnect the wiring terminals of reactor, compressor, high and low pressure switch, compressor overload protector, temperature sensor, outdoor fan motor and 4-way valve. (See fig 2) Note: keep pressing the circlip when disconnecting the wiring terminal of reactor; keep pressing the retainer when disconnecting other wiring terminals. 3.Remove the wire inside the wiring groove. 

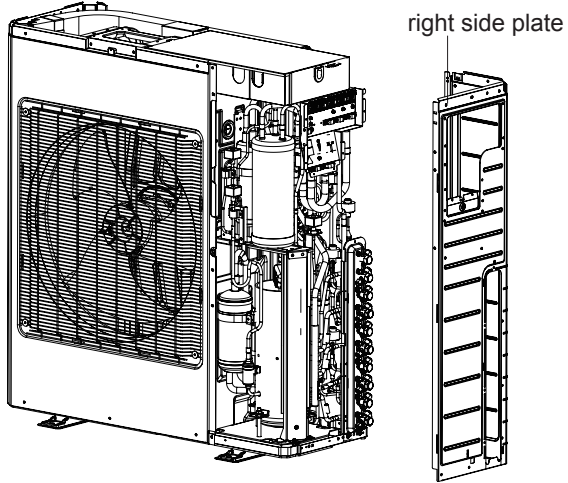
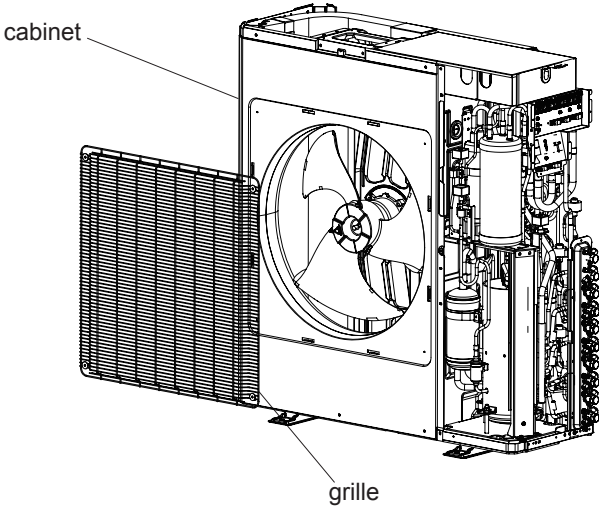
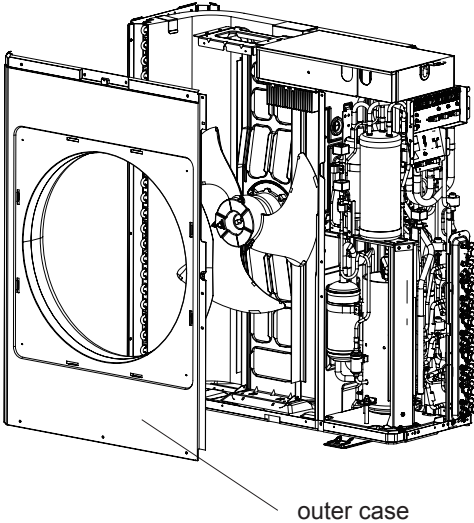
Steps	Procedure
7. Remove motor and motor support	<p>Remove 4 screws fixing motor, and then remove the motor;</p> <p>Remove 2 screws connecting motor support and chassis, loosen damper block and then remove the motor support.</p> 
8. Remove clapboard sub-assy	<p>Remove 4 screws fixing clapboard sub-assy, and then remove the clapboard sub-assy.</p> 
9. Remove 4-way valve	<p>Unsolder the spot weld between 4-way valve and vapour liquid separator, compressor cut-off valve sub-assy and condenser, and then remove the 4-way valve.</p> <p>Note: When unsoldering the spot weld, wrap the 4-way valve with wet cloth completely to avoid damage to valve due to high temperature.</p> 

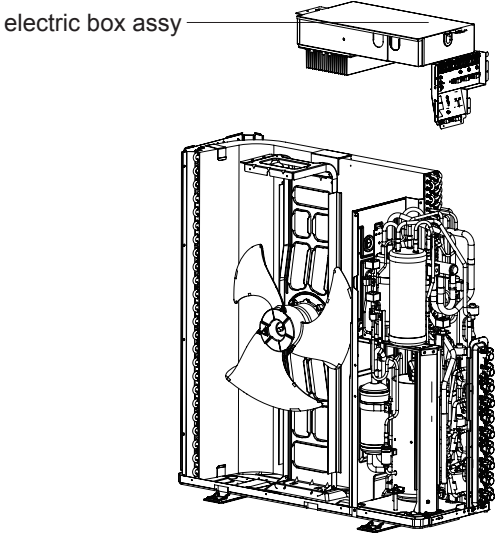
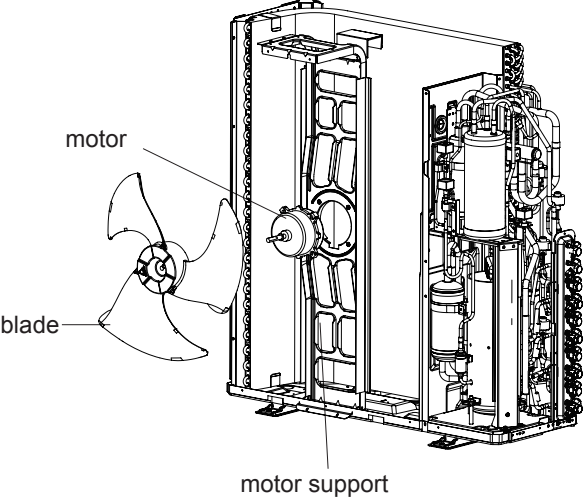
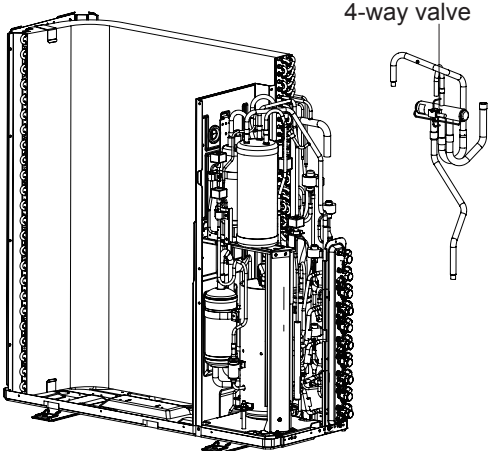
Steps	Procedure	
<p>10. Remove flash vaporizer assy</p>	<p>Unsolder all spot welds cflash vaporizer assy, and then remove the flash vaporizer assy.</p>	
<p>11. Remove electromagnetic valve sub-assy and inhalation tube sub-assy</p>	<p>Unsolder all spot welds electromagnetic valve sub-assy and then remove the electromagnetic valve sub-assy.</p> <p>Unsolder all spot welds inhalation tube sub-assy and then remove the inhalation tube sub-assy.</p>	
<p>12. Remove valve support</p>	<p>Unsolder all spot welds connected with valve support and then remove the valve support.</p> <p>Note:When unsoldering the spot weld, wrap the gas valve and liquid valve with wet cloth completely to avoid damage to valve due to high temperature.</p>	

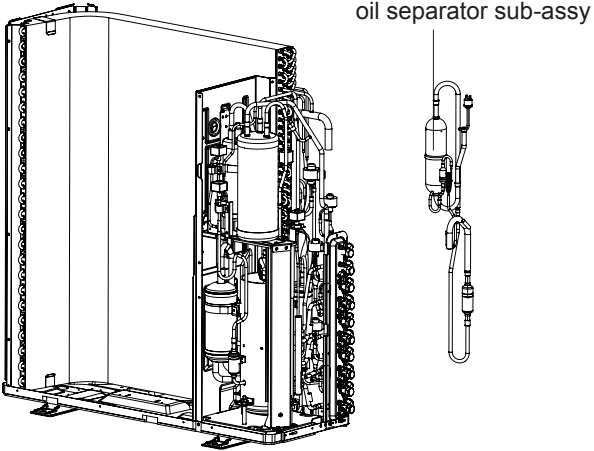
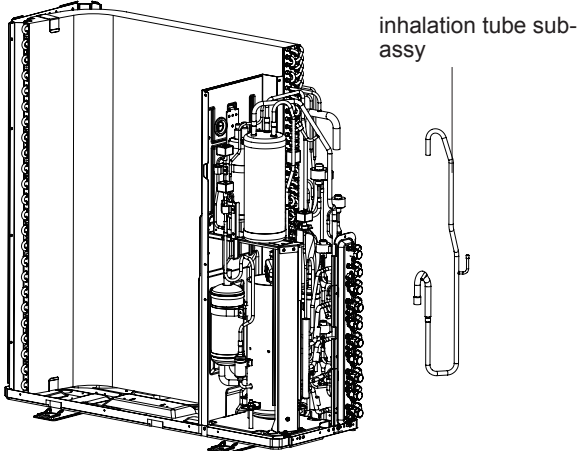
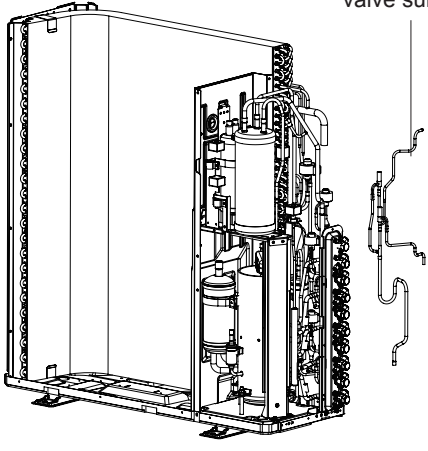
Steps	Procedure	Image
<p>13. Remove compressor</p>	<p>Remove the 3 foot nuts fixing compressor and then lift the compressor upwards to remove the compressor and damping cushion. Note: Keep the ports of discharge pipe and suction pipe from foreign objects.</p>	
<p>14. Remove vapour liquid separator</p>	<p>Unsolder spot welds connected with vapour liquid separator, remove 2 foot nuts fixing vapour liquid separator and compressor mounting plate sub-assy, and then remove the vapour liquid separator.</p>	
<p>15. Remove middle isolation sheet</p>	<p>Remove screws connecting middle isolation sheet and support plate of condenser, chassis, and then remove the middle isolation sheet.</p>	

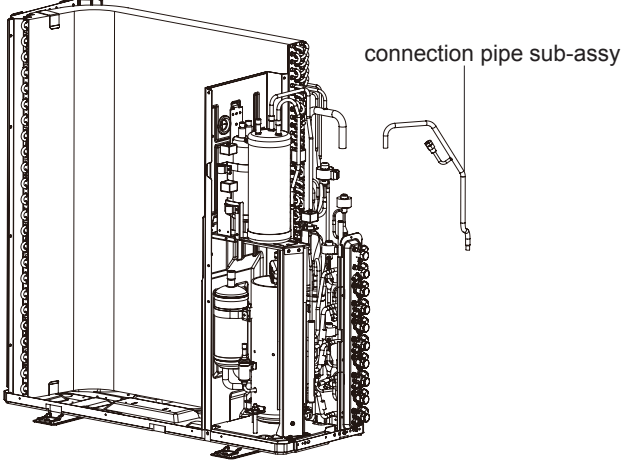
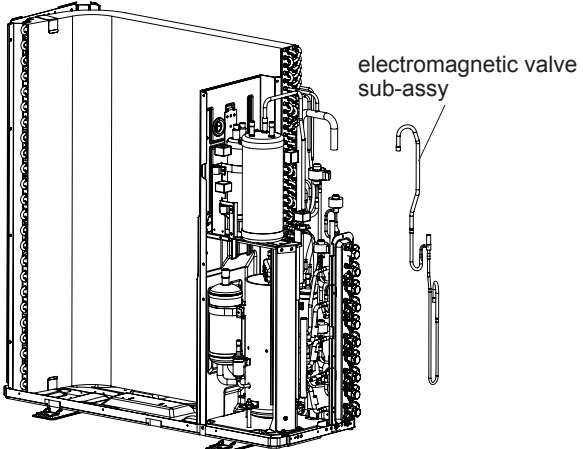
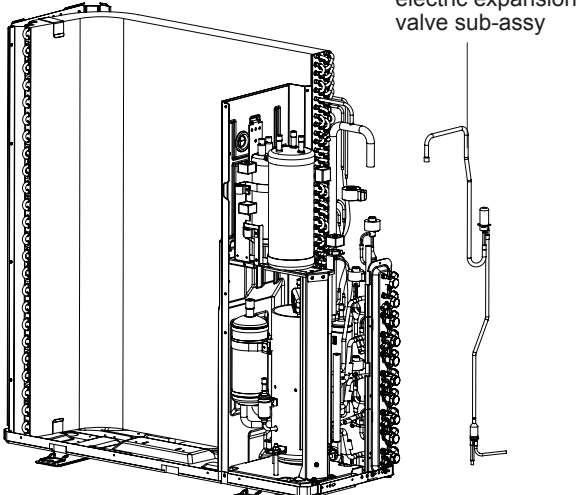
MULTIU36HP230V1DO MULTI42HP230V1DO

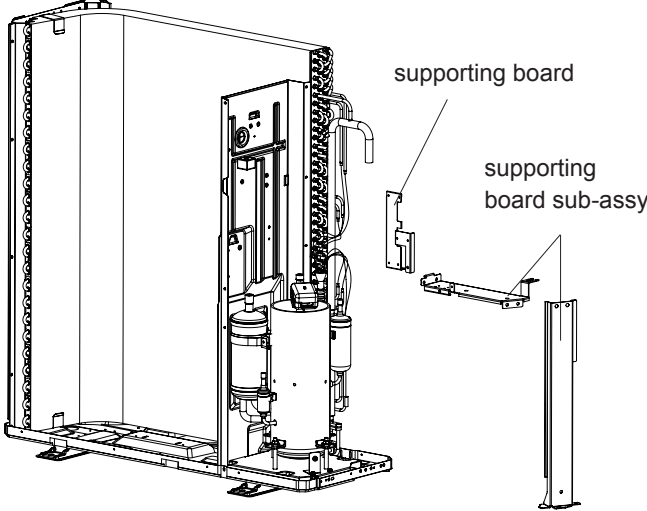
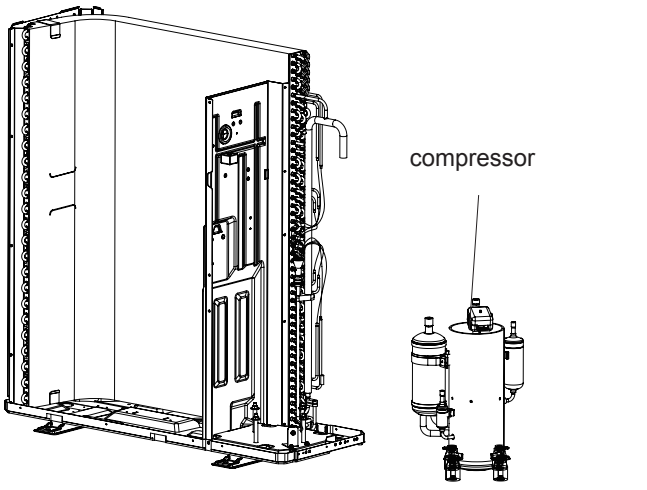
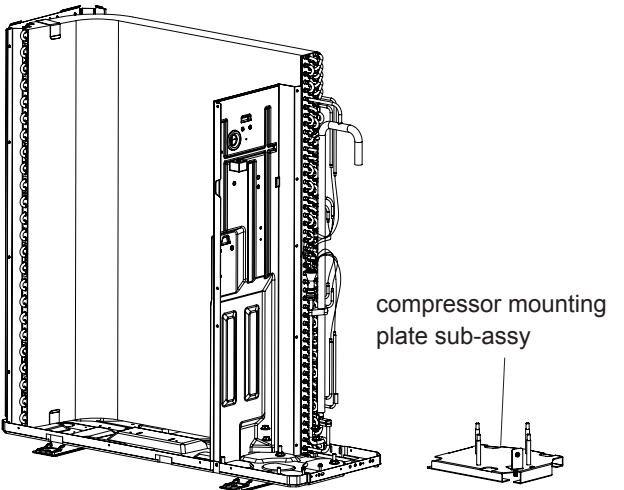
Steps	Procedure
<p>1. Remove the handle and valve cover</p>	<p>Remove the screws connecting the handle with right side plate and then remove the handle and valve cover.</p>  <p>Labels: handle, valve cover</p>
<p>2. Remove top cover</p>	<p>Remove the screws connecting the top cover with outer case, right side plate and left side plate; lift the top cover upwards to remove it.</p>  <p>Label: top cover</p>
<p>3. Remove front side plate</p>	<p>Remove the screws connecting the front side plate with chassis and middle isolation sheet, and then remove the front side plate</p>  <p>Label: front side plate</p>

Steps	Procedure
<p>5.Remove right side plate</p>	<p>Remove the screws connecting the right side plate with electric box assy, valve support, chassis and condenser side plate, and then remove the right side plate.</p> 
<p>6.Remove grille and cabinet</p>	<p>Remove the 4 screws connecting the grille and outer case, and then remove the panel grille.</p> 
<p>7. Remove outer case</p>	<p>Remove screws connecting outer case and motor support, middle isolation sheet and chassis, pull the outer case upwards slightly, loosen clasps between outer case and right side plate, left side plate, and then remove the outer case.</p> 

Steps	Procedure
<p>8. Remove electric box assy</p>	<p>1.Remove the grounding wire screw on the electric box assy and then remove the grounding wire.</p> <p>2.Disconnect the wiring terminals of reactor, compressor, high and low pressure switch, compressor overload protector, temperature sensor, outdoor fan motor and 4-way valve. (See fig 2) Note: keep pressing the circlip when disconnecting the wiring terminal of reactor; keep pressing the retainer when disconnecting other wiring terminals.</p> <p>3.Remove the wire inside the wiring groove.</p> <div style="text-align: right;">  </div>
<p>9. Remove blade, motor, motor support, reactor</p>	<p>1.Remove nuts fixing axial flow blade with wrench, and then remove the axial flow blade.</p> <p>2.Remove 2 screws connecting motor support and chassis, loosen damper block and then remove the motor support.</p> <p>3.Remove 4 screws fixing motor,and then remove the motor</p> <p>4.Remove 4 screws fixing reactor sub-assy and motor support, and then remove the reactor sub-assy.</p> <div style="text-align: right;">  </div>
<p>10 Remove 4-way valve</p>	<p>Unsolder the spot weld between 4-way valve and vapour liquid separator, compressor cut-off valve sub-assy and condenser, and then remove the 4-way valve.</p> <p>Note: When unsoldering the spot weld, wrap the 4-way valve with wet cloth completely to avoid damage to valve due to high temperature.</p> <div style="text-align: right;">  </div>

Steps	Procedure	
11. Remove oil separator sub-assy	<p>Unsolder all spot welds oil separator sub-assy and then remove the oil separator sub-assy.</p> <p>Note:When unsoldering the spot weld, wrap the gas valve and liquid valve with wet cloth completely to avoid damage to valve due to high temperature.</p>	 <p>oil separator sub-assy</p>
12. Remove inhalation tube sub-assy	<p>Remove all spot welds inhalation tube sub-assy, and then remove the inhalation tube sub-assy.</p>	 <p>inhalation tube sub-assy</p>
13. Remove electromagnetic valve sub-assy	<p>Remove all spot welds electromagnetic valve sub-assy and then remove the electromagnetic valve sub-assy.</p>	 <p>electromagnetic valve sub-assy</p>

Steps	Procedure
<p>14. Remove connection pipe sub-assy</p>	<p>Remove all spot welds connection pipe sub-assy and then remove the connection pipe sub-assy.</p> 
<p>15. Remove electromagnetic valve sub-assy</p>	<p>Remove all spot welds electromagnetic valve sub-assy and then remove the electromagnetic valve sub-assy.</p> 
<p>16. Remove electric expansion valve sub-assy</p>	<p>Remove all spot welds electric expansion valve sub-assy and then remove the electric expansion valve sub-assy.</p> 

Steps	Procedure
<p>20. Remove supporting board and supporting board sub-assy</p>	<p>Remove the screws connecting the supporting board and supporting board sub-assy and remove the supporting board and supporting board sub-assy.</p>  <p>supporting board supporting board sub-assy</p>
<p>21. Remove compressor</p>	<p>Remove the 3 foot nuts fixing compressor and then lift the compressor upwards to remove the compressor and damping cushion. Note: Keep the ports of discharge pipe and suction pipe from foreign objects.</p>  <p>compressor</p>
<p>22. Remove compressor mounting plate sub-assy</p>	<p>Remove the 4 foot nuts fixing compressor mounting plate sub-assy and chassis, to remove the compressor mounting plate sub-assy.</p>  <p>compressor mounting plate sub-assy</p>

Appendix:

Appendix 1: Reference Sheet of Celsius and Fahrenheit

Conversion formula for Fahrenheit degree and Celsius degree: $T_f = T_c \times 1.8 + 32$

Set temperature

Fahrenheit display temperature (°F)	Fahrenheit (°F)	Celsius (°C)	Fahrenheit display temperature (°F)	Fahrenheit (°F)	Celsius (°C)	Fahrenheit display temperature (°F)	Fahrenheit (°F)	Celsius (°C)
61	60.8	16	69/70	69.8	21	78/79	78.8	26
62/63	62.6	17	71/72	71.6	22	80/81	80.6	27
64/65	64.4	18	73/74	73.4	23	82/83	82.4	28
66/67	66.2	19	75/76	75.2	24	84/85	84.2	29
68	68	20	77	77	25	86	86	30

Ambient temperature

Fahrenheit display temperature (°F)	Fahrenheit (°F)	Celsius (°C)	Fahrenheit display temperature (°F)	Fahrenheit (°F)	Celsius (°C)	Fahrenheit display temperature (°F)	Fahrenheit (°F)	Celsius (°C)
32/33	32	0	55/56	55.4	13	79/80	78.8	26
34/35	33.8	1	57/58	57.2	14	81	80.6	27
36	35.6	2	59/60	59	15	82/83	82.4	28
37/38	37.4	3	61/62	60.8	16	84/85	84.2	29
39/40	39.2	4	63	62.6	17	86/87	86	30
41/42	41	5	64/65	64.4	18	88/89	87.8	31
43/44	42.8	6	66/67	66.2	19	90	89.6	32
45	44.6	7	68/69	68	20	91/92	91.4	33
46/47	46.4	8	70/71	69.8	21	93/94	93.2	34
48/49	48.2	9	72	71.6	22	95/96	95	35
50/51	50	10	73/74	73.4	23	97/98	96.8	36
52/53	51.8	11	75/76	75.2	24	99	98.6	37
54	53.6	12	77/78	77	25			

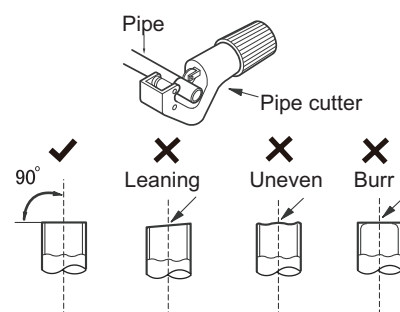
Appendix 2: Pipe Expanding Method

Note:

Improper pipe expanding is the main cause of refrigerant leakage. Please expand the pipe according to the following steps:

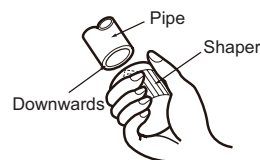
A: Cut the pip

- Confirm the pipe length according to the distance of indoor unit and outdoor unit.
- Cut the required pipe with pipe cutter.



B: Remove the burrs

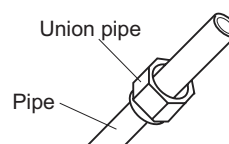
- Remove the burrs with shaper and prevent the burrs from getting into the pipe.



C: Put on suitable insulating pipe

D: Put on the union nut

- Remove the union nut on the indoor connection pipe and outdoor valve; install the union nut on the pipe.



E: Expand the port

- Expand the port with expander.

Appendix 3: List of Resistance for Temperature Sensor

Resistance Table of Ambient Temperature Sensor for Indoor and Outdoor(15K)

Temp(°C)	Resistance(kΩ)	Temp(°C)	Resistance(kΩ)	Temp(°C)	Resistance(kΩ)	Temp(°C)	Resistance(kΩ)
-19	138.1	20	18.75	59	3.848	98	1.071
-18	128.6	21	17.93	60	3.711	99	1.039
-17	121.6	22	17.14	61	3.579	100	1.009
-16	115	23	16.39	62	3.454	101	0.98
-15	108.7	24	15.68	63	3.333	102	0.952
-14	102.9	25	15	64	3.217	103	0.925
-13	97.4	26	14.36	65	3.105	104	0.898
-12	92.22	27	13.74	66	2.998	105	0.873
-11	87.35	28	13.16	67	2.896	106	0.848
-10	82.75	29	12.6	68	2.797	107	0.825
-9	78.43	30	12.07	69	2.702	108	0.802
-8	74.35	31	11.57	70	2.611	109	0.779
-7	70.5	32	11.09	71	2.523	110	0.758
-6	66.88	33	10.63	72	2.439	111	0.737
-5	63.46	34	10.2	73	2.358	112	0.717
-4	60.23	35	9.779	74	2.28	113	0.697
-3	57.18	36	9.382	75	2.206	114	0.678
-2	54.31	37	9.003	76	2.133	115	0.66
-1	51.59	38	8.642	77	2.064	116	0.642
0	49.02	39	8.297	78	1.997	117	0.625
1	46.6	40	7.967	79	1.933	118	0.608
2	44.31	41	7.653	80	1.871	119	0.592
3	42.14	42	7.352	81	1.811	120	0.577
4	40.09	43	7.065	82	1.754	121	0.561
5	38.15	44	6.791	83	1.699	122	0.547
6	36.32	45	6.529	84	1.645	123	0.532
7	34.58	46	6.278	85	1.594	124	0.519
8	32.94	47	6.038	86	1.544	125	0.505
9	31.38	48	5.809	87	1.497	126	0.492
10	29.9	49	5.589	88	1.451	127	0.48
11	28.51	50	5.379	89	1.408	128	0.467
12	27.18	51	5.197	90	1.363	129	0.456
13	25.92	52	4.986	91	1.322	130	0.444
14	24.73	53	4.802	92	1.282	131	0.433
15	23.6	54	4.625	93	1.244	132	0.422
16	22.53	55	4.456	94	1.207	133	0.412
17	21.51	56	4.294	95	1.171	134	0.401
18	20.54	57	4.139	96	1.136	135	0.391
19	19.63	58	3.99	97	1.103	136	0.382

Resistance Table of Tube Temperature Sensors for Indoor and Outdoor (20K)

Temp(°C)	Resistance(kΩ)	Temp(°C)	Resistance(kΩ)	Temp(°C)	Resistance(kΩ)	Temp(°C)	Resistance(kΩ)
-19	181.4	20	25.01	59	5.13	98	1.427
-18	171.4	21	23.9	60	4.948	99	1.386
-17	162.1	22	22.85	61	4.773	100	1.346
-16	153.3	23	21.85	62	4.605	101	1.307
-15	145	24	20.9	63	4.443	102	1.269
-14	137.2	25	20	64	4.289	103	1.233
-13	129.9	26	19.14	65	4.14	104	1.198
-12	123	27	18.13	66	3.998	105	1.164
-11	116.5	28	17.55	67	3.861	106	1.131
-10	110.3	29	16.8	68	3.729	107	1.099
-9	104.6	30	16.1	69	3.603	108	1.069
-8	99.13	31	15.43	70	3.481	109	1.039
-7	94	32	14.79	71	3.364	110	1.01
-6	89.17	33	14.18	72	3.252	111	0.983
-5	84.61	34	13.59	73	3.144	112	0.956
-4	80.31	35	13.04	74	3.04	113	0.93
-3	76.24	36	12.51	75	2.94	114	0.904
-2	72.41	37	12	76	2.844	115	0.88
-1	68.79	38	11.52	77	2.752	116	0.856
0	65.37	39	11.06	78	2.663	117	0.833
1	62.13	40	10.62	79	2.577	118	0.811
2	59.08	41	10.2	80	2.495	119	0.77
3	56.19	42	9.803	81	2.415	120	0.769
4	53.46	43	9.42	82	2.339	121	0.746
5	50.87	44	9.054	83	2.265	122	0.729
6	48.42	45	8.705	84	2.194	123	0.71
7	46.11	46	8.37	85	2.125	124	0.692
8	43.92	47	8.051	86	2.059	125	0.674
9	41.84	48	7.745	87	1.996	126	0.658
10	39.87	49	7.453	88	1.934	127	0.64
11	38.01	50	7.173	89	1.875	128	0.623
12	36.24	51	6.905	90	1.818	129	0.607
13	34.57	52	6.648	91	1.736	130	0.592
14	32.98	53	6.403	92	1.71	131	0.577
15	31.47	54	6.167	93	1.658	132	0.563
16	30.04	55	5.942	94	1.609	133	0.549
17	28.68	56	5.726	95	1.561	134	0.535
18	27.39	57	5.519	96	1.515	135	0.521
19	26.17	58	5.32	97	1.47	136	0.509

Resistance Table of Discharge Temperature Sensor for Outdoor(50K)

Temp(°C)	Resistance(kΩ)	Temp(°C)	Resistance(kΩ)	Temp(°C)	Resistance(kΩ)	Temp(°C)	Resistance(kΩ)
-29	853.5	10	98	49	18.34	88	4.75
-28	799.8	11	93.42	50	17.65	89	4.61
-27	750	12	89.07	51	16.99	90	4.47
-26	703.8	13	84.95	52	16.36	91	4.33
-25	660.8	14	81.05	53	15.75	92	4.20
-24	620.8	15	77.35	54	15.17	93	4.08
-23	580.6	16	73.83	55	14.62	94	3.96
-22	548.9	17	70.5	56	14.09	95	3.84
-21	516.6	18	67.34	57	13.58	96	3.73
-20	486.5	19	64.33	58	13.09	97	3.62
-19	458.3	20	61.48	59	12.62	98	3.51
-18	432	21	58.77	60	12.17	99	3.41
-17	407.4	22	56.19	61	11.74	100	3.32
-16	384.5	23	53.74	62	11.32	101	3.22
-15	362.9	24	51.41	63	10.93	102	3.13
-14	342.8	25	49.19	64	10.54	103	3.04
-13	323.9	26	47.08	65	10.18	104	2.96
-12	306.2	27	45.07	66	9.83	105	2.87
-11	289.6	28	43.16	67	9.49	106	2.79
-10	274	29	41.34	68	9.17	107	2.72
-9	259.3	30	39.61	69	8.85	108	2.64
-8	245.6	31	37.96	70	8.56	109	2.57
-7	232.6	32	36.38	71	8.27	110	2.50
-6	220.5	33	34.88	72	7.99	111	2.43
-5	209	34	33.45	73	7.73	112	2.37
-4	198.3	35	32.09	74	7.47	113	2.30
-3	199.1	36	30.79	75	7.22	114	2.24
-2	178.5	37	29.54	76	7.00	115	2.18
-1	169.5	38	28.36	77	6.76	116	2.12
0	161	39	27.23	78	6.54	117	2.07
1	153	40	26.15	79	6.33	118	2.02
2	145.4	41	25.11	80	6.13	119	1.96
3	138.3	42	24.13	81	5.93	120	1.91
4	131.5	43	23.19	82	5.75	121	1.86
5	125.1	44	22.29	83	5.57	122	1.82
6	119.1	45	21.43	84	5.39	123	1.77
7	113.4	46	20.6	85	5.22	124	1.73
8	108	47	19.81	86	5.06	125	1.68
9	102.8	48	19.06	87	4.90	126	1.64

JF00304116



GREE ELECTRIC APPLIANCES, INC. OF ZHUHAI

Add: West Jinji Rd, Qianshan, Zhuhai, Guangdong, China, 519070
Tel: (+86-756) 8522218
Fax: (+86-756) 8669426
E-mail: gree@gree.com.cn www.gree.com

HONG KONG GREE ELECTRIC APPLIANCES SALES LIMITED

Add: Unit 2612,26/F.,Miramar Tower 132 Nathan Road,TST,Kowloon,HK
Tel: (852) 31658898 Fax: (852) 31651029

For product improvement, specifications and appearance in this manual are subject to change without prior notice.

CAT NO: GREE_MULTIU_SERVICE_18-42MBH_02012022