

SUBMITTAL DATA

MULTIU24HP230V1DO
24000 BTU/H Multi-Zone Heat Pump System

Job Name

Location

Date

Purchaser

Engineer

Submitted to

For

Unit Designation

Schedule No.



MULTIU24HP230V1DO

GENERAL FEATURES

- AHRI Certificate: 203989086 (Non-Ducted)
204630893 (Ducted)
204664396 (Mixed)
- High Efficiency DC Inverter Technology
- Compact and Quiet Design
- Auto Restart on Power Outages
- Multi-point Diagnostics
- Wi-Fi Included (Factory Installed)
- Low Ambient Cooling down to 0°F (Range 0°F to 115°F)
- Low Ambient Heating down to -31°F (Range -31°F to 75°F)
- Coil (Outdoor) Copper Tube/Aluminum Fin with Anti-Corrosion Coil Coating (Gold Colored Fin - 1500Hr Salt Spray Rating)
- Coil (Indoor) Copper Tube/Aluminum Fin with Anti-Corrosion Coil Coating (Blue Colored Fin - 500Hr Salt Spray Rating)

MULTI-ZONE COMPATIBILITY CHART

WALL MOUNT OPTIONS

	MULTI GEN2					MULTI+ ULTRA			
	MULTI18HP230V1E0	MULTI24HP230V1E0	MULTI30HP230V1E0	MULTI36HP230V1E0	MULTI42HP230V1E0	MULTIU18HP230V1D0	MULTIU24HP230V1D0	MULTIU36HP230V1D0	MULTIU42HP230V1D0
LIVO GEN3									
System Model no.									
LIVV09HP230V1AH	•	•	•	•	•	•	•	•	•
LIVV12HP230V1AH	•	•	•	•	•	•	•	•	•
LIVV18HP230V1AH		•	•	•	•		•	•	•
LIVV24HP230V1AH			•	•	•			•	•
LIVV30HP230V1AH									
LIVV36HP230V1AH									
LIVO GEN4									
System Model no.									
4LIV05HP230V1AH	•	•	•	•	•				
4LIV07HP230V1AH	•	•	•	•	•				
4LIV09HP230V1AH	•	•	•	•	•	•	•	•	•
4LIV12HP230V1AH	•	•	•	•	•	•	•	•	•
4LIV18HP230V1AH		•	•	•	•		•	•	•
4LIV24HP230V1AH			•	•	•			•	•
4LIV30HP230V1AH									
4LIV36HP230V1AH									
VIREO GEN3									
System Model no.									
3VIR09HP230V1AH & BH ¹	•	•	•	•	•	•	•	•	•
3VIR12HP230V1AH & BH ¹	•	•	•	•	•	•	•	•	•
3VIR18HP230V1AH & BH ¹		•	•	•	•		•	•	•
3VIR24HP230V1AH & BH ¹			•	•	•			•	•
VIREO+ ULTRA									
System Model no.									
VIRU30HP230V1AH									
VIRU36HP230V1AH									
SAPPHIRE									
System Model no.									
SAP09HP230V1AH	•	•	•	•	•	•	•	•	•
SAP12HP230V1AH	•	•	•	•	•	•	•	•	•
SAP18HP230V1AH		•	•	•	•		•	•	•
SAP24HP230V1AH			•	•	•			•	•

¹AH = MATT FINISH; BH = SMOOTH FINISH

ADDITIONAL INDOOR UNIT OPTIONS

	MULTI GEN2					MULTI+ ULTRA			
	MULTI18HP230V1E0	MULTI24HP230V1E0	MULTI30HP230V1E0	MULTI36HP230V1E0	MULTI42HP230V1E0	MULTIU18HP230V1D0	MULTIU24HP230V1D0	MULTIU36HP230V1D0	MULTIU42HP230V1D0
HIGH STATIC CONCEALED SLIM DUCT									
System Model no.									
DUCT09HP230V1BD	•	•	•	•	•	•	•	•	•
DUCT12HP230V1BD	•	•	•	•	•	•	•	•	•
DUCT18HP230V1BD		•	•	•	•		•	•	•
DUCT24HP230V1BD			•	•	•			•	•
CEILING CASSETTE									
System Model no.									
CAS12HP230V1BC	•	•	•	•	•	•	•	•	•
CAS18HP230V1BC		•	•	•	•		•	•	•
CAS24HP230V1BC			•	•	•			•	•
FLOOR / CEILING									
System Model no.									
FLR09HP230V1BF	•	•	•	•	•	•	•	•	•
FLR12HP230V1BF	•	•	•	•	•	•	•	•	•
FLR18HP230V1BF		•	•	•	•		•	•	•
FLR24HP230V1BF			•	•	•			•	•
MINI-CONSOLE									
System Model no.									
CONS09HP230V1AF	•	•	•	•	•	•	•	•	•
CONS12HP230V1AF	•	•	•	•	•	•	•	•	•
CONS18HP230V1AF		•	•	•	•		•	•	•

NOTE: All indoor units listed above are backward compatible with MULTI AO, BO, & CO models and MULTIU BO models. However, 4LIV05HP230V1AH & 4LIV07HP230V1AH are only backward compatible with MULTI CO models.

SPECIFICATIONS, FEATURES & FUNCTION SUMMARY

SPECIFICATIONS		MULTIU24HP230V1D0	
System Type	HEAT PUMP		
Number of Zones	2 - 3		
SYSTEM PERFORMANCE		NON-DUCTED INDOOR UNITS	
Cooling	Min - Max	Btu/h	7500 - 30000
	Capacity @95°F	Btu/h	22000
Heating	Min - Max	Btu/h	7500 - 31000
	Capacity @5°F (Max)	Btu/h	30000
	Capacity @17°F	Btu/h	17900
	Capacity @47°F	W	26000
SEER2	20		
EER2	12		
HSPF2	10		
COP @5°F	1.8		
COP @47°F	3.9		
SYSTEM PERFORMANCE		DUCTED INDOOR UNITS	
Cooling	Min - Max	Btu/h	7500 - 31400
	Capacity @95°F	Btu/h	22000
Heating	Min - Max	Btu/h	7500 - 31400
	Capacity @5°F	Btu/h	
	Capacity @17°F	Btu/h	18900
	Capacity @47°F	W	26000
SEER2	14.5		
EER2	8.5		
HSPF2	7.8		
COP @5°F			
COP @47°F	2.9		
SYSTEM PERFORMANCE		MIXED DUCTED AND NON-DUCTED INDOOR UNITS	
Cooling	Min - Max	Btu/h	7000 - 31400
	Capacity @95°F	Btu/h	22000
Heating	Min - Max	Btu/h	7500 - 31400
	Capacity @5°F	Btu/h	
	Capacity @17°F	Btu/h	
	Capacity @47°F	W	26000
SEER2	18.0		
EER2	10.5		
HSPF2	8.6		
COP @5°F			
COP @47°F	3.4		
OUTDOOR UNIT		MULTIU24HP230V1D0	
Cooling Temperature Range	°F	0 - 115	
Heating Temperature Range	°F	-31 - 86	
Refrigerant Type	R410A		
Compressor Type	GREE G-10 / 2 - STAGE INVERTER		
Sound Pressure Level	dB(A)	60	
External Dimensions (W x H x D)	in	38-5/8 x 31-1/8 x 16-13/16	
Package Dimension (W x H x D)	in	42-1/2 x 33-1/8 x 19-1/8	
Net Weight	lbs	174	
Gross Weight	lbs	185	

REFRIGERANT PIPING		
Refrigerant Charge - R410A	oz	95.2
Additional Charge	oz/ft	0.2
Port Size (Liquid - Gas)	port A (in)	1/4 - 3/8
	port B (in)	1/4 - 3/8
	port C (in)	1/4 - 3/8
	port D (in)	
	port E (in)	
Pre-Charge Length	ft	98
Pipe Length (Min - Max)	ft	10 - 230
Pipe Length to furthest Indoor Unit	ft	82
Max. Pipe Elevation	ft	49
ELECTRICAL		
Power Supply	208-230V / 1Ph / 60Hz	
Voltage Range (Min - Max)	VAC	187 - 253
Rated Current - Cooling	A	26
Rated Current - Heating	A	26
MCA	A	23
MOCP	A	40
Suggested Breaker Size	A	25
Main Power Wire Size	AWG	Per Local Code
Interconnecting Wire Size	AWG	14 / 4

FEATURES & FUNCTIONS SUMMARY	MULTIU24HP230V1D0
SYSTEM FEATURES	
Inverter Type	G10
Ultra Low Frequency Torque Control	Yes
Power Factor Correction	Yes
Compressor Type - Inverter	High Efficiency Rotary
Basepan With Electric Heater	Yes
Outdoor Fin Coating (Gold Colored Fin)	Yes
Intelligent Defrosting	Yes
Intelligent Preheating	Yes
Low Voltage Startup	Yes
Memory/Power Failure Recovery	Yes
Self Diagnosis	Yes

ALLOWABLE COMBINATIONS CAPACITIES

MODEL NUMBER	POSSIBLE COMBINATIONS	COOLING CAPACITY (Btu/h)					HEATING CAPACITY (Btu/h)				
		ZONE1	ZONE2	ZONE3	ZONE4	ZONE5	ZONE1	ZONE2	ZONE3	ZONE4	ZONE5
MULTIU24HP230V1DO	9K + 9K	9.000	9.000				9.500	9.500			
MULTIU24HP230V1DO	9K + 12K	9.000	12.000				9.429	12.571			
MULTIU24HP230V1DO	9K + 18K	7.733	15.467				8.000	16.000			
MULTIU24HP230V1DO	12K + 12K	11.600	11.600				12.000	12.000			
MULTIU24HP230V1DO	12K + 18K	9.280	13.920				9.600	14.400			
MULTIU24HP230V1DO	18K + 18K	11.600	11.600				12.000	12.000			
MULTIU24HP230V1DO	9K + 9K + 9K	7.733	7.733	7.733			8.000	8.000	8.000		
MULTIU24HP230V1DO	9K + 9K + 12K	6.960	6.960	9.280			7.200	7.200	9.600		
MULTIU24HP230V1DO	9K + 9K + 18K	5.800	5.800	11.600			6.000	6.000	12.000		
MULTIU24HP230V1DO	9K + 12K + 12K	6.327	8.436	8.436			6.545	8.727	8.727		
MULTIU24HP230V1DO	12K + 12K + 12K	7.733	7.733	7.733			8.000	8.000	8.000		

Outdoor Unit & Possible Indoor Unit Combinations with AHRI Certified Performance

DIMENSIONS

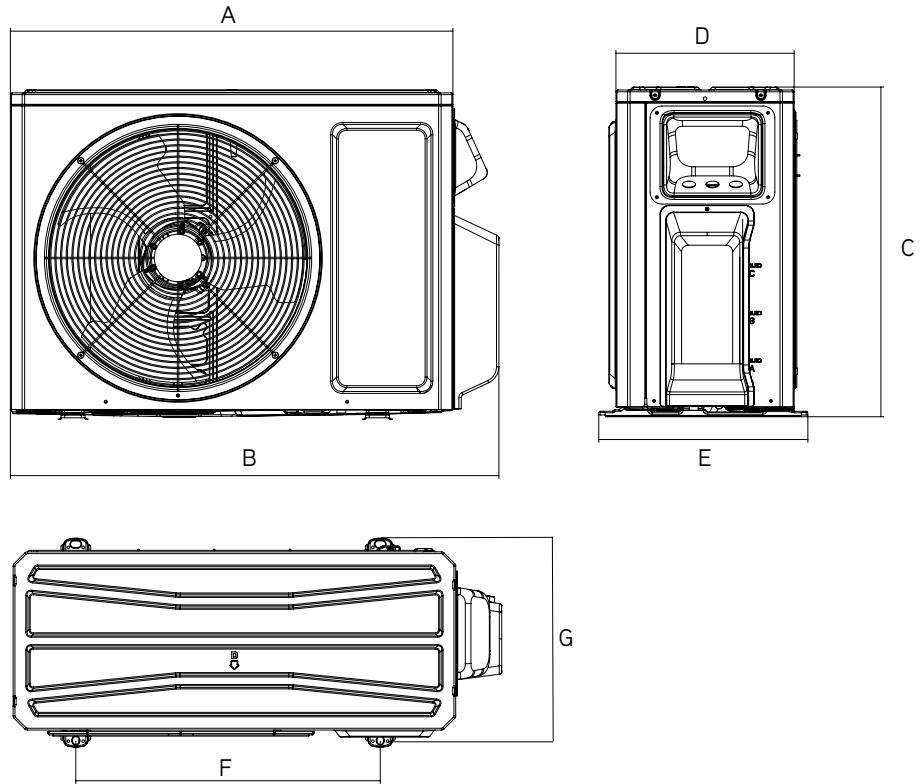
OUTDOOR UNIT

Unit: inch

MULTIU24HP230V1DO

DIMENSIONS

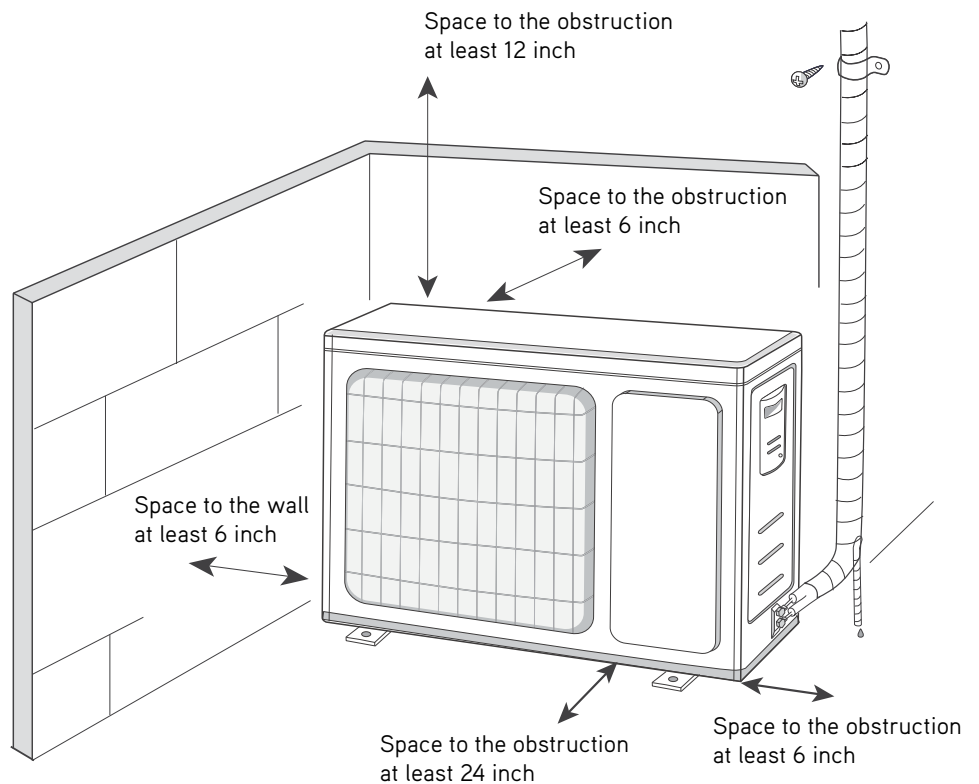
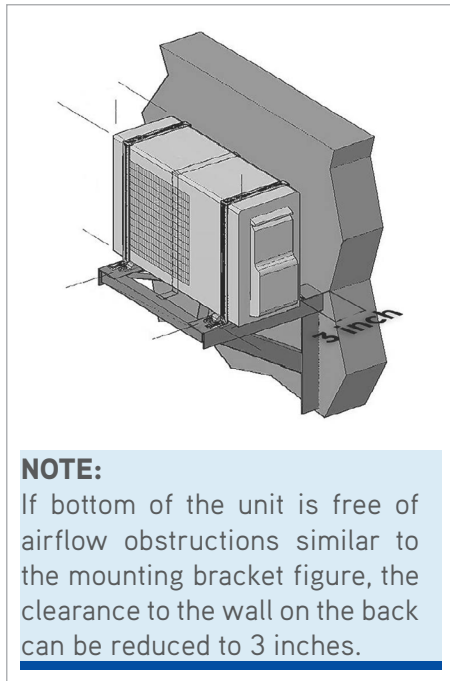
A	36-1/2
B	38-5/8
C	31-1/8
D	14-5/8
E	16-13/16
F	24
G	15-5/8



CLEARANCES

OUTDOOR UNIT

Minimum clearance



Specifications are subject to change without notice. Manufacturer reserves the right to discontinue or modify specifications or designs without notice or without incurring obligations. All Rights reserved.

GREECOMFORT.COM/SYSTEM-DOCUMENTATION