

SUBMITTAL DATA

MULTIU36HP230V1DO
36000 BTU/H Multi-Zone Heat Pump System

Job Name

Location

Date

Purchaser

Engineer

Submitted to

For

Unit Designation

Schedule No.



MULTIU36HP230V1DO

GENERAL FEATURES

- AHRI Certificate: 204288780 (Non-Ducted)
204630894 (Ducted)
204664397 (Mixed)
- High Efficiency DC Inverter Technology
- Compact and Quiet Design
- Auto Restart on Power Outages
- Multi-point Diagnostics
- Wi-Fi Included (Factory Installed)
- Low Ambient Cooling down to 0°F (Range 0°F to 115°F)
- Low Ambient Heating down to -31°F (Range -31°F to 75°F)
- Coil (Outdoor) Copper Tube/Aluminum Fin with Anti-Corrosion Coil Coating (Gold Colored Fin - 1500Hr Salt Spray Rating)
- Coil (Indoor) Copper Tube/Aluminum Fin with Anti-Corrosion Coil Coating (Blue Colored Fin - 500Hr Salt Spray Rating)

MULTI-ZONE COMPATIBILITY CHART

WALL MOUNT OPTIONS

	MULTI GEN2					MULTI+ ULTRA			
	MULTI18HP230VIEO	MULTI24HP230VIEO	MULTI30HP230VIEO	MULTI36HP230VIEO	MULTI42HP230VIEO	MULTIU18HP230VIDO	MULTIU24HP230VIDO	MULTIU36HP230VIDO	MULTIU42HP230VIDO
LIVO GEN3									
System Model no.									
LIVV09HP230V1AH	•	•	•	•	•	•	•	•	•
LIVV12HP230V1AH	•	•	•	•	•	•	•	•	•
LIVV18HP230V1AH		•	•	•	•	•	•	•	•
LIVV24HP230V1AH			•	•	•		•	•	•
LIVV30HP230V1AH									
LIVV36HP230V1AH									
LIVO GEN4									
System Model no.									
4LIV05HP230V1AH	•	•	•	•	•				
4LIV07HP230V1AH	•	•	•	•	•				
4LIV09HP230V1AH	•	•	•	•	•	•	•	•	•
4LIV12HP230V1AH	•	•	•	•	•	•	•	•	•
4LIV18HP230V1AH		•	•	•	•	•	•	•	•
4LIV24HP230V1AH			•	•	•		•	•	•
4LIV30HP230V1AH									
4LIV36HP230V1AH									
VIREO GEN3									
System Model no.									
3VIR09HP230V1AH & BH ¹	•	•	•	•	•	•	•	•	•
3VIR12HP230V1AH & BH ¹	•	•	•	•	•	•	•	•	•
3VIR18HP230V1AH & BH ¹		•	•	•	•	•	•	•	•
3VIR24HP230V1AH & BH ¹			•	•	•		•	•	•
VIREO+ ULTRA									
System Model no.									
VIRU30HP230V1AH									
VIRU36HP230V1AH									
SAPPHIRE									
System Model no.									
SAP09HP230V1AH	•	•	•	•	•	•	•	•	•
SAP12HP230V1AH	•	•	•	•	•	•	•	•	•
SAP18HP230V1AH		•	•	•	•	•	•	•	•
SAP24HP230V1AH			•	•	•		•	•	•

¹AH = MATT FINISH; BH = SMOOTH FINISH

ADDITIONAL INDOOR UNIT OPTIONS

	MULTI GEN2					MULTI+ ULTRA			
	MULTI18HP230VIEO	MULTI24HP230VIEO	MULTI30HP230VIEO	MULTI36HP230VIEO	MULTI42HP230VIEO	MULTIU18HP230VID	MULTIU24HP230VID	MULTIU36HP230VID	MULTIU42HP230VID
HIGH STATIC CONCEALED SLIM DUCT									
System Model no.									
DUCT09HP230V1BD	•	•	•	•	•	•	•	•	•
DUCT12HP230V1BD	•	•	•	•	•	•	•	•	•
DUCT18HP230V1BD		•	•	•	•		•	•	•
DUCT24HP230V1BD			•	•	•			•	•
CEILING CASSETTE									
System Model no.									
CAS12HP230V1BC	•	•	•	•	•	•	•	•	•
CAS18HP230V1BC		•	•	•	•		•	•	•
CAS24HP230V1BC			•	•	•			•	•
FLOOR / CEILING									
System Model no.									
FLR09HP230V1BF	•	•	•	•	•	•	•	•	•
FLR12HP230V1BF	•	•	•	•	•	•	•	•	•
FLR18HP230V1BF		•	•	•	•		•	•	•
FLR24HP230V1BF			•	•	•			•	•
MINI-CONSOLE									
System Model no.									
CONS09HP230V1AF	•	•	•	•	•	•	•	•	•
CONS12HP230V1AF	•	•	•	•	•	•	•	•	•
CONS18HP230V1AF		•	•	•	•		•	•	•

NOTE: All indoor units listed above are backward compatible with MULTI AO, BO, & CO models and MULTIU BO models. However, 4LIV05HP230V1AH & 4LIV07HP230V1AH are only backward compatible with MULTI CO models.

SPECIFICATIONS, FEATURES & FUNCTION SUMMARY

SPECIFICATIONS		MULTIU36HP230V1DO	
System Type	HEAT PUMP		
Number of Zones	2 - 4		
SYSTEM PERFORMANCE		NON-DUCTED INDOOR UNITS	
Cooling	Min - Max	Btu/h	8871 - 40000
	Capacity @95°F	Btu/h	36000
Heating	Min - Max	Btu/h	8871 - 42514
	Capacity @5°F (Max)	Btu/h	28200
	Capacity @17°F	Btu/h	29000
	Capacity @47°F	W	36000
SEER2	16		
EER2	9		
HSPF2	8.6		
COP @5°F	1.8		
COP @47°F	3.5		
SYSTEM PERFORMANCE		DUCTED INDOOR UNITS	
Cooling	Min - Max	Btu/h	8871 - 35826
	Capacity @95°F	Btu/h	36000
Heating	Min - Max	Btu/h	8871 - 44356
	Capacity @5°F	Btu/h	
	Capacity @17°F	Btu/h	29200
	Capacity @47°F	W	36000
SEER2	14.5		
EER2	8.0		
HSPF2	7.6		
COP @5°F			
COP @47°F	3.4		
SYSTEM PERFORMANCE		MIXED DUCTED AND NON-DUCTED INDOOR UNITS	
Cooling	Min - Max	Btu/h	8871 - 35826
	Capacity @95°F	Btu/h	36000
Heating	Min - Max	Btu/h	8871 - 44356
	Capacity @5°F	Btu/h	
	Capacity @17°F	Btu/h	
	Capacity @47°F	W	36000
SEER2	15.0		
EER2	8.3		
HSPF2	8.0		
COP @5°F			
COP @47°F	3.5		
OUTDOOR UNIT		MULTIU36HP230V1DO	
Cooling Temperature Range	°F	0 - 115	
Heating Temperature Range	°F	-31 - 86	
Refrigerant Type	R410A		
Compressor Type	GREE G-10 / 2 - STAGE INVERTER		
Sound Pressure Level	dB(A)	60	
External Dimensions (W x H x D)	in	42-13/16 x 43-7/16 x 17-5/16	
Package Dimension (W x H x D)	in	45-1/2 x 45-1/2 x 18-7/8	
Net Weight	lbs	280	
Gross Weight	lbs	298	

REFRIGERANT PIPING		
Refrigerant Charge - R410A	oz	158.7
Additional Charge	oz/ft	0.2
Port Size (Liquid - Gas)	port A (in)	1/4 - 3/8
	port B (in)	1/4 - 3/8
	port C (in)	1/4 - 3/8
	port D (in)	1/4 - 3/8
	port E (in)	
Pre-Charge Length	ft	131
Pipe Length (Min - Max)	ft	10 - 246
Pipe Length to furthest Indoor Unit	ft	82
Max. Pipe Elevation	ft	49
ELECTRICAL		
Power Supply	208-230V / 1Ph / 60Hz	
Voltage Range (Min - Max)	VAC	187 - 253
Rated Current - Cooling	A	32
Rated Current - Heating	A	32
MCA	A	36
MOCP	A	60
Suggested Breaker Size	A	40
Main Power Wire Size	AWG	Per Local Code
Interconnecting Wire Size	AWG	14 / 4

FEATURES & FUNCTIONS SUMMARY	MULTIU36HP230V1DO
SYSTEM FEATURES	
Inverter Type	G10
Ultra Low Frequency Torque Control	Yes
Power Factor Correction	Yes
Compressor Type - Inverter	High Efficiency Rotary
Basepan With Electric Heater	Yes
Outdoor Fin Coating (Gold Colored Fin)	Yes
Intelligent Defrosting	Yes
Intelligent Preheating	Yes
Low Voltage Startup	Yes
Memory/Power Failure Recovery	Yes
Self Diagnosis	Yes

ALLOWABLE COMBINATIONS CAPACITIES

MODEL NUMBER	POSSIBLE COMBINATIONS	COOLING CAPACITY (Btu/h)					HEATING CAPACITY (Btu/h)				
		ZONE1	ZONE2	ZONE3	ZONE4	ZONE5	ZONE1	ZONE2	ZONE3	ZONE4	ZONE5
MULTIU36HP230V1DO	9K+9K	9,000	9,000				9,500	9,500			
MULTIU36HP230V1DO	9K+12K	9,000	12,000				9,429	12,571			
MULTIU36HP230V1DO	9K+18K	9,000	18,000				9,000	18,000			
MULTIU36HP230V1DO	9K+24K	9,000	24,000				9,000	24,000			
MULTIU36HP230V1DO	12K+12K	12,000	12,000				12,000	12,000			
MULTIU36HP230V1DO	12K+18K	12,000	18,000				12,000	18,000			
MULTIU36HP230V1DO	12K+24K	11,333	22,667				12,000	24,000			
MULTIU36HP230V1DO	18K+18K	17,000	17,000				18,000	18,000			
MULTIU36HP230V1DO	18K+24K	14,571	19,429				15,429	20,571			
MULTIU36HP230V1DO	21K+24K	15,867	18,133				16,800	19,200			
MULTIU36HP230V1DO	24K+24K	17,000	17,000				18,000	18,000			
MULTIU36HP230V1DO	9K+9K+9K	9,000	9,000	9,000			9,000	9,000	9,000		
MULTIU36HP230V1DO	9K+9K+12K	9,000	9,000	12,000			9,000	9,000	12,000		
MULTIU36HP230V1DO	9K+9K+18K	8,500	8,500	17,000			9,000	9,000	18,000		
MULTIU36HP230V1DO	9K+9K+24K	7,286	7,286	19,429			7,714	7,714	20,571		
MULTIU36HP230V1DO	9K+12K+12K	9,000	12,000	12,000			9,000	12,000	12,000		
MULTIU36HP230V1DO	9K+12K+18K	7,846	10,462	15,692			8,308	11,077	16,615		
MULTIU36HP230V1DO	9K+12K+24K	6,800	9,067	18,133			7,200	9,600	19,200		
MULTIU36HP230V1DO	9K+18K+18K	6,800	13,600	13,600			7,200	14,400	14,400		
MULTIU36HP230V1DO	9K+18K+24K	6,000	12,000	16,000			6,353	12,706	16,941		
MULTIU36HP230V1DO	9K+21K+24K	5,667	13,222	15,111			6,000	14,000	16,000		
MULTIU36HP230V1DO	12K+12K+12K	11,333	11,333	11,333			12,000	12,000	12,000		
MULTIU36HP230V1DO	12K+12K+18K	9,714	9,714	14,571			10,286	10,286	15,429		
MULTIU36HP230V1DO	12K+12K+24K	8,500	8,500	17,000			9,000	9,000	18,000		
MULTIU36HP230V1DO	12K+18K+18K	8,500	12,750	12,750			9,000	13,500	13,500		
MULTIU36HP230V1DO	12K+18K+24K	7,556	11,333	15,111			8,000	12,000	16,000		
MULTIU36HP230V1DO	18K+18K+18K	11,333	11,333	11,333			12,000	12,000	12,000		
MULTIU36HP230V1DO	9K+9K+9K+9K	8,500	8,500	8,500	8,500		9,000	9,000	9,000	9,000	
MULTIU36HP230V1DO	9K+9K+9K+12K	7,846	7,846	7,846	10,462		8,308	8,308	8,308	11,077	
MULTIU36HP230V1DO	9K+9K+9K+18K	6,800	6,800	6,800	13,600		7,200	7,200	7,200	14,400	
MULTIU36HP230V1DO	9K+9K+9K+24K	6,000	6,000	6,000	16,000		6,353	6,353	6,353	16,941	
MULTIU36HP230V1DO	9K+9K+12K+12K	7,286	7,286	9,714	9,714		7,714	7,714	10,286	10,286	
MULTIU36HP230V1DO	9K+9K+12K+18K	6,375	6,375	8,500	12,750		6,750	6,750	9,000	13,500	
MULTIU36HP230V1DO	9K+9K+12K+24K	5,667	5,667	7,556	15,111		6,000	6,000	8,000	16,000	
MULTIU36HP230V1DO	9K+9K+18K+18K	5,667	5,667	11,333	11,333		6,000	6,000	12,000	12,000	
MULTIU36HP230V1DO	9K+12K+12K+12K	6,800	9,067	9,067	9,067		7,200	9,600	9,600	9,600	
MULTIU36HP230V1DO	9K+12K+12K+18K	6,000	8,000	8,000	12,000		6,353	8,471	8,471	12,706	
MULTIU36HP230V1DO	12K+12K+12K+12K	8,500	8,500	8,500	8,500		9,000	9,000	9,000	9,000	
MULTIU36HP230V1DO	12K+12K+12K+18K	7,556	7,556	7,556	11,333		8,000	8,000	8,000	12,000	

Outdoor Unit & Possible Indoor Unit Combinations with AHRI Certified Performance

DIMENSIONS

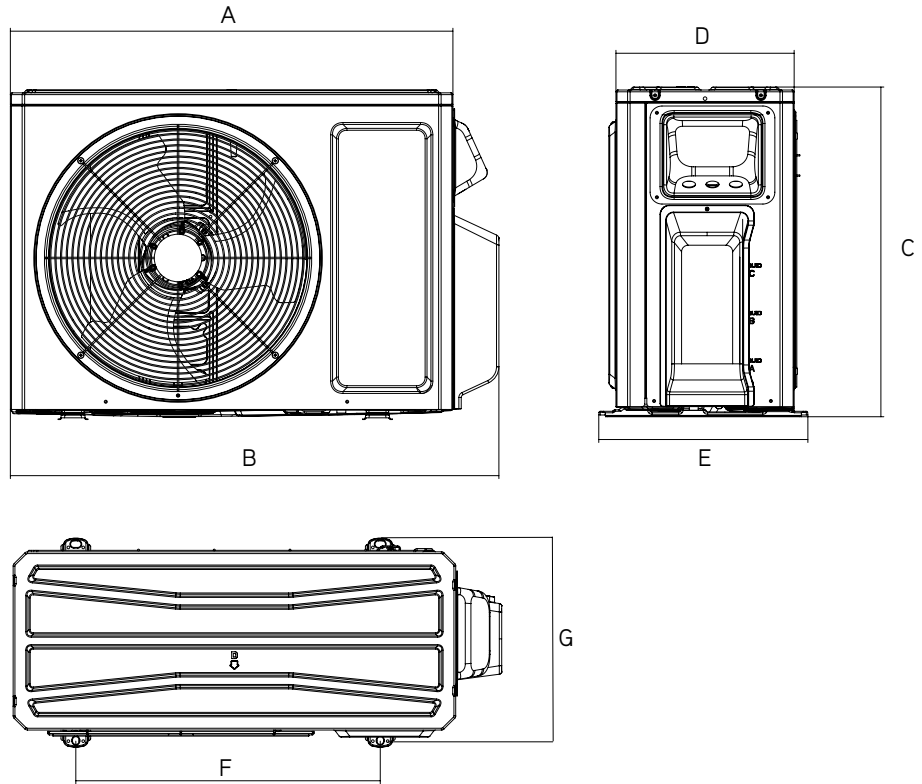
OUTDOOR UNIT

Unit: inch

MULTIU36HP230V1DO

DIMENSIONS

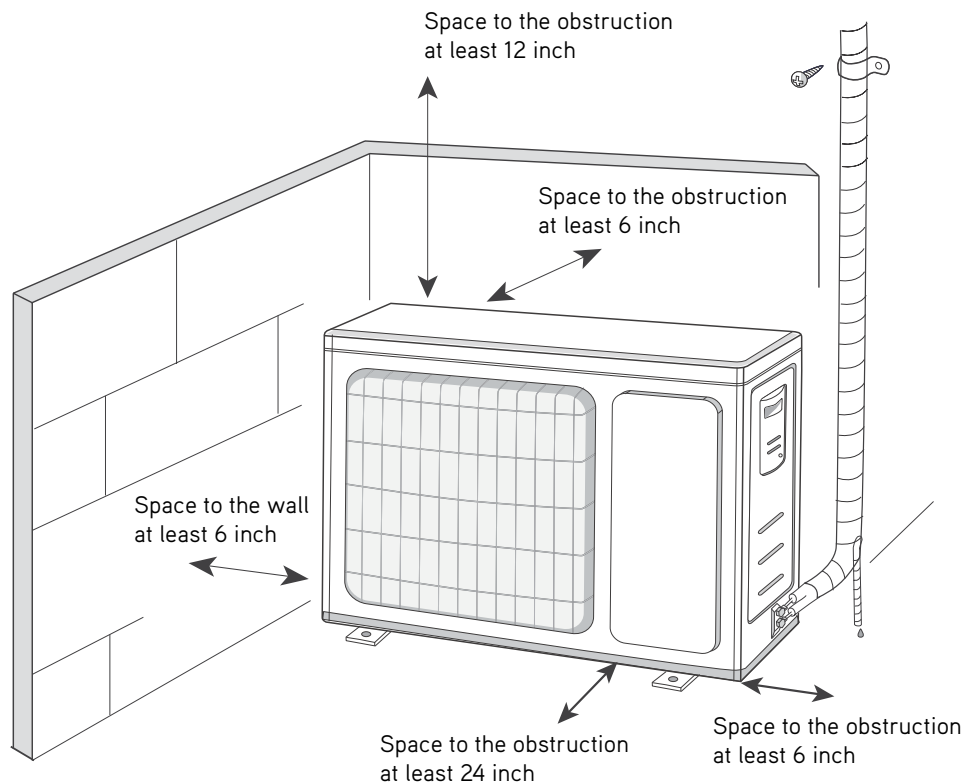
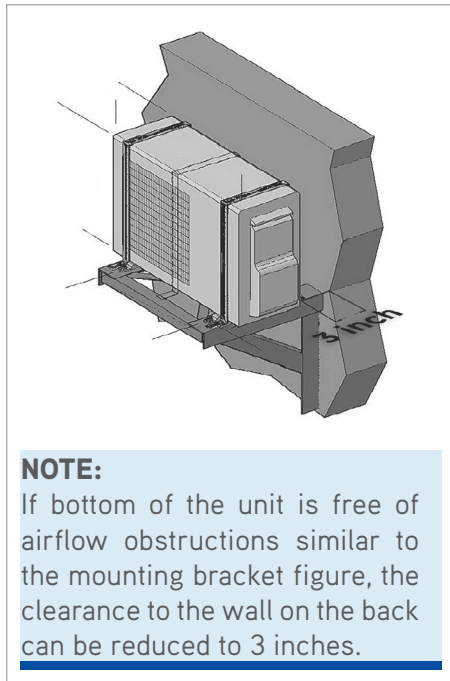
A	40
B	42-13/16
C	43-7/16
D	17-5/16
E	17-5/16
F	24-13/16
G	16-1/2



CLEARANCES

OUTDOOR UNIT

Minimum clearance



Specifications are subject to change without notice. Manufacturer reserves the right to discontinue or modify specifications or designs without notice or without incurring obligations. All Rights reserved.

GREECOMFORT.COM/SYSTEM-DOCUMENTATION