

SUBMITTAL DATA

MUL24HP230V1R32AO
24000 BTU/H Multi-Zone Heat Pump System

Job Name	Location	Date
Purchaser	Engineer	
Submitted to	For	
Unit Designation	Schedule No.	



MUL24HP230V1R32AO

GENERAL FEATURES

- AHRI Certificate: 215218914 (Non-Ducted)
215218919 (Ducted)
215218924 (Mixed)
- High Efficiency DC Inverter Technology
- Compact and Quiet Design
- Auto Restart on Power Outages
- Multi-point Diagnostics
- Wi-Fi Included (Factory Installed)
- Low Ambient Cooling down to -22°F (Range -22°F to 118°F)
- Low Ambient Heating down to -22°F (Range -22°F to 75°F)
- Coil (Indoor and Outdoor) Copper Tube / Aluminum Fin
- Blue Colored Fin - 500 Hrs Salt Spray Tested

MULTI-ZONE COMPATIBILITY CHART

WALL MOUNT OPTIONS

	MULTI-ZONE				
	MUL18HP230V1R32AO	MUL24HP230V1R32AO	MUL30HP230V1R32AO	MUL36HP230V1R32AO	MUL42HP230V1R32AO
LIVO					
System Model no.					
LIV05HP230V1R32AH	•	•	•	•	•
LIV07HP230V1R32AH	•	•	•	•	•
LIV09HP230V1R32AH	•	•	•	•	•
LIV12HP230V1R32AH	•	•	•	•	•
LIV18HP230V1R32AH		•	•	•	•
LIV24HP230V1R32AH			•	•	•
LIV30HP230V1R32AH					
LIV36HP230V1R32AH					
VIREO					
System Model no.					
VIR09HP230V1R32AH	•	•	•	•	•
VIR12HP230V1R32AH	•	•	•	•	•
VIR18HP230V1R32AH		•	•	•	•
VIR24HP230V1R32AH			•	•	•
ENVO					
System Model no.					
ENV09HP230V1R32AH	•	•	•	•	•
ENV12HP230V1R32AH	•	•	•	•	•
ENV18HP230V1R32AH		•	•	•	•
ENV24HP230V1R32AH			•	•	•
SAPPHIRE					
System Model no.					
SAP09HP230V1R32AH	•	•	•	•	•
SAP12HP230V1R32AH	•	•	•	•	•
SAP18HP230V1R32AH		•	•	•	•
SAP24HP230V1R32AH			•	•	•

ADDITIONAL INDOOR UNIT OPTIONS

	MULTI-ZONE				
	MUL18HP230V1R32AO	MUL24HP230V1R32AO	MUL30HP230V1R32AO	MUL36HP230V1R32AO	MUL42HP230V1R32AO
ONE WAY CASSETTE					
System Model no.					
OWC09HP230V1R32AH	•	•	•	•	•
OWC12HP230V1R32AH	•	•	•	•	•
OWC18HP230V1R32AH		•	•	•	•
OWC24HP230V1R32AH			•	•	•
CEILING CASSETTE					
System Model no.					
CAS09HP230V1R32AH	•	•	•	•	•
CAS12HP230V1R32AH	•	•	•	•	•
CAS18HP230V1R32AH		•	•	•	•
CAS24HP230V1R32AH			•	•	•
SLIM DUCT					
System Model no.					
DUC09HP230V1R32AH	•	•	•	•	•
DUC12HP230V1R32AH	•	•	•	•	•
DUC18HP230V1R32AH		•	•	•	•
DUC24HP230V1R32AH			•	•	•
FLOOR/CEILING					
System Model no.					
FLR09HP230V1R32AH	•	•	•	•	•
FLR12HP230V1R32AH	•	•	•	•	•
FLR18HP230V1R32AH		•	•	•	•
FLR24HP230V1R32AH			•	•	•
MINI-CONSOLE					
System Model no.					
CON09HP230V1R32AH	•	•	•	•	•
CON12HP230V1R32AH	•	•	•	•	•
CON18HP230V1R32AH		•	•	•	•

NOTE: R32 Indoor units are only compatible with R32 Outdoor units. Keep in mind, line set is always sized by the indoor unit valve diameter.

SPECIFICATIONS, FEATURES & FUNCTION SUMMARY

SPECIFICATIONS		MUL24HP230V1R32AO	
System Type	HEAT PUMP		
Number of Zones	2 - 3		
SYSTEM PERFORMANCE		NON-DUCTED INDOOR UNITS	
Cooling	Min - Max	Btu/h	7,500 - 31,400
	Capacity @95°F	Btu/h	24,000
Heating	Min - Max	Btu/h	7,500 - 31,400
	Capacity @47°F	Btu/h	24,000
	Capacity @17°F	Btu/h	23,600
	Capacity Max @5°F	Btu/h	21,600
SEER2	21		
EER2	13.3		
HSPF2	10.0		
COP @5°F	2.0		
COP @47°F	3.9		
SYSTEM PERFORMANCE		DUCTED INDOOR UNITS	
Cooling	Min - Max	Btu/h	7,500 - 31,400
	Capacity @95°F	Btu/h	24,000
Heating	Min - Max	Btu/h	7,500 - 31,400
	Capacity @47°F	Btu/h	24,000
	Capacity @17°F	Btu/h	22,000
	Capacity Max @5°F	Btu/h	21,600
SEER2	18.0		
EER2	12.0		
HSPF2	8.0		
COP @5°F	1.86		
SYSTEM PERFORMANCE		MIXED DUCTED AND NON-DUCTED INDOOR UNITS	
Cooling	Min - Max	Btu/h	7,500 - 31,400
	Capacity @95°F	Btu/h	24,000
Heating	Min - Max	Btu/h	7,500 - 31,400
	Capacity @47°F	Btu/h	24,000
	Capacity @17°F	Btu/h	23,000
	Capacity Max @5°F	Btu/h	21,600
SEER2	19.0		
EER2	12.2		
HSPF2	9.0		
COP @5°F	1.8		
OUTDOOR UNIT		MUL24HP230V1R32AO	
Cooling Temperature Range	°F	-22 - 118	
Heating Temperature Range	°F	-22 - 75	
Refrigerant Type	R32		
Compressor Type	GREE G-10 / 2 - STAGE INVERTER		
Sound Pressure Level	dB(A)	58	
External Dimensions (W x H x D)	in	37-61/64 x 25-63/64 x 15-53/64	
Package Dimension (W x H x D)	in	40-5/8 x 29-1/64 x 17-61/64	
Net Weight	lbs	112.5	
Gross Weight	lbs	122.4	

REFRIGERANT PIPING		
Refrigerant Charge - R410A	oz	59.98
Additional Charge	oz/ft	0.2
Port Size (Liquid - Gas)	port A (in)	1/4 - 3/8
	port B (in)	1/4 - 3/8
	port C (in)	1/4 - 3/8
	port D (in)	
	port E (in)	
Pre-Charge Length	ft	98
Pipe Length (Min - Max)	ft	10 - 197
Pipe Length to furthest Indoor Unit	ft	66
Max. Pipe Elevation	ft	49
ELECTRICAL		
Power Supply	208-230V / 1Ph / 60Hz	
Voltage Range (Min - Max)	VAC	187 - 253
Rated Current - Cooling	A	14
Rated Current - Heating	A	14.8
MOCP	A	25
Suggested Breaker Size	A	20
Main Power Wire Size	AWG	Per Local Code
Interconnecting Wire Size	AWG	14 / 4

FEATURES & FUNCTIONS SUMMARY	MUL24HP230V1R32AO
SYSTEM FEATURES	
Inverter Type	G10
Ultra Low Frequency Torque Control	Yes
Power Factor Correction	Yes
Compressor Type - Inverter	High Efficiency Rotary
Basepan With Electric Heater	Yes
Indoor & Outdoor Fin Coating (Blue Fin)	Yes
Intelligent Defrosting	Yes
Intelligent Preheating	Yes
Low Voltage Startup	Yes
Memory/Power Failure Recovery	Yes
Self Diagnosis	Yes

ALLOWABLE COMBINATIONS CAPACITIES

MODEL NUMBER	POSSIBLE COMBINATIONS*	COOLING CAPACITY (Btu/h)					HEATING CAPACITY (Btu/h)				
		ZONE1	ZONE2	ZONE3	ZONE4	ZONE5	ZONE1	ZONE2	ZONE3	ZONE4	ZONE5
MUL24HP230V1R32AO	5K+5K	5,000	5,000				6,000	6,000			
MUL24HP230V1R32AO	7K+7K	7,000	7,000				8,000	8,000			
MUL24HP230V1R32AO	5K+7K	5,000	7,000				6,000	8,000			
MUL24HP230V1R32AO	9K+9K	9,000	9,000				9,000	9,000			
MUL24HP230V1R32AO	9K+12K	7,714	10,286				7,714	10,286			
MUL24HP230V1R32AO	12K+12K	9,000	9,000				9,000	9,000			

Outdoor Unit & Possible Indoor Unit Combinations with AHRI Certified Performance

*You may substitute the 9K unit with a 5K or 7K High Wall unit, find complete capacity information in the extended ratings chart.

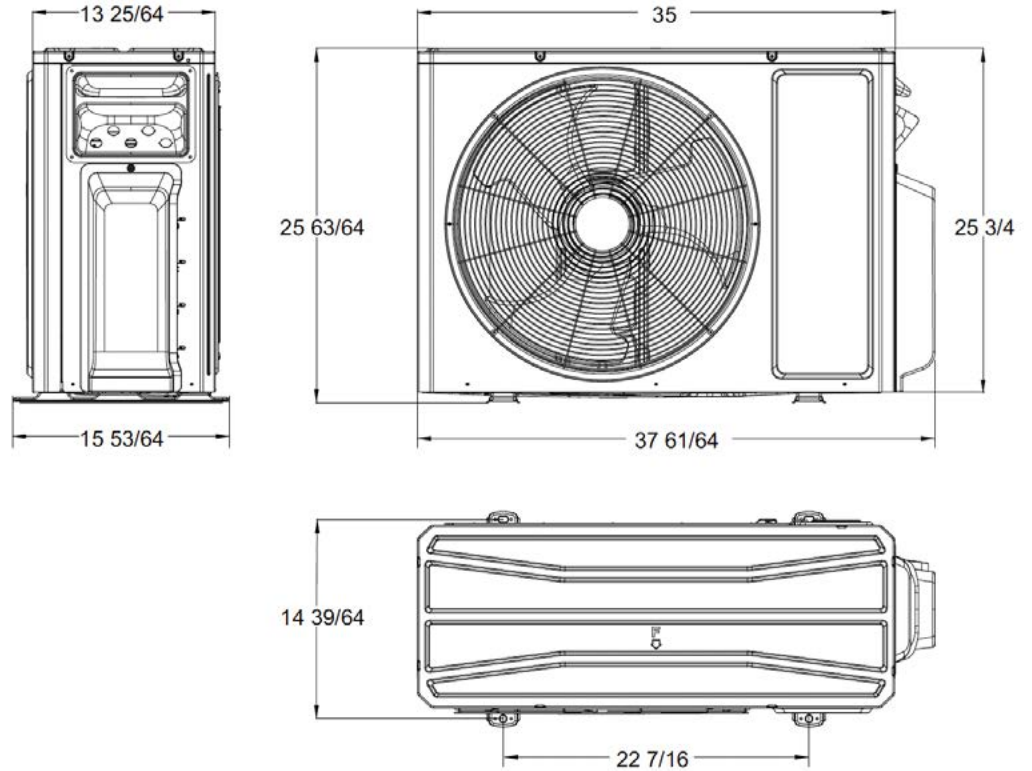
DIMENSIONS

OUTDOOR UNIT

Unit: inch

MUL24HP230V1R32AO

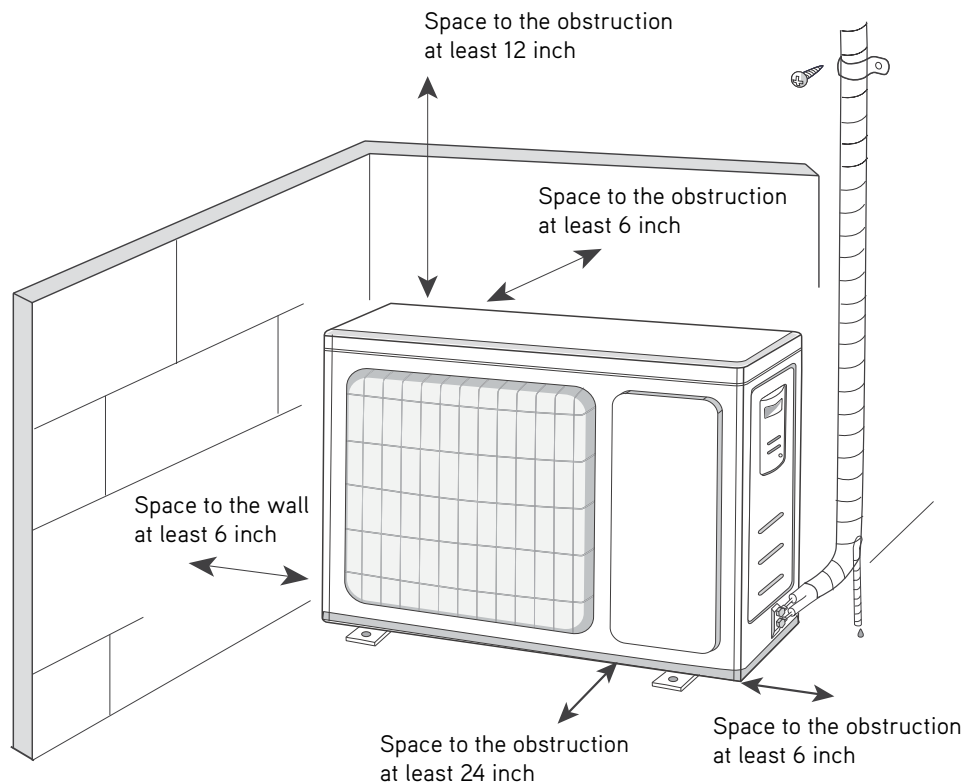
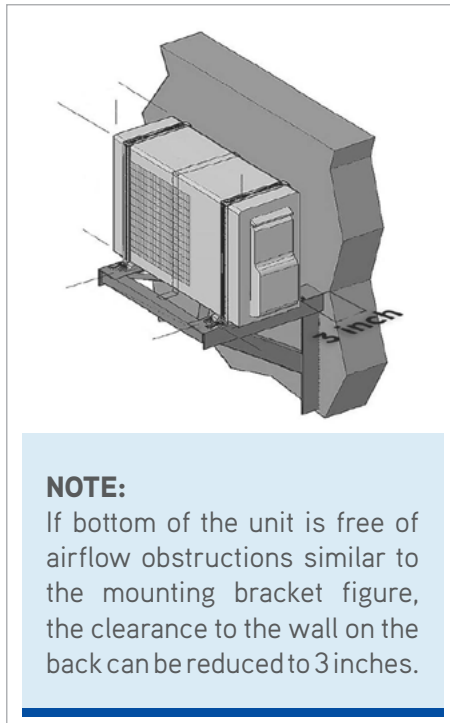
DIMENSIONS



CLEARANCES

OUTDOOR UNIT

Minimum clearance



Specifications are subject to change without notice. Manufacturer reserves the right to discontinue or modify specifications or designs without notice or without incurring obligations. All Rights reserved.

Greecomfort.com/system-documentation