

SUBMITTAL DATA

MUL30HP230V1R32AO
30000 BTU/H Multi-Zone Heat Pump System

Job Name	Location	Date
Purchaser	Engineer	
Submitted to	For	
Unit Designation	Schedule No.	



MUL30HP230V1R32AO

GENERAL FEATURES

- AHRI Certificate: 215218915 (Non-Ducted)
215218920 (Ducted)
215218925 (Mixed)
- High Efficiency DC Inverter Technology
- Compact and Quiet Design
- Auto Restart on Power Outages
- Multi-point Diagnostics
- Wi-Fi Included (Factory Installed)
- Low Ambient Cooling down to -22°F (Range -22°F to 118°F)
- Low Ambient Heating down to -22°F (Range -22°F to 75°F)
- Coil (Indoor and Outdoor) Copper Tube / Aluminum Fin
- Blue Colored Fin - 500 Hrs Salt Spray Tested

MULTI-ZONE COMPATIBILITY CHART

WALL MOUNT OPTIONS

	MULTI-ZONE				
	MUL18HP230V1R32AO	MUL24HP230V1R32AO	MUL30HP230V1R32AO	MUL36HP230V1R32AO	MUL42HP230V1R32AO
LIVO					
System Model no.					
LIV05HP230V1R32AH	•	•	•	•	•
LIV07HP230V1R32AH	•	•	•	•	•
LIV09HP230V1R32AH	•	•	•	•	•
LIV12HP230V1R32AH	•	•	•	•	•
LIV18HP230V1R32AH		•	•	•	•
LIV24HP230V1R32AH			•	•	•
LIV30HP230V1R32AH					
LIV36HP230V1R32AH					
VIREO					
System Model no.					
VIR09HP230V1R32AH	•	•	•	•	•
VIR12HP230V1R32AH	•	•	•	•	•
VIR18HP230V1R32AH		•	•	•	•
VIR24HP230V1R32AH			•	•	•
ENVO					
System Model no.					
ENV09HP230V1R32AH	•	•	•	•	•
ENV12HP230V1R32AH	•	•	•	•	•
ENV18HP230V1R32AH		•	•	•	•
ENV24HP230V1R32AH			•	•	•
SAPPHIRE					
System Model no.					
SAP09HP230V1R32AH	•	•	•	•	•
SAP12HP230V1R32AH	•	•	•	•	•
SAP18HP230V1R32AH		•	•	•	•
SAP24HP230V1R32AH			•	•	•

ADDITIONAL INDOOR UNIT OPTIONS

	MULTI-ZONE				
	MUL18HP230V1R32AO	MUL24HP230V1R32AO	MUL30HP230V1R32AO	MUL36HP230V1R32AO	MUL42HP230V1R32AO
ONE WAY CASSETTE					
System Model no.					
OWC09HP230V1R32AH	•	•	•	•	•
OWC12HP230V1R32AH	•	•	•	•	•
OWC18HP230V1R32AH		•	•	•	•
OWC24HP230V1R32AH			•	•	•
CEILING CASSETTE					
System Model no.					
CAS09HP230V1R32AH	•	•	•	•	•
CAS12HP230V1R32AH	•	•	•	•	•
CAS18HP230V1R32AH		•	•	•	•
CAS24HP230V1R32AH			•	•	•
SLIM DUCT					
System Model no.					
DUC09HP230V1R32AH	•	•	•	•	•
DUC12HP230V1R32AH	•	•	•	•	•
DUC18HP230V1R32AH		•	•	•	•
DUC24HP230V1R32AH			•	•	•
FLOOR/CEILING					
System Model no.					
FLR09HP230V1R32AH	•	•	•	•	•
FLR12HP230V1R32AH	•	•	•	•	•
FLR18HP230V1R32AH		•	•	•	•
FLR24HP230V1R32AH			•	•	•
MINI-CONSOLE					
System Model no.					
CON09HP230V1R32AH	•	•	•	•	•
CON12HP230V1R32AH	•	•	•	•	•
CON18HP230V1R32AH		•	•	•	•

NOTE: R32 Indoor units are only compatible with R32 Outdoor units. Keep in mind, line set is always sized by the indoor unit valve diameter.

SPECIFICATIONS, FEATURES & FUNCTION SUMMARY

SPECIFICATIONS		MUL30HP230V1R32AO	
System Type	HEAT PUMP		
Number of Zones	2 - 4		
SYSTEM PERFORMANCE		NON-DUCTED INDOOR UNITS	
Cooling	Min - Max	Btu/h	8,190 - 34,100
	Capacity @95°F	Btu/h	28,400
Heating	Min - Max	Btu/h	8,190 - 40,900
	Capacity @47°F	Btu/h	30,000
	Capacity @17°F	Btu/h	28,000
	Capacity Max @5°F	Btu/h	27,000
SEER2	21		
EER2	13.6		
HSPF2	10.0		
COP @5°F	2.07		
COP @47°F	4.19		
SYSTEM PERFORMANCE		DUCTED INDOOR UNITS	
Cooling	Min - Max	Btu/h	8,190 - 34,100
	Capacity @95°F	Btu/h	28,400
Heating	Min - Max	Btu/h	8,190 - 40,900
	Capacity @47°F	Btu/h	30,000
	Capacity @17°F	Btu/h	27,200
	Capacity Max @5°F	Btu/h	26,000
SEER2	18.0		
EER2	12.0		
HSPF2	8.0		
COP @5°F	1.88		
SYSTEM PERFORMANCE		MIXED DUCTED AND NON-DUCTED INDOOR UNITS	
Cooling	Min - Max	Btu/h	8,190 - 34,100
	Capacity @95°F	Btu/h	28,400
Heating	Min - Max	Btu/h	8,190 - 40,900
	Capacity @47°F	Btu/h	30,000
	Capacity @17°F	Btu/h	27,600
	Capacity Max @5°F	Btu/h	26,400
SEER2	19.0		
EER2	12.2		
HSPF2	9.0		
COP @5°F	1.8		
OUTDOOR UNIT		MUL30HP230V1R32AO	
Cooling Temperature Range	°F	-22 - 118	
Heating Temperature Range	°F	-22 - 75	
Refrigerant Type	R32		
Compressor Type	GREE G-10 / 2 - STAGE INVERTER		
Sound Pressure Level	dB(A)	62	
External Dimensions (W x H x D)	in	40-10/64 x 32-33/64 x 16-52/64	
Package Dimension (W x H x D)	in	43-1/32 x 34-27/32 x 19-9/16	
Net Weight	lbs	145.5	
Gross Weight	lbs	161.0	

REFRIGERANT PIPING		
Refrigerant Charge - R410A	oz	77.62
Additional Charge	oz/ft	0.2
Port Size (Liquid - Gas)	port A (in)	1/4 - 3/8
	port B (in)	1/4 - 3/8
	port C (in)	1/4 - 3/8
	port D (in)	1/4 - 3/8
	port E (in)	1/4 - 3/8
Pre-Charge Length	ft	131
Pipe Length (Min - Max)	ft	10 - 263
Pipe Length to furthest Indoor Unit	ft	82
Max. Pipe Elevation	ft	82
ELECTRICAL		
Power Supply	208-230V / 1Ph / 60Hz	
Voltage Range (Min - Max)	VAC	187 - 253
Rated Current - Cooling	A	20
Rated Current - Heating	A	21.7
MOCP	A	35
Suggested Breaker Size	A	25
Main Power Wire Size	AWG	Per Local Code
Interconnecting Wire Size	AWG	14 / 4

FEATURES & FUNCTIONS SUMMARY	MUL30HP230V1R32AO
SYSTEM FEATURES	
Inverter Type	G10
Ultra Low Frequency Torque Control	Yes
Power Factor Correction	Yes
Compressor Type - Inverter	High Efficiency Rotary
Basepan With Electric Heater	Yes
Indoor & Outdoor Fin Coating (Blue Fin)	Yes
Intelligent Defrosting	Yes
Intelligent Preheating	Yes
Low Voltage Startup	Yes
Memory/Power Failure Recovery	Yes
Self Diagnosis	Yes

ALLOWABLE COMBINATIONS CAPACITIES

MODEL NUMBER	POSSIBLE COMBINATIONS*	COOLING CAPACITY (Btu/h)					HEATING CAPACITY (Btu/h)				
		ZONE1	ZONE2	ZONE3	ZONE4	ZONE5	ZONE1	ZONE2	ZONE3	ZONE4	ZONE5
MUL30HP230V1R32AO	5K+5K+5K	5,000	5,000	5,000			6,000	6,000	6,000		
MUL30HP230V1R32AO	7K+7K+7K	7,000	7,000	7,000			8,000	8,000	8,000		
MUL30HP230V1R32AO	5K+5K+7K	5,000	5,000	6,000			6,000	6,000	8,000		
MUL30HP230V1R32AO	5K+7K+7K	5,000	7,000	7,000			6,000	8,000	8,000		
MUL30HP230V1R32AO	5K+5K+5K+5K	5,000	5,000	5,000	5,000		6,000	6,000	6,000	6,000	
MUL30HP230V1R32AO	7K+7K+7K+7K	7,000	7,000	7,000	7,000		8,000	8,000	8,000	8,000	
MUL30HP230V1R32AO	5K+5K+5K+7K	5,000	5,000	5,000	7,000		6,000	6,000	6,000	8,000	
MUL30HP230V1R32AO	5K+5K+7K+7K	5,000	5,000	7,000	7,000		6,000	6,000	8,000	8,000	
MUL30HP230V1R32AO	5K+7K+7K+7K	5,000	7,000	7,000	7,000		6,000	8,000	8,000	8,000	
MUL30HP230V1R32AO	9K+9K	9,000	9,000				9,000	9,000			
MUL30HP230V1R32AO	9K+12K	9,000	12,000				9,000	12,000			
MUL30HP230V1R32AO	9K+18K	9,000	18,000				9,000	18,000			
MUL30HP230V1R32AO	9K+24K	7,745	20,655				8,182	21,818			
MUL30HP230V1R32AO	12K+12K	12,000	12,000				12,000	12,000			
MUL30HP230V1R32AO	12K+18K	11,360	17,040				12,000	18,000			
MUL30HP230V1R32AO	12K+24K	9,467	18,933				10,000	20,000			
MUL30HP230V1R32AO	18K+18K	14,200	14,200				15,000	15,000			
MUL30HP230V1R32AO	18K+24K	12,171	16,229				12,857	17,143			
MUL30HP230V1R32AO	9K+9K+9K	9,000	9,000	9,000			9,000	9,000	9,000		
MUL30HP230V1R32AO	9K+9K+12K	8,520	8,520	11,360			9,000	9,000	12,000		
MUL30HP230V1R32AO	9K+9K+18K	7,100	7,100	14,200			7,500	7,500	15,000		
MUL30HP230V1R32AO	9K+9K+24K	6,086	6,086	16,229			6,429	6,429	17,143		
MUL30HP230V1R32AO	9K+12K+12K	7,745	10,327	10,327			8,182	10,909	10,909		
MUL30HP230V1R32AO	9K+12K+18K	6,554	8,738	13,108			6,923	9,231	13,846		
MUL30HP230V1R32AO	9K+12K+24K	5,680	7,573	15,147			6,000	8,000	16,000		
MUL30HP230V1R32AO	9K+18K+18K	5,680	11,360	11,360			6,000	12,000	12,000		
MUL30HP230V1R32AO	12K+12K+12K	9,467	9,467	9,467			10,000	10,000	10,000		
MUL30HP230V1R32AO	12K+12K+18K	8,114	8,114	12,171			8,571	8,571	12,857		
MUL30HP230V1R32AO	9K+9K+9K+9K	7,100	7,100	7,100	7,100		7,500	7,500	7,500	7,500	
MUL30HP230V1R32AO	9K+9K+9K+12K	6,554	6,554	6,554	8,738		6,923	6,923	6,923	9,231	
MUL30HP230V1R32AO	9K+9K+9K+18K	5,680	5,680	5,680	11,360		6,000	6,000	6,000	12,000	
MUL30HP230V1R32AO	9K+9K+12K+12K	6,086	6,086	8,114	8,114		6,429	6,429	8,571	8,571	
MUL30HP230V1R32AO	9K+12K+12K+12K	5,680	7,573	7,573	7,573		6,000	8,000	8,000	8,000	

Outdoor Unit & Possible Indoor Unit Combinations with AHRI Certified Performance

*You may substitute the 9K unit with a 5K or 7K High Wall unit, find complete capacity information in the extended ratings chart.

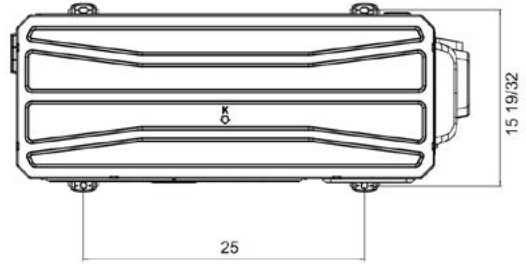
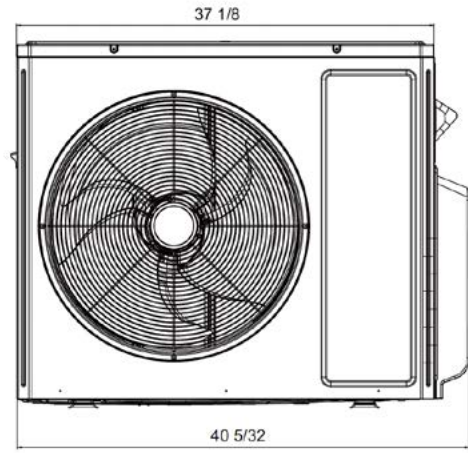
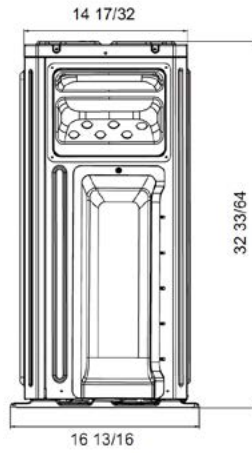
DIMENSIONS

OUTDOOR UNIT

Unit: inch

MUL30HP230V1R32AO

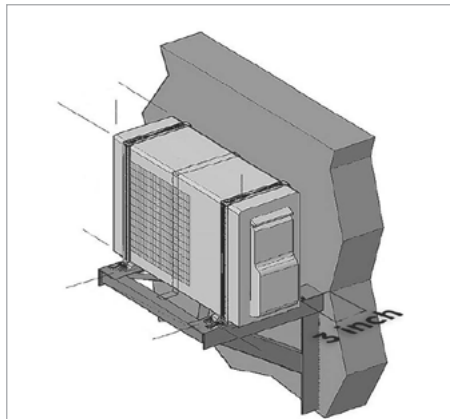
DIMENSIONS



CLEARANCES

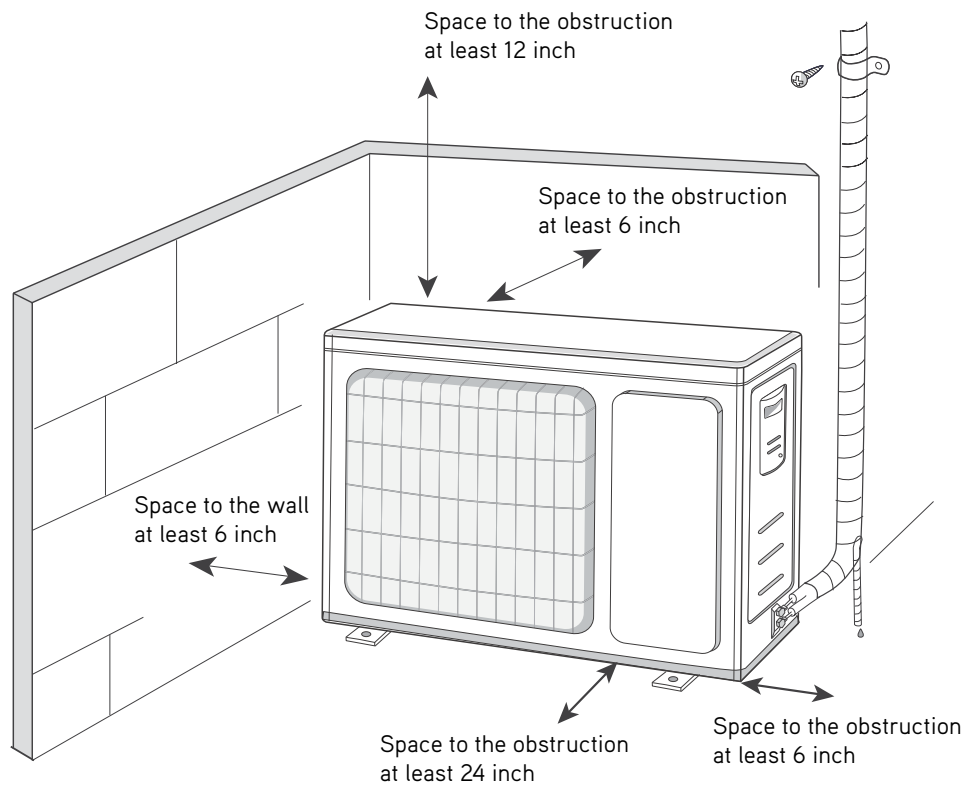
OUTDOOR UNIT

Minimum clearance



NOTE:

If bottom of the unit is free of airflow obstructions similar to the mounting bracket figure, the clearance to the wall on the back can be reduced to 3 inches.



Specifications are subject to change without notice. Manufacturer reserves the right to discontinue or modify specifications or designs without notice or without incurring obligations. All Rights reserved.

GRECOMFORT.COM/SYSTEM-DOCUMENTATION