

SUBMITTAL DATA

MUL42HP230V1R32AO
42000 BTU/H Multi-Zone Heat Pump System

Job Name	Location	Date
Purchaser	Engineer	
Submitted to	For	
Unit Designation	Schedule No.	



MUL42HP230V1R32AO

GENERAL FEATURES

- AHRI Certificate: 215218917 (Non-Ducted)
215218922 (Ducted)
215218927 (Mixed)
- High Efficiency DC Inverter Technology
- Compact and Quiet Design
- Auto Restart on Power Outages
- Multi-point Diagnostics
- Wi-Fi Included (Factory Installed)
- Low Ambient Cooling down to -22°F (Range -22°F to 118°F)
- Low Ambient Heating down to -22°F (Range -22°F to 75°F)
- Coil (Indoor and Outdoor) Copper Tube / Aluminum Fin
- Blue Colored Fin - 500 Hrs Salt Spray Tested

MULTI-ZONE COMPATIBILITY CHART

WALL MOUNT OPTIONS

	MULTI-ZONE				
	MUL18HP230V1R32AO	MUL24HP230V1R32AO	MUL30HP230V1R32AO	MUL36HP230V1R32AO	MUL42HP230V1R32AO
LIVO					
System Model no.					
LIV05HP230V1R32AH	•	•	•	•	•
LIV07HP230V1R32AH	•	•	•	•	•
LIV09HP230V1R32AH	•	•	•	•	•
LIV12HP230V1R32AH	•	•	•	•	•
LIV18HP230V1R32AH		•	•	•	•
LIV24HP230V1R32AH			•	•	•
LIV30HP230V1R32AH					
LIV36HP230V1R32AH					
VIREO					
System Model no.					
VIR09HP230V1R32AH	•	•	•	•	•
VIR12HP230V1R32AH	•	•	•	•	•
VIR18HP230V1R32AH		•	•	•	•
VIR24HP230V1R32AH			•	•	•
ENVO					
System Model no.					
ENV09HP230V1R32AH	•	•	•	•	•
ENV12HP230V1R32AH	•	•	•	•	•
ENV18HP230V1R32AH		•	•	•	•
ENV24HP230V1R32AH			•	•	•
SAPPHIRE					
System Model no.					
SAP09HP230V1R32AH	•	•	•	•	•
SAP12HP230V1R32AH	•	•	•	•	•
SAP18HP230V1R32AH		•	•	•	•
SAP24HP230V1R32AH			•	•	•

ADDITIONAL INDOOR UNIT OPTIONS

	MULTI-ZONE				
	MUL18HP230V1R32AO	MUL24HP230V1R32AO	MUL30HP230V1R32AO	MUL36HP230V1R32AO	MUL42HP230V1R32AO
ONE WAY CASSETTE					
System Model no.					
OWC09HP230V1R32AH	•	•	•	•	•
OWC12HP230V1R32AH	•	•	•	•	•
OWC18HP230V1R32AH		•	•	•	•
OWC24HP230V1R32AH			•	•	•
CEILING CASSETTE					
System Model no.					
CAS09HP230V1R32AH	•	•	•	•	•
CAS12HP230V1R32AH	•	•	•	•	•
CAS18HP230V1R32AH		•	•	•	•
CAS24HP230V1R32AH			•	•	•
SLIM DUCT					
System Model no.					
DUC09HP230V1R32AH	•	•	•	•	•
DUC12HP230V1R32AH	•	•	•	•	•
DUC18HP230V1R32AH		•	•	•	•
DUC24HP230V1R32AH			•	•	•
FLOOR/CEILING					
System Model no.					
FLR09HP230V1R32AH	•	•	•	•	•
FLR12HP230V1R32AH	•	•	•	•	•
FLR18HP230V1R32AH		•	•	•	•
FLR24HP230V1R32AH			•	•	•
MINI-CONSOLE					
System Model no.					
CON09HP230V1R32AH	•	•	•	•	•
CON12HP230V1R32AH	•	•	•	•	•
CON18HP230V1R32AH		•	•	•	•

NOTE: R32 Indoor units are only compatible with R32 Outdoor units. Keep in mind, line set is always sized by the indoor unit valve diameter.

SPECIFICATIONS, FEATURES & FUNCTION SUMMARY

SPECIFICATIONS		MUL42HP230V1R32AO	
System Type	HEAT PUMP		
Number of Zones	2 - 5		
SYSTEM PERFORMANCE		NON-DUCTED INDOOR UNITS	
Cooling	Min - Max	Btu/h	8,870 - 44,300
	Capacity @95°F	Btu/h	42,000
Heating	Min - Max	Btu/h	8,870 - 46,000
	Capacity @47°F	Btu/h	42,000
	Capacity @17°F	Btu/h	40,000
	Capacity Max @5°F	Btu/h	37,800
SEER2	21		
EER2	13.0		
HSPF2	10.0		
COP @5°F	2.1		
COP @47°F	3.9		
SYSTEM PERFORMANCE		DUCTED INDOOR UNITS	
Cooling	Min - Max	Btu/h	8,870 - 40,900
	Capacity @95°F	Btu/h	36,000
Heating	Min - Max	Btu/h	8,870 - 44,300
	Capacity @47°F	Btu/h	36,000
	Capacity @17°F	Btu/h	36,000
	Capacity Max @5°F	Btu/h	33,000
SEER2	18.0		
EER2	11.7		
HSPF2	8.0		
COP @5°F	1.9		
SYSTEM PERFORMANCE		MIXED DUCTED AND NON-DUCTED INDOOR UNITS	
Cooling	Min - Max	Btu/h	8,870 - 44,300
	Capacity @95°F	Btu/h	42,000
Heating	Min - Max	Btu/h	8,870 - 46,000
	Capacity @47°F	Btu/h	42,000
	Capacity @17°F	Btu/h	40,000
	Capacity Max @5°F	Btu/h	37,000
SEER2	19.0		
EER2	12.2		
HSPF2	9.0		
COP @5°F	1.8		
OUTDOOR UNIT		MUL42HP230V1R32AO	
Cooling Temperature Range	°F	-22 - 118	
Heating Temperature Range	°F	-22 - 75	
Refrigerant Type	R32		
Compressor Type	GREE G-10 / 2 - STAGE INVERTER		
Sound Pressure Level	dB(A)	63	
External Dimensions (W x H x D)	in	40-10/64 x 32-33/64 x 16-52/64	
Package Dimension (W x H x D)	in	43-1/32 x 34-27/32 x 19-9/16	
Net Weight	lbs	178.6	
Gross Weight	lbs	191.8	

REFRIGERANT PIPING		
Refrigerant Charge - R410A	oz	95.24
Additional Charge	oz/ft	0.2
Port Size (Liquid - Gas)	port A (in)	1/4 - 3/8
	port B (in)	1/4 - 3/8
	port C (in)	1/4 - 3/8
	port D (in)	1/4 - 3/8
	port E (in)	1/4 - 3/8
Pre-Charge Length	ft	164
Pipe Length (Min - Max)	ft	10 - 328
Pipe Length to furthest Indoor Unit	ft	82
Max. Pipe Elevation	ft	82
ELECTRICAL		
Power Supply	208-230V / 1Ph / 60Hz	
Voltage Range (Min - Max)	VAC	187 - 253
Rated Current - Cooling	A	21.7
Rated Current - Heating	A	22.6
MOCP	A	35
Suggested Breaker Size	A	30
Main Power Wire Size	AWG	Per Local Code
Interconnecting Wire Size	AWG	14 / 4

FEATURES & FUNCTIONS SUMMARY	MUL42HP230V1R32AO
SYSTEM FEATURES	
Inverter Type	G10
Ultra Low Frequency Torque Control	Yes
Power Factor Correction	Yes
Compressor Type - Inverter	High Efficiency Rotary
Basepan With Electric Heater	Yes
Indoor & Outdoor Fin Coating (Blue Fin)	Yes
Intelligent Defrosting	Yes
Intelligent Preheating	Yes
Low Voltage Startup	Yes
Memory/Power Failure Recovery	Yes
Self Diagnosis	Yes

ALLOWABLE COMBINATIONS CAPACITIES

MODEL NUMBER	POSSIBLE COMBINATIONS*	COOLING CAPACITY (Btu/h)					HEATING CAPACITY (Btu/h)				
		ZONE1	ZONE2	ZONE3	ZONE4	ZONE5	ZONE1	ZONE2	ZONE3	ZONE4	ZONE5
MUL42HP230V1R32AO	7K+7K+7K	7,000	7,000	7,000			8,000	8,000	8,000		
MUL42HP230V1R32AO	7K+7K+7K+7K	7,000	7,000	7,000	7,000		8,000	8,000	8,000	8,000	
MUL42HP230V1R32AO	5K+5K+5K+7K	5,000	5,000	5,000	7,000		6,000	6,000	6,000	8,000	
MUL42HP230V1R32AO	5K+5K+7K+7K	5,000	5,000	7,000	7,000		6,000	6,000	8,000	8,000	
MUL42HP230V1R32AO	5K+7K+7K+7K	5,000	7,000	7,000	7,000		6,000	8,000	8,000	8,000	
MUL42HP230V1R32AO	5K+5K+5K+5K+5K	5,000	5,000	5,000	5,000	5,000	6,000	6,000	6,000	6,000	6,000
MUL42HP230V1R32AO	7K+7K+7K+7K+7K	7,000	7,000	7,000	7,000	7,000	8,000	8,000	8,000	8,000	8,000
MUL42HP230V1R32AO	5K+5K+5K+5K+7K	5,000	5,000	5,000	5,000	7,000	6,000	6,000	6,000	6,000	8,000
MUL42HP230V1R32AO	5K+5K+5K+7K+7K	5,000	5,000	5,000	7,000	7,000	6,000	6,000	6,000	8,000	8,000
MUL42HP230V1R32AO	5K+5K+7K+7K+7K	5,000	5,000	7,000	7,000	7,000	6,000	6,000	8,000	8,000	8,000
MUL42HP230V1R32AO	5K+7K+7K+7K+7K	5,000	7,000	7,000	7,000	7,000	6,000	8,000	8,000	8,000	8,000
MUL42HP230V1R32AO	9K+12K	9,000	12,000				9,000	12,000			
MUL42HP230V1R32AO	9K+18K	9,000	18,000				9,000	18,000			
MUL42HP230V1R32AO	9K+24K	9,000	24,000				9,000	24,000			
MUL42HP230V1R32AO	12K+12K	12,000	12,000				12,000	12,000			
MUL42HP230V1R32AO	12K+18K	12,000	18,000				12,000	18,000			
MUL42HP230V1R32AO	12K+24K	12,000	24,000				12,000	24,000			
MUL42HP230V1R32AO	18K+18K	18,000	18,000				18,000	18,000			
MUL42HP230V1R32AO	18K+24K	18,000	24,000				18,000	24,000			
MUL42HP230V1R32AO	24K+24K	21,000	21,000				21,000	21,000			
MUL42HP230V1R32AO	9K+9K+9K	9,000	9,000	9,000			9,000	9,000	9,000		
MUL42HP230V1R32AO	9K+9K+12K	9,000	9,000	12,000			9,000	9,000	12,000		
MUL42HP230V1R32AO	9K+9K+18K	9,000	9,000	18,000			9,000	9,000	18,000		
MUL42HP230V1R32AO	9K+9K+24K	9,000	9,000	24,000			9,000	9,000	24,000		
MUL42HP230V1R32AO	9K+12K+12K	9,000	12,000	12,000			9,000	12,000	12,000		
MUL42HP230V1R32AO	9K+12K+18K	9,000	12,000	18,000			9,000	12,000	18,000		
MUL42HP230V1R32AO	9K+12K+24K	8,400	11,200	22,400			8,400	11,200	22,400		
MUL42HP230V1R32AO	9K+18K+18K	8,400	16,800	16,800			8,400	16,800	16,800		
MUL42HP230V1R32AO	9K+18K+24K	7,412	14,824	19,765			7,412	14,824	19,765		
MUL42HP230V1R32AO	9K+24K+24K	6,632	17,684	17,684			6,632	17,684	17,684		
MUL42HP230V1R32AO	12K+12K+12K	12,000	12,000	12,000			12,000	12,000	12,000		
MUL42HP230V1R32AO	12K+12K+18K	12,000	12,000	18,000			12,000	12,000	18,000		
MUL42HP230V1R32AO	12K+12K+24K	10,500	10,500	21,000			10,500	10,500	21,000		
MUL42HP230V1R32AO	12K+18K+18K	10,500	15,750	15,750			10,500	15,750	15,750		
MUL42HP230V1R32AO	12K+18K+24K	9,333	14,000	18,667			9,333	14,000	18,667		
MUL42HP230V1R32AO	12K+24K+24K	8,400	16,800	16,800			8,400	16,800	16,800		
MUL42HP230V1R32AO	18K+18K+18K	14,000	14,000	14,000			14,000	14,000	14,000		
MUL42HP230V1R32AO	18K+18K+24K	12,600	12,600	16,800			12,600	12,600	16,800		
MUL42HP230V1R32AO	9K+9K+9K+9K	9,000	9,000	9,000	9,000		9,000	9,000	9,000	9,000	
MUL42HP230V1R32AO	9K+9K+9K+12K	9,000	9,000	9,000	12,000		9,000	9,000	9,000	12,000	

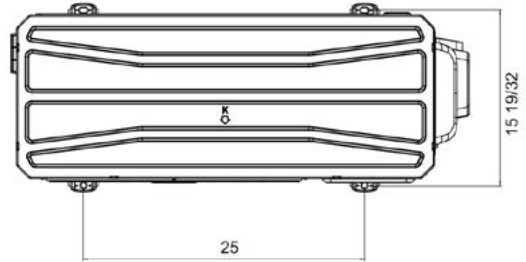
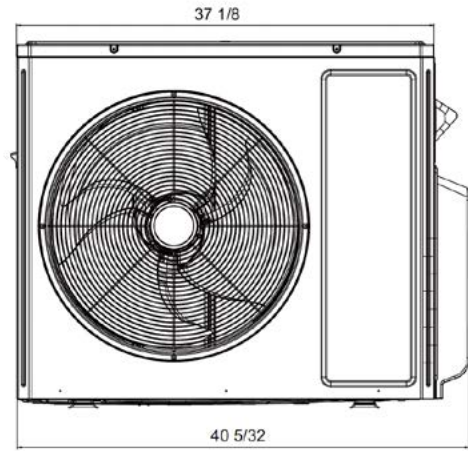
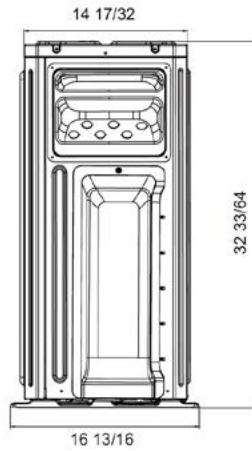
DIMENSIONS

OUTDOOR UNIT

Unit: inch

MUL42HP230V1R32AO

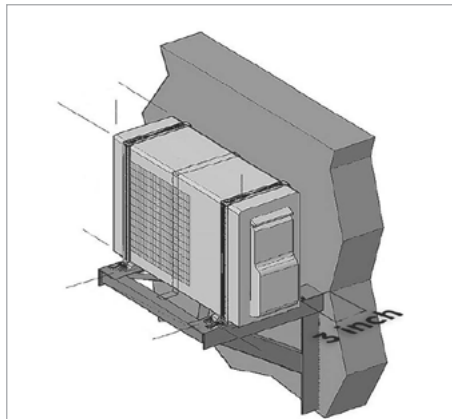
DIMENSIONS



CLEARANCES

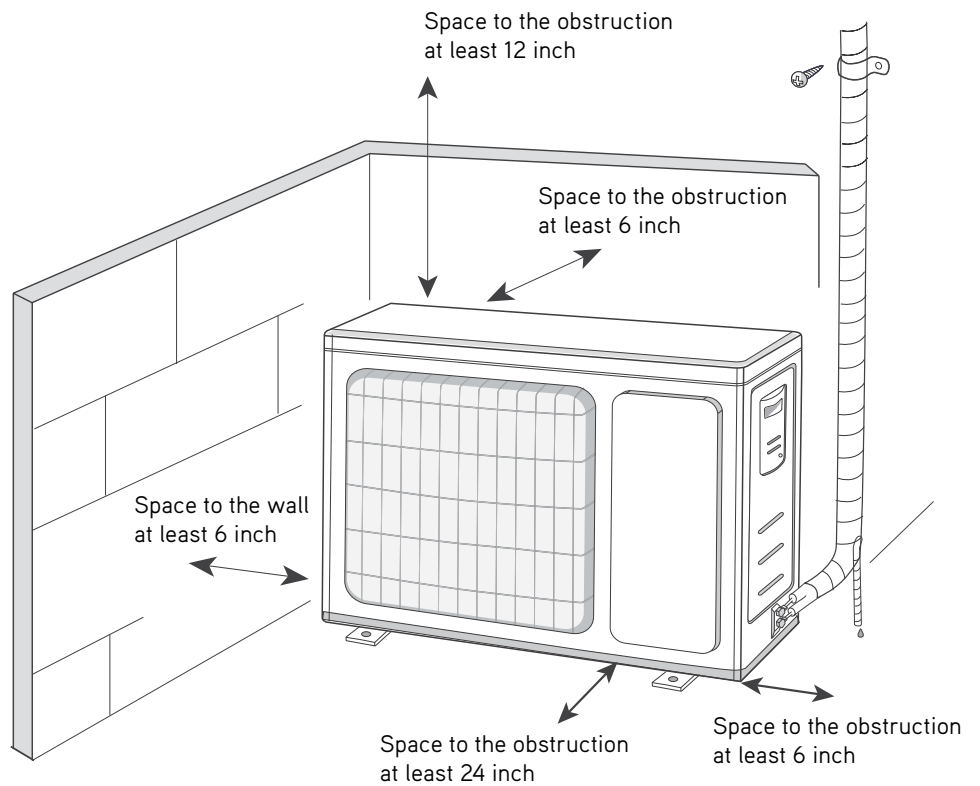
OUTDOOR UNIT

Minimum clearance



NOTE:

If bottom of the unit is free of airflow obstructions similar to the mounting bracket figure, the clearance to the wall on the back can be reduced to 3 inches.



Specifications are subject to change without notice. Manufacturer reserves the right to discontinue or modify specifications or designs without notice or without incurring obligations. All Rights reserved.

GRECOMFORT.COM/SYSTEM-DOCUMENTATION