

SUBMITTAL DATA

MUL48HP230V1R32AO
48000 BTU/H Multi-Zone Heat Pump System

Job Name	Location	Date
Purchaser	Engineer	
Submitted to	For	
Unit Designation	Schedule No.	



MUL48HP230V1R32AO

GENERAL FEATURES

- AHRI Certificate: [217101784 \(Non-Ducted\)](#)
- [217101785 \(Ducted\)](#)
- [217101786 \(Mixed\)](#)
- High Efficiency DC Inverter Technology
- Compact and Quiet Design
- Auto Restart on Power Outages
- Multi-point Diagnostics
- Wi-Fi Included (Factory Installed)
- Low Ambient Cooling down to -22°F (Range -22°F to 118°F)
- Low Ambient Heating down to -22°F (Range -22°F to 75°F)
- Coil (Indoor and Outdoor) Copper Tube / Aluminum Fin
- Blue Colored Fin - 500 Hrs Salt Spray Tested

MULTI-ZONE COMPATIBILITY CHART

WALL MOUNT OPTIONS

	MULTI-ZONE					
	MUL18HP230V1R32AO	MUL24HP230V1R32AO	MUL30HP230V1R32AO	MUL36HP230V1R32AO	MUL42HP230V1R32AO	MUL48HP230V1R32AO
LIVO						
System Model no.						
LIV05HP230V1R32AH	•	•	•	•	•	•
LIV07HP230V1R32AH	•	•	•	•	•	•
LIV09HP230V1R32AH	•	•	•	•	•	•
LIV12HP230V1R32AH	•	•	•	•	•	•
LIV18HP230V1R32AH		•	•	•	•	•
LIV24HP230V1R32AH			•	•	•	•
LIV30HP230V1R32AH						
LIV36HP230V1R32AH						
VIREO						
System Model no.						
VIR09HP230V1R32AH	•	•	•	•	•	•
VIR12HP230V1R32AH	•	•	•	•	•	•
VIR18HP230V1R32AH		•	•	•	•	•
VIR24HP230V1R32AH			•	•	•	•
ENVO						
System Model no.						
ENV09HP230V1R32AH	•	•	•	•	•	•
ENV12HP230V1R32AH	•	•	•	•	•	•
ENV18HP230V1R32AH		•	•	•	•	•
ENV24HP230V1R32AH			•	•	•	•
SAPPHIRE						
System Model no.						
SAP09HP230V1R32AH	•	•	•	•	•	•
SAP12HP230V1R32AH	•	•	•	•	•	•
SAP18HP230V1R32AH		•	•	•	•	•
SAP24HP230V1R32AH			•	•	•	•

ADDITIONAL INDOOR UNIT OPTIONS

	MULTI-ZONE					
	MUL18HP230V1R32AO	MUL24HP230V1R32AO	MUL30HP230V1R32AO	MUL36HP230V1R32AO	MUL42HP230V1R32AO	MUL48HP230V1R32AO
ONE WAY CASSETTE						
System Model no.						
OWC09HP230V1R32AH	•	•	•	•	•	•
OWC12HP230V1R32AH	•	•	•	•	•	•
OWC18HP230V1R32AH		•	•	•	•	•
OWC20HP230V1R32AH			•	•	•	•
CEILING CASSETTE						
System Model no.						
CAS09HP230V1R32AH	•	•	•	•	•	•
CAS12HP230V1R32AH	•	•	•	•	•	•
CAS18HP230V1R32AH		•	•	•	•	•
CAS24HP230V1R32AH			•	•	•	•
SLIM DUCT						
System Model no.						
DUC09HP230V1R32AH	•	•	•	•	•	•
DUC12HP230V1R32AH	•	•	•	•	•	•
DUC18HP230V1R32AH		•	•	•	•	•
DUC24HP230V1R32AH			•	•	•	•
FLOOR/CEILING						
System Model no.						
FLR09HP230V1R32AH	•	•	•	•	•	•
FLR12HP230V1R32AH	•	•	•	•	•	•
FLR18HP230V1R32AH		•	•	•	•	•
FLR24HP230V1R32AH			•	•	•	•
MINI-CONSOLE						
System Model no.						
CON09HP230V1R32AH	•	•	•	•	•	•
CON12HP230V1R32AH	•	•	•	•	•	•
CON18HP230V1R32AH		•	•	•	•	•

NOTE: R32 Indoor units are only compatible with R32 Outdoor units. Keep in mind, line set is always sized by the indoor unit valve diameter.

SPECIFICATIONS, FEATURES & FUNCTION SUMMARY

SYSTEM TYPE		HEAT PUMP		ELECTRICAL		
Outdoor Model		MUL48HP230V1R32AO		Power Supply		208-230V / 1Ph / 60Hz
Number of Zones		2 - 5		Voltage Range (Min - Max)		VAC 187 - 253
SYSTEM PERFORMANCE (Non-Ducted Indoor Units)						
Cooling Capacity	Min - Max	Btu/h	11,765 - 53,799			
	Capacity @95°F	Btu/h	48,000			
Heating Capacity	Min - Max	Btu/h	14,007 - 49,200			
	Capacity @47°F	Btu/h	48,000			
	Capacity @17°F	Btu/h	40,000			
	Capacity Max @5°F	Btu/h	37,800			
SEER2		21		Inverter Type		G20
EER2		12.0		Ultra Low Frequency Torque Control		Yes
HSPF2		10.0		Compressor Type - Inverter		Yes
COP @5°F		2.10		Basepan With Electric Heater		High Efficiency Rotary
SYSTEM PERFORMANCE (Ducted Indoor Units)						
Cooling Capacity	Min - Max	Btu/h	11,765 - 53,799			
	Capacity @95°F	Btu/h	48,000			
Heating Capacity	Min - Max	Btu/h	14,007 - 49,200			
	Capacity @47°F	Btu/h	48,000			
	Capacity @17°F	Btu/h	40,000			
	Capacity Max @5°F	Btu/h	36,000			
SEER2		18.0		Indoor & Outdoor Fin Coating (Blue Fin)		Yes
EER2		11.7		Intelligent Defrosting		Yes
HSPF2		8.1		Intelligent Preheating		Yes
COP @5°F		1.90		Low Voltage Startup		Yes
SYSTEM PERFORMANCE (Mixed Ducted and Non-Ducted Indoor Units)						
Cooling Capacity	Min - Max	Btu/h	11,765 - 53,799			
	Capacity @95°F	Btu/h	48,000			
Heating Capacity	Min - Max	Btu/h	14,007 - 49,200			
	Capacity @47°F	Btu/h	48,000			
	Capacity @17°F	Btu/h	40,000			
	Capacity Max @5°F	Btu/h	37,000			
SEER2		19.0		Memory/Power Failure Recovery		Yes
EER2		11.8		Self Diagnosis		Yes
HSPF2		9.0				
COP @5°F		1.84				
OUTDOOR UNIT		MUL48HP230V1R32AO				
Cooling Temperature Range	°F	-22 - 118				
Heating Temperature Range	°F	-22 - 75				
Refrigerant Type		R32				
Compressor Type		GREE G-20 / Double Cylinder / 1 - STAGE INVERTER				
Sound Pressure Level	dB(A)	63				
External Dimensions (W x H x D)	in	40-10/64 x 32-33/64 x 16-52/64				
Package Dimension (W x H x D)	in	43-1/32 x 34-27/32 x 19-9/16				
Net Weight	lbs	174.2				
Gross Weight	lbs	189.6				
REFRIGERANT PIPING						
Refrigerant Charge - R32	oz	95.256				
Compressor Type		GREE G-20 / Double Cylinder / 1 - STAGE INVERTER				
Additional Charge	oz/ft	0.2				
Port Size (Liquid - Gas)	Port A (in)	1/4 - 3/8				
	Port B (in)	1/4 - 3/8				
	Port C (in)	1/4 - 3/8				
	Port D (in)	1/4 - 3/8				
	Port E (in)	1/4 - 3/8				
Pre-Charge Length	ft	164				
Pipe Length (Min - Max)	ft	10 - 328				
Pipe Length to furthest Indoor Unit	ft	82				
Max. Pipe Elevation	ft	82				

ALLOWABLE COMBINATIONS CAPACITIES

MODEL NUMBER	POSSIBLE COMBINATIONS*	COOLING CAPACITY (Btu/h)					HEATING CAPACITY (Btu/h)				
		ZONE1	ZONE2	ZONE3	ZONE4	ZONE5	ZONE1	ZONE2	ZONE3	ZONE4	ZONE5
MUL48HP230V1R32AO	7K+7K+7K+7K	7,000	7,000	7,000	7,000		8,000	8,000	8,000	8,000	
MUL48HP230V1R32AO	5K+5K+7K+7K	5,000	5,000	7,000	7,000		6,000	6,000	8,000	8,000	
MUL48HP230V1R32AO	5K+7K+7K+7K	5,000	7,000	7,000	7,000		6,000	8,000	8,000	8,000	
MUL48HP230V1R32AO	5K+5K+5K+5K+5K	5,000	5,000	5,000	5,000	5,000	6,000	6,000	6,000	6,000	6,000
MUL48HP230V1R32AO	7K+7K+7K+7K+7K	7,000	7,000	7,000	7,000	7,000	8,000	8,000	8,000	8,000	8,000
MUL48HP230V1R32AO	5K+5K+5K+5K+7K	5,000	5,000	5,000	5,000	7,000	6,000	6,000	6,000	6,000	8,000
MUL48HP230V1R32AO	5K+5K+5K+7K+7K	5,000	5,000	5,000	7,000	7,000	6,000	6,000	6,000	8,000	8,000
MUL48HP230V1R32AO	5K+5K+7K+7K+7K	5,000	5,000	7,000	7,000	7,000	6,000	6,000	8,000	8,000	8,000
MUL48HP230V1R32AO	5K+7K+7K+7K+7K	5,000	7,000	7,000	7,000	7,000	6,000	8,000	8,000	8,000	8,000
MUL48HP230V1R32AO	9K+18K	9,000	18,000				9,000	18,000			
MUL48HP230V1R32AO	9K+24K	9,000	24,000				9,000	24,000			
MUL48HP230V1R32AO	12K+12K	12,000	12,000				12,000	12,000			
MUL48HP230V1R32AO	12K+18K	12,000	18,000				12,000	18,000			
MUL48HP230V1R32AO	12K+24K	12,000	24,000				12,000	24,000			
MUL48HP230V1R32AO	18K+18K	18,000	18,000				18,000	18,000			
MUL48HP230V1R32AO	18K+24K	18,000	24,000				18,000	24,000			
MUL48HP230V1R32AO	24K+24K	24,000	24,000				24,000	24,000			
MUL48HP230V1R32AO	9K+9K+9K	9,000	9,000	9,000			9,000	9,000	9,000		
MUL48HP230V1R32AO	9K+9K+12K	9,000	9,000	12,000			9,000	9,000	12,000		
MUL48HP230V1R32AO	9K+9K+18K	9,000	9,000	18,000			9,000	9,000	18,000		
MUL48HP230V1R32AO	9K+9K+24K	9,000	9,000	24,000			9,000	9,000	24,000		
MUL48HP230V1R32AO	9K+12K+12K	9,000	12,000	12,000			9,000	12,000	12,000		
MUL48HP230V1R32AO	9K+12K+18K	9,000	12,000	18,000			9,000	12,000	18,000		
MUL48HP230V1R32AO	9K+12K+24K	9,000	12,000	24,000			9,000	12,000	24,000		
MUL48HP230V1R32AO	9K+18K+18K	9,000	18,000	18,000			9,000	18,000	18,000		
MUL48HP230V1R32AO	9K+18K+24K	8,470	16,941	22,589			8,470	16,941	22,589		
MUL48HP230V1R32AO	9K+24K+24K	7,580	20,210	20,210			7,580	20,210	20,210		
MUL48HP230V1R32AO	12K+12K+12K	12,000	12,000	12,000			12,000	12,000	12,000		
MUL48HP230V1R32AO	12K+12K+18K	12,000	12,000	18,000			12,000	12,000	18,000		
MUL48HP230V1R32AO	12K+12K+24K	12,000	12,000	24,000			12,000	12,000	24,000		
MUL48HP230V1R32AO	12K+18K+18K	12,000	18,000	18,000			12,000	18,000	18,000		
MUL48HP230V1R32AO	12K+18K+24K	10,666	16,000	21,334			10,666	16,000	21,334		
MUL48HP230V1R32AO	12K+24K+24K	9,600	19,200	19,200			9,600	19,200	19,200		
MUL48HP230V1R32AO	18K+18K+18K	16,000	16,000	16,000			16,000	16,000	16,000		
MUL48HP230V1R32AO	18K+18K+24K	14,400	14,400	19,200			14,400	14,400	19,200		
MUL48HP230V1R32AO	18K+24K+24K	13,090	17,455	17,455			13,090	17,455	17,455		
MUL48HP230V1R32AO	24K+24K+24K	16,000	16,000	16,000			16,000	16,000	16,000		
MUL48HP230V1R32AO	9K+9K+9K+9K	9,000	9,000	9,000	9,000		9,000	9,000	9,000	9,000	
MUL48HP230V1R32AO	9K+9K+9K+12K	9,000	9,000	9,000	12,000		9,000	9,000	9,000	12,000	
MUL48HP230V1R32AO	9K+9K+9K+18K	9,000	9,000	9,000	18,000		9,000	9,000	9,000	18,000	
MUL48HP230V1R32AO	9K+9K+9K+24K	8,470	8,470	8,470	22,590		8,470	8,470	8,470	22,590	
MUL48HP230V1R32AO	9K+9K+12K+12K	9,000	9,000	12,000	12,000		9,000	9,000	12,000	12,000	

MODEL NUMBER	POSSIBLE COMBINATIONS*	COOLING CAPACITY (Btu/h)					HEATING CAPACITY (Btu/h)				
		ZONE1	ZONE2	ZONE3	ZONE4	ZONE5	ZONE1	ZONE2	ZONE3	ZONE4	ZONE5
MUL48HP230V1R32AO	9K+9K+12K+18K	9,000	9,000	12,000	18,000		9,000	9,000	12,000	18,000	
MUL48HP230V1R32AO	9K+9K+12K+24K	8,000	8,000	10,666	21,334		8,000	8,000	10,666	21,334	
MUL48HP230V1R32AO	9K+9K+18K+18K	8,000	8,000	16,000	16,000		8,000	8,000	16,000	16,000	
MUL48HP230V1R32AO	9K+9K+18K+24K	7,200	7,200	14,400	19,200		7,200	7,200	14,400	19,200	
MUL48HP230V1R32AO	9K+12K+12K+12K	9,000	12,000	12,000	12,000		9,000	12,000	12,000	12,000	
MUL48HP230V1R32AO	9K+12K+12K+18K	8,470	11,294	11,294	16,942		8,470	11,294	11,294	16,942	
MUL48HP230V1R32AO	9K+12K+12K+24K	7,580	10,105	10,105	20,210		7,580	10,105	10,105	20,210	
MUL48HP230V1R32AO	9K+12K+18K+18K	7,579	10,105	15,158	15,158		7,579	10,105	15,158	15,158	
MUL48HP230V1R32AO	9K+12K+18K+24K	6,857	9,143	13,715	18,285		6,857	9,143	13,715	18,285	
MUL48HP230V1R32AO	9K+18K+18K+18K	6,858	13,714	13,714	13,714		6,858	13,714	13,714	13,714	
MUL48HP230V1R32AO	12K+12K+12K+12K	12,000	12,000	12,000	12,000		12,000	12,000	12,000	12,000	
MUL48HP230V1R32AO	12K+12K+12K+18K	10,666	10,666	10,666	16,002		10,666	10,666	10,666	16,002	
MUL48HP230V1R32AO	12K+12K+12K+24K	9,600	9,600	9,600	19,200		9,600	9,600	9,600	19,200	
MUL48HP230V1R32AO	12K+12K+18K+18K	9,600	9,600	14,400	14,400		9,600	9,600	14,400	14,400	
MUL48HP230V1R32AO	12K+18K+18K+18K	8,730	13,090	13,090	13,090		8,730	13,090	13,090	13,090	
MUL48HP230V1R32AO	12K+18K+18K+24K	8,000	12,000	12,000	16,000		8,000	12,000	12,000	16,000	
MUL48HP230V1R32AO	18K+18K+18K+18K	12,000	12,000	12,000	12,000		12,000	12,000	12,000	12,000	
MUL48HP230V1R32AO	9K+9K+9K+9K+9K	9,000	9,000	9,000	9,000	9,000	9,000	9,000	9,000	9,000	9,000
MUL48HP230V1R32AO	9K+9K+9K+9K+12K	9,000	9,000	9,000	9,000	12,000	9,000	9,000	9,000	9,000	12,000
MUL48HP230V1R32AO	9K+9K+9K+9K+18K	8,000	8,000	8,000	8,000	16,000	8,000	8,000	8,000	8,000	16,000
MUL48HP230V1R32AO	9K+9K+9K+9K+24K	7,200	7,200	7,200	7,200	19,200	7,200	7,200	7,200	7,200	19,200
MUL48HP230V1R32AO	9K+9K+9K+12K+12K	8,472	8,472	8,472	11,291	11,291	8,472	8,472	8,472	11,291	11,291
MUL48HP230V1R32AO	9K+9K+9K+12K+18K	7,579	7,579	7,579	10,105	15,158	7,579	7,579	7,579	10,105	15,158
MUL48HP230V1R32AO	9K+9K+9K+12K+24K	6,857	6,857	6,857	9,143	18,286	6,857	6,857	6,857	9,143	18,286
MUL48HP230V1R32AO	9K+9K+9K+18K+18K	6,858	6,858	6,858	13,713	13,713	6,858	6,858	6,858	13,713	13,713
MUL48HP230V1R32AO	9K+9K+9K+18K+24K	6,260	6,260	6,260	12,522	16,698	6,260	6,260	6,260	12,522	16,698
MUL48HP230V1R32AO	9K+9K+12K+12K+12K	8,001	8,001	10,666	10,666	10,666	8,001	8,001	10,666	10,666	10,666
MUL48HP230V1R32AO	9K+9K+12K+12K+18K	7,200	7,200	9,600	9,600	14,400	7,200	7,200	9,600	9,600	14,400
MUL48HP230V1R32AO	9K+9K+12K+12K+24K	6,546	6,546	8,727	8,727	17,454	6,546	6,546	8,727	8,727	17,454
MUL48HP230V1R32AO	9K+9K+12K+18K+18K	6,545	6,545	8,728	13,091	13,091	6,545	6,545	8,728	13,091	13,091
MUL48HP230V1R32AO	9K+9K+12K+18K+24K	6,000	6,000	8,000	12,000	16,000	6,000	6,000	8,000	12,000	16,000
MUL48HP230V1R32AO	9K+12K+12K+12K+12K	7,580	10,105	10,105	10,105	10,105	7,580	10,105	10,105	10,105	10,105
MUL48HP230V1R32AO	9K+12K+12K+12K+18K	6,860	9,142	9,142	9,142	13,714	6,860	9,142	9,142	9,142	13,714
MUL48HP230V1R32AO	9K+12K+12K+12K+24K	6,255	8,349	8,349	8,349	16,698	6,255	8,349	8,349	8,349	16,698
MUL48HP230V1R32AO	9K+12K+12K+18K+18K	6,260	8,348	8,348	12,522	12,522	6,260	8,348	8,348	12,522	12,522
MUL48HP230V1R32AO	12K+12K+12K+12K+12K	9,600	9,600	9,600	9,600	9,600	9,600	9,600	9,600	9,600	9,600
MUL48HP230V1R32AO	12K+12K+12K+12K+18K	8,727	8,727	8,727	8,727	13,092	8,727	8,727	8,727	8,727	13,092
MUL48HP230V1R32AO	12K+12K+12K+12K+24K	8,000	8,000	8,000	8,000	16,000	8,000	8,000	8,000	8,000	16,000
MUL48HP230V1R32AO	12K+12K+12K+18K+18K	8,000	8,000	8,000	12,000	12,000	8,000	8,000	8,000	12,000	12,000

Outdoor Unit & Possible Indoor Unit Combinations with AHRI Certified Performance

*You may substitute the 9K unit with a 5K or 7K High Wall unit, find complete capacity information in the extended ratings chart.

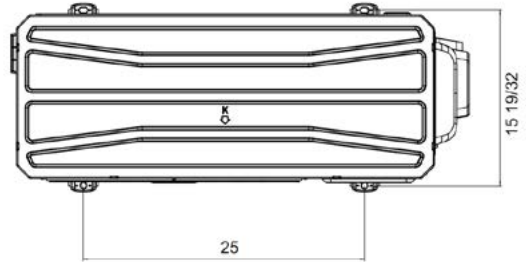
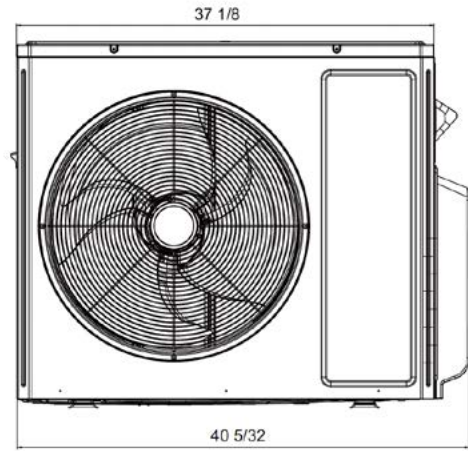
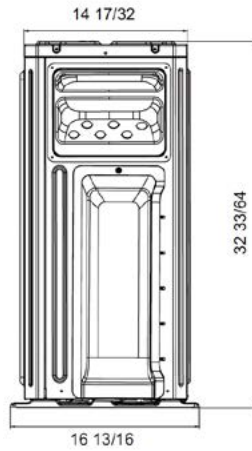
DIMENSIONS

OUTDOOR UNIT

Unit: inch

MUL48HP230V1R32AO

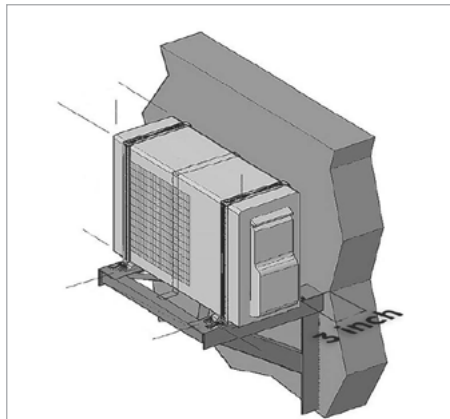
DIMENSIONS



CLEARANCES

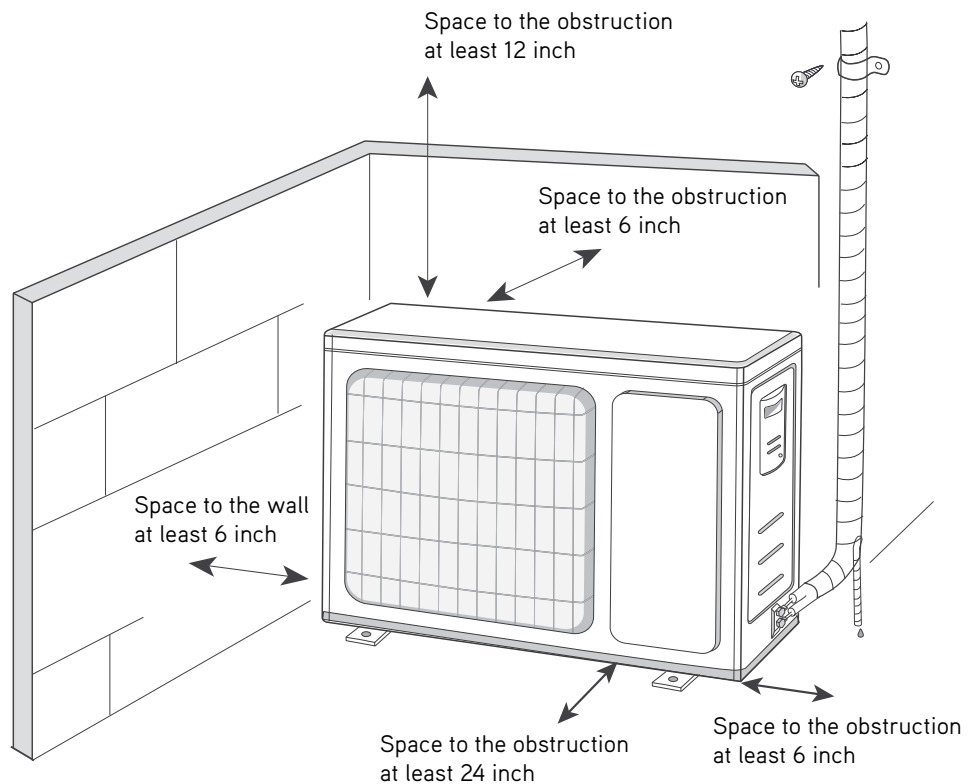
OUTDOOR UNIT

Minimum clearance



NOTE:

If bottom of the unit is free of airflow obstructions similar to the mounting bracket figure, the clearance to the wall on the back can be reduced to 3 inches.



Specifications are subject to change without notice. Manufacturer reserves the right to discontinue or modify specifications or designs without notice or without incurring obligations. All Rights reserved.

GEECOMFORT.COM/SYSTEM-DOCUMENTATION