

SUBMITTAL DATA

MUL60HP230V1R32AO
60000 BTU/H Multi-Zone Heat Pump System

Job Name	Location	Date
Purchaser	Engineer	
Submitted to	For	
Unit Designation	Schedule No.	



MUL60HP230V1R32AO

GENERAL FEATURES

- AHRI Certificate: [217962862 \(Non-Ducted\)](#)
- [218156708 \(Ducted\)](#)
- [218156709 \(Mixed\)](#)
- High Efficiency DC Inverter Technology
- Compact and Quiet Design
- Auto Restart on Power Outages
- Multi-point Diagnostics
- Wi-Fi Included (Factory Installed)
- Low Ambient Cooling down to -22°F (Range -22°F to 118°F)
- Low Ambient Heating down to -22°F (Range -22°F to 75°F)
- Coil (Indoor and Outdoor) Copper Tube / Aluminum Fin
- Blue Colored Fin - 500 Hrs Salt Spray Tested

MULTI-ZONE COMPATIBILITY CHART

WALL MOUNT OPTIONS

MULTI R32								
	MUL18HP230V1R32AO	MUL19HP230V1R32AO	MUL24HP230V1R32AO	MUL30HP230V1R32AO	MUL36HP230V1R32AO	MUL42HP230V1R32AO	MUL60HP230V1R32AO	MUL60HP230V1R32AO
LIVO R32								
System Model no.								
LIV05HP230V1R32AH	•	•	•	•	•	•	•	•
LIV07HP230V1R32AH	•	•	•	•	•	•	•	•
LIV09HP230V1R32AH	•	•	•	•	•	•	•	•
LIV12HP230V1R32AH	•	•	•	•	•	•	•	•
LIV18HP230V1R32AH			•	•	•	•	•	•
LIV24HP230V1R32AH				•	•	•	•	•
LIV30HP230V1R32AH								•
LIV36HP230V1R32AH								•
ZENO R32								
System Model no.								
WZEN09HPJ132AH	•	•						
WZEN12HPJ132AH	•	•						
VIREO R32								
System Model no.								
VIR09HP230V1R32AH	•	•	•	•	•	•	•	•
VIR12HP230V1R32AH	•	•	•	•	•	•	•	•
VIR18HP230V1R32AH			•	•	•	•	•	•
VIR24HP230V1R32AH				•	•	•	•	•
ENVO R32								
System Model no.								
ENV09HP230V1R32AH	•	•	•	•	•	•	•	•
ENV12HP230V1R32AH	•	•	•	•	•	•	•	•
ENV18HP230V1R32AH			•	•	•	•	•	•
ENV24HP230V1R32AH				•	•	•	•	•
SAPPHIRE R32								
System Model no.								
SAP09HP230V1R32AH	•	•	•	•	•	•	•	•
SAP12HP230V1R32AH	•	•	•	•	•	•	•	•
SAP18HP230V1R32AH			•	•	•	•	•	•
SAP24HP230V1R32AH				•	•	•	•	•

NOTE: R32 Indoor units are only compatible with R32 Outdoor units. Keep in mind, line set is always sized by the indoor unit valve diameter.

ADDITIONAL INDOOR UNIT OPTIONS

MULTI R32								
	MUL18HP230V1R32AO	MUL19HP230V1R32AO	MUL24HP230V1R32AO	MUL30HP230V1R32AO	MUL36HP230V1R32AO	MUL42HP230V1R32AO	MUL60HP230V1R32AO	MUL60HP230V1R32AO
ONE WAY CASSETTE								
System Model no.								
OWC09HP230V1R32AH	•	•	•	•	•	•	•	•
OWC12HP230V1R32AH	•	•	•	•	•	•	•	•
OWC18HP230V1R32AH			•	•	•	•	•	•
OWC24HP230V1R32AH				•	•	•	•	•
360° CEILING CASSETTE								
System Model no.								
CAS09HP230V1R32AH	•	•	•	•	•	•	•	•
CAS12HP230V1R32AH	•	•	•	•	•	•	•	•
CAS18HP230V1R32AH			•	•	•	•	•	•
CAS24HP230V1R32AH				•	•	•	•	•
CAS30HP230V1R32AH								•
CAS36HP230V1R32AH								•
SLIM DUCT								
System Model no.								
DUC09HP230V1R32AH	•	•	•	•	•	•	•	•
DUC12HP230V1R32AH	•	•	•	•	•	•	•	•
DUC18HP230V1R32AH			•	•	•	•	•	•
DUC24HP230V1R32AH				•	•	•	•	•
DUC30HP230V1R32AH								•
DUC36HP230V1R32AH								•
FLOOR/CEILING								
System Model no.								
FLR09HP230V1R32AH	•	•	•	•	•	•	•	•
FLR12HP230V1R32AH	•	•	•	•	•	•	•	•
FLR18HP230V1R32AH			•	•	•	•	•	•
FLR24HP230V1R32AH				•	•	•	•	•
FLR30HP230V1R32AH								•
FLR36HP230V1R32AH								•
MINI CONSOLE								
System Model no.								
CON09HP230V1R32AH	•	•	•	•	•	•	•	•
CON12HP230V1R32AH	•	•	•	•	•	•	•	•
CON18HP230V1R32AH			•	•	•	•	•	•
AIR HANDLER								
System Model no.								
VAH12HP230V1R32AH	•	•	•	•	•	•	•	•
VAH18HP230V1R32AH			•	•	•	•	•	•
VAH24HP230V1R32AH				•	•	•	•	•

SPECIFICATIONS, FEATURES & FUNCTION SUMMARY

SYSTEM TYPE		HEAT PUMP	
Outdoor Model		MUL60HP230V1R32AO	
Number of Zones		2 - 6	
SYSTEM PERFORMANCE (Non-Ducted Indoor Units)			
Cooling Capacity	Min - Max	Btu/h	8,870 - 61,000
	Rated Capacity @95°F	Btu/h	55,000
Heating Capacity	Min - Max	Btu/h	8,870 - 62,000
	Rated Capacity @47°F	Btu/h	55,000
	Rated Capacity @17°F	Btu/h	41,000
	Rated Capacity @5°F	Btu/h	36,400
SEER2		21	
EER2		11.65	
HSPF2		10.0	
COP @5°F		2.10	
SYSTEM PERFORMANCE (Ducted Indoor Units)			
Cooling Capacity	Min - Max	Btu/h	8,870 - 61,000
	Rated Capacity @95°F	Btu/h	55,000
Heating Capacity	Min - Max	Btu/h	8,870 - 62,000
	Rated Capacity @47°F	Btu/h	55,000
	Rated Capacity @17°F	Btu/h	40,000
	Rated Capacity @5°F	Btu/h	31,000
SEER2		19.0	
EER2		11.7	
HSPF2		8.0	
COP @5°F		2.30	
SYSTEM PERFORMANCE (Mixed Ducted and Non-Ducted Indoor Units)			
Cooling Capacity	Min - Max	Btu/h	8,870 - 61,000
	Rated Capacity @95°F	Btu/h	55,000
Heating Capacity	Min - Max	Btu/h	8,870 - 62,000
	Rated Capacity @47°F	Btu/h	55,000
	Rated Capacity @17°F	Btu/h	40,000
	Rated Capacity @5°F	Btu/h	32,000
SEER2		20.0	
EER2		11.8	
HSPF2		9.0	
COP @5°F		2.20	
OUTDOOR UNIT		MUL60HP230V1R32AO	
Cooling Temperature Range	°F	-22 - 118	
Heating Temperature Range	°F	-22 - 75	
Refrigerant Type		R32	
Compressor Type		GREE G-20 / Double Cylinder / 1 - STAGE INVERTER	
Sound Pressure Level	dB(A)	59	
External Dimensions (W x H x D)	in	38-55/64 x 49-49/64 x 16-7/32	
Package Dimension (W x H x D)	in	40-43/64 x 55-5/16 x 17-7/16	
Net Weight	lbs	224.9	
Gross Weight	lbs	251.4	
REFRIGERANT PIPING			
Refrigerant Charge - R32	oz	112.88	
Compressor Type		GREE G-20 / Double Cylinder / 1 - STAGE INVERTER	
Additional Charge	oz/ft	0.2	
Port Size (Liquid - Gas)	Port A (in)	1/4 - 3/8	
	Port B (in)	1/4 - 3/8	
	Port C (in)	1/4 - 3/8	
	Port D (in)	1/4 - 3/8	
	Port E (in)	1/4 - 3/8	
	Port F (in)	1/4 - 3/8	
Pre-Charge Length	ft	196.85	
Pipe Length (Min - Max)	ft	10 - 393.7	
Pipe Length to furthest Indoor Unit	ft	82	
Max. Pipe Elevation	ft	82	
ELECTRICAL			
Power Supply		208-230V / 1Ph / 60Hz	
Voltage Range (Min - Max)	VAC	187 - 253	
Rated Current - Cooling	A	28.5	
Rated Current - Heating	A	30	
MOCP	A	40	
MCA	A	37.5	
Main Power Wire Size	AWG	Per Local Code	
Interconnecting Wire Size	AWG	14 / 4	
FEATURES & FUNCTIONS SUMMARY			
Inverter Type	G20		
Ultra Low Frequency Torque Control	Yes		
Compressor Type - Inverter	Yes		
Basepan With Electric Heater	Yes		
Indoor & Outdoor Fin Coating (Blue Fin)	Yes		
Intelligent Defrosting	Yes		
Intelligent Preheating	Yes		
Low Voltage Startup	Yes		
Memory/Power Failure Recovery	Yes		
Self Diagnosis	Yes		

ALLOWABLE COMBINATIONS CAPACITIES

MODEL NUMBER	POSSIBLE COMBINATIONS*	COOLING CAPACITY (Btu/h)						HEATING CAPACITY (Btu/h)					
		ZONE1	ZONE2	ZONE3	ZONE4	ZONE5	ZONE6	ZONE1	ZONE2	ZONE3	ZONE4	ZONE5	ZONE6
MUL60HP230V1R32AO	9K+24K	9000	24000					9000	24000				
MUL60HP230V1R32AO	9K+30K	9000	30000					9000	30000				
MUL60HP230V1R32AO	9K+36K	9000	36000					9000	36000				
MUL60HP230V1R32AO	12K+18K	12000	18000					12000	18000				
MUL60HP230V1R32AO	12K+24K	12000	24000					12000	24000				
MUL60HP230V1R32AO	12K+30K	12000	30000					12000	30000				
MUL60HP230V1R32AO	12K+36K	12000	36000					12000	36000				
MUL60HP230V1R32AO	18K+18K	18000	18000					18000	18000				
MUL60HP230V1R32AO	18K+24K	18000	24000					18000	24000				
MUL60HP230V1R32AO	18K+30K	18000	30000					18000	30000				
MUL60HP230V1R32AO	18K+36K	18000	36000					18000	36000				
MUL60HP230V1R32AO	24K+24K	24000	24000					24000	24000				
MUL60HP230V1R32AO	24K+36K	22000	33000					22000	33000				
MUL60HP230V1R32AO	30K+36K	25000	30000					25000	30000				
MUL60HP230V1R32AO	24K+30K	24000	30000					24000	30000				
MUL60HP230V1R32AO	30K+30K	27500	27500					27500	27500				
MUL60HP230V1R32AO	36K+36K	27500	27500					27500	27500				
MUL60HP230V1R32AO	9K+9K+12K	9000	9000	12000				9000	9000	12000			
MUL60HP230V1R32AO	9K+9K+30K	9000	9000	30000				9000	9000	30000			
MUL60HP230V1R32AO	9K+12K+12K	9000	12000	12000				9000	12000	12000			
MUL60HP230V1R32AO	9K+12K+30K	9000	12000	30000				9000	12000	30000			
MUL60HP230V1R32AO	9K+18K+18K	9000	18000	18000				9000	18000	18000			
MUL60HP230V1R32AO	9K+18K+24K	9000	18000	24000				9000	18000	24000			
MUL60HP230V1R32AO	9K+18K+36K	7857	15714	31429				7857	15714	31429			
MUL60HP230V1R32AO	9K+24K+30K	7857	20952	26190				7857	20952	26190			
MUL60HP230V1R32AO	9K+30K+30K	7174	23913	23913				7174	23913	23913			
MUL60HP230V1R32AO	9K+36K+36K	6111	24444	24444				6111	24444	24444			
MUL60HP230V1R32AO	12K+12K+18K	12000	12000	18000				12000	12000	18000			
MUL60HP230V1R32AO	12K+12K+24K	12000	12000	24000				12000	12000	24000			
MUL60HP230V1R32AO	12K+12K+36K	11000	11000	33000				11000	11000	33000			
MUL60HP230V1R32AO	12K+18K+30K	11000	16500	27500				11000	16500	27500			
MUL60HP230V1R32AO	12K+24K+24K	11000	22000	22000				11000	22000	22000			
MUL60HP230V1R32AO	12K+24K+36K	9167	18333	27500				9167	18333	27500			
MUL60HP230V1R32AO	12K+30K+36K	8462	21154	25385				8462	21154	25385			
MUL60HP230V1R32AO	18K+18K+18K	18000	18000	18000				18000	18000	18000			
MUL60HP230V1R32AO	18K+18K+24K	16500	16500	22000				16500	16500	22000			
MUL60HP230V1R32AO	18K+18K+36K	13750	13750	27500				13750	13750	27500			
MUL60HP230V1R32AO	18K+24K+30K	13750	18333	22917				13750	18333	22917			
MUL60HP230V1R32AO	18K+30K+30K	12692	21154	21154				12692	21154	21154			
MUL60HP230V1R32AO	18K+36K+36K	11000	22000	22000				11000	22000	22000			

Outdoor Unit & Possible Indoor Unit Combinations with AHRI Certified Performance

*You may substitute the 9K unit with a 5K or 7K High Wall unit, find complete capacity information in the extended ratings chart.

MODEL NUMBER	POSSIBLE COMBINATIONS*	COOLING CAPACITY (Btu/h)						HEATING CAPACITY (Btu/h)					
		ZONE1	ZONE2	ZONE3	ZONE4	ZONE5	ZONE6	ZONE1	ZONE2	ZONE3	ZONE4	ZONE5	ZONE6
MUL60HP230V1R32AO	24K+24K+24K	18333	18333	18333				18333	18333	18333			
MUL60HP230V1R32AO	24K+24K+36K	15714	15714	23571				15714	15714	23571			
MUL60HP230V1R32AO	24K+30K+36K	14667	18333	22000				14667	18333	22000			
MUL60HP230V1R32AO	9K+9K+18K	9000	9000	18000				9000	9000	18000			
MUL60HP230V1R32AO	9K+9K+24K	9000	9000	24000				9000	9000	24000			
MUL60HP230V1R32AO	9K+9K+36K	9000	9000	36000				9000	9000	36000			
MUL60HP230V1R32AO	9K+12K+18K	9000	12000	18000				9000	12000	18000			
MUL60HP230V1R32AO	9K+12K+24K	9000	12000	24000				9000	12000	24000			
MUL60HP230V1R32AO	9K+12K+36K	8684	11579	34737				8684	11579	34737			
MUL60HP230V1R32AO	9K+18K+30K	8684	17368	28947				8684	17368	28947			
MUL60HP230V1R32AO	9K+24K+24K	8684	23158	23158				8684	23158	23158			
MUL60HP230V1R32AO	9K+24K+36K	7174	19130	28696				7174	19130	28696			
MUL60HP230V1R32AO	9K+30K+36K	6600	22000	26400				6600	22000	26400			
MUL60HP230V1R32AO	12K+12K+12K	12000	12000	12000				12000	12000	12000			
MUL60HP230V1R32AO	12K+12K+30K	12000	12000	30000				12000	12000	30000			
MUL60HP230V1R32AO	12K+18K+18K	12000	18000	18000				12000	18000	18000			
MUL60HP230V1R32AO	12K+18K+24K	12000	18000	24000				12000	18000	24000			
MUL60HP230V1R32AO	12K+18K+36K	10000	15000	30000				10000	15000	30000			
MUL60HP230V1R32AO	12K+24K+30K	10000	20000	25000				10000	20000	25000			
MUL60HP230V1R32AO	12K+30K+30K	9167	22917	22917				9167	22917	22917			
MUL60HP230V1R32AO	12K+36K+36K	7857	23571	23571				7857	23571	23571			
MUL60HP230V1R32AO	18K+18K+30K	15000	15000	25000				15000	15000	25000			
MUL60HP230V1R32AO	18K+24K+24K	15000	20000	20000				15000	20000	20000			
MUL60HP230V1R32AO	18K+24K+36K	12692	16923	25385				12692	16923	25385			
MUL60HP230V1R32AO	18K+30K+36K	11786	19643	23571				11786	19643	23571			
MUL60HP230V1R32AO	24K+24K+30K	16923	16923	21154				16923	16923	21154			
MUL60HP230V1R32AO	24K+30K+30K	15714	19643	19643				15714	19643	19643			
MUL60HP230V1R32AO	30K+30K+30K	18333	18333	18333				18333	18333	18333			
MUL60HP230V1R32AO	9K+9K+9K+12K	9000	9000	9000	12000			9000	9000	9000	12000		
MUL60HP230V1R32AO	9K+9K+9K+30K	8684	8684	8684	28947			8684	8684	8684	28947		
MUL60HP230V1R32AO	9K+9K+12K+12K	9000	9000	12000	12000			9000	9000	12000	12000		
MUL60HP230V1R32AO	9K+9K+12K+30K	8250	8250	11000	27500			8250	8250	11000	27500		
MUL60HP230V1R32AO	9K+9K+18K+18K	9000	9000	18000	18000			9000	9000	18000	18000		
MUL60HP230V1R32AO	9K+9K+18K+24K	8250	8250	16500	22000			8250	8250	16500	22000		
MUL60HP230V1R32AO	9K+9K+18K+36K	6875	6875	13750	27500			6875	6875	13750	27500		
MUL60HP230V1R32AO	9K+9K+24K+30K	6875	6875	18333	22917			6875	6875	18333	22917		
MUL60HP230V1R32AO	9K+9K+30K+30K	6346	6346	21154	21154			6346	6346	21154	21154		
MUL60HP230V1R32AO	9K+9K+36K+36K	5500	5500	22000	22000			5500	5500	22000	22000		
MUL60HP230V1R32AO	9K+12K+12K+18K	9000	12000	12000	18000			9000	12000	12000	18000		
MUL60HP230V1R32AO	9K+12K+12K+24K	8684	11579	11579	23158			8684	11579	11579	23158		
MUL60HP230V1R32AO	9K+12K+12K+36K	7174	9565	9565	28696			7174	9565	9565	28696		
MUL60HP230V1R32AO	9K+12K+18K+30K	7174	9565	14348	23913			7174	9565	14348	23913		
MUL60HP230V1R32AO	9K+12K+24K+24K	7174	9565	19130	19130			7174	9565	19130	19130		

MODEL NUMBER	POSSIBLE COMBINATIONS*	COOLING CAPACITY (Btu/h)						HEATING CAPACITY (Btu/h)					
		ZONE1	ZONE2	ZONE3	ZONE4	ZONE5	ZONE6	ZONE1	ZONE2	ZONE3	ZONE4	ZONE5	ZONE6
MUL60HP230V1R32AO	9K+12K+24K+36K	6111	8148	16296	24444			6111	8148	16296	24444		
MUL60HP230V1R32AO	9K+12K+30K+36K	5690	7586	18966	22759			5690	7586	18966	22759		
MUL60HP230V1R32AO	9K+18K+18K+30K	6600	13200	13200	22000			6600	13200	13200	22000		
MUL60HP230V1R32AO	9K+18K+24K+24K	6600	13200	17600	17600			6600	13200	17600	17600		
MUL60HP230V1R32AO	9K+18K+24K+36K	5690	11379	15172	22759			5690	11379	15172	22759		
MUL60HP230V1R32AO	9K+24K+24K+24K	6111	16296	16296	16296			6111	16296	16296	16296		
MUL60HP230V1R32AO	12K+12K+12K+12K	12000	12000	12000	12000			12000	12000	12000	12000		
MUL60HP230V1R32AO	12K+12K+12K+30K	10000	10000	10000	25000			10000	10000	10000	25000		
MUL60HP230V1R32AO	12K+12K+18K+18K	11000	11000	16500	16500			11000	11000	16500	16500		
MUL60HP230V1R32AO	12K+12K+18K+24K	10000	10000	15000	20000			10000	10000	15000	20000		
MUL60HP230V1R32AO	12K+12K+18K+36K	8462	8462	12692	25385			8462	8462	12692	25385		
MUL60HP230V1R32AO	12K+12K+24K+30K	8462	8462	16923	21154			8462	8462	16923	21154		
MUL60HP230V1R32AO	12K+12K+30K+30K	7857	7857	19643	19643			7857	7857	19643	19643		
MUL60HP230V1R32AO	12K+18K+18K+18K	10000	15000	15000	15000			10000	15000	15000	15000		
MUL60HP230V1R32AO	12K+18K+18K+24K	9167	13750	13750	18333			9167	13750	13750	18333		
MUL60HP230V1R32AO	12K+18K+18K+36K	7857	11786	11786	23571			7857	11786	11786	23571		
MUL60HP230V1R32AO	12K+18K+24K+30K	7857	11786	15714	19643			7857	11786	15714	19643		
MUL60HP230V1R32AO	12K+18K+30K+30K	7333	11000	18333	18333			7333	11000	18333	18333		
MUL60HP230V1R32AO	12K+24K+24K+30K	7333	14667	14667	18333			7333	14667	14667	18333		
MUL60HP230V1R32AO	18K+18K+18K+30K	11786	11786	11786	19643			11786	11786	11786	19643		
MUL60HP230V1R32AO	18K+18K+24K+30K	11000	11000	14667	18333			11000	11000	14667	18333		
MUL60HP230V1R32AO	9K+9K+9K+18K	9000	9000	9000	18000			9000	9000	9000	18000		
MUL60HP230V1R32AO	9K+9K+9K+24K	9000	9000	9000	24000			9000	9000	9000	24000		
MUL60HP230V1R32AO	9K+9K+9K+36K	7857	7857	7857	31429			7857	7857	7857	31429		
MUL60HP230V1R32AO	9K+9K+12K+18K	9000	9000	12000	18000			9000	9000	12000	18000		
MUL60HP230V1R32AO	9K+9K+12K+24K	9000	9000	12000	24000			9000	9000	12000	24000		
MUL60HP230V1R32AO	9K+9K+12K+36K	7500	7500	10000	30000			7500	7500	10000	30000		
MUL60HP230V1R32AO	9K+9K+18K+30K	7500	7500	15000	25000			7500	7500	15000	25000		
MUL60HP230V1R32AO	9K+9K+24K+24K	7500	7500	20000	20000			7500	7500	20000	20000		
MUL60HP230V1R32AO	9K+9K+24K+36K	6346	6346	16923	25385			6346	6346	16923	25385		
MUL60HP230V1R32AO	9K+9K+30K+36K	5893	5893	19643	23571			5893	5893	19643	23571		
MUL60HP230V1R32AO	9K+12K+12K+12K	9000	12000	12000	12000			9000	12000	12000	12000		
MUL60HP230V1R32AO	9K+12K+12K+30K	7857	10476	10476	26190			7857	10476	10476	26190		
MUL60HP230V1R32AO	9K+12K+18K+18K	8684	11579	17368	17368			8684	11579	17368	17368		
MUL60HP230V1R32AO	9K+12K+18K+24K	7857	10476	15714	20952			7857	10476	15714	20952		
MUL60HP230V1R32AO	9K+12K+18K+36K	6600	8800	13200	26400			6600	8800	13200	26400		
MUL60HP230V1R32AO	9K+12K+24K+30K	6600	8800	17600	22000			6600	8800	17600	22000		
MUL60HP230V1R32AO	9K+12K+30K+30K	6111	8148	20370	20370			6111	8148	20370	20370		
MUL60HP230V1R32AO	9K+18K+18K+18K	7857	15714	15714	15714			7857	15714	15714	15714		
MUL60HP230V1R32AO	9K+18K+18K+24K	7174	14348	14348	19130			7174	14348	14348	19130		
MUL60HP230V1R32AO	9K+18K+18K+36K	6111	12222	12222	24444			6111	12222	12222	24444		
MUL60HP230V1R32AO	9K+18K+24K+30K	6111	12222	16296	20370			6111	12222	16296	20370		
MUL60HP230V1R32AO	9K+18K+30K+30K	5690	11379	18966	18966			5690	11379	18966	18966		

MODEL NUMBER	POSSIBLE COMBINATIONS*	COOLING CAPACITY (Btu/h)						HEATING CAPACITY (Btu/h)					
		ZONE1	ZONE2	ZONE3	ZONE4	ZONE5	ZONE6	ZONE1	ZONE2	ZONE3	ZONE4	ZONE5	ZONE6
MUL60HP230V1R32AO	9K+24K+24K+30K	5690	15172	15172	18966			5690	15172	15172	18966		
MUL60HP230V1R32AO	12K+12K+12K+18K	12000	12000	12000	18000			12000	12000	12000	18000		
MUL60HP230V1R32AO	12K+12K+12K+24K	11000	11000	11000	22000			11000	11000	11000	22000		
MUL60HP230V1R32AO	12K+12K+12K+36K	9167	9167	9167	27500			9167	9167	9167	27500		
MUL60HP230V1R32AO	12K+12K+18K+30K	9167	9167	13750	22917			9167	9167	13750	22917		
MUL60HP230V1R32AO	12K+12K+24K+24K	9167	9167	18333	18333			9167	9167	18333	18333		
MUL60HP230V1R32AO	12K+12K+24K+36K	7857	7857	15714	23571			7857	7857	15714	23571		
MUL60HP230V1R32AO	12K+12K+30K+36K	7333	7333	18333	22000			7333	7333	18333	22000		
MUL60HP230V1R32AO	12K+18K+18K+30K	8462	12692	12692	21154			8462	12692	12692	21154		
MUL60HP230V1R32AO	12K+18K+24K+24K	8462	12692	16923	16923			8462	12692	16923	16923		
MUL60HP230V1R32AO	12K+18K+24K+36K	7333	11000	14667	22000			7333	11000	14667	22000		
MUL60HP230V1R32AO	12K+24K+24K+24K	7857	15714	15714	15714			7857	15714	15714	15714		
MUL60HP230V1R32AO	18K+18K+18K+18K	13750	13750	13750	13750			13750	13750	13750	13750		
MUL60HP230V1R32AO	18K+18K+18K+24K	12692	12692	12692	16923			12692	12692	12692	16923		
MUL60HP230V1R32AO	18K+18K+18K+36K	11000	11000	11000	22000			11000	11000	11000	22000		
MUL60HP230V1R32AO	18K+18K+24K+24K	11786	11786	15714	15714			11786	11786	15714	15714		
MUL60HP230V1R32AO	18K+24K+24K+24K	11000	14667	14667	14667			11000	14667	14667	14667		
MUL60HP230V1R32AO	9K+9K+9K+9K+9K	9000	9000	9000	9000	9000		9000	9000	9000	9000	9000	
MUL60HP230V1R32AO	9K+9K+9K+9K+18K	9000	9000	9000	9000	18000		9000	9000	9000	9000	18000	
MUL60HP230V1R32AO	9K+9K+9K+9K+24K	8250	8250	8250	8250	22000		8250	8250	8250	8250	22000	
MUL60HP230V1R32AO	9K+9K+9K+9K+36K	6875	6875	6875	6875	27500		6875	6875	6875	6875	27500	
MUL60HP230V1R32AO	9K+9K+9K+12K+18K	8684	8684	8684	11579	17368		8684	8684	8684	11579	17368	
MUL60HP230V1R32AO	9K+9K+9K+12K+24K	7857	7857	7857	10476	20952		7857	7857	7857	10476	20952	
MUL60HP230V1R32AO	9K+9K+9K+12K+36K	6600	6600	6600	8800	26400		6600	6600	6600	8800	26400	
MUL60HP230V1R32AO	9K+9K+9K+18K+30K	6600	6600	6600	13200	22000		6600	6600	6600	13200	22000	
MUL60HP230V1R32AO	9K+9K+9K+24K+24K	6600	6600	6600	17600	17600		6600	6600	6600	17600	17600	
MUL60HP230V1R32AO	9K+9K+9K+24K+36K	5690	5690	5690	15172	22759		5690	5690	5690	15172	22759	
MUL60HP230V1R32AO	9K+9K+12K+12K+12K	9000	9000	12000	12000	12000		9000	9000	12000	12000	12000	
MUL60HP230V1R32AO	9K+9K+12K+12K+30K	6875	6875	9167	9167	22917		6875	6875	9167	9167	22917	
MUL60HP230V1R32AO	9K+9K+12K+18K+18K	7500	7500	10000	15000	15000		7500	7500	10000	15000	15000	
MUL60HP230V1R32AO	9K+9K+12K+18K+24K	6875	6875	9167	13750	18333		6875	6875	9167	13750	18333	
MUL60HP230V1R32AO	9K+9K+12K+18K+36K	5893	5893	7857	11786	23571		5893	5893	7857	11786	23571	
MUL60HP230V1R32AO	9K+9K+12K+24K+30K	5893	5893	7857	15714	19643		5893	5893	7857	15714	19643	
MUL60HP230V1R32AO	9K+9K+12K+30K+30K	5500	5500	7333	18333	18333		5500	5500	7333	18333	18333	
MUL60HP230V1R32AO	9K+9K+18K+18K+30K	5893	5893	11786	11786	19643		5893	5893	11786	11786	19643	
MUL60HP230V1R32AO	9K+9K+18K+24K+30K	5500	5500	11000	14667	18333		5500	5500	11000	14667	18333	
MUL60HP230V1R32AO	9K+12K+12K+12K+12K	8684	11579	11579	11579	11579		8684	11579	11579	11579	11579	
MUL60HP230V1R32AO	9K+12K+12K+12K+30K	6600	8800	8800	8800	22000		6600	8800	8800	8800	22000	
MUL60HP230V1R32AO	9K+12K+12K+18K+18K	7174	9565	9565	14348	14348		7174	9565	9565	14348	14348	
MUL60HP230V1R32AO	9K+12K+12K+18K+24K	6600	8800	8800	13200	17600		6600	8800	8800	13200	17600	
MUL60HP230V1R32AO	9K+12K+12K+18K+36K	5690	7586	7586	11379	22759		5690	7586	7586	11379	22759	
MUL60HP230V1R32AO	9K+12K+12K+24K+30K	5690	7586	7586	15172	18966		5690	7586	7586	15172	18966	
MUL60HP230V1R32AO	9K+12K+18K+18K+30K	5690	7586	11379	11379	18966		5690	7586	11379	11379	18966	

MODEL NUMBER	POSSIBLE COMBINATIONS*	COOLING CAPACITY (Btu/h)						HEATING CAPACITY (Btu/h)					
		ZONE1	ZONE2	ZONE3	ZONE4	ZONE5	ZONE6	ZONE1	ZONE2	ZONE3	ZONE4	ZONE5	ZONE6
MUL60HP230V1R32AO	9K+12K+18K+24K+24K	5690	7586	11379	15172	15172		5690	7586	11379	15172	15172	
MUL60HP230V1R32AO	9K+18K+18K+18K+18K	6111	12222	12222	12222	12222		6111	12222	12222	12222	12222	
MUL60HP230V1R32AO	9K+18K+18K+18K+24K	5690	11379	11379	11379	15172		5690	11379	11379	11379	15172	
MUL60HP230V1R32AO	12K+12K+12K+12K+12K	11000	11000	11000	11000	11000		11000	11000	11000	11000	11000	
MUL60HP230V1R32AO	12K+12K+12K+12K+30K	8462	8462	8462	8462	21154		8462	8462	8462	8462	21154	
MUL60HP230V1R32AO	12K+12K+12K+18K+18K	9167	9167	9167	13750	13750		9167	9167	9167	13750	13750	
MUL60HP230V1R32AO	12K+12K+12K+18K+24K	8462	8462	8462	12692	16923		8462	8462	8462	12692	16923	
MUL60HP230V1R32AO	12K+12K+12K+18K+36K	7333	7333	7333	11000	22000		7333	7333	7333	11000	22000	
MUL60HP230V1R32AO	12K+12K+12K+24K+24K	7857	7857	7857	15714	15714		7857	7857	7857	15714	15714	
MUL60HP230V1R32AO	12K+12K+18K+18K+18K	8462	8462	12692	12692	12692		8462	8462	12692	12692	12692	
MUL60HP230V1R32AO	12K+12K+18K+18K+24K	7857	7857	11786	11786	15714		7857	7857	11786	11786	15714	
MUL60HP230V1R32AO	12K+12K+18K+24K+24K	7333	7333	11000	14667	14667		7333	7333	11000	14667	14667	
MUL60HP230V1R32AO	12K+18K+18K+18K+18K	7857	11786	11786	11786	11786		7857	11786	11786	11786	11786	
MUL60HP230V1R32AO	12K+18K+18K+18K+24K	7333	11000	11000	11000	14667		7333	11000	11000	11000	14667	
MUL60HP230V1R32AO	18K+18K+18K+18K+18K	11000	11000	11000	11000	11000		11000	11000	11000	11000	11000	
MUL60HP230V1R32AO	9K+9K+9K+9K+12K	9000	9000	9000	9000	12000		9000	9000	9000	9000	12000	
MUL60HP230V1R32AO	9K+9K+9K+9K+30K	7500	7500	7500	7500	25000		7500	7500	7500	7500	25000	
MUL60HP230V1R32AO	9K+9K+9K+12K+12K	9000	9000	9000	12000	12000		9000	9000	9000	12000	12000	
MUL60HP230V1R32AO	9K+9K+9K+12K+30K	7174	7174	7174	9565	23913		7174	7174	7174	9565	23913	
MUL60HP230V1R32AO	9K+9K+9K+18K+18K	7857	7857	7857	15714	15714		7857	7857	7857	15714	15714	
MUL60HP230V1R32AO	9K+9K+9K+18K+24K	7174	7174	7174	14348	19130		7174	7174	7174	14348	19130	
MUL60HP230V1R32AO	9K+9K+9K+18K+36K	6111	6111	6111	12222	24444		6111	6111	6111	12222	24444	
MUL60HP230V1R32AO	9K+9K+9K+24K+30K	6111	6111	6111	16296	20370		6111	6111	6111	16296	20370	
MUL60HP230V1R32AO	9K+9K+9K+30K+30K	5690	5690	5690	18966	18966		5690	5690	5690	18966	18966	
MUL60HP230V1R32AO	9K+9K+12K+12K+18K	8250	8250	11000	11000	16500		8250	8250	11000	11000	16500	
MUL60HP230V1R32AO	9K+9K+12K+12K+24K	7500	7500	10000	10000	20000		7500	7500	10000	10000	20000	
MUL60HP230V1R32AO	9K+9K+12K+12K+36K	6346	6346	8462	8462	25385		6346	6346	8462	8462	25385	
MUL60HP230V1R32AO	9K+9K+12K+18K+30K	6346	6346	8462	12692	21154		6346	6346	8462	12692	21154	
MUL60HP230V1R32AO	9K+9K+12K+24K+24K	6346	6346	8462	16923	16923		6346	6346	8462	16923	16923	
MUL60HP230V1R32AO	9K+9K+12K+24K+36K	5500	5500	7333	14667	22000		5500	5500	7333	14667	22000	
MUL60HP230V1R32AO	9K+9K+18K+18K+18K	6875	6875	13750	13750	13750		6875	6875	13750	13750	13750	
MUL60HP230V1R32AO	9K+9K+18K+18K+24K	6346	6346	12692	12692	16923		6346	6346	12692	12692	16923	
MUL60HP230V1R32AO	9K+9K+18K+18K+36K	5500	5500	11000	11000	22000		5500	5500	11000	11000	22000	
MUL60HP230V1R32AO	9K+9K+18K+24K+24K	5893	5893	11786	15714	15714		5893	5893	11786	15714	15714	
MUL60HP230V1R32AO	9K+9K+24K+24K+24K	5500	5500	14667	14667	14667		5500	5500	14667	14667	14667	
MUL60HP230V1R32AO	9K+12K+12K+12K+18K	7857	10476	10476	10476	15714		7857	10476	10476	10476	15714	
MUL60HP230V1R32AO	9K+12K+12K+12K+24K	7174	9565	9565	9565	19130		7174	9565	9565	9565	19130	
MUL60HP230V1R32AO	9K+12K+12K+12K+36K	6111	8148	8148	8148	24444		6111	8148	8148	8148	24444	
MUL60HP230V1R32AO	9K+12K+12K+18K+30K	6111	8148	8148	12222	20370		6111	8148	8148	12222	20370	
MUL60HP230V1R32AO	9K+12K+12K+24K+24K	6111	8148	8148	16296	16296		6111	8148	8148	16296	16296	
MUL60HP230V1R32AO	9K+12K+18K+18K+18K	6600	8800	13200	13200	13200		6600	8800	13200	13200	13200	
MUL60HP230V1R32AO	9K+12K+18K+18K+24K	6111	8148	12222	12222	16296		6111	8148	12222	12222	16296	
MUL60HP230V1R32AO	12K+12K+12K+12K+18K	10000	10000	10000	10000	15000		10000	10000	10000	10000	15000	

MODEL NUMBER	POSSIBLE COMBINATIONS*	COOLING CAPACITY (Btu/h)						HEATING CAPACITY (Btu/h)					
		ZONE1	ZONE2	ZONE3	ZONE4	ZONE5	ZONE6	ZONE1	ZONE2	ZONE3	ZONE4	ZONE5	ZONE6
MUL60HP230V1R32AO	12K+12K+12K+12K+24K	9167	9167	9167	9167	18333		9167	9167	9167	9167	18333	
MUL60HP230V1R32AO	12K+12K+12K+12K+36K	7857	7857	7857	7857	23571		7857	7857	7857	7857	23571	
MUL60HP230V1R32AO	12K+12K+12K+18K+30K	7857	7857	7857	11786	19643		7857	7857	7857	11786	19643	
MUL60HP230V1R32AO	12K+12K+12K+24K+30K	7333	7333	7333	14667	18333		7333	7333	7333	14667	18333	
MUL60HP230V1R32AO	12K+12K+18K+18K+30K	7333	7333	11000	11000	18333		7333	7333	11000	11000	18333	
MUL60HP230V1R32AO	9K+9K+9K+9K+9K+9K	9000	9000	9000	9000	9000	9000	9000	9000	9000	9000	9000	9000
MUL60HP230V1R32AO	9K+9K+9K+9K+9K+18K	7857	7857	7857	7857	7857	15714	7857	7857	7857	7857	7857	15714
MUL60HP230V1R32AO	9K+9K+9K+9K+9K+24K	7174	7174	7174	7174	7174	19130	7174	7174	7174	7174	7174	19130
MUL60HP230V1R32AO	9K+9K+9K+9K+9K+36K	6111	6111	6111	6111	6111	24444	6111	6111	6111	6111	6111	24444
MUL60HP230V1R32AO	9K+9K+9K+9K+12K+18K	7500	7500	7500	7500	10000	15000	7500	7500	7500	7500	10000	15000
MUL60HP230V1R32AO	9K+9K+9K+9K+12K+24K	6875	6875	6875	6875	9167	18333	6875	6875	6875	6875	9167	18333
MUL60HP230V1R32AO	9K+9K+9K+9K+12K+36K	5893	5893	5893	5893	7857	23571	5893	5893	5893	5893	7857	23571
MUL60HP230V1R32AO	9K+9K+9K+9K+18K+30K	5893	5893	5893	5893	11786	19643	5893	5893	5893	5893	11786	19643
MUL60HP230V1R32AO	9K+9K+9K+9K+24K+30K	5500	5500	5500	5500	14667	18333	5500	5500	5500	5500	14667	18333
MUL60HP230V1R32AO	9K+9K+9K+12K+12K+18K	7174	7174	7174	9565	9565	14348	7174	7174	7174	9565	9565	14348
MUL60HP230V1R32AO	9K+9K+9K+12K+12K+24K	6600	6600	6600	8800	8800	17600	6600	6600	6600	8800	8800	17600
MUL60HP230V1R32AO	9K+9K+9K+12K+12K+36K	5690	5690	5690	7586	7586	22759	5690	5690	5690	7586	7586	22759
MUL60HP230V1R32AO	9K+9K+9K+12K+18K+30K	5690	5690	5690	7586	11379	18966	5690	5690	5690	7586	11379	18966
MUL60HP230V1R32AO	9K+9K+9K+18K+18K+18K	6111	6111	6111	12222	12222	12222	6111	6111	6111	12222	12222	12222
MUL60HP230V1R32AO	9K+9K+9K+18K+18K+24K	5690	5690	5690	11379	11379	15172	5690	5690	5690	11379	11379	15172
MUL60HP230V1R32AO	9K+9K+12K+12K+12K+18K	6875	6875	9167	9167	9167	13750	6875	6875	9167	9167	9167	13750
MUL60HP230V1R32AO	9K+9K+12K+12K+12K+24K	6346	6346	8462	8462	8462	16923	6346	6346	8462	8462	8462	16923
MUL60HP230V1R32AO	9K+9K+12K+12K+12K+36K	5500	5500	7333	7333	7333	22000	5500	5500	7333	7333	7333	22000
MUL60HP230V1R32AO	9K+9K+12K+12K+18K+30K	5500	5500	7333	7333	11000	18333	5500	5500	7333	7333	11000	18333
MUL60HP230V1R32AO	9K+9K+18K+18K+18K+18K	5500	5500	11000	11000	11000	11000	5500	5500	11000	11000	11000	11000
MUL60HP230V1R32AO	9K+12K+12K+12K+12K+18K	6600	8800	8800	8800	8800	13200	6600	8800	8800	8800	8800	13200
MUL60HP230V1R32AO	9K+12K+12K+12K+12K+24K	6111	8148	8148	8148	8148	16296	6111	8148	8148	8148	8148	16296
MUL60HP230V1R32AO	9K+12K+12K+12K+18K+18K	6111	8148	8148	8148	12222	12222	6111	8148	8148	8148	12222	12222
MUL60HP230V1R32AO	9K+12K+12K+12K+18K+24K	5690	7586	7586	7586	11379	15172	5690	7586	7586	7586	11379	15172
MUL60HP230V1R32AO	12K+12K+12K+12K+12K+18K	8462	8462	8462	8462	8462	12692	8462	8462	8462	8462	8462	12692
MUL60HP230V1R32AO	12K+12K+12K+12K+12K+24K	7857	7857	7857	7857	7857	15714	7857	7857	7857	7857	7857	15714
MUL60HP230V1R32AO	12K+12K+12K+12K+18K+18K	7857	7857	7857	7857	11786	11786	7857	7857	7857	7857	11786	11786
MUL60HP230V1R32AO	12K+12K+12K+12K+18K+24K	7333	7333	7333	7333	11000	14667	7333	7333	7333	7333	11000	14667
MUL60HP230V1R32AO	9K+9K+9K+9K+9K+12K	8684	8684	8684	8684	8684	11579	8684	8684	8684	8684	8684	11579
MUL60HP230V1R32AO	9K+9K+9K+9K+9K+30K	6600	6600	6600	6600	6600	22000	6600	6600	6600	6600	6600	22000
MUL60HP230V1R32AO	9K+9K+9K+9K+12K+12K	8250	8250	8250	8250	11000	11000	8250	8250	8250	8250	11000	11000
MUL60HP230V1R32AO	9K+9K+9K+9K+12K+30K	6346	6346	6346	6346	8462	21154	6346	6346	6346	6346	8462	21154
MUL60HP230V1R32AO	9K+9K+9K+9K+18K+18K	6875	6875	6875	6875	13750	13750	6875	6875	6875	6875	13750	13750
MUL60HP230V1R32AO	9K+9K+9K+9K+18K+24K	6346	6346	6346	6346	12692	16923	6346	6346	6346	6346	12692	16923
MUL60HP230V1R32AO	9K+9K+9K+9K+18K+36K	5500	5500	5500	5500	11000	22000	5500	5500	5500	5500	11000	22000
MUL60HP230V1R32AO	9K+9K+9K+9K+24K+24K	5893	5893	5893	5893	15714	15714	5893	5893	5893	5893	15714	15714
MUL60HP230V1R32AO	9K+9K+9K+12K+12K+12K	7857	7857	7857	10476	10476	10476	7857	7857	7857	10476	10476	10476
MUL60HP230V1R32AO	9K+9K+9K+12K+12K+30K	6111	6111	6111	8148	8148	20370	6111	6111	6111	8148	8148	20370

MODEL NUMBER	POSSIBLE COMBINATIONS*	COOLING CAPACITY (Btu/h)						HEATING CAPACITY (Btu/h)					
		ZONE1	ZONE2	ZONE3	ZONE4	ZONE5	ZONE6	ZONE1	ZONE2	ZONE3	ZONE4	ZONE5	ZONE6
MUL60HP230V1R32AO	9K+9K+9K+12K+18K+18K	6600	6600	6600	8800	13200	13200	6600	6600	6600	8800	13200	13200
MUL60HP230V1R32AO	9K+9K+9K+12K+18K+24K	6111	6111	6111	8148	12222	16296	6111	6111	6111	8148	12222	16296
MUL60HP230V1R32AO	9K+9K+12K+12K+12K+12K	7500	7500	10000	10000	10000	10000	7500	7500	10000	10000	10000	10000
MUL60HP230V1R32AO	9K+9K+12K+12K+12K+30K	5893	5893	7857	7857	7857	19643	5893	5893	7857	7857	7857	19643
MUL60HP230V1R32AO	9K+9K+12K+12K+18K+18K	6346	6346	8462	8462	12692	12692	6346	6346	8462	8462	12692	12692
MUL60HP230V1R32AO	9K+9K+12K+12K+18K+24K	5893	5893	7857	7857	11786	15714	5893	5893	7857	7857	11786	15714
MUL60HP230V1R32AO	9K+9K+12K+18K+18K+18K	5893	5893	7857	11786	11786	11786	5893	5893	7857	11786	11786	11786
MUL60HP230V1R32AO	9K+9K+12K+18K+18K+24K	5500	5500	7333	11000	11000	14667	5500	5500	7333	11000	11000	14667
MUL60HP230V1R32AO	9K+12K+12K+12K+12K+12K	7174	9565	9565	9565	9565	9565	7174	9565	9565	9565	9565	9565
MUL60HP230V1R32AO	9K+12K+12K+12K+12K+30K	5690	7586	7586	7586	7586	18966	5690	7586	7586	7586	7586	18966
MUL60HP230V1R32AO	12K+12K+12K+12K+12K+12K	9167	9167	9167	9167	9167	9167	9167	9167	9167	9167	9167	9167
MUL60HP230V1R32AO	12K+12K+12K+12K+12K+30K	7333	7333	7333	7333	7333	18333	7333	7333	7333	7333	7333	18333
MUL60HP230V1R32AO	12K+12K+12K+18K+18K+18K	7333	7333	7333	11000	11000	11000	7333	7333	7333	11000	11000	11000

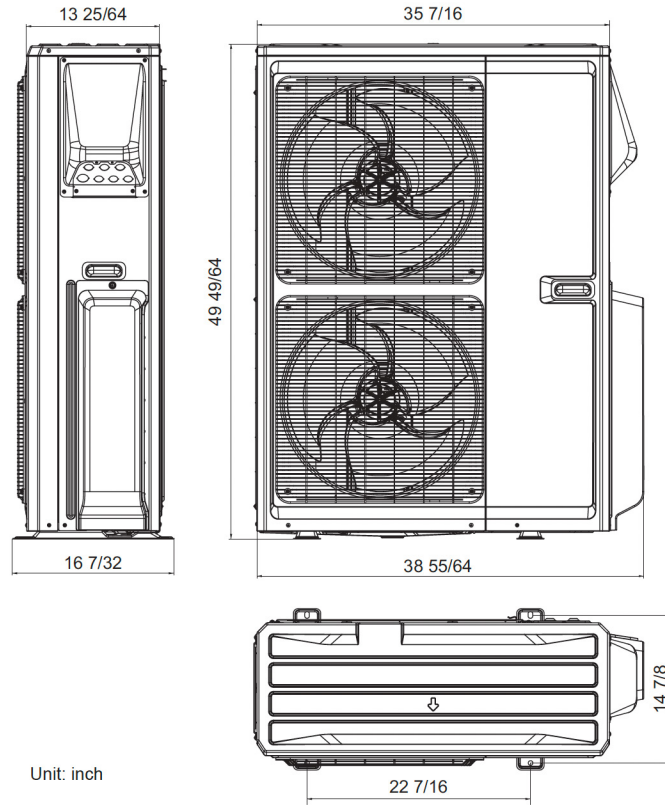
DIMENSIONS

OUTDOOR UNIT

Unit: inch

MUL60HP230V1R32AO

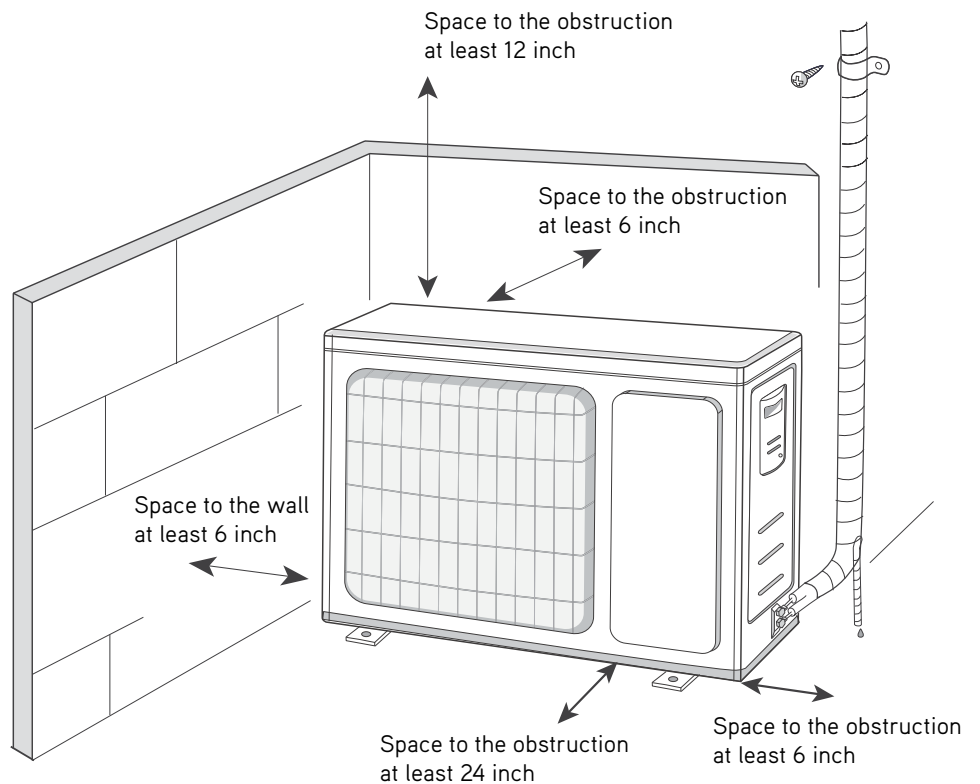
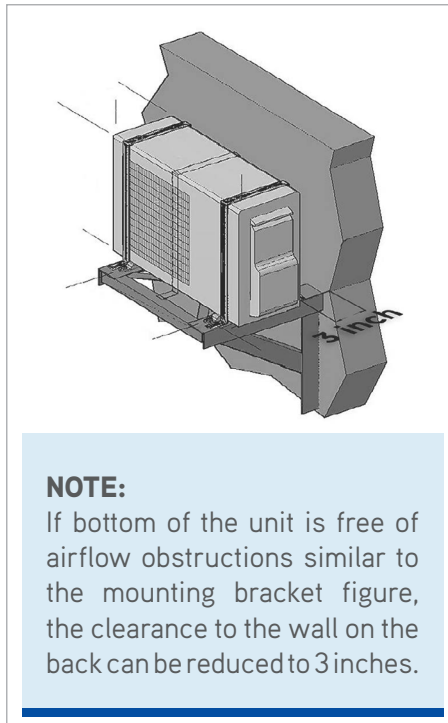
DIMENSIONS



CLEARANCES

OUTDOOR UNIT

Minimum clearance



Specifications are subject to change without notice. Manufacturer reserves the right to discontinue or modify specifications or designs without notice or without incurring obligations. All Rights reserved.

GEECOMFORT.COM/SYSTEM-DOCUMENTATION