

Super High Fan Coil 208~230V



Job Name: _____ Date: _____

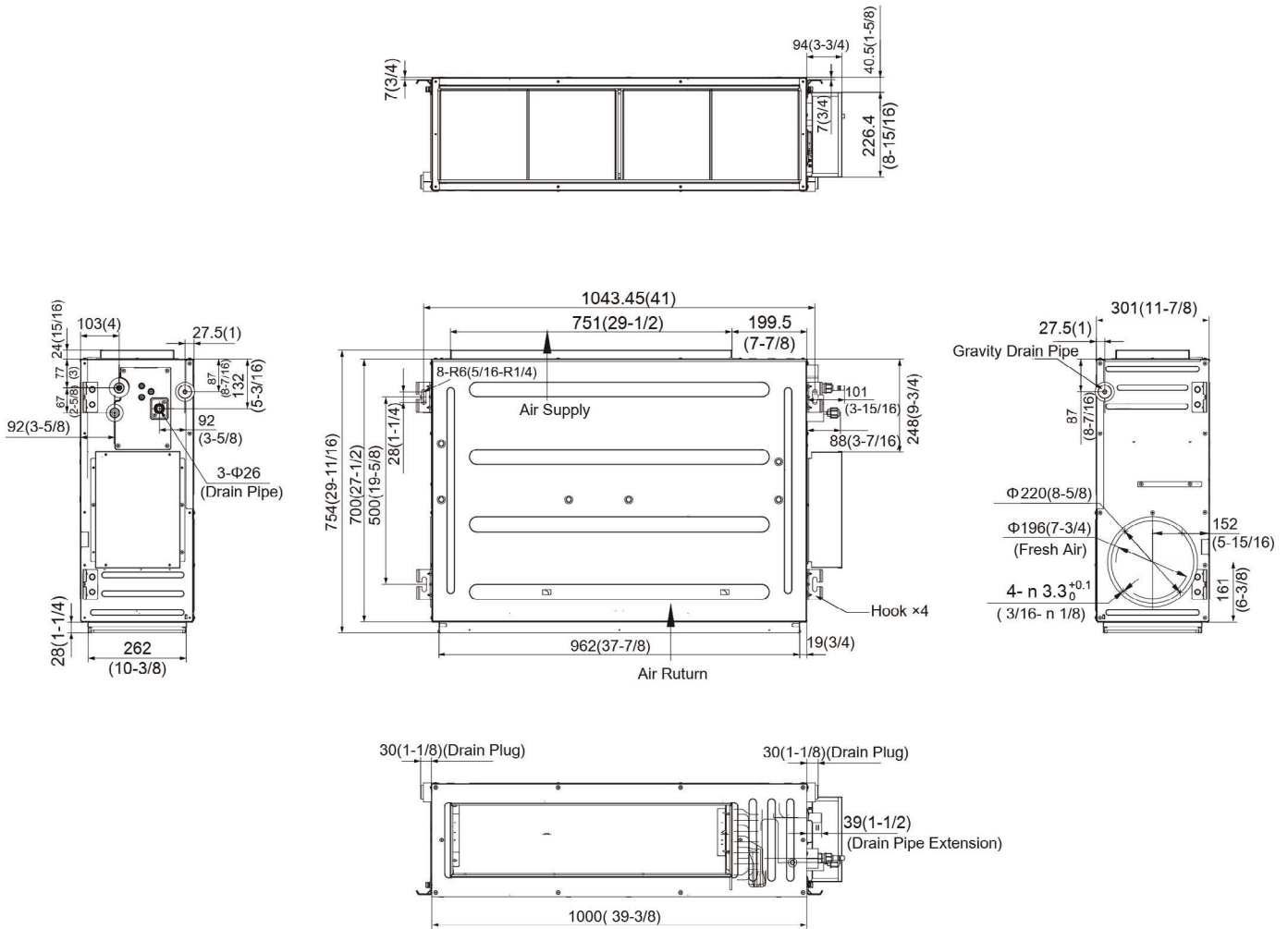
System Reference No.: _____ Engineer Signature: _____

Model: GMV-ND24PHS/B-T(U)



Specifications	Unit	Parameter
Performance		GMV-ND24PHS/B-T(U)
Rated Cooling Capacity	kBtu/h	24.0
Rated Heating Capacity	kBtu/h	27.0
Sound Pressure Level (H/M/L)	dB(A)	43/39/35
Electrical Data		
Power supply	Voltage, Phase, Hertz	208/230, 1, 60
Minimum Circuit Amps (MCA)	A	1.2
Maximum Overcurrent Protection (MOP)	A	15
Fuse	A	15
Fan		
Type x Quantity		Centrifugal x 2
Air Flow Volume (H/M/L)	CFM	736/618/559
ESP	in.W.G.	0~0.8
Fan Motor Running Current	A	0.90
Fan Motor Power Input	W	200
Refrigerant Piping		
Connection Pipe	Gas (inch)	5/8
	Liquid (inch)	3/8
Connection Method		Brazing Connection
Refrigerant		R410A
Dimension/Weight		
Dimensions (WxDxH)	inch	39-3/8 x 27-9/16 x 11-13/16
Net Weight	lbs	94
Other		
Safety Certification		ETL

Outline and Physical Dimensions of GMV-ND24PHS/B-T(U).



Unit:mm(in.)

