





## SUBMITTAL DATA

SAP18HP230V1R32AH / SAP18HP230V1R32AO  
18000 BTU/H Wall Mounted Heat Pump System

Job Name	Location	Date
Purchaser	Engineer	
Submitted to	For	
Unit Designation	Schedule No.	

			
YBE1FB9F	SAP18HP230V1R32AH	SAP18HP230V1R32AO	XE71 (Optional)

### GENERAL FEATURES

- AHRI Certificate: ---
- New R32 Refrigerant
- High Efficiency DC Inverter Technology
- Elegant and Quiet Design
- Auto-Clean Function on Indoor Unit
- Wireless Remote with LCD Display
- Wired Controller Options
- Wi-Fi Included (Factory Installed)
- Low Ambient Cooling down to -20°F (Range -20°F to 122°F)
- Low Ambient Heating down to -22°F (Range -22°F to 86°F)
- Coil (Outdoor) Copper Tube/Aluminum Fin with Anti-Corrosion Coil Coating (Gold Colored Fin - 1500Hr Salt Spray Rating)
- Coil (Indoor) Copper Tube/Aluminum Fin with Anti-Corrosion Coil Coating (Blue Colored Fin - 500Hr Salt Spray Rating)

## SPECIFICATIONS, FEATURES & FUNCTION SUMMARY

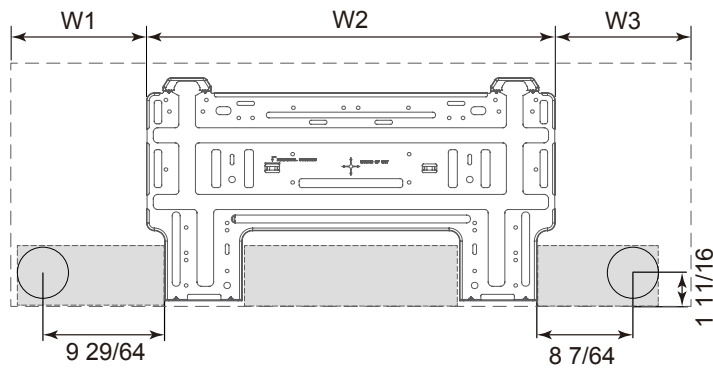
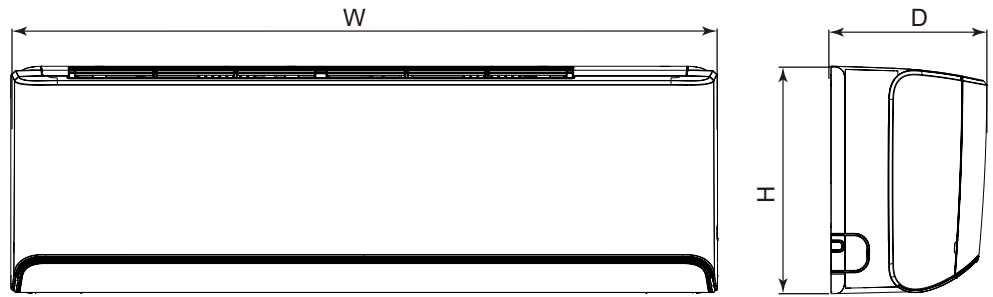
SPECIFICATIONS		SAP18HP230V1R32AH / SAP18HP230V1R32AO		FEATURES & FUNCTIONS SUMMARY		SAP18HP230V1R32AH / SAP18HP230V1R32AO	
System Type		HEAT PUMP					
<b>SYSTEM PERFORMANCE</b>				<b>SYSTEM FEATURES</b>			
Cooling	Min - Max	Btu/h	4435 - 25590		Inverter Type	G10	
	Capacity @95°F	Btu/h	18000		Ultra Low Frequency Torque Control	Yes	
Heating	Min - Max	Btu/h	5118 - 26272		Power Factor Correction	Yes	
	Rated Capacity @95°F	Btu/h	18595		Compressor Type	High Efficiency Two Stage Rotary	
	Rated Capacity @17°F	Btu/h			Basepan With Electric Heater	Yes	
	Rated Capacity Max @5°F	Btu/h			Compressor With Electric Heater	Yes	
SEER2			27.5		Indoor & Outdoor Fin Coating	Acrylic Resin/Anti-Corrosion	
EER2			14.3		Intelligent Defrosting	Yes	
HSPF2			9.7		Intelligent Preheating	Yes	
COP @5°F					Low Voltage Startup	Yes	
COP @47°F			4.1		Memory/Power Failure Recovery	Yes	
Cooling Temperature Range		°F	-20 - 122		Self Diagnosis	Yes	
Heating Temperature Range		°F	-22 - 86		Wired Controller Interface	No	
Refrigerant Type			R32		WiFi Included	Yes	
<b>INDOOR UNIT</b>		<b>SAP18HP230V1R32AH</b>					
Air flow (Min-Max)	CFM		471 - 736		Indoor Fan Type	Crossflow	
Sound Pressure Level (Min - Max)	dB(A)		35 - 49		Multi Fan Speeds	7 Speeds	
Dehumidification	pt/hr		3.80		Indoor Unit Display	Yes	
External Dimensions (WxHxD)	in	43-45/64 × 13-21/32 × 10-1/8			Auxiliary Electrical Heater	No	
Package Dimension (W x H x D)	in	45-55/64 × 13-21/32 × 16-1/2			Ventilation (Outdoor Air)	No	
Net Weight	lbs		38.6		<b>REMOTE CONTROLLER FUNCTIONS</b>		
Gross Weight	lbs		45.2		Auto Mode	Yes	
<b>OUTDOOR UNIT</b>		<b>SAP18HP230V1R32AO</b>					
Sound Pressure Level	dB(A)		59		Auto Fan	Yes	
External Dimensions (W x H x D)	in	37 23/32 × 25 63/64 × 15 53/64			Auto Swing (Horizontal Auto Swing)	Yes	
Package Dimension (W x H x D)	in	40-5/8 × 29-1/64 × 17-61/64			Auto Swing (Vertical Auto Swing)	Yes	
Net Weight	lbs		94.8		Clock on Remote Controller	Yes	
Gross Weight	lbs		104.7		Dry Mode	Yes	
<b>REFRIGERANT PIPING</b>							
Refrigerant Charge	oz		47.6		Dry Anti-Mildew (X-Fan) Mode	Yes	
Additional Charge	oz/ft		0.4		Energy Saving Mode	No	
Line Set Size (Liquid - Gas) - Flared Connections	in	1/4 - 5/8			Dirty Filter Alert	No	
Pre-Charge Length	ft		25		I Feel Function	Yes	
Pipe Length (Min - Max)	ft		10 - 131		Lock on Remote Controller	Yes	
Max. Pipe Elevation	ft		82		Quiet Mode	Yes	
<b>ELECTRICAL</b>							
Power Supply	208-230V / 1Ph / 60Hz (Powered by the Outdoor Unit)						
Voltage Range (Min - Max)	VAC		187 - 253		Room Temperature Display	No	
Rated Current - Cooling	A		12.5		Sleep Mode	Yes	
Rated Current - Heating	A		16		4 Sleep Mode Options	Yes	
MCA	A		20		Timer Mode	Yes	
MOCP	A		25		Turbo Mode	Yes	
Suggested Breaker Size	A		20		Display On/Off Control	Yes	
Main Power Wire Size	AWG		Per Local Code		Freeze Guard Mode	No	
Interconnecting Wire Size	AWG		14 / 4		Humidity Control	Yes	

## DIMENSIONS

### INDOOR UNIT

Unit: inch

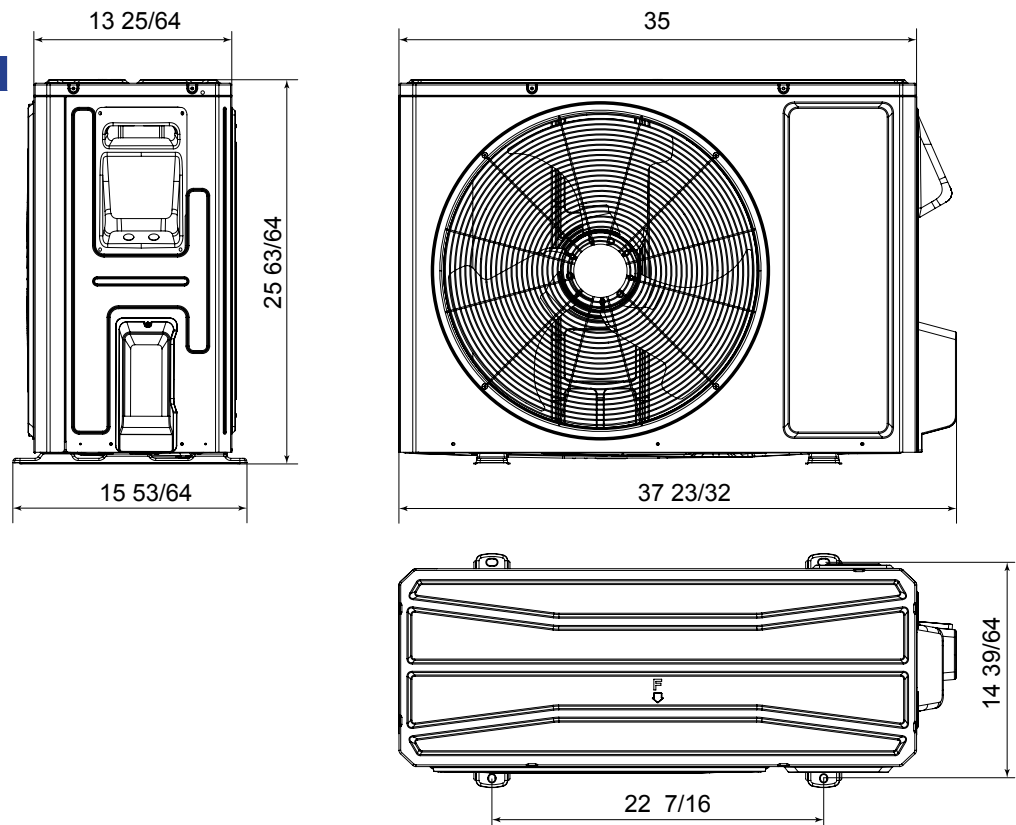
SAP18HP230V1R32AH	
DIMENSIONS	
W	43 45/64
H	13 21/32
D	10 1/8
W1	10 27/32
W2	22 7/64
W3	10 3/4



### OUTDOOR UNIT

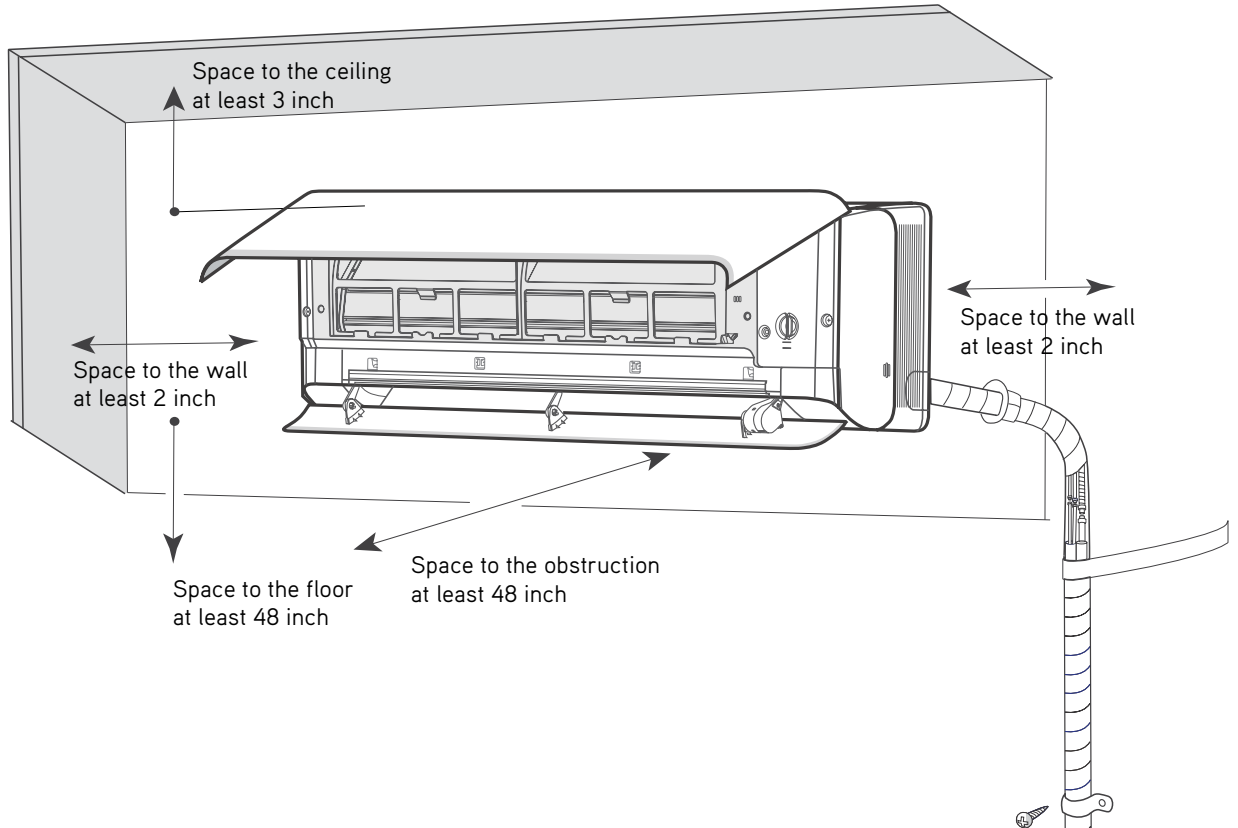
Unit: inch

SAP18HP230V1R32AO	
-------------------	--

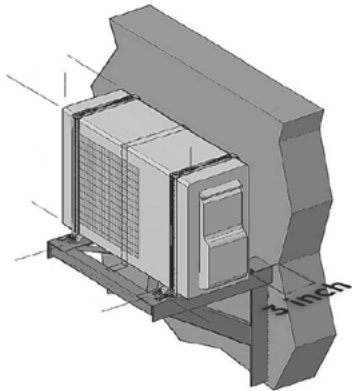


# CLEARANCES

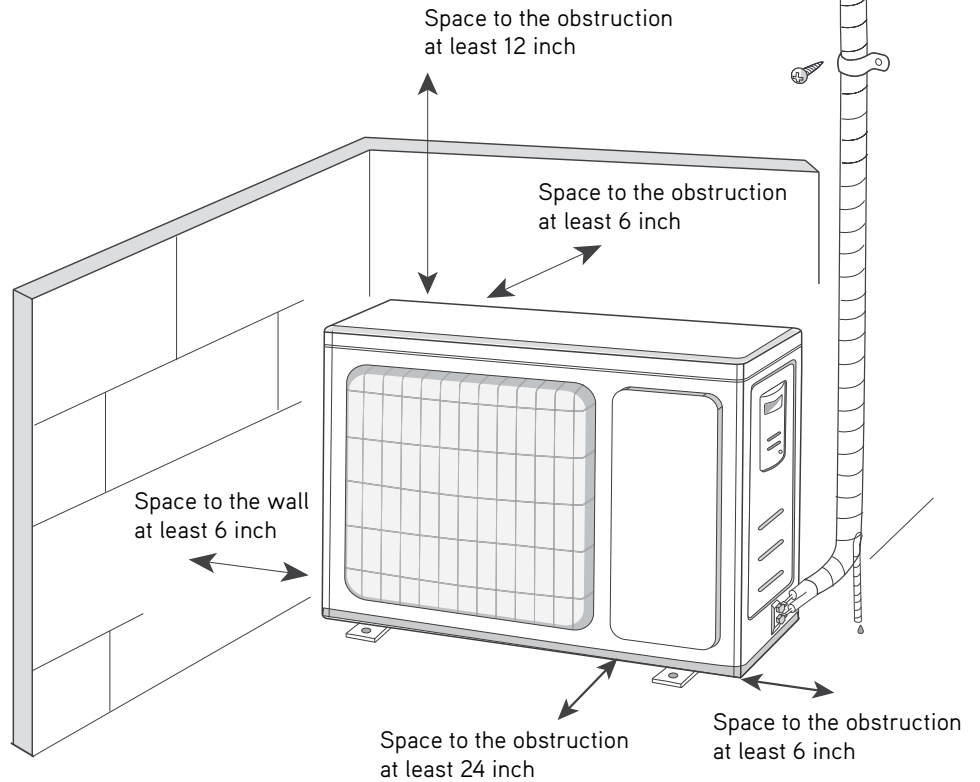
## INDOOR UNIT Minimum clearance



## OUTDOOR UNIT Minimum clearance



**NOTE:**  
If bottom of the unit is free of airflow obstructions similar to the mounting bracket figure, the clearance to the wall on the back can be reduced to 3 inches.



Specifications are subject to change without notice. Manufacturer reserves the right to discontinue or modify specifications or designs without notice or without incurring obligations. All Rights reserved.