





SUBMITTAL DATA

SAP24HP230V1R32AH / SAP24HP230V1R32AO
24000 BTU/H Wall Mounted Heat Pump System

Job Name		Location		Date	
Purchaser		Engineer			
Submitted to		For			
Unit Designation		Schedule No.			

			
YBE1FB9F	SAP24HP230V1R32AH	SAP24HP230V1R32AO	XE71 (Optional)

GENERAL FEATURES

- AHRI Certificate: ---
- New R32 Refrigerant
- High Efficiency DC Inverter Technology
- Elegant and Quiet Design
- Auto-Clean Function on Indoor Unit
- Wireless Remote with LCD Display
- Wired Controller Options
- Wi-Fi Included (Factory Installed)
- Low Ambient Cooling down to -20°F (Range -20°F to 122°F)
- Low Ambient Heating down to -22°F (Range -22°F to 86°F)
- Coil (Outdoor) Copper Tube/Aluminum Fin with Anti-Corrosion Coil Coating (Gold Colored Fin - 1500Hr Salt Spray Rating)
- Coil (Indoor) Copper Tube/Aluminum Fin with Anti-Corrosion Coil Coating (Blue Colored Fin - 500Hr Salt Spray Rating)

SPECIFICATIONS, FEATURES & FUNCTION SUMMARY

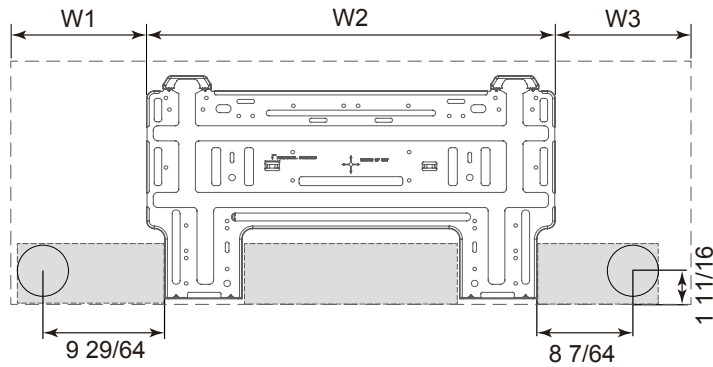
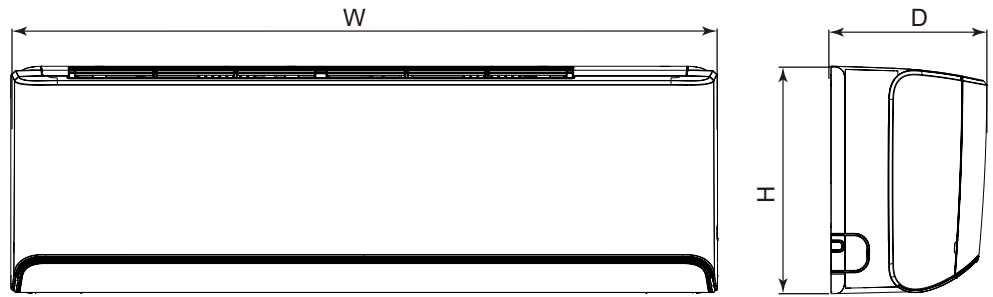
SPECIFICATIONS		SAP24HP230V1R32AH / SAP24HP230V1R32AO		FEATURES & FUNCTIONS SUMMARY		SAP24HP230V1R32AH / SAP24HP230V1R32AO	
System Type		HEAT PUMP					
SYSTEM PERFORMANCE				SYSTEM FEATURES			
Cooling	Min - Max	Btu/h	5800 - 31400		Inverter Type	G10	
	Capacity @95°F	Btu/h	22000		Ultra Low Frequency Torque Control	Yes	
Heating	Min - Max	Btu/h	5800 - 33100		Power Factor Correction	Yes	
	Rated Capacity @95°F	Btu/h	24000		Compressor Type	High Efficiency Two Stage Rotary	
	Rated Capacity @17°F	Btu/h			Basepan With Electric Heater	Yes	
	Rated Capacity Max @5°F	Btu/h			Compressor With Electric Heater	Yes	
SEER2			27.5		Indoor & Outdoor Fin Coating	Acrylic Resin/Anti-Corrosion	
EER2			14.0		Intelligent Defrosting	Yes	
HSPF2			10.0		Intelligent Preheating	Yes	
COP @5°F					Low Voltage Startup	Yes	
COP @47°F			3.9		Memory/Power Failure Recovery	Yes	
Cooling Temperature Range		°F	-20 - 122		Self Diagnosis	Yes	
Heating Temperature Range		°F	-22 - 86		Wired Controller Interface	No	
Refrigerant Type			R32		WiFi Included	Yes	
INDOOR UNIT		SAP24HP230V1R32AH					
Air flow (Min-Max)		CFM	353 - 765		Indoor Fan Type	Crossflow	
Sound Pressure Level (Min - Max)		dB(A)	36 - 53		Multi Fan Speeds	7 Speeds	
Dehumidification		pt/hr	7.40		Indoor Unit Display	Yes	
External Dimensions (WxHxD)		in	43-45/64 × 13-21/32 × 10-1/8		Auxiliary Electrical Heater	No	
Package Dimension (W x H x D)		in	45-55/64 × 13-21/32 × 16-1/2		Ventilation (Outdoor Air)	No	
Net Weight		lbs	39.7		REMOTE CONTROLLER FUNCTIONS		
Gross Weight		lbs	46.3		Auto Mode	Yes	
OUTDOOR UNIT		SAP24HP230V1R32AO					
Sound Pressure Level		dB(A)	62		Auto Fan	Yes	
External Dimensions (W x H x D)		in	39 3/8 × 29 3/8 × 16 13/16		Auto Swing (Horizontal Auto Swing)	Yes	
Package Dimension (W x H x D)		in	42-33/64 × 31-57/64 × 19-1/64		Auto Swing (Vertical Auto Swing)	Yes	
Net Weight		lbs	115.8		Clock on Remote Controller	Yes	
Gross Weight		lbs	126.8		Dry Mode	Yes	
REFRIGERANT PIPING							
Refrigerant Charge		oz	56.4		Dry Anti-Mildew (X-Fan) Mode	Yes	
Additional Charge		oz/ft	0.4		Energy Saving Mode	No	
Line Set Size (Liquid - Gas) - Flared Connections		in	1/4 - 5/8		Dirty Filter Alert	No	
Pre-Charge Length		ft	25		I Feel Function	Yes	
Pipe Length (Min - Max)		ft	10 - 131		Lock on Remote Controller	Yes	
Max. Pipe Elevation		ft	82		Quiet Mode	Yes	
ELECTRICAL							
Power Supply		208-230V / 1Ph / 60Hz (Powered by the Outdoor Unit)					
Voltage Range (Min - Max)		VAC	187 - 253		Room Temperature Display	No	
Rated Current - Cooling		A	14		Sleep Mode	Yes	
Rated Current - Heating		A	21.5		4 Sleep Mode Options	Yes	
MCA		A	25		Timer Mode	Yes	
MOCP		A	40		Turbo Mode	Yes	
Suggested Breaker Size		A	25		Display On/Off Control	Yes	
Main Power Wire Size		AWG	Per Local Code		Freeze Guard Mode	No	
Interconnecting Wire Size		AWG	14 / 4		Humidity Control	Yes	

DIMENSIONS

INDOOR UNIT

Unit: inch

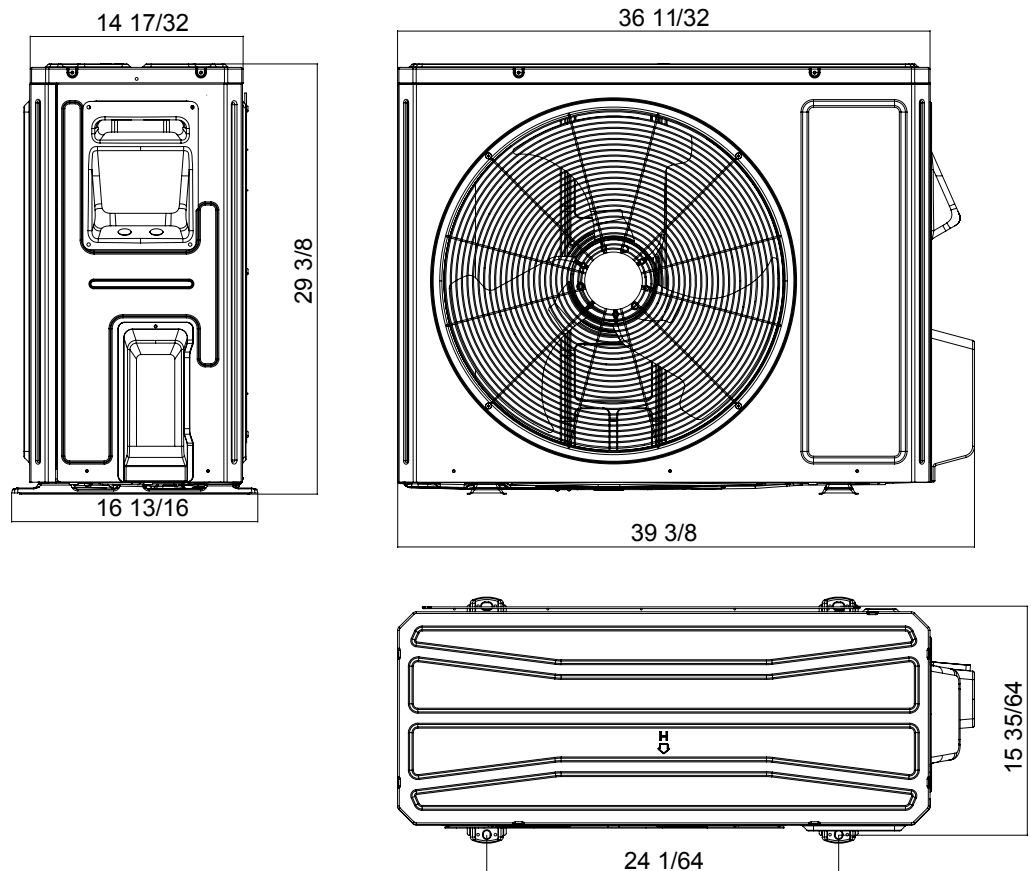
SAP24HP230V1R32AH	
DIMENSIONS	
W	43 45/64
H	13 21/32
D	10 1/8
W1	10 27/32
W2	22 7/64
W3	10 3/4



OUTDOOR UNIT

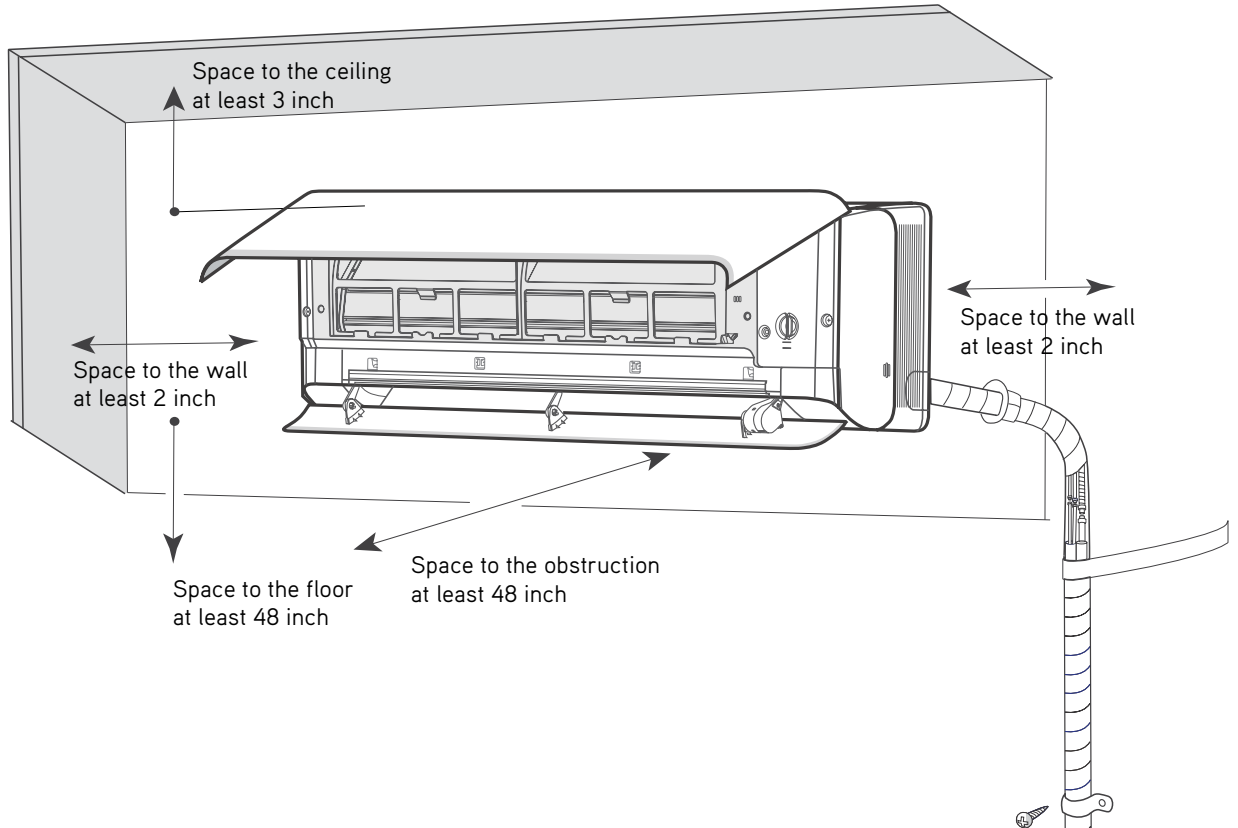
Unit: inch

SAP24HP230V1R32AO	
-------------------	--

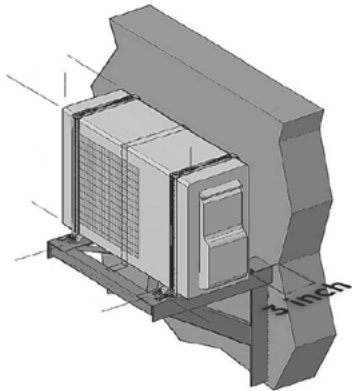


CLEARANCES

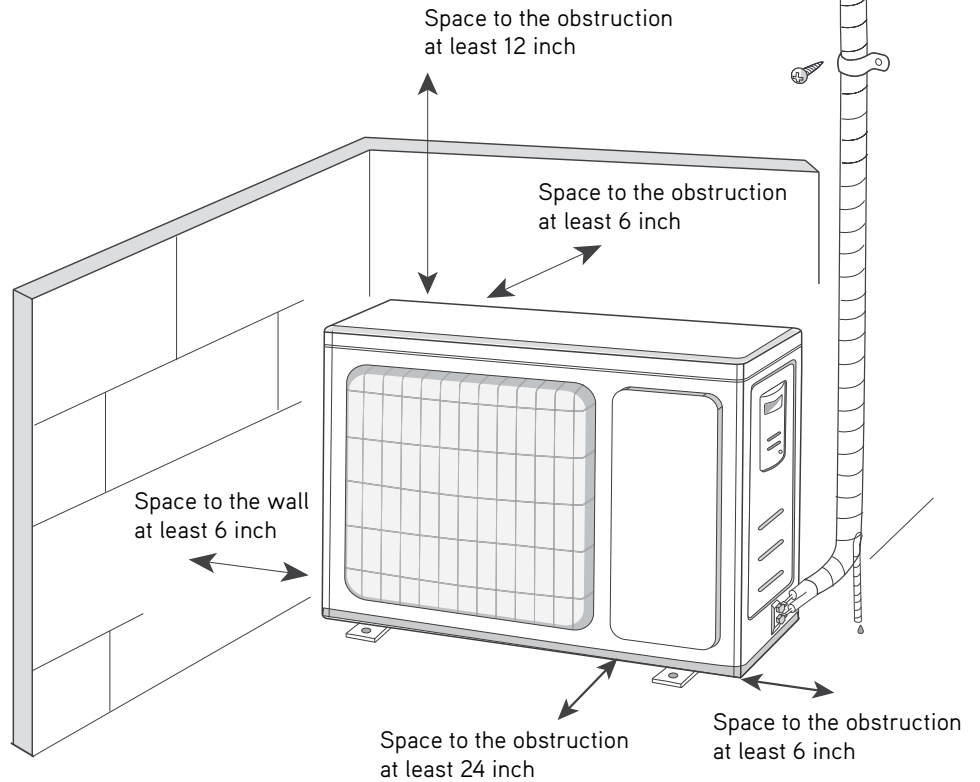
INDOOR UNIT Minimum clearance



OUTDOOR UNIT Minimum clearance



NOTE:
If bottom of the unit is free of airflow obstructions similar to the mounting bracket figure, the clearance to the wall on the back can be reduced to 3 inches.



Specifications are subject to change without notice. Manufacturer reserves the right to discontinue or modify specifications or designs without notice or without incurring obligations. All Rights reserved.