

SUBMITTAL DATA

SAP12HP230V1AH for Use with Multi GEN2 and Multi+ Ultra
12000 BTU/H Wall Mounted Unit

Job Name

Location

Date

Purchaser

Engineer

Submitted to

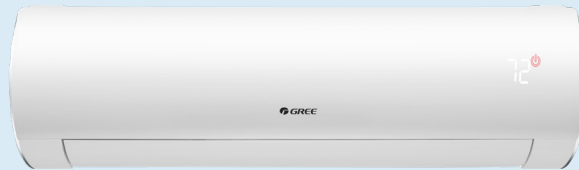
For

Unit Designation

Schedule No.



YAG1FB2F



SAP12HP230V1AH



XE71 (Optional)

GENERAL FEATURES

- High Efficiency DC Inverter Technology
- Elegant and Quiet Design
- Auto-Clean Function on Indoor Unit
- Wireless Remote with LCD Display
- Wired Controller Options
- Wi-Fi Included (Factory Installed)
- Low Ambient Cooling Based on Outdoor Unit Performance
- Low Ambient Heating Based on Outdoor Unit Performance
- Coil (Outdoor) Copper Tube/Aluminum Fin with Anti-Corrosion Coil Coating (Gold Colored Fin - 1500Hr Salt Spray Rating)
- Coil (Indoor) Copper Tube/Aluminum Fin with Anti-Corrosion Coil Coating (Blue Colored Fin - 500Hr Salt Spray Rating)

SPECIFICATIONS, FEATURES & FUNCTION SUMMARY

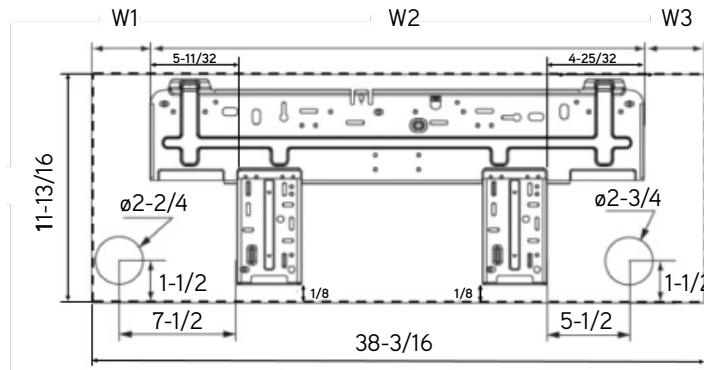
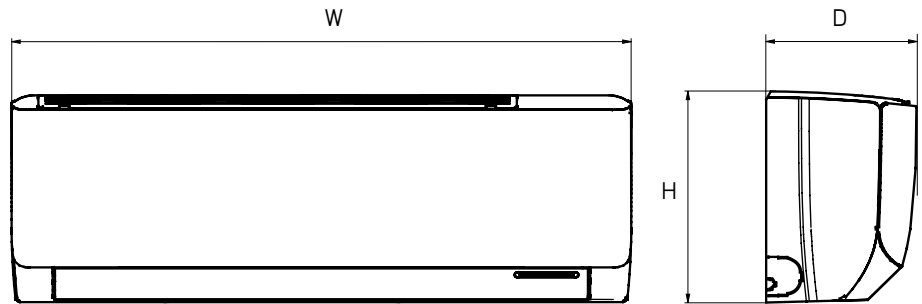
SPECIFICATIONS		SAP12HP230V1AH		FEATURES & FUNCTIONS SUMMARY		SAP12HP230V1AH	
System Type		HEAT PUMP					
SYSTEM PERFORMANCE				SYSTEM FEATURES			
Cooling	Nominal	Btu/h	12000	Wired Controller Interface	No		
	Capacity @95°F	Btu/h		WiFi Included	Yes		
Heating	Nominal	Btu/h	12200	Indoor Fan Type	Crossflow		
	Capacity @5°F	Btu/h		Multi Fan Speeds	7 Speeds		
	Capacity @17°F	Btu/h		Indoor Unit Display	Yes		
	Capacity @47°F	Btu/h		Auxiliary Electrical Heater	No		
SEER2				Ventilation (Outdoor Air)	No		
EER2				REMOTE CONTROLLER FUNCTIONS			
HSPF2				Auto Mode	Yes		
COP @5°F				Auto Fan	Yes		
COP @47°F				Auto Swing (Horizontal Auto Swing)	Yes		
Cooling Temperature Range	°F			Auto Swing (Vertical Auto Swing)	Yes		
Heating Temperature Range	°F			Clock on Remote Controller	Yes		
Refrigerant Type	R410A			Dry Mode	Yes		
INDOOR UNIT		SAP12HP230V1AH		Dry Anti-Mildew (X-Fan) Mode	Yes		
Air flow (Min-Max)	CFM	235 - 500		Energy Saving Mode	No		
Sound Pressure Level (Min - Max)	dB(A)	22 - 49		Dirty Filter Alert	No		
Dehumidification	pt/hr	2.96		I Feel Function	Yes		
External Dimensions (WxHxD)	in	39-7/8 x 12-1/8 x 8-3/4		Lock on Remote Controller	Yes		
Package Dimension (W x H x D)	in	42-7/16 x 14-13/16 x 11-13/16		Quiet Mode	Yes		
Net Weight	lbs	29.8		Room Temperature Display	No		
Gross Weight	lbs	36.4		Sleep Mode	Yes		
REFRIGERANT PIPING				4 Sleep Mode Options	Yes		
Line Set Sized by the Indoor Unit (Liquid - Gas) - Flared Connections	in	1/4 - 1/2		Timer Mode	Yes		
ELECTRICAL				Turbo Mode	Yes		
Power Supply	208-230V / 1Ph / 60Hz (Powered by the Outdoor Unit)			Display On/Off Control	Yes		
				Freeze Guard Mode	No		

DIMENSIONS & CLEARANCES

INDOOR UNIT

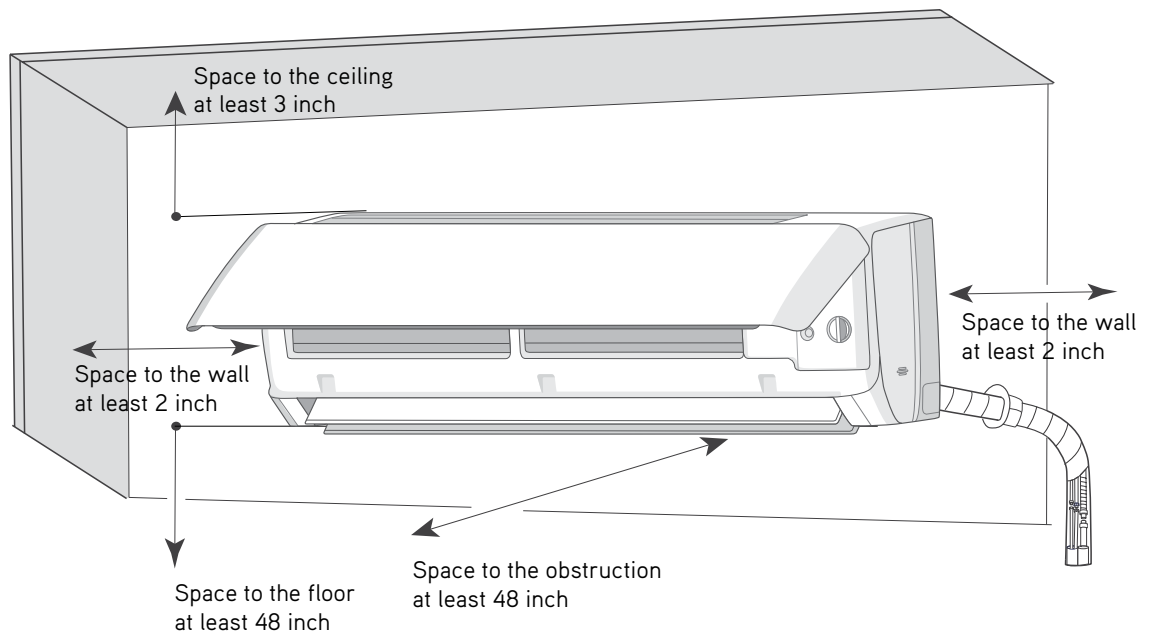
Unit: inch

SAP12HP230V1AH	
DIMENSIONS	
W	39-7/8
H	12-1/8
D	8-3/4
W1	4
W2	27
W3	7-3/16



INDOOR UNIT

Minimum clearance



Specifications are subject to change without notice. Manufacturer reserves the right to discontinue or modify specifications or designs without notice or without incurring obligations. All Rights reserved.

GREECOMFORT.COM/SYSTEM-DOCUMENTATION