



SUPER⁺ MULTI



PARTS MANUAL

Outdoor Unit

MODELS:

MULTI48HP230V1AO

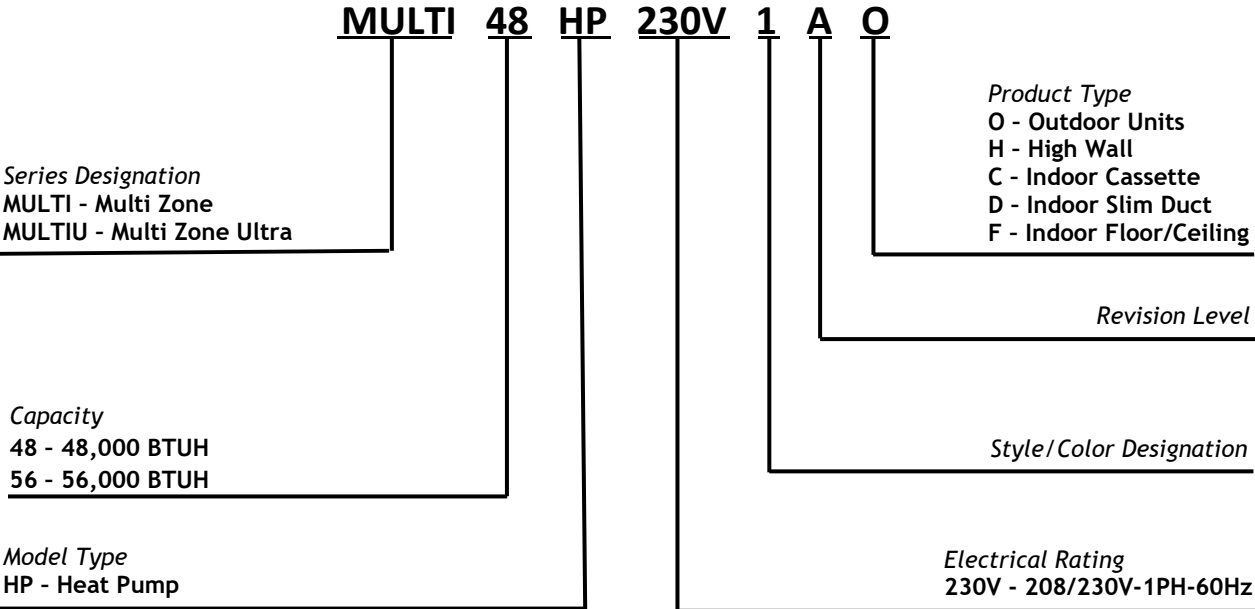
MULTI56HP230V1AO

Thank you for choosing our product.
Please read this Parts Manual carefully before operation and
retain it for future reference.

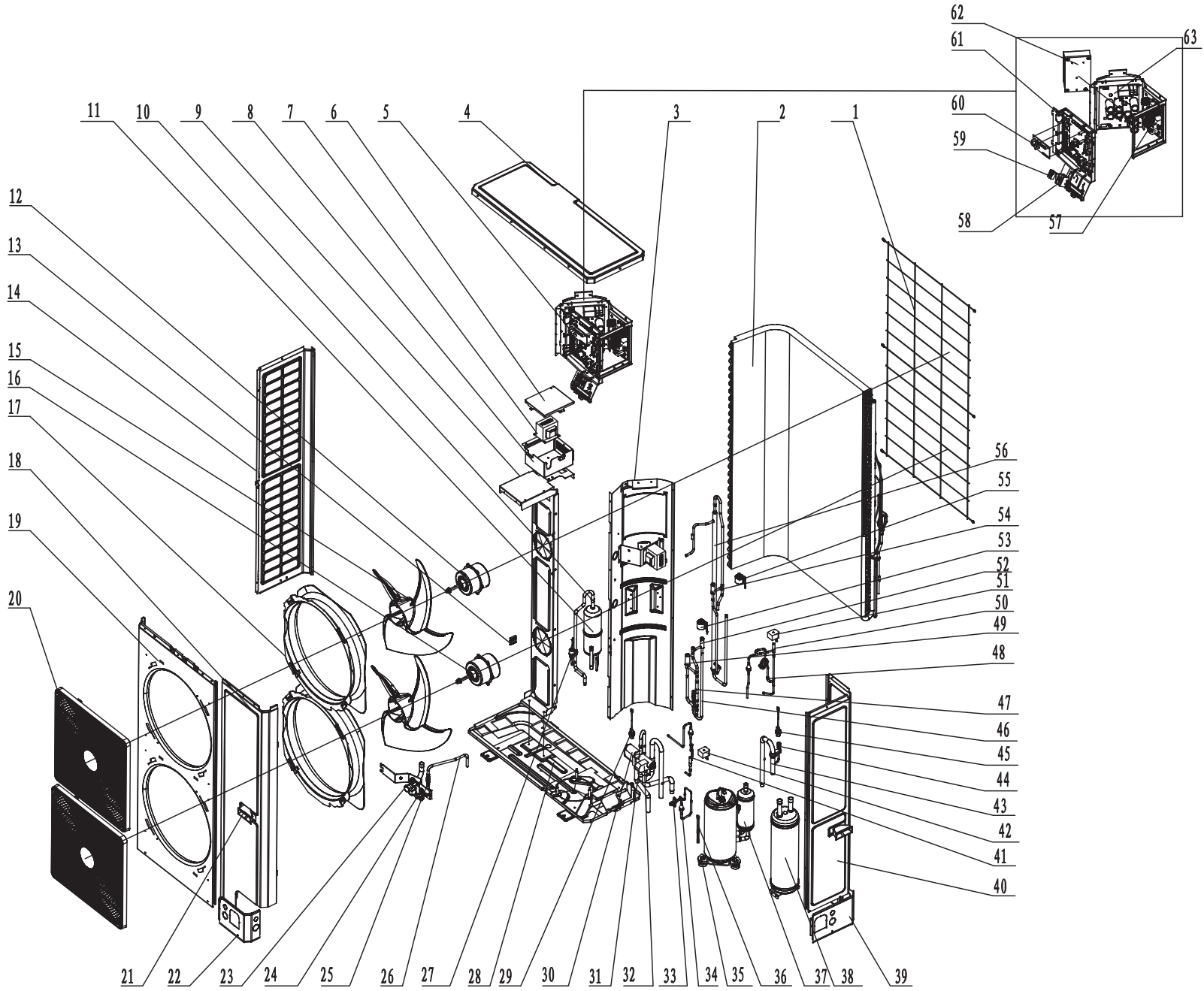
If you lose this Manual, please contact your local distributor or
visit www.greecomfort.com/resources now to download and
file the electronic version.

Nomenclature

EXAMPLE: MULTI48HP230V1AO



MULTI48HP230V1AO



MULTI48HP230V1AO

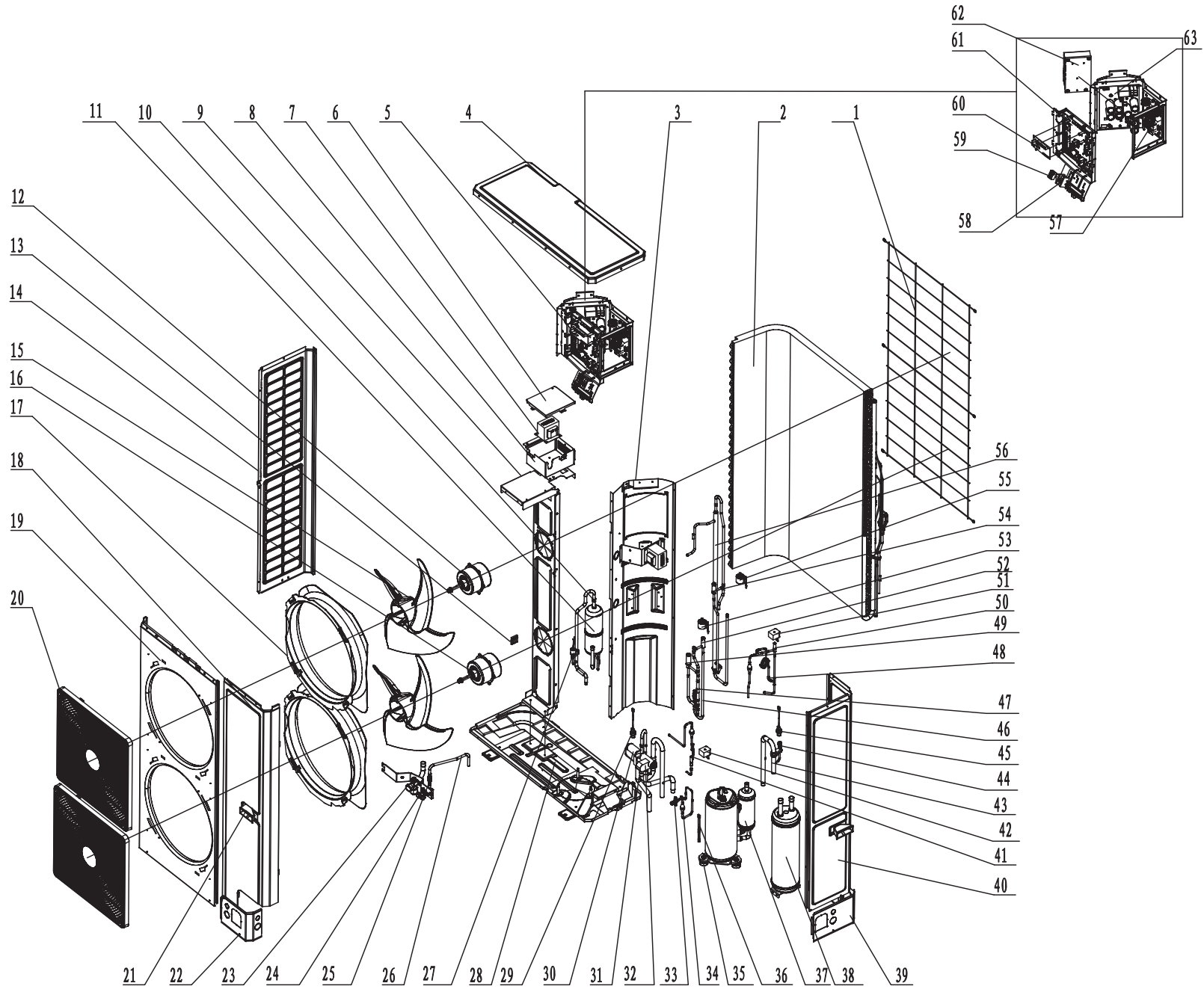
NO.	Part Description	Qty	Part Code
1	Rear Grille	1	01574100004
2	Condenser Coil Assy	1	01124100102
3	Clapboard Sub-Assy	1	01244100011
4	Coping Sub-Assy	1	01264100019
5	Electric Box Assy	1	01395200307
6	Electric Box Cover	1	01424100030
7	Reactor/PFC Inductance	1	43138004
8	Inductance Sub-Assy	1	01394100064
9	Motor Support Sub-Assy	1	01804100178
10	Discharge Tube Sub-Assy	1	04534100021
11	Oil Separator	1	07424105
12	Fan Motor	1	15704115
13	Temperature Sensor Assembly**	1	39008252G
14	Left Side Plate	1	01314100013P
15	Axial Flow Fan	2	10434100003
16	Fan Motor	1	1570411501
17	Diversion Circle	2	10474100001
18	Front Side Plate	1	01314100012P
19	Cabinet	1	01514100002P
20	Front Grille	2	01574100009
21	Handle	2	26904100016
22	Front Connection Board	1	01344100002P
23	5/8-in Gas/Suction Valve	1	07334100016
24	3/8-in Liquid Line Valve	1	07330000002
25	Strainer	1	07212001
26	Cut off Valve Sub-Assy	1	07304100011
27	High Pressure Protect Switch	1	4602000902
28	Chassis Sub-Assy	1	01194100046
29	Sensor (High Pressure)	1	322101032
30	4-Way Valve	1	43000338
31	4-Way Valve Assy	1	04045200066
32	4-Way Valve Solenoid Coil	1	4300040029
33	Nozzle for Adding Freon	1	06135201
34	Strainer A	1	07210022
35	Compressor Grommet	3	76710247
36	Base Pan Heater (Chassis)	1	7651000413
37	Compressor	1	0020410000101
N/A	Compressor Crankcase Heater	1	7651521216
38	Gas-Liquid Separator	1	07424100014
39	Right Connection Board	1	01344100003P
40	Rear Side Plate	1	01314100014P
41	Gas Bypass Valve Sub-Assy	1	07334100018
42	Magnet Coil	1	4304000405
43	Inhalation Tube Sub-Assy	1	04574100011

MULTI48HP230V1AO

NO.	Part Description	Qty	Part Code
44	Nozzle for Adding Freon	1	06120012
45	Sensing Device	1	322101002
46	Electric Expansion Valve Sub-Assy	1	43044100022
47	One Way Valve	1	07130101
48	Capillary Sub-Assy (Oil Returning)	1	04004100011
49	Discharge Charge Valve	1	07334100002
50	Electromagnetic Valve	1	43000054
51	Magnet Coil	1	4304000415
52	Electronic Expansion Valve A	1	07334412
53	Electronic Expansion Valve Solenoid A	1	4304413208
54	Electronic Expansion Valve B	1	43042800005
55	Electronic Expansion Valve Solenoid B	1	4304413205
56	Over-Cooling Pipe Sub-Assy	1	04534100044
57	Filter Board	1	30228000016
58	Terminal Board	1	420111451
59	Terminal Board	1	42011154
60	Testing Board	1	30118000003
61	Main Control Board	1	30226000049
62	Heat Sink/Radiator	1	49018000010
63	Drive Board	1	30118000004

** Temperature Sensor Assembly contains Discharge, Coil, & Ambient sensors.

MULTI56HP230V1AO



MULTI56HP230V1AO

NO.	Part Description	Qty	Part Code
1	Rear Grille	1	01574100004
2	Condenser Coil Assy	1	01124100102
3	Clapboard Sub-Assy	1	01244100011
4	Coping Sub-Assy	1	01264100019
5	Electric Box Assy	1	01395200308
6	Electric Box Cover	1	01424100030
7	Reactor/PFC Inductance	1	43138004
8	Inductance Sub-Assy	1	01394100064
9	Motor Support Sub-Assy	1	01804100178
10	Discharge Tube Sub-Assy	1	04534100021
11	Oil Separator	1	07424105
12	Fan Motor	1	15704115
13	Temperature Sensor Assembly**	1	39008252G
14	Left Side Plate	1	01314100013P
15	Axial Flow Fan	2	10434100003
16	Fan Motor	1	1570411501
17	Diversion Circle	2	10474100001
18	Front Side Plate	1	01314100012P
19	Cabinet	1	01514100002P
20	Front Grille	2	01574100009
21	Handle	2	26904100016
22	Front Connection Board	1	01344100002P
23	5/8-in Gas/Suction Valve	1	07334100016
24	3/8-in Liquid Line Valve	1	07330000002
25	Strainer	1	07212001
26	Cut off Valve Sub-Assy	1	07304100011
27	High Pressure Protect Switch	1	4602000902
28	Chassis Sub-Assy	1	01194100045P
29	Sensor (High Pressure)	1	322101032
30	4-Way Valve	1	43000338
31	4-Way Valve Assy	1	04045200066
32	4-Way Valve Solenoid Coil	1	4300040029
33	Nozzle for Adding Freon	1	06135201
34	Strainer A	1	07210022
N/A	Base Pan Heater (Chassis)	1	7651000413
35	Compressor Grommet	3	76710247
36	Compressor Crankcase Heater	1	7651521216
37	Compressor	1	0020410000101
38	Gas-Liquid Separator	1	07424100014
39	Right Connection Board	1	01344100003P
40	Rear Side Plate	1	01314100014P
41	Gas Bypass Valve Sub-Assy	1	07334100018
42	Magnet Coil	1	4304000405
43	Inhalation Tube Sub-Assy	1	04574100011

MULTI56HP230V1AO

NO.	Part Description	Qty	Part Code
44	Nozzle for Adding Freon	1	06120012
45	Sensing Device	1	322101002
46	Electric Expansion Valve Sub-Assy	1	43044100022
47	One Way Valve	1	07130101
48	Capillary Sub-Assy(Oil Returning)	1	04004100011
49	Discharge Charge Valve	1	07334100002
50	Electromagnetic Valve	1	43000054
51	Magnet Coil	1	4304000415
52	Electronic Expansion Valve A	1	07334412
53	Electronic Expansion Valve Solenoid A	1	4304413208
54	Electronic Expansion Valve B	1	43042800005
55	Electronic Expansion Valve Solenoid B	1	4304413205
56	Over-Cooling Pipe Sub-Assy	1	04534100044
57	Filter Board	1	30228000016
58	Terminal Board	1	420111451
59	Terminal Board	1	42011154
60	Testing Board	1	30118000003
61	Main Control Board	1	30226000050
62	Heat Sink/Radiator	1	49018000010
63	Drive Board	1	30118000004

** Temperature Sensor Assembly contains Discharge, Coil, & Ambient sensors.



U.S. CONTACT INFORMATION TRADEWINDS, LLC

E-mail: info@twclimate.com

Contractor Support: 888-850-7928 | Mon-Fri 8 AM - 5 PM EDT

GREECOMFORT.COM