

SUBMITTAL DATA

FLR09HP230V1BF for Use with Multi GEN2 and Multi+ Ultra
9000 BTU/H Floor/Ceiling Unit

Job Name <input type="text"/>	Location <input type="text"/>	Date <input type="text"/>
Purchaser <input type="text"/>	Engineer <input type="text"/>	
Submitted to <input type="text"/>	For <input type="text"/>	
Unit Designation <input type="text"/>	Schedule No. <input type="text"/>	



YAP1FB2F



FLR09HP230V1BF



XE72

GENERAL FEATURES

- Quiet Operation and Multi-Speed Fan
- Floor Stand or Ceiling Mount
- Multi-Directional Air Flow
- Wireless Remote with LCD Display Included
- XE72 Wi-Fi Wired Controller Included
- Low Ambient Cooling Based on Outdoor Unit Performance
- Low Ambient Heating Based on Outdoor Unit Performance
- Coil (Indoor and Outdoor) Copper Tube / Aluminum Fin
- Blue Colored Fin - 500 Hrs Salt Spray Tested

SPECIFICATIONS, FEATURES & FUNCTION SUMMARY

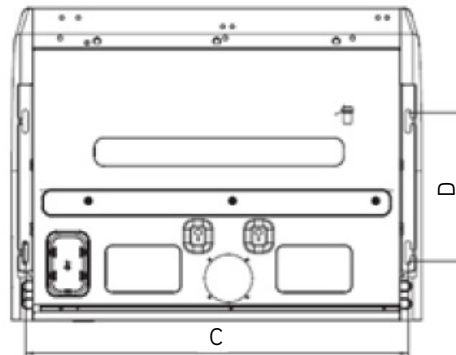
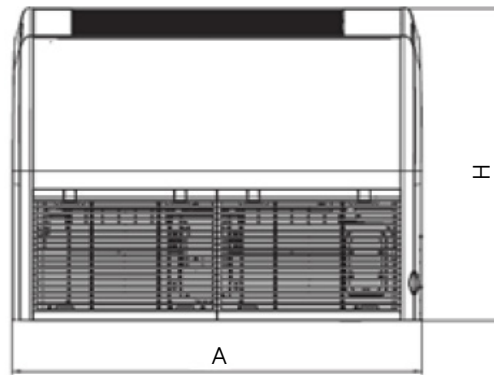
SPECIFICATIONS		FLR09HP230V1BF		FEATURES & FUNCTIONS SUMMARY		FLR09HP230V1BF	
System Type		HEAT PUMP					
SYSTEM PERFORMANCE				SYSTEM FEATURES			
Cooling	Nominal	Btu/h	9100	Wired Controller Interface	Yes		
	Capacity @95°F	Btu/h		WiFi Included	No		
Heating	Nominal	Btu/h	11000	Indoor Fan Type	Centrifugal		
	Capacity @5°F	Btu/h		Multi Fan Speeds	4 Speeds		
	Capacity @17°F	Btu/h		Indoor Unit Display	Yes		
	Capacity @47°F	W		Auxiliary Electrical Heater	No		
SEER2				Ventilation (Outdoor Air)	No		
EER2				REMOTE CONTROLLER FUNCTIONS			
HSPF2				Auto Mode	Yes		
COP @5°F	System Performance Based on the Connected Outdoor Unit Performance			Auto Fan	Yes		
COP @47°F				Auto Swing (Horizontal Auto Swing)	No		
Cooling Temperature Range	°F			Auto Swing (Vertical Auto Swing)	Yes		
Heating Temperature Range	°F			Clock	Yes		
Refrigerant Type			R410A	Dry Mode	Yes		
INDOOR UNIT		FLR09HP230V1BF		Dry Anti-Mildew (X-Fan) Mode	Yes		
Air flow (Min-Max)	CFM	257 - 412		Energy Saving Mode	Yes		
Sound Pressure Level (Min - Max)	dB(A)	26 - 38		Dirty Filter Alert	No		
Dehumidification	pt/hr	1.7		Fan Speed Control (4 Speeds)	Yes		
External Dimensions (W x H x D)	in	34-1/4 x 26-1/4 x 9-1/4		I Feel Function	Yes		
Package Dimension (W x H x D)	in	40-1/2 x 30-1/4 x 11-1/4		Privacy Lock	Yes		
Net Weight	lbs	55.0		Quiet Mode	Yes		
Gross Weight	lbs	66.2		Room Temperature Display	No		
REFRIGERANT PIPING				Sleep Mode (Normal Sleep)	Yes		
Line Set Size by Indoor Unit (Liquid - Gas)	in	1/4 - 3/8		4 Sleep Mode Options	No		
ELECTRICAL				Timer Mode	Yes		
Power Supply	208-230V / 1Ph / 60Hz (Powered by the Outdoor Unit)			Turbo Mode	Yes		
				Display On/Off Control	Yes		
				Freeze Guard Mode	Yes		
				Power Failure Mode	Yes		

DIMENSIONS & CLEARANCES

INDOOR UNIT

Unit: inch

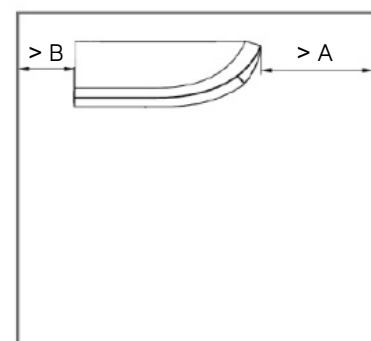
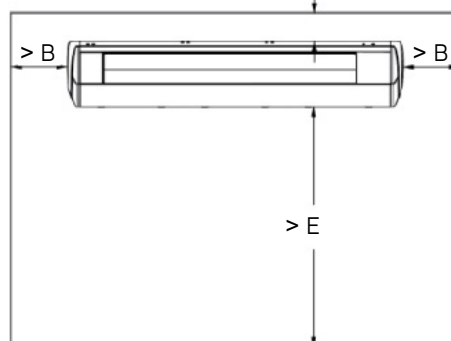
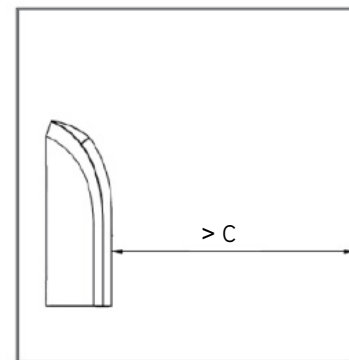
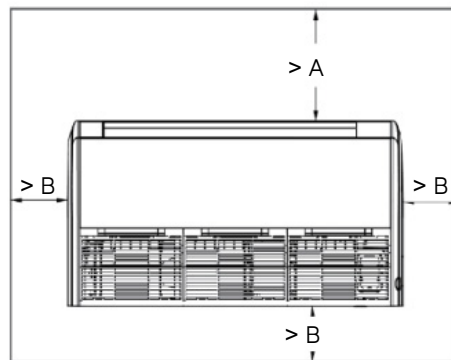
FLR09HP230V1BF	
DIMENSIONS	
A	34-1/4
B	9-1/4
C	32
D	12-1/2
H	26-1/4



INDOOR UNIT

Minimum clearance

DIMENSIONS	
A	60
B	12
C	39
D	6
E	90



Specifications are subject to change without notice. Manufacturer reserves the right to discontinue or modify specifications or designs without notice or without incurring obligations. All Rights reserved.

GREECOMFORT.COM/SYSTEM-DOCUMENTATION