

SPECIFICATIONS

3VIR18HP230V1AO / 3VIR18HP230V1AH

System Type		HEAT PUMP	
SYSTEM PERFORMANCE			
Cooling	Rated Capacity @ 95°F	Btu/h	18000
	Min-Max Capacity	Btu/h	5118 - 23202
	Rated Power Input (Min - Max)	W	90 - 2300
Heating	Rated Capacity @ 47°F	Btu/h	18200
	Rated Capacity @ 17°F	Btu/h	12500
	Min-Max Capacity	Btu/h	5800 - 23543
	Rated Power Input (Min - Max)	W	250 - 2600
SEER / EER		23 / 13	
HSPF / COP		11 / 3.65	
Energy Star®		YES	
Cooling Temperature Range		°F	-20 - 122
Heating Temperature Range		°F	-22 - 86
INDOOR UNIT		3VIR18HP230V1AH	
Fan Motor Output Power		W	60
Fan Motor FLA		amps	0.25
Air Flow (Min - Max)		CFM	353 - 618
Sound Pressure Level (Cooling / Heating)		dB(A)	31 - 46
Dehumidification		pt/hr	3.8
Condensate Drain Size (OD)		in	5 / 8
Unit Dimension (WxHxD)		in	38 5/8 X 12 1/4 X 8 3/4
Package Dimension (WxHxD)		in	44 7/16 X 16 X 12 3/4
Weight (Net / Gross)		lbs	30 / 35.3
OUTDOOR UNIT		3VIR18HP230V1AO	
Compressor Type		G-10 / 1-Stage Inverter	
Compressor RLA		amps	10.4
Fan Motor Output Power		W	60
Fan Motor RLA		amps	0.45
Sound Pressure Level (Cooling / Heating)		dB(A)	57
Unit Dimension (WxHxD)		in	38 X 27 5/8 X 15 5/8
Package Dimension (WxHxD)		in	40 1/2 X 29 X 18
Weight (Net / Gross)		lbs	103.6 / 113.6
Refrigerant Charge - R410A		oz	56.4
Coil Type		Aluminum Fin / Copper Tube	
REFRIGERANT PIPING			
Line Set Size (Liquid - Gas)		in	1/4 - 5/8
Pre-Charge Lengh		ft	25
Pipe Length (Min - Max)		ft	10 / 98
Max. Pipe Elevation		ft	66
ELECTRICAL			
Power Supply (Voltage Operating Range)		208-230V / 1Ph / 60Hz	
Rated Current (Cooling / Heating)		amps	6 / 12
MCA / MOCP		amps	15 / 20
Main Power Wire Size		AWG	Size Per Local Code
Interconnecting Wire Size		AWG	14 / 4
LIMITED WARRANTY		5 Years Parts, 7 Years Compressor - Residential & Commercial	

EXTENDED RATINGS

3VIR18HP230V1AO / 3VIR18HP230V1AH

COOLING PERFORMANCE						HEATING PERFORMANCE				
Outdoor Ambient Temperature (DB)		Return Air Temperature				Outdoor Ambient Temperature (DB)		Return Air Temperature		
		80°F (DB)						70°F (DB)		
		TC (Btu/h)	SHR	EER	Power Input (W)			TC (Btu/h)	COP	Power Input (W)
MAX OUTPUT	-20°F	11253	8338	11.60	970	MAX OUTPUT	-22°F	12100	1.56	2280
	-15°F	11586	8597	11.70	990		-20°F	12399	1.58	2300
	-10°F	12030	8938	11.81	1019		-15°F	12745	1.61	2320
	-5°F	12337	9179	11.87	1039		-10°F	13094	1.64	2340
	0°F	12647	9422	11.94	1059		-5°F	13434	1.67	2360
	5°F	12960	9685	12.01	1079		0°F	13997	1.73	2380
	10°F	13320	10035	12.08	1103		5°F	14560	1.79	2385
	15°F	14020	10620	12.15	1154		10°F	16137	1.97	2401
	20°F	14316	10765	12.22	1172		15°F	16560	2.02	2408
	25°F	14416	10825	12.25	1177		17°F	16890	2.05	2415
	30°F	14670	11075	12.26	1197		20°F	17350	2.11	2420
	35°F	15093	11410	12.35	1222		25°F	17640	2.23	2320
	40°F	15560	11779	12.49	1246		30°F	17970	2.42	2180
	45°F	15795	11972	12.59	1255		35°F	18150	2.71	1960
	50°F	16020	12150	12.66	1265		40°F	19890	2.84	2050
	55°F	16412	12440	12.73	1289		45°F	21252	2.88	2160
	60°F	16920	12955	12.63	1340		47°F	18200	3.65	1460
	65°F	17071	13077	12.56	1359		50°F	23100	3.11	2177
	70°F	17420	13378	12.45	1399		55°F	21945	3.20	2010
	75°F	18532	14270	12.29	1508		60°F	18744	3.27	1680
	80°F	21060	16216	11.98	1758		65°F	18036	3.36	1580
	85°F	23400	18332	11.82	1980		70°F	17290	3.49	1450
	90°F	22519	17565	11.26	2000		75°F	16771	3.64	1350
	95°F	18000	14101	13.01	1384		80°F	15940	3.68	1270
100°F	20942	16334	10.22	2050	86°F	15443	3.71	1220		
105°F	19976	15581	9.79	2040						
110°F	17827	13898	8.77	2033						
115°F	17113	13368	8.22	2083						
120°F	15401	11959	7.68	2006						
122°F	13183	10219	7.16	1840						

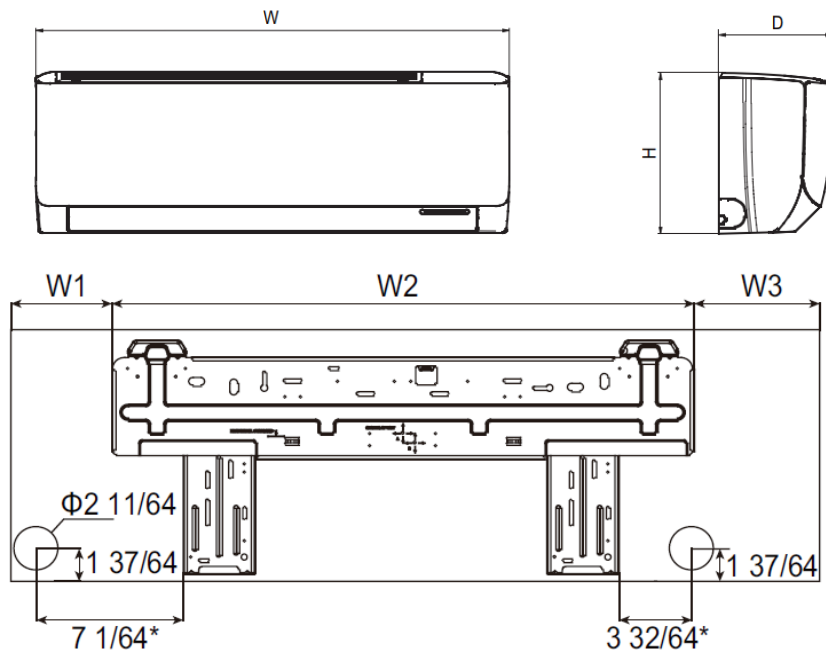
LEGEND: W - Watts
 DB - Dry Bulb
 TC - Total Capacity
 SHR - Sensible Heat Ratio
 COP - Coefficient of Performance

FEATURES & FUNCTIONS SUMMARY

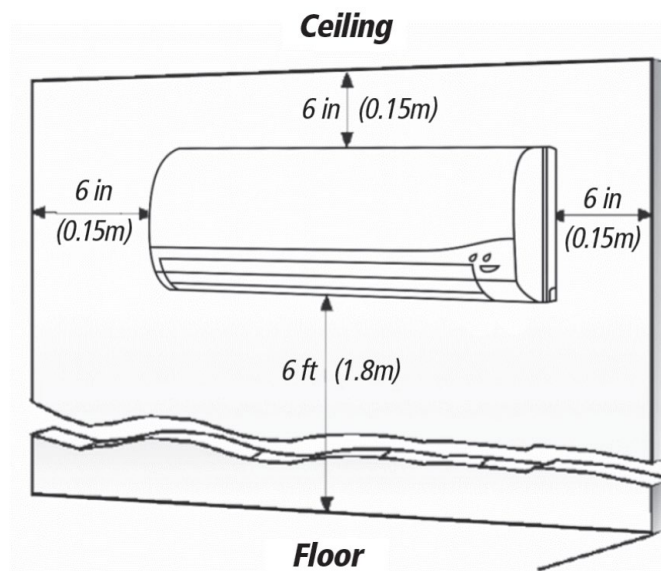
3VIR18HP230V1AO / 3VIR18HP230V1AH

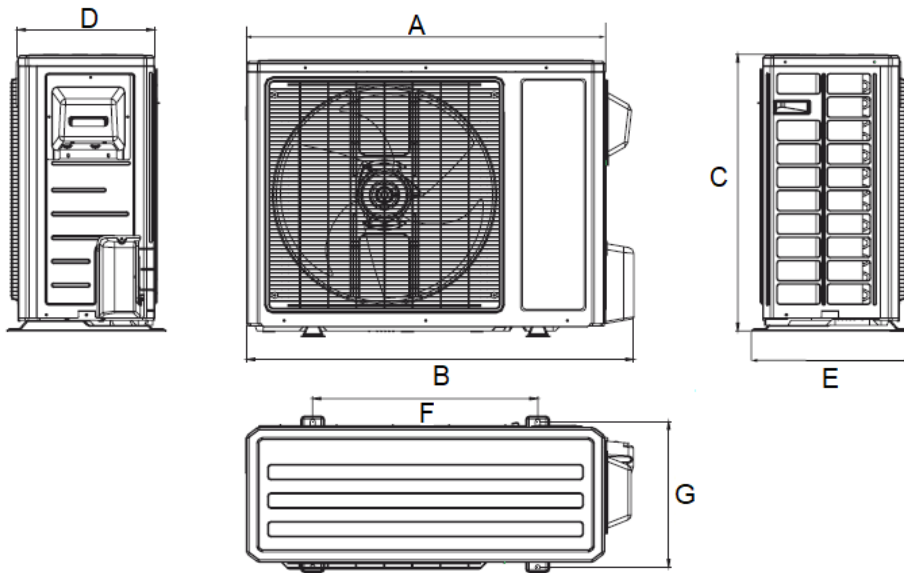
SYSTEM FEATURES	
Inverter Type	G10
Ultra Low Frequency Torque Control	Yes
Power Factor Correction	Yes
Compressor Type - Inverter	High Efficiency Rotary
Basepan With Electric Heater	Yes
Indoor & Outdoor Fin Coating (Blue Fin)	Yes
Intelligent Defrosting	Yes
Intelligent Preheating	Yes
Low Voltage Startup	Yes
Memory/Power Failure Recovery	Yes
Self Diagnosis	Yes
Wired Controller Interface (XE71 or XK76 optional)	Yes
WiFi Included	Yes
NEW! Easy Service Access	Yes
Indoor Fan Type	Crossflow
Multi Fan Speeds	7 Speeds
Indoor Unit Display	Yes
Auxiliary Electrical Heater	No
Ventilation (Outdoor Air)	No

REMOTE CONTROLLER FUNCTIONS	
NEW! Auto Clean	Yes
Auto Mode	Yes
Auto Fan	Yes
Auto Swing (Horizontal Auto Swing)	Yes
Auto Swing - 180° (Vertical Auto Swing)	Yes
Clock	Yes
Dry Mode	Yes
Dry Anti-Mildew (X-Fan) Mode	Yes
Energy Saving Mode	Yes
Dirty Filter Alert	No
Fan Speed Control (7 Speeds)	Yes
I Feel Function	Yes
Privacy Lock	Yes
Quiet Mode	Yes
Room Temperature Display	No
Sleep Mode	Yes
3 Sleep Mode Options	Yes
Timer Mode	Yes
Turbo Mode	Yes
Display On/Off Control	Yes
Freeze Guard Mode	Yes
Power Failure Mode	Yes

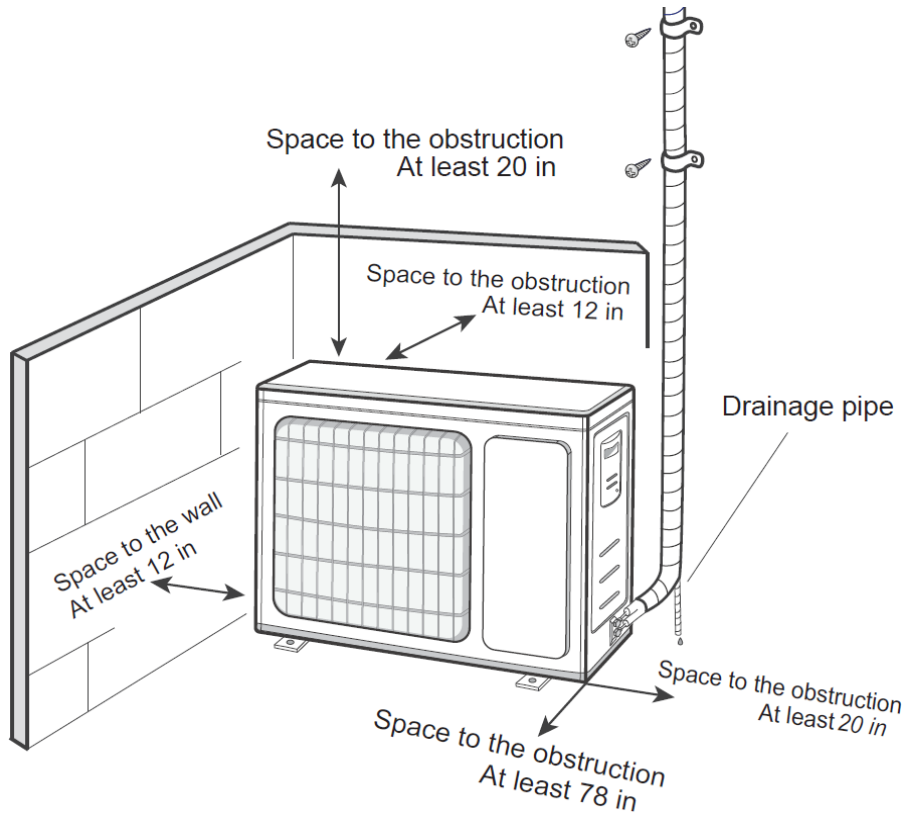


Dimensions	
W	38 5/8
D	8 3/4
H	12 1/4
W1	4 7/8
W2	27 7/8
W3	6





Dimensions	
A	35
B	38
C	27 5/8
D	13 7/16
E	15 5/8
F	22
G	14 5/16



Specifications are subject to change without notice. Manufacturer reserves the right to discontinue or modify specifications or designs without notice or without incurring obligations. All Rights reserved.