



SUBMITTAL DATA: 3VIR09HP115V1A 9000 BTU/H Wall Mounted Heat Pump System		
Job Name	Location	Date
Purchaser	Engineer	
Submitted To	For	
Unit Designation	Schedule No.	

YAP1F7F 3VIR09HP115V1AH 3VIR09HP115V1AO



XE71 (Optional)

GENERAL FEATURES

- AHRI Certificate: [206839102](#)**
- High Efficiency DC Inverter Technology**
- Compact and Quiet Design**
- Auto-Clean Function on Indoor Unit**
- Wireless Remote with LCD Display**
- Wired Controller Options**
- Wi-Fi Included (Factory Installed)**
- Low Ambient Cooling down to -13°F (Range -13°F to 122°F)**
- Low Ambient Heating down to -22°F (Range -22°F to 86°F)**
- Coil (Indoor and Outdoor) Copper Tube / Aluminum Fin***
- * (Blue Fin) 500 Hrs Salt Spray Tested**

Limited Warranty: 5 Year Parts, 7 Years Compressor - Residential & Commercial



SPECIFICATIONS

3VIR09HP115V1AO / 3VIR09HP115V1AH

System Type		HEAT PUMP	
SYSTEM PERFORMANCE			
Cooling	Rated Capacity @ 95°F	Btu/h	9100
	Min-Max Capacity	Btu/h	1700 - 13000
	Rated Power Input (Min - Max)	W	130 - 1170
Heating	Rated Capacity @ 47°F	Btu/h	10000
	Rated Capacity @ 17°F	Btu/h	7000
	Min-Max Capacity	Btu/h	2900 - 14600
	Rated Power Input (Min - Max)	W	130 - 1410
SEER / EER		26.5 / 14.55	
HSPF / COP		11.2 / 4.1	
Energy Star®		YES	
Cooling Temperature Range		°F	-13 - 122
Heating Temperature Range		°F	-22 - 86
INDOOR UNIT		3VIR09HP115V1AH	
Fan Motor Output Power		W	15
Fan Motor FLA		amps	0.3
Air Flow (Min - Max)		CFM	194 - 353
Sound Pressure Level (Cooling / Heating)		dB(A)	20 - 40
Dehumidification		pt/hr	1.69
Condensate Drain Size (OD)		in	5/8
Unit Dimension (WxHxD)		in	32 1/2 x 11 1/2 x 7 3/4
Package Dimension (WxHxD)		in	34 1/4 x 11 3/4 x 10 1/8
Weight (Net / Gross)		lbs	20.9 / 25.4
OUTDOOR UNIT		3VIR09HP115V1AO	
Compressor Type		Rotary Inverter	
Compressor RLA		amps	12.5
Fan Motor Output Power		W	30
Fan Motor RLA		amps	0.5
Sound Pressure Level (Cooling / Heating)		dB(A)	52
Unit Dimension (WxHxD)		in	33 3/8 x 23 1/2 x 12 5/8
Package Dimension (WxHxD)		in	34 1/2 x 14 3/16 x 24 3/4
Weight (Net / Gross)		lbs	75 / 81.6
Refrigerant Charge - R410A		oz	35.3
Coil Type		Copper Tube / Aluminum Fin	
REFRIGERANT PIPING			
Line Set Size (Liquid - Gas)		in	1/4 - 3/8
Pre-Charge Lengh		ft	25
Pipe Length (Min - Max)		ft	10 - 49
Max. Pipe Elevation		ft	33
ELECTRICAL			
Power Supply (Voltage Operating Range)		115V / 1PH / 60HZ	
Rated Current (Cooling / Heating)		amps	12.2 / 14.36
MCA / MOCP		amps	18 / 25
Main Power Wire Size		AWG	Size Per Local Code
Interconnecting Wire Size		AWG	14 / 4
LIMITED WARRANTY		5 Year Parts, 7 Years Compressor - Residential & Commercial	

EXTENDED RATINGS

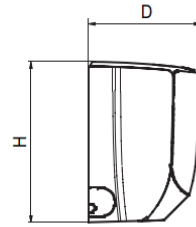
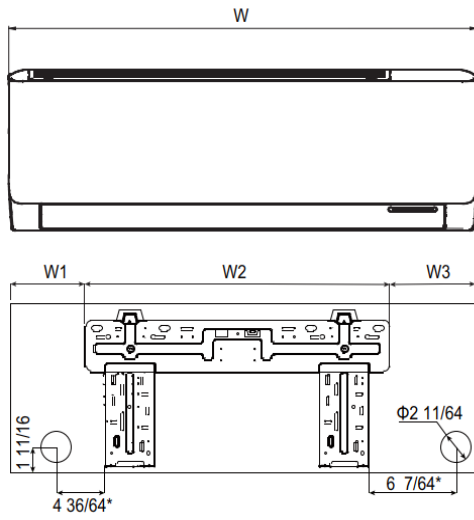
3VIR09HP115V1AO / 3VIR09HP115V1AH

COOLING PERFORMANCE						HEATING PERFORMANCE				
Outdoor Ambient Temperature (DB)		Return Air Temperature				Outdoor Ambient Temperature (DB)		Return Air Temperature		
		80°F (DB)						70°F (DB)		
		TC (Btu/h)	SHR	EER	Power Input (W)			TC (Btu/h)	COP	Power Input (W)
MAX OUTPUT	-13°F	5019	3482	8.71	576	MAX OUTPUT	-22°F	5260	1.22	1260
	-10°F	5249	3715	8.90	589		-20°F	5655	1.29	1289
	-5°F	5378	3841	8.84	609		-15°F	6312	1.42	1301
	0°F	5459	3958	8.77	622		-10°F	6529	1.46	1315
	5°F	5678	4145	8.94	635		-5°F	6715	1.48	1332
	10°F	5896	4304	8.93	660		0°F	9093	1.97	1356
	15°F	6005	4414	8.92	673		5°F	10492	2.23	1380
	20°F	6333	4686	9.07	699		10°F	11191	2.46	1332
	25°F	6551	4848	9.05	724		15°F	12170	2.70	1320
	30°F	6988	5206	9.17	762		17°F	12450	2.76	1320
	35°F	7315	5486	9.14	800		20°F	12590	2.93	1260
	40°F	7643	5732	9.26	826		25°F	12730	3.05	1224
	45°F	7970	6058	8.97	889		30°F	13010	3.14	1212
	50°F	8298	6265	8.60	965		35°F	13150	3.21	1200
	55°F	8844	6721	8.70	1016		40°F	13290	3.38	1152
	60°F	9390	7136	8.70	1080		45°F	13709	3.42	1176
	65°F	10045	7684	8.79	1143		47°F	13989	3.42	1200
	70°F	10482	8071	8.87	1181		50°F	14688	3.55	1212
	75°F	11028	8491	9.14	1207		55°F	15108	3.58	1236
	80°F	11464	8942	9.40	1219		60°F	16087	3.71	1272
	85°F	11574	8969	9.30	1245		65°F	15388	3.45	1308
	90°F	11901	9283	9.47	1257		70°F	14828	3.29	1320
	95°F	10918	8516	8.60	1270		75°F	13849	3.05	1332
	100°F	10372	8121	7.86	1320		80°F	13589	2.89	1380
105°F	9827	7714	7.16	1372	86°F	13148	2.71	1420		
110°F	9499	7504	6.74	1410						
115°F	9171	7245	6.28	1461						
120°F	8080	6423	5.48	1473						
122°F	7945	6324	5.34	1489						

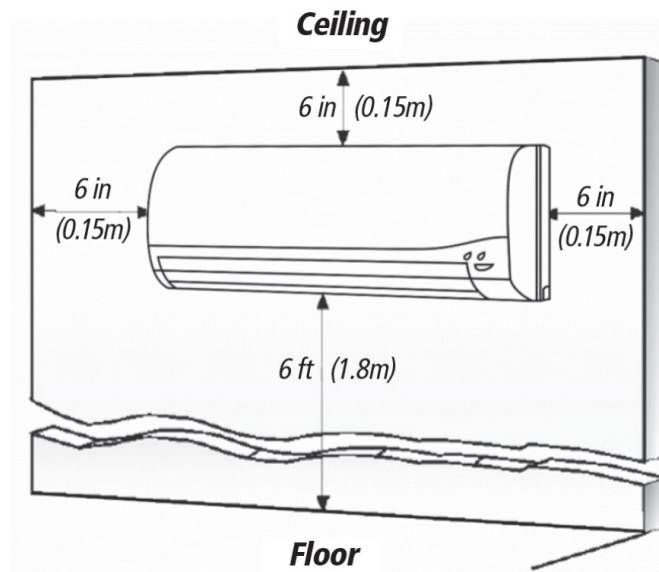
LEGEND: W - Watts
 DB - Dry Bulb
 TC - Total Capacity
 SHR - Sensible Heat Ratio
 COP - Coefficient of Performance

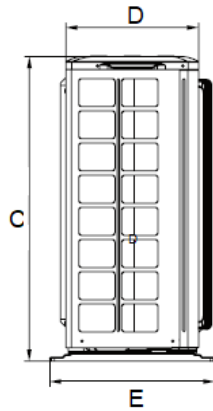
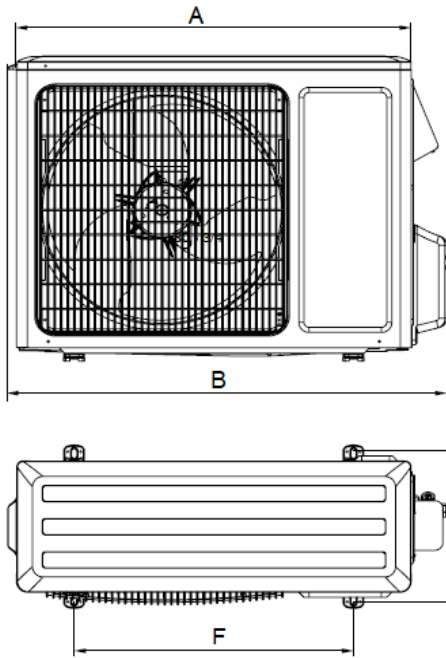
SYSTEM FEATURES	
Inverter Type	G10
Ultra Low Frequency Torque Control	Yes
Power Factor Correction	Yes
Compressor Type - Inverter	High Efficiency Rotary
Basepan With Electric Heater	Yes
Indoor & Outdoor Fin Coating (Blue Fin)	Yes
Intelligent Defrosting	Yes
Intelligent Preheating	Yes
Low Voltage Startup	Yes
Memory/Power Failure Recovery	Yes
Self Diagnosis	Yes
Wired Controller Interface (XE71 or XK76 optional)	Yes
WiFi Included	Yes
NEW! Easy Service Access	Yes
Indoor Fan Type	Crossflow
Multi Fan Speeds	7 Speeds
Indoor Unit Display	Yes
Auxiliary Electrical Heater	No
Ventilation (Outdoor Air)	No

REMOTE CONTROLLER FUNCTIONS	
NEW! Auto Clean	Yes
Auto Mode	Yes
Auto Fan	Yes
Auto Swing (Horizontal Auto Swing)	Yes
Auto Swing - 180° (Vertical Auto Swing)	Yes
Clock	Yes
Dry Mode	Yes
Dry Anti-Mildew (X-Fan) Mode	Yes
Energy Saving Mode	Yes
Dirty Filter Alert	No
Fan Speed Control (7 Speeds)	Yes
I Feel Function	Yes
Privacy Lock	Yes
Quiet Mode	Yes
Room Temperature Display	No
Sleep Mode	Yes
3 Sleep Mode Options	Yes
Timer Mode	Yes
Turbo Mode	Yes
Display On/Off Control	Yes
Freeze Guard Mode	Yes
Power Failure Mode	Yes



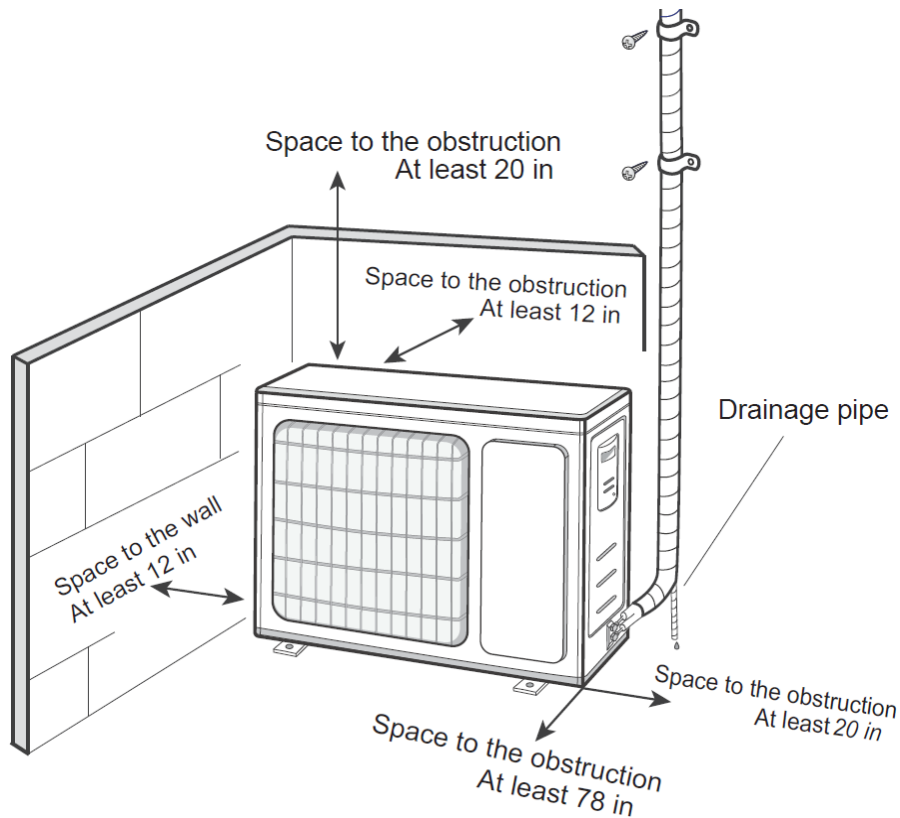
Dimensions	
W	32 1/2
D	7 3/4
H	11 1/2
W1	4 7/16
W2	21 3/8
W3	6 11/16





Dimensions	
A	30 3/4
B	33 3/8
C	23 1/2
D	10 1/8
E	12 5/8
F	21 5/16
G	11 5/16

Unit: inch



Specifications are subject to change without notice. Manufacturer reserves the right to discontinue or modify specifications or designs without notice or without incurring obligations. All Rights reserved.