



SUBMITTAL DATA: CAS18HP230V1BC 18000 BTU/H Cassette Heat Pump System

Job Name	Location	Date
Purchaser	Engineer	
Submitted To	For	
Unit Designation	Schedule No.	

YT1F / XK19 CAS18HP230V1BC 3VIR18HP230V1AO



GENERAL FEATURES

AHRI Certificate: 207201631
High Efficiency DC Inverter Technology
Compact and Quiet Design

Wireless Remote with LCD Display Included
XK19 Wired Controller Included

Low Ambient Cooling down to -20°F (Range -20°F to 122°F)
Low Ambient Heating down to -22°F (Range -22°F to 86°F)
Coil (Indoor and Outdoor) Copper Tube / Aluminum Fin*
*** (Blue Fin) 500 Hrs Salt Spray Tested**

Limited Warranty: 5 Year Parts, 7 Years Compressor - Residential & Commercial



SPECIFICATIONS

3VIR18HP230V1AO / CAS18HP230V1BC

System Type		HEAT PUMP	
SYSTEM PERFORMANCE			
Cooling	Rated Capacity @ 95°F	Btu/h	18000
	Min-Max Capacity	Btu/h	5100 - 23200
Heating	Rated Capacity @ 47°F	Btu/h	18200
	Rated Capacity @ 17°F	Btu/h	12500
	Min-Max Capacity	Btu/h	5800 - 23500
SEER / EER		20 / 10.25	
HSPF / COP		10 / 2.96	
Energy Star®		NO	
Cooling Temperature Range		°F	-20 - 122
Heating Temperature Range		°F	-22 - 86
INDOOR UNIT		CAS18HP230V1BC	
Fan Motor Output Power		W	45
Fan Motor FLA		amps	0.5
Air Flow (Min - Max)		CFM	265 - 418
Sound Pressure Level (Cooling / Heating)		dB(A)	35 - 47
Dehumidification		pt/hr	3.8
Condensate Drain Size (OD)		in	1
Unit Dimension (WxHxD)		in	23 1/2 X 23 1/2 X 9 1/2
Package Dimension (WxHxD)		in	30 1/2 X 29 X 11 1/4
Weight (Net / Gross)		lbs	44 / 53
OUTDOOR UNIT		3VIR18HP230V1AO	
Compressor Type		G-10 / 1-Stage Inverter	
Compressor RLA		amps	6.6
Fan Motor Output Power		W	30
Fan Motor RLA		amps	0.37
Sound Pressure Level (Cooling / Heating)		dB(A)	52
Unit Dimension (WxHxD)		in	38 X 27 5/8 X 15 5/8
Package Dimension (WxHxD)		in	40 1/2 X 29 X 18
Weight (Net / Gross)		lbs	83.8/90.4
Refrigerant Charge - R410A		oz	47.3
Coil Type		Aluminum Fin / Copper Tube	
REFRIGERANT PIPING			
Indoor Service Valve Size (Liquid - Gas)*		in	1/4 - 1/2
Outdoor Service Valve Size (Liquid - Gas)		in	1/4 - 5/8
Pre-Charge Length		ft	25
Pipe Length (Min - Max)		ft	10 / 66
Max. Pipe Elevation		ft	33
ELECTRICAL			
Power Supply (Voltage Operating Range)		208-230V / 1Ph / 60Hz	
Rated Current (Cooling / Heating)		amps	4 / 7.5
MCA / MOCP		amps	10 / 15
Main Power Wire Size		AWG	Size Per Local Code
Interconnecting Wire Size		AWG	14 / 4
LIMITED WARRANTY		5 Yrs Parts, 7 Yrs Compressor - Residential & Commercial	

* Size line set to indoor unit connection size -requires 1/2 x 5/8 adapter (field supplied)

EXTENDED RATINGS

CAS18HP230V1BC

COOLING PERFORMANCE						HEATING PERFORMANCE				
Outdoor Ambient Temperature (DB)		Return Air Temperature				Outdoor Ambient Temperature (DB)		Return Air Temperature		
		80°F (DB)						70°F (DB)		
		TC (Btu/h)	SHR	EER	Power Input (W)			TC (Btu/h)	COP	Power Input (W)
MAX OUTPUT	-20°F	5949	4819	1.61	1080.0	MAX OUTPUT	-22°F	6894	1.56	1294.1
	-15°F	6275	5300	1.79	1030.0		-20°F	7380	1.64	1320.5
	-10°F	6706	5423	1.82	1080.0		-15°F	8238	1.79	1347.5
	-5°F	7367	5870	1.84	1171.7		-10°F	9439	2.01	1375.0
	0°F	8231	5967	1.87	1290.9		-5°F	9954	2.08	1403.1
	5°F	9877	7210	2.15	1348.7		0°F	10297	2.11	1431.7
	10°F	10463	7725	2.19	1402.7		5°F	10742	2.16	1460.9
	15°F	10792	7932	2.31	1368.0		10°F	11651	2.29	1490.7
	20°F	11059	8081	2.24	1444.8		15°F	11730	2.26	1521.1
	25°F	11158	8257	2.26	1445.0		17°F	12500	2.40	1528.0
	30°F	11523	8585	2.25	1502.8		20°F	13304	2.46	1583.9
	35°F	12250	9011	2.30	1560.6		25°F	14819	2.69	1616.2
	40°F	12621	9465	2.40	1541.3		30°F	15162	2.69	1649.2
	45°F	13325	9846	2.43	1609.4		35°F	16334	2.82	1698.7
	50°F	13718	10357	2.46	1637.6		40°F	17505	2.93	1749.6
	55°F	14450	10982	2.50	1695.4		45°F	18020	2.93	1802.0
	60°F	14886	11299	2.50	1748.5		47°F	18200	2.96	1805.0
	65°F	14999	11474	2.51	1753.1		50°F	18636	2.93	1865.4
	70°F	16421	12855	2.59	1860.5		55°F	18720	2.96	1855.2
	75°F	17376	13380	2.70	1888.0		60°F	18352	3.09	1742.0
	80°F	17964	13975	2.74	1924.6		65°F	17250	3.00	1687.8
	85°F	18324	14459	2.71	1984.8		70°F	16701	2.97	1646.1
	90°F	18444	14291	2.77	1951.5		75°F	15599	2.87	1595.2
	95°F	18291	14267	2.78	1927.0		80°F	15235	2.85	1569.3
	100°F	16993.95	13418	2.80	1776.1		86°F	14400	2.70	1565.3
	105°F	16278.99	12471	2.67	1785.1					
110°F	14454.72	11463	2.56	1651.9						
115°F	13656.82	10453	2.56	1560.5						
120°F	11421.18	8895	2.27	1472.2						
122°F	10514.91	7874	2.27	1358.6						

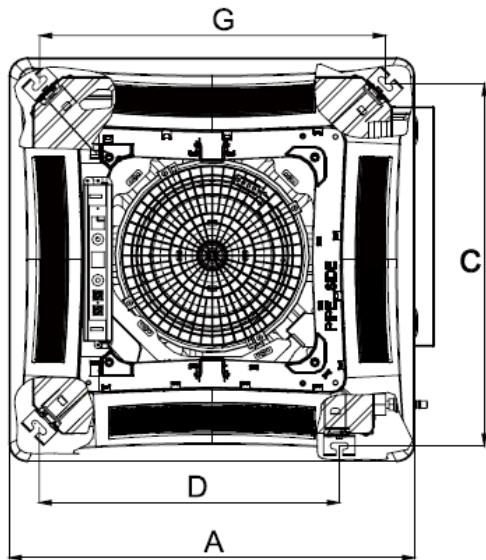
LEGEND: W - Watts
 DB - Dry Bulb
 TC - Total Capacity
 SHR - Sensible Heat Ratio
 COP - Coefficient of Performance

FEATURES & FUNCTIONS SUMMARY**3VIR18HP230V1AO / CAS18HP230V1BC****SYSTEM FEATURES**

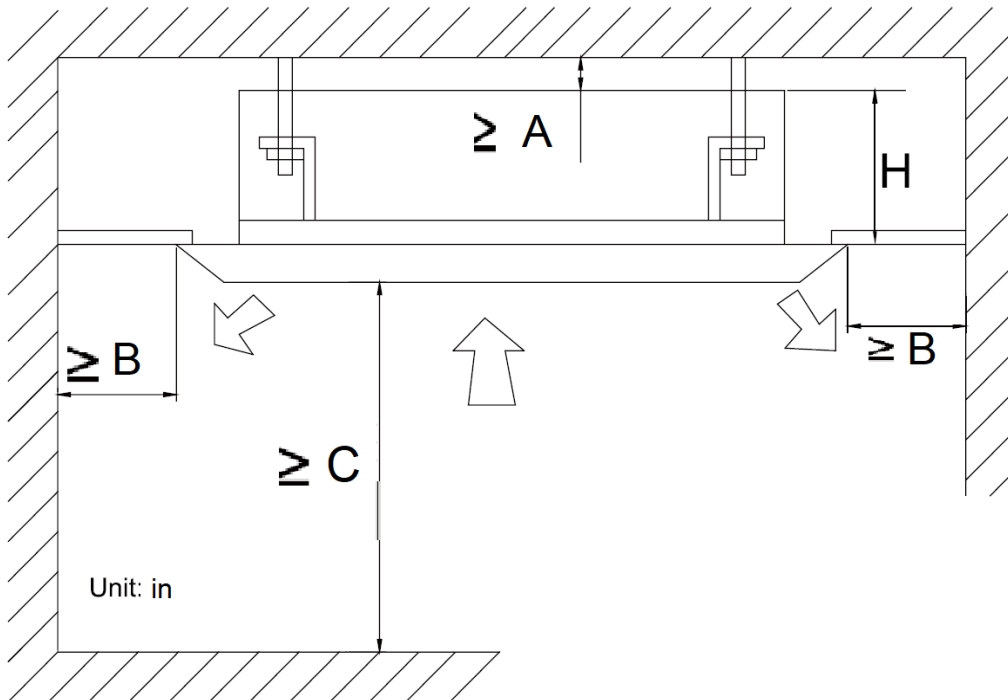
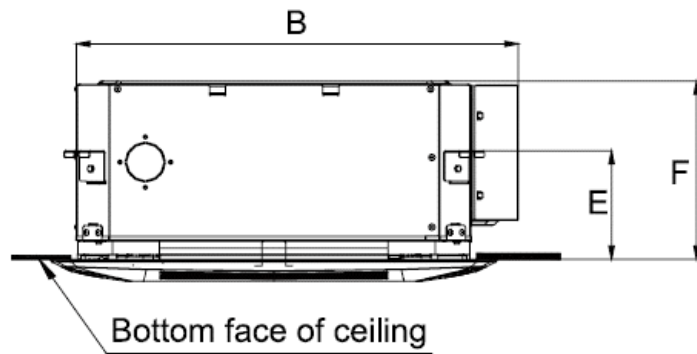
Inverter Type	G10
Ultra Low Frequency Torque Control	Yes
Power Factor Correction	Yes
Compressor Type - Inverter	High Efficiency Rotary
Basepan With Electric Heater	Yes
Indoor & Outdoor Fin Coating	Yes
Intelligent Defrosting	Yes
Intelligent Preheating	Yes
Low Voltage Startup	Yes
Memory/Power Failure Recovery	Yes
Self Diagnosis	Yes
Wired Controller Interface	Yes
WiFi Included	No
Indoor Fan Type	Centrifugal
Multi Fan Speeds	4 Speeds
Indoor Unit Display	Yes
Auxiliary Electrical Heater	No
Ventilation (Outdoor Air)	No

REMOTE CONTROLLER FUNCTIONS

Auto Mode	Yes
Auto Fan	Yes
Auto Swing (Horizontal Auto Swing)	No
Auto Swing (Vertical Auto Swing)	Yes
Clock	Yes
Dry Mode	Yes
Dry Anti-Mildew (X-Fan) Mode	Yes
Energy Saving Mode	Yes
Dirty Filter Alert	No
Fan Speed Control (7 Speeds)	Yes
I Feel Function	Yes
Privacy Lock	Yes
Quiet Mode	No
Room Temperature Display	No
Sleep Mode	Yes
Normal Sleep Mode Option	Yes
Timer Mode	Yes
Turbo Mode	Yes
Display On/Off Control	Yes
Freeze Guard Mode	Yes
Power Failure Mode	Yes

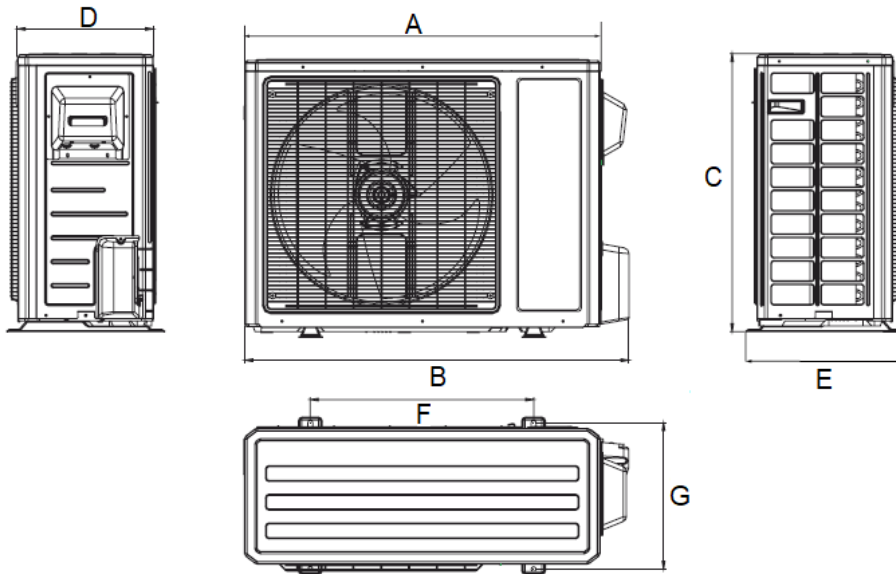


Dimensions	
A	26 3/8
B	26 3/8
C	23 5/8
D	19 1/2
E	5 11/16
F	9 7/16
G	23 1/2

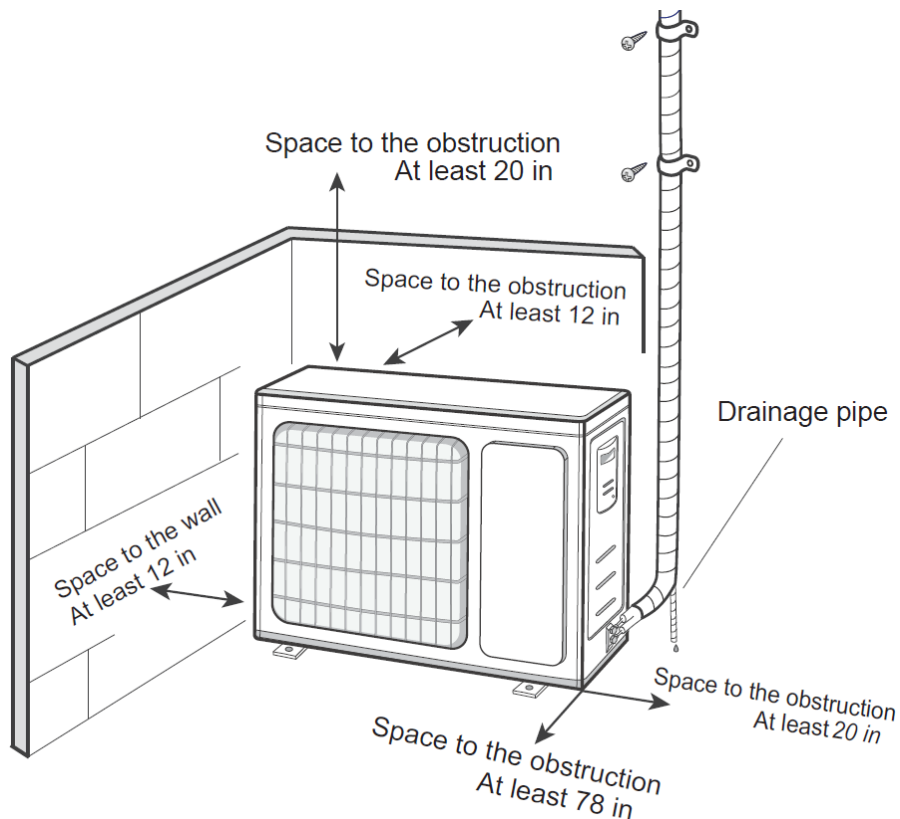


Clearances	
A	7/8
B	60
C	98
H	10

Unit: in



Dimensions	
A	35
B	38
C	27 9/16
D	13 7/16
E	15 9/16
F	22
G	14 5/16



Specifications are subject to change without notice. Manufacturer reserves the right to discontinue or modify specifications or designs without notice or without incurring obligations. All Rights reserved.