



SUBMITTAL DATA: FLR12HP230V1BF

12000 BTU/H Floor/Ceiling Heat Pump System

Job Name	Location	Date
Purchaser	Engineer	
Submitted To	For	
Unit Designation	Schedule No.	

YT1F / XK19

FLR12HP230V1BF

3VIR12HP230V1AO



(Optional)



GENERAL FEATURES

AHRI Certificate: [207201629](#)

High Efficiency DC Inverter Technology

Quiet Operation and Multi-Speed Fan

Floor Stand or Ceiling Mount

Multi-Directional Air Flow

Wireless Remote with LCD Display Included

XK19 Wired Controller Included

Low Ambient Cooling down to -20°F (Range -20°F to 122°F)

Low Ambient Heating down to -22°F (Range -22°F to 86°F)

Coil (Indoor and Outdoor) Copper Tube / Aluminum Fin*

*** (Blue Fin) 500 Hrs Salt Spray Tested**

5 Year Limited Compressor & Parts Warranty (Residential Only)

SPECIFICATIONS

3VIR12HP230V1AO / FLR12HP230V1BF

System Type		HEAT PUMP	
SYSTEM PERFORMANCE			
Cooling	Rated Capacity @ 95°F	Btu/h	12000
	Min-Max Capacity	Btu/h	900 - 14100
Heating	Rated Capacity @ 47°F	Btu/h	12000
	Rated Capacity @ 17°F	Btu/h	7200
	Min-Max Capacity	Btu/h	900 - 15500
SEER / EER		19.6 / 12.5	
HSPF / COP		10.5 / 3.5	
Energy Star®		YES	
Cooling Temperature Range		°F	-20 - 122
Heating Temperature Range		°F	-22 - 86
INDOOR UNIT		FLR12HP230V1BF	
Fan Motor Output Power		W	15
Fan Motor FLA		amps	0.9
Air Flow (Min - Max)		CFM	257 - 412
Sound Pressure Level (Cooling / Heating)		dB(A)	26 - 38
Dehumidification		pt/hr	3
Condensate Drain Size (OD)		in	11/16
Unit Dimension (WxHxD)		in	34 1/4 X 26 1/4 X 9 1/4
Package Dimension (WxHxD)		in	40 1/2 X 30 1/4 X 11 1/4
Weight (Net / Gross)		lbs	55 / 66.2
OUTDOOR UNIT		3VIR12HP230V1AO	
Compressor Type		G-10 / 1-Stage Inverter	
Compressor RLA		amps	6.6
Fan Motor Output Power		W	30
Fan Motor RLA		amps	0.37
Sound Pressure Level (Cooling / Heating)		dB(A)	52
Unit Dimension (WxHxD)		in	35 3/8 X 23 1/2 X 14 7/8
Package Dimension (WxHxD)		in	37 3/16 X 24 7/8 X 16 1/2
Weight (Net / Gross)		lbs	83.8/90.4
Refrigerant Charge - R410A		oz	47.3
Coil Type		Aluminum Fin / Copper Tube	
REFRIGERANT PIPING			
Line Set Size (Liquid - Gas)		in	1/4 - 1/2
Pre-Charge Lengh		ft	25
Pipe Length (Min - Max)		ft	10 / 66
Max. Pipe Elevation		ft	33
ELECTRICAL			
Power Supply (Voltage Operating Range)		208-230V / 1Ph / 60Hz	
Rated Current (Cooling / Heating)		amps	4 / 7.5
MCA / MOCP		amps	10 / 15
Main Power Wire Size		AWG	Size Per Local Code
Interconnecting Wire Size		AWG	14 / 4
LIMITED WARRANTY		5 Years Parts and Compressor - Residential	

EXTENDED RATINGS

FLR12HP230V1BF

COOLING PERFORMANCE						HEATING PERFORMANCE				
Outdoor Ambient Temperature (DB)		Return Air Temperature				Outdoor Ambient Temperature (DB)		Return Air Temperature		
		80°F (DB)						70°F (DB)		
		TC (Btu/h)	SHR	EER	Power Input (W)			TC (Btu/h)	COP	Power Input (W)
MAX OUTPUT	-20°F					MAX OUTPUT	-22°F			
	-15°F						-20°F			
	-10°F						-15°F	5120	1.43	1049
	-5°F	5830	4220	3.24	527		-10°F	5460	1.51	1062
	0°F	5970	4350	3.25	539		-5°F	5760	1.57	1078
	5°F	6230	4555	3.32	550		0°F	7790	2.08	1096
	10°F	6400	4700	3.30	568		5°F	8990	2.36	1115
	15°F	6550	4846	3.29	584		10°F	9590	2.61	1077
	20°F	6900	5090	3.34	605		15°F	10140	2.77	1072
	25°F	7200	5320	3.37	627		17°F	10670	2.93	1067
	30°F	7680	5722	3.41	661		20°F	10800	3.11	1019
	35°F	8020	6011	3.41	689		25°F	10910	3.23	989
	40°F	8390	6300	3.44	715		30°F	11160	3.34	980
	45°F	8760	6593	3.31	776		35°F	11280	3.46	955
	50°F	9110	6885	3.19	836		40°F	11400	3.57	935
	55°F	9420	7130	3.22	858		45°F	11760	3.63	951
	60°F	9720	7387	3.24	880		47°F	11860	3.62	959
	65°F	10360	7916	3.25	934		50°F	12000	3.63	970
	70°F	11040	8440	3.27	990		55°F	12960	3.80	999
	75°F	12110	9332	3.40	1045		60°F	13800	3.93	1028
	80°F	12590	9735	3.48	1062		65°F	13200	3.66	1058
	85°F	13060	10137	3.55	1079		70°F	12700	3.49	1067
	90°F	12520	9720	3.37	1089		75°F	11870	3.23	1077
	95°F	12000	9361	3.19	1103		80°F	11160	3.12	1048
	100°F	11390	8919	2.92	1144		86°F	10340	2.90	1045
105°F	10800	8470	2.66	1188						
110°F	10420	8221	2.49	1228						
115°F	10040	7960	2.33	1265						
120°F	9430	7490	2.17	1273						
122°F	8870	7050	2.03	1280						

LEGEND: W - Watts
 DB - Dry Bulb
 TC - Total Capacity
 SHR - Sensible Heat Ratio
 COP - Coeffecient of Performance

FEATURES & FUNCTIONS SUMMARY

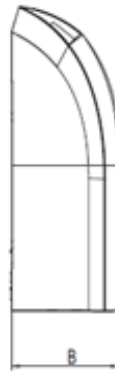
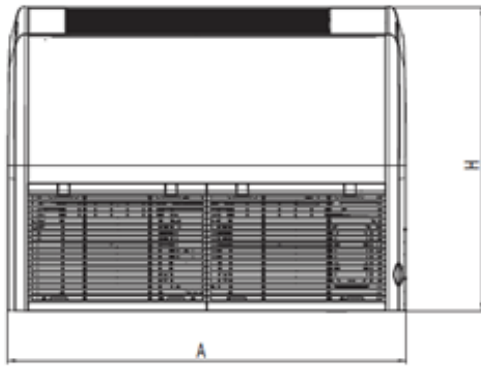
3VIR12HP230V1AO / FLR12HP230V1BF

SYSTEM FEATURES

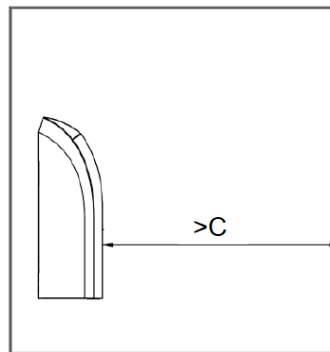
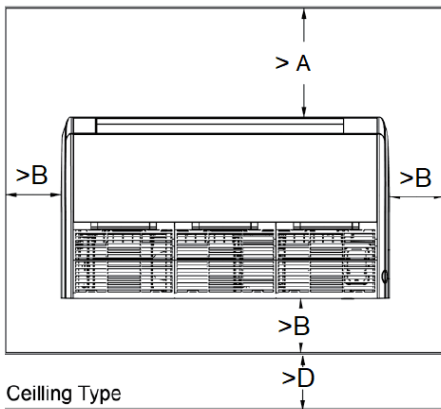
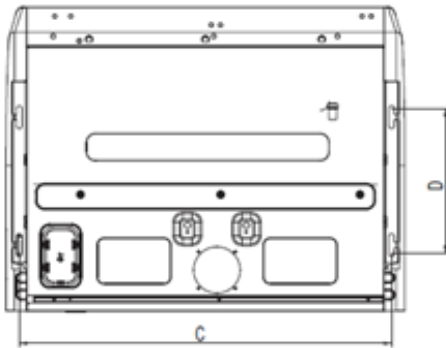
Inverter Type	G10
Ultra Low Frequency Torque Control	Yes
Power Factor Correction	Yes
Compressor Type - Inverter	High Efficiency Rotary
Basepan With Electric Heater	Yes
Indoor & Outdoor Fin Coating (Blue Fin)	Yes
Intelligent Defrosting	Yes
Intelligent Preheating	Yes
Low Voltage Startup	Yes
Memory/Power Failure Recovery	Yes
Self Diagnosis	Yes
Wired Controller Interface	Yes
WiFi Included	No
Indoor Fan Type	Centrifugal
Multi Fan Speeds	4 Speeds
Indoor Unit Display	Yes
Auxiliary Electrical Heater	No
Ventilation (Outdoor Air)	No

REMOTE CONTROLLER FUNCTIONS

Auto Mode	Yes
Auto Fan	Yes
Auto Swing - (Horizontal Auto Swing)	No
Auto Swing - (Vertical Auto Swing)	Yes
Clock	Yes
Dry Mode	Yes
Dry Anti-Mildew (X-Fan) Mode	Yes
Energy Saving Mode	Yes
Dirty Filter Alert	No
Fan Speed Control (4 Speeds)	Yes
I Feel Function	Yes
Privacy Lock	Yes
Quiet Mode	Yes
Room Temperature Display	No
Sleep Mode (Normal Sleep)	Yes
4 Sleep Mode Options	No
Timer Mode	Yes
Turbo Mode	Yes
Display On/Off Control	Yes
Freeze Guard Mode	Yes
Power Failure Mode	Yes

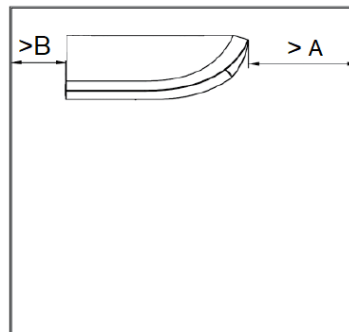
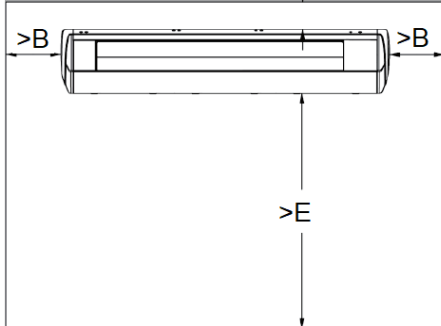


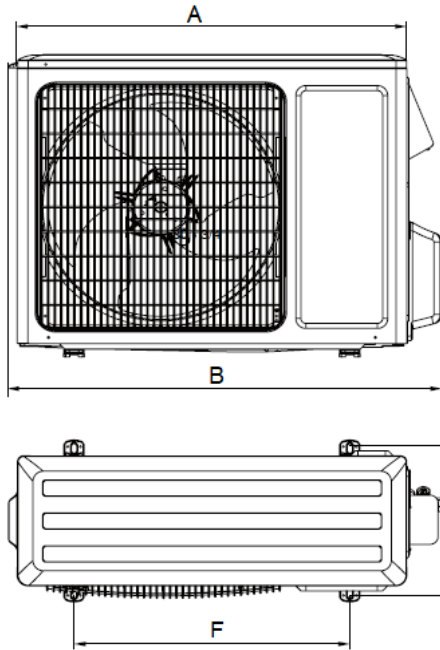
Dimensions	
A	34 1/4
B	9 1/4
C	32
D	12 1/2
H	26 1/4



Dimensions	
A	60
B	12
C	39
D	6
E	90

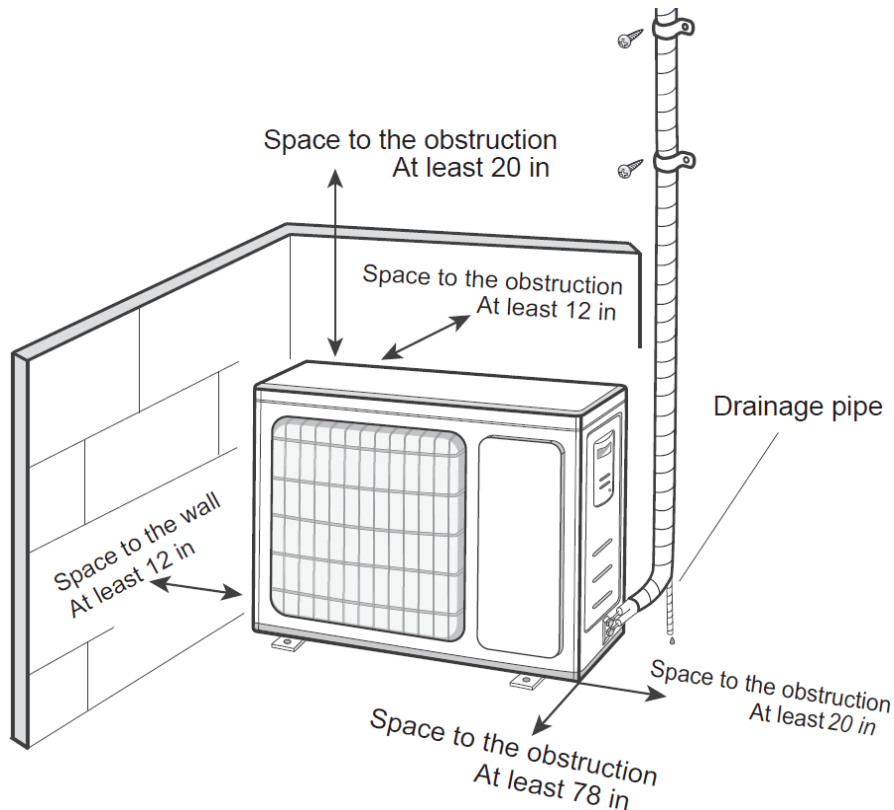
Ceiling Type





Dimensions	
A	30 3/4
B	33 3/8
C	23 1/2
D	10 1/8
E	12 5/8
F	21 5/16
G	11 5/16

Unit: inch



Specifications are subject to change without notice. Manufacturer reserves the right to discontinue or modify specifications or designs without notice or without incurring obligations. All Rights reserved.