





## SUBMITTAL DATA

VIR24HP230V1R32AH / VIR24HP230V1R32AO  
24000 BTU/H Wall Mounted Heat Pump System

Job Name	Location	Date
Purchaser	Engineer	
Submitted to	For	
Unit Designation	Schedule No.	

			
YBE1FBF	VIR24HP230V1R32AH	VIR24HP230V1R32AO	XE71 (Optional)

### GENERAL FEATURES

- AHRI Certificate: [215218912](#)
- High Efficiency DC Inverter Technology
- Compact and Quiet Design
- Auto-Clean Function on Indoor Unit
- Wireless Remote with LCD Display
- Wired Controller Options
- New R32 Refrigerant
- Composite Drain Pan
- Wi-Fi Included (Factory Installed)
- Low Ambient Cooling down to -20°F (Range -20°F to 122°F)
- Low Ambient Heating down to -22°F (Range -22°F to 86°F)
- Coil (Indoor and Outdoor) Copper Tube / Aluminum Fin
- Blue Colored Fin - 500 Hrs Salt Spray Tested

## SPECIFICATIONS, FEATURES & FUNCTION SUMMARY

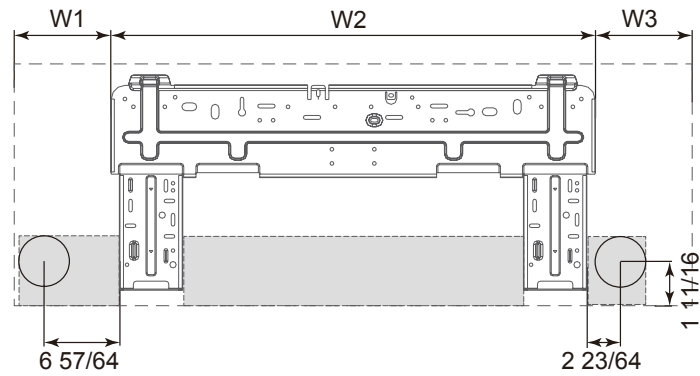
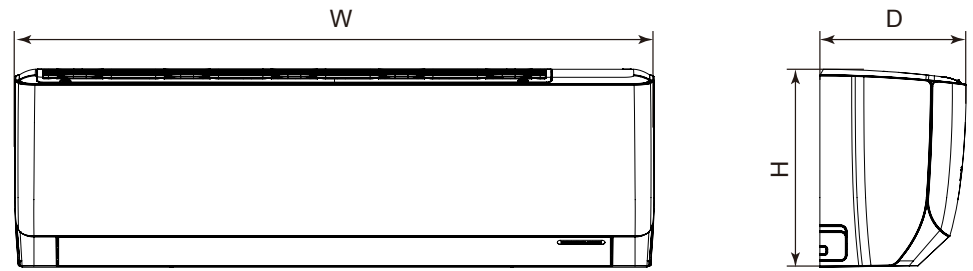
SPECIFICATIONS		VIR24HP230V1R32AH / VIR24HP230V1R32AO		FEATURES & FUNCTIONS SUMMARY		VIR24HP230V1R32AH / VIR24HP230V1R32AO	
System Type		HEAT PUMP					
<b>SYSTEM PERFORMANCE</b>							
Cooling	Min - Max	Btu/h	3,340 - 28,660				
	Capacity @95°F	Btu/h	22,000				
Heating	Min - Max	Btu/h	3,300 - 31,390				
	Capacity @47°F	Btu/h	24,000				
	Capacity @17°F	Btu/h	20,000				
	Capacity Max @5°F	Btu/h	16,000				
SEER2		26.0					
EER2		13.7					
HSPF2		10.0					
COP @5°F		1.8					
COP @47°F		4.0					
Cooling Temperature Range		°F	-20 - 122				
Heating Temperature Range		°F	-22 - 86				
Refrigerant Type		R32					
<b>INDOOR UNIT</b>				<b>VIR24HP230V1R32AH</b>			
Air flow (Min - Max)		CFM	383 - 736				
Sound Pressure Level (Min - Max)		dB(A)	34 - 52				
Dehumidification		pt/hr	4.23				
External Dimensions (W x H x D)		in	42-21/64 x 13-7/64 x 9-11/16				
Package Dimension (W x H x D)		in	44-39/64 x 16-19/64 x 13-7/64				
Net Weight		lbs	35.3				
Gross Weight		lbs	41.9				
<b>OUTDOOR UNIT</b>				<b>VIR24HP230V1R32AO</b>			
Sound Pressure Level		dB(A)	58				
External Dimensions (W x H x D)		in	37-23/32 x 25-63/64 x 15-53/64				
Package Dimension (W x H x D)		in	40-5/8 x 29-1/64 x 17-61/64				
Net Weight		lbs	92.6				
Gross Weight		lbs	102.5				
<b>REFRIGERANT PIPING</b>							
Refrigerant Charge		oz	42.3				
Additional Charge		oz/ft	0.4				
Line Set Size (Liquid - Gas) - Flared Connections		in	1/4 - 5/8				
Pre-Charge Length		ft	25				
Pipe Length (Min - Max)		ft	10 - 131				
Max. Pipe Elevation		ft	82				
<b>ELECTRICAL</b>							
Power Supply		208-230V / 1Ph / 60Hz (Powered by the Outdoor Unit)					
Voltage Range (Min - Max)		VAC	187 - 253				
Rated Current - Cooling		A	13				
Rated Current - Heating		A	15.5				
MCA		A	22				
MOCP		A	30				
Suggested Breaker Size		A	20				
Main Power Wire Size		AWG	Per Local Code				
Interconnecting Wire Size		AWG	14 / 4				
<b>SYSTEM FEATURES</b>							
Inverter Type		G10					
Ultra Low Frequency Torque Control		Yes					
Power Factor Correction		Yes					
Compressor Type - Inverter		High Efficiency Rotary					
Basepan With Electric Heater		Yes					
Indoor & Outdoor Fin Coating (Blue Fin)		Yes					
Intelligent Defrosting		Yes					
Intelligent Preheating		Yes					
Low Voltage Startup		Yes					
Memory/Power Failure Recovery		Yes					
Self Diagnosis		Yes					
Wired Controller Interface		Yes					
WiFi Included		Yes					
NEW! Easy Service Access		Yes					
Indoor Fan Type		Crossflow					
Multi Fan Speeds		7 Speeds					
Indoor Unit Display		Yes					
Auxiliary Electrical Heater		No					
Ventilation (Outdoor Air)		No					
<b>REMOTE CONTROLLER FUNCTIONS</b>							
NEW! Auto Clean		Yes					
Auto Mode		Yes					
Auto Fan		Yes					
Auto Swing (Horizontal Auto Swing)		Yes					
Auto Swing - 180° (Vertical Auto Swing)		Yes					
Clock		Yes					
Dry Mode		Yes					
Dry Anti-Mildew (X-Fan) Mode		Yes					
Energy Saving Mode		Yes					
Dirty Filter Alert		No					
Fan Speed Control (7 Speeds)		Yes					
I Feel Function		Yes					
Privacy Lock		Yes					
Quiet Mode		Yes					
Room Temperature Display		No					
Sleep Mode		Yes					
3 Sleep Mode Options		Yes					
Timer Mode		Yes					
Turbo Mode		Yes					
Display On/Off Control		Yes					
Freeze Guard Mode		Yes					
Power Failure Mode		Yes					
Humidity Control		Yes					

## DIMENSIONS

### INDOOR UNIT

Unit: inch

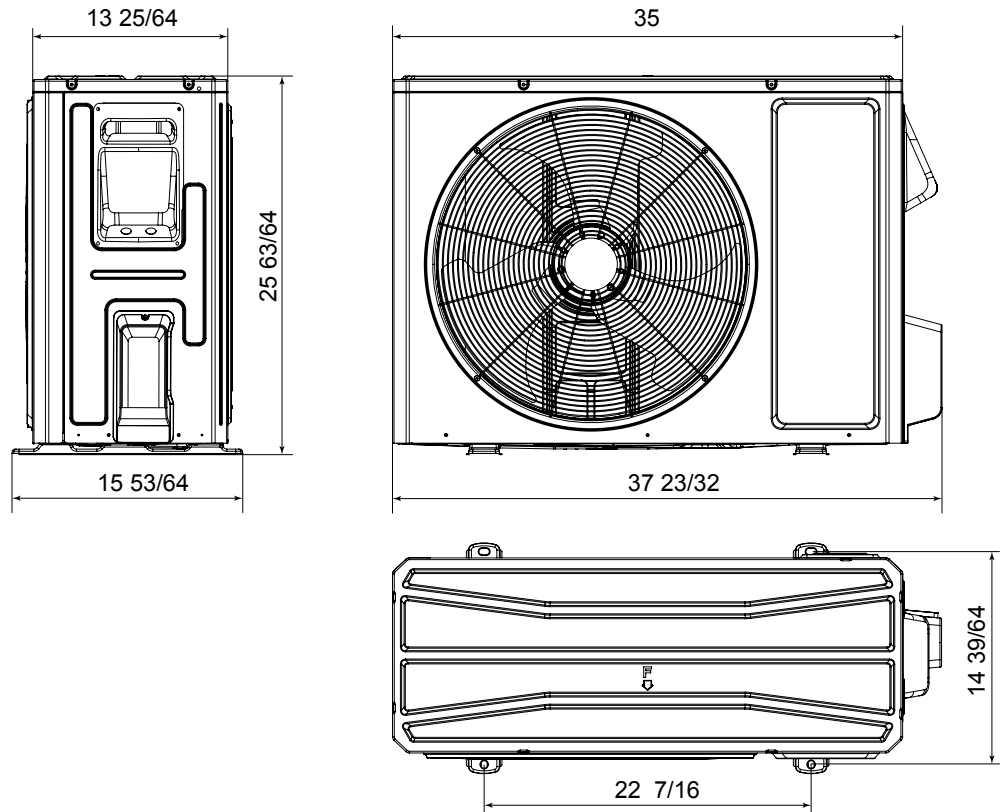
VIR24HP230V1R32AH	
DIMENSIONS	
W	42 21/64
H	13 7/64
D	9 11/16
W1	7 7/32
W2	27 55/64
W3	7 1/4



### OUTDOOR UNIT

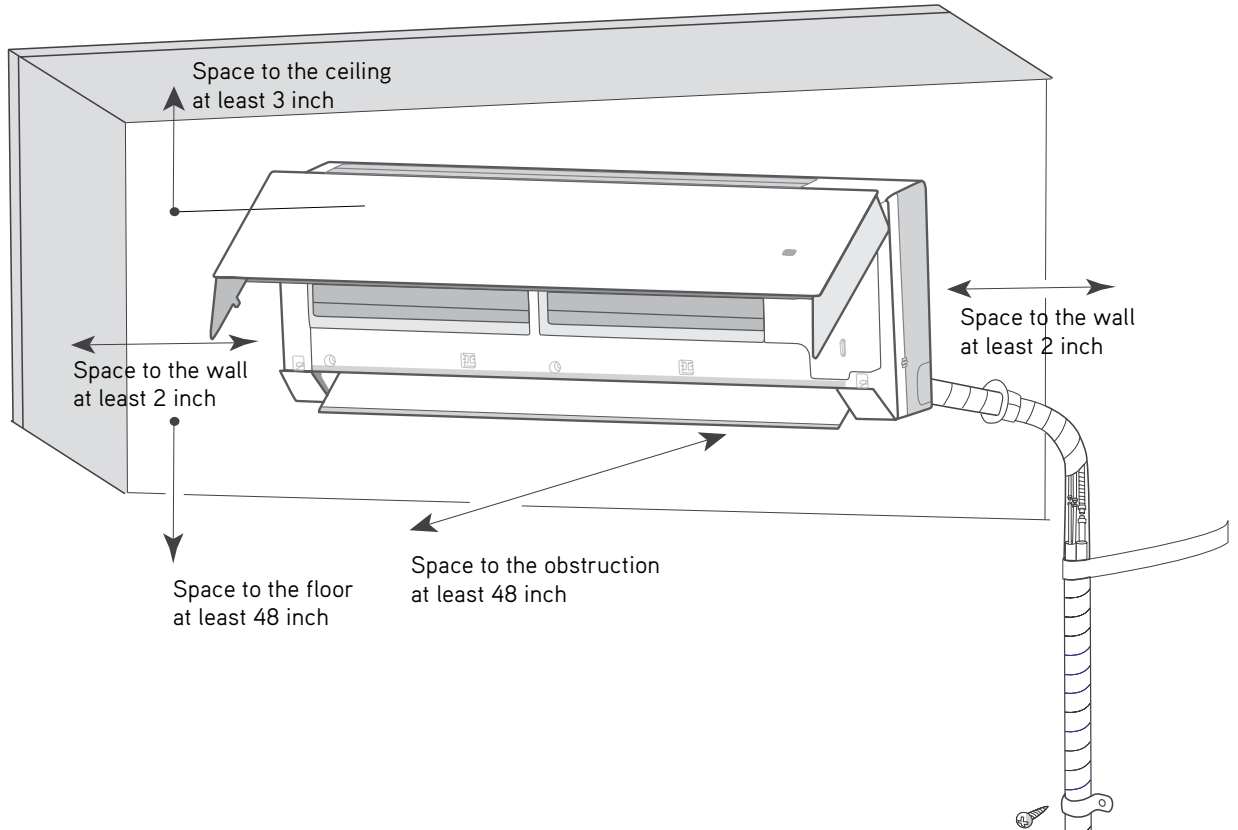
Unit: inch

VIR24HP230V1R32AO	
-------------------	--

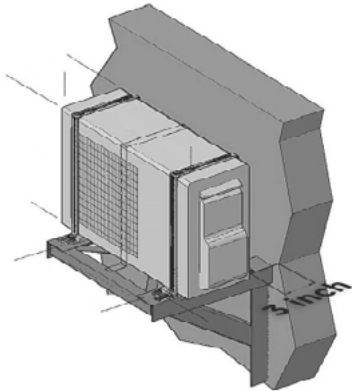


# CLEARANCES

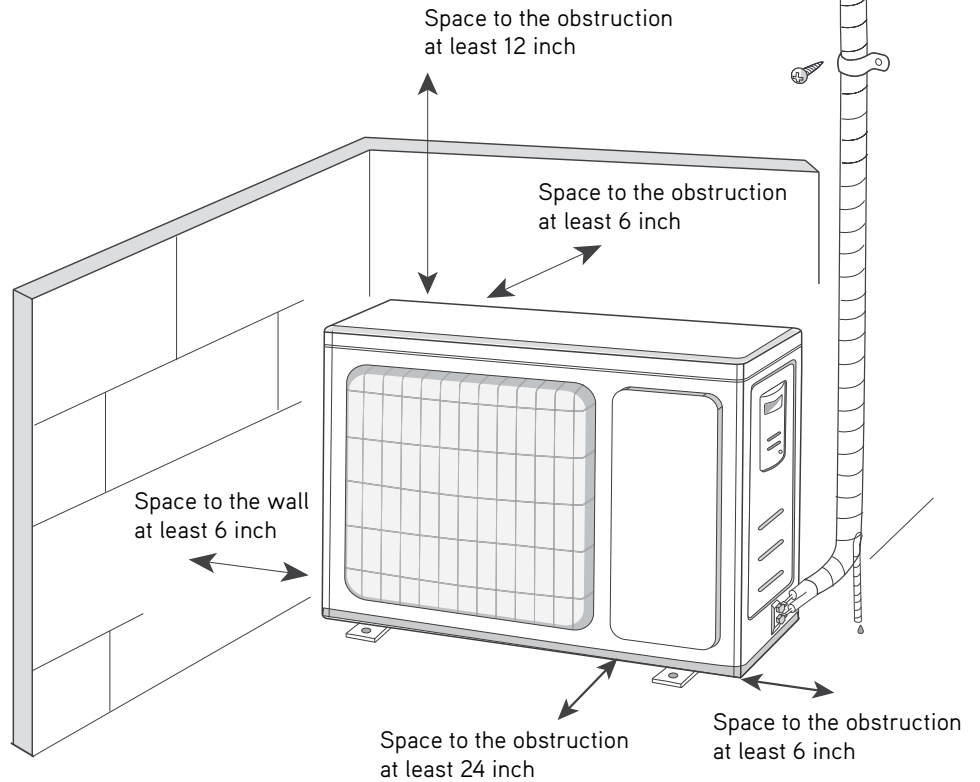
## INDOOR UNIT Minimum clearance



## OUTDOOR UNIT Minimum clearance



**NOTE:**  
If bottom of the unit is free of airflow obstructions similar to the mounting bracket figure, the clearance to the wall on the back can be reduced to 3 inches.



Specifications are subject to change without notice. Manufacturer reserves the right to discontinue or modify specifications or designs without notice or without incurring obligations. All Rights reserved.