





SUBMITTAL DATA

VIR09HP230V1R32AH / VIR09HP230V1R32AO
9000 BTU/H Wall Mounted Heat Pump System

Job Name	Location	Date
Purchaser	Engineer	
Submitted to	For	
Unit Designation	Schedule No.	

			
YBE1FBF	VIR09HP230V1R32AH	VIR09HP230V1R32AO	XE71 (Optional)

GENERAL FEATURES

- AHRI Certificate: [214779340](#)
- High Efficiency DC Inverter Technology
- Compact and Quiet Design
- Auto-Clean Function on Indoor Unit
- Wireless Remote with LCD Display
- Wired Controller Options
- New R32 Refrigerant
- Composite Drain Pan
- Wi-Fi Included (Factory Installed)
- Low Ambient Cooling down to -20°F (Range -20°F to 122°F)
- Low Ambient Heating down to -22°F (Range -22°F to 86°F)
- Coil (Indoor and Outdoor) Copper Tube / Aluminum Fin
- Blue Colored Fin - 500 Hrs Salt Spray Tested

SPECIFICATIONS, FEATURES & FUNCTION SUMMARY

SPECIFICATIONS		VIR09HP230V1R32AH / VIR09HP230V1R32AO	
System Type		HEAT PUMP	
SYSTEM PERFORMANCE			
Cooling	Min - Max	Btu/h	2,730 - 12,966
	Capacity @95°F	Btu/h	9,100
Heating	Min - Max	Btu/h	2,388 - 15,013
	Capacity @47°F	Btu/h	10,500
	Capacity @17°F	Btu/h	
	Capacity Max @5°F	Btu/h	
SEER2		26.0	
EER2		15.0	
HSPF2		10.4	
COP @5°F			
COP @47°F		3.9	
Cooling Temperature Range		°F	-20 - 122
Heating Temperature Range		°F	-22 - 86
Refrigerant Type		R32	
INDOOR UNIT		VIR09HP230V1R32AH	
Air flow (Min - Max)		CFM	159 - 353
Sound Pressure Level (Min - Max)		dB(A)	25 - 40
Dehumidification		pt/hr	1.69
External Dimensions (W x H x D)		in	32-1/2 x 11-9/16 x 7-3/4
Package Dimension (W x H x D)		in	34-7/16 x 14-3/8 x 10-9/16
Net Weight		lbs	20.9
Gross Weight		lbs	25.4
OUTDOOR UNIT		VIR09HP230V1R32AO	
Sound Pressure Level		dB(A)	52
External Dimensions (W x H x D)		in	31-37/64 x 21-27/32 x 13-25/32
Package Dimension (W x H x D)		in	34-21/64 x 24-13/32 x 15-43/64
Net Weight		lbs	70.6
Gross Weight		lbs	76.1
REFRIGERANT PIPING			
Refrigerant Charge		oz	30
Additional Charge		oz/ft	0.2
Line Set Size (Liquid - Gas) - Flared Connections		in	1/4 - 3/8
Pre-Charge Length		ft	25
Pipe Length (Min - Max)		ft	10 - 66
Max. Pipe Elevation		ft	40
ELECTRICAL			
Power Supply		208-230V / 1Ph / 60Hz (Powered by the Outdoor Unit)	
Voltage Range (Min - Max)		VAC	187 - 253
Rated Current - Cooling		A	4.73
Rated Current - Heating		A	6
MCA		A	10
MOCP		A	15
Suggested Breaker Size		A	10
Main Power Wire Size		AWG	Per Local Code
Interconnecting Wire Size		AWG	14 / 4

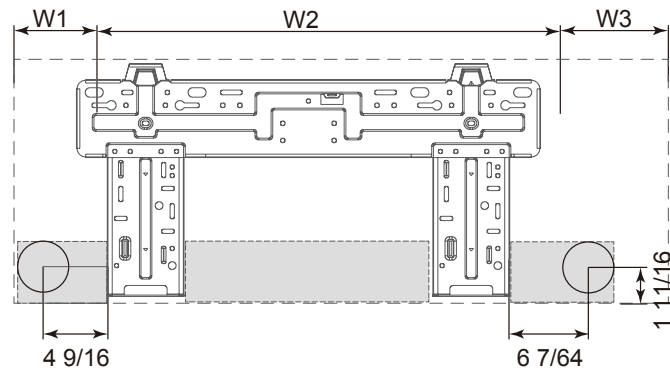
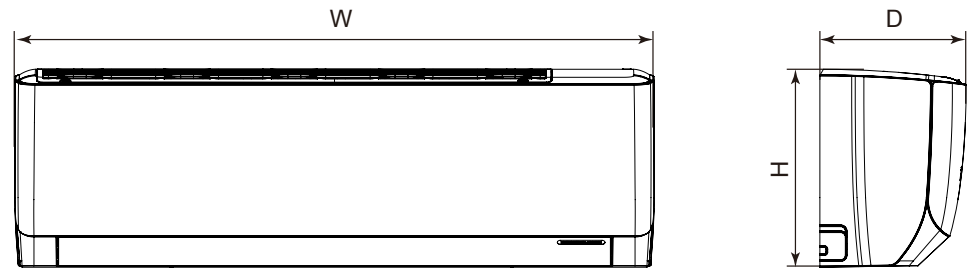
FEATURES & FUNCTIONS SUMMARY		VIR09HP230V1R32AH / VIR09HP230V1R32AO	
SYSTEM FEATURES			
Inverter Type		G10	
Ultra Low Frequency Torque Control		Yes	
Power Factor Correction		Yes	
Compressor Type - Inverter		High Efficiency Rotary	
Basepan With Electric Heater		Yes	
Indoor & Outdoor Fin Coating (Blue Fin)		Yes	
Intelligent Defrosting		Yes	
Intelligent Preheating		Yes	
Low Voltage Startup		Yes	
Memory/Power Failure Recovery		Yes	
Self Diagnosis		Yes	
Wired Controller Interface		Yes	
WiFi Included		Yes	
NEW! Easy Service Access		Yes	
Indoor Fan Type		Crossflow	
Multi Fan Speeds		7 Speeds	
Indoor Unit Display		Yes	
Auxiliary Electrical Heater		No	
Ventilation (Outdoor Air)		No	
REMOTE CONTROLLER FUNCTIONS			
NEW! Auto Clean		Yes	
Auto Mode		Yes	
Auto Fan		Yes	
Auto Swing (Horizontal Auto Swing)		Yes	
Auto Swing - 180° (Vertical Auto Swing)		Yes	
Clock		Yes	
Dry Mode		Yes	
Dry Anti-Mildew (X-Fan) Mode		Yes	
Energy Saving Mode		Yes	
Dirty Filter Alert		No	
Fan Speed Control (7 Speeds)		Yes	
I Feel Function		Yes	
Privacy Lock		Yes	
Quiet Mode		Yes	
Room Temperature Display		No	
Sleep Mode		Yes	
3 Sleep Mode Options		Yes	
Timer Mode		Yes	
Turbo Mode		Yes	
Display On/Off Control		Yes	
Freeze Guard Mode		Yes	
Power Failure Mode		Yes	
Humidity Control		Yes	

DIMENSIONS

INDOOR UNIT

Unit: inch

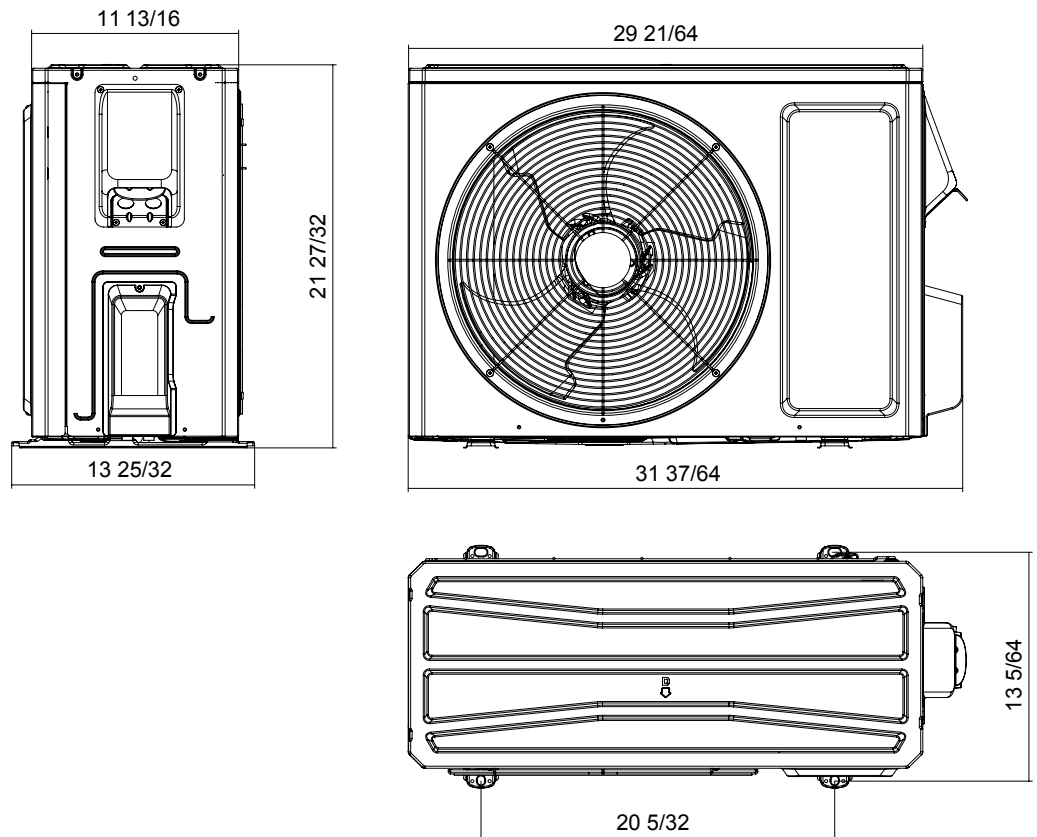
VIR09HP230V1R32AH	
DIMENSIONS	
W	32 31/64
H	11 17/32
D	7 23/32
W1	4 29/64
W2	21 11/32
W3	6 11/16



OUTDOOR UNIT

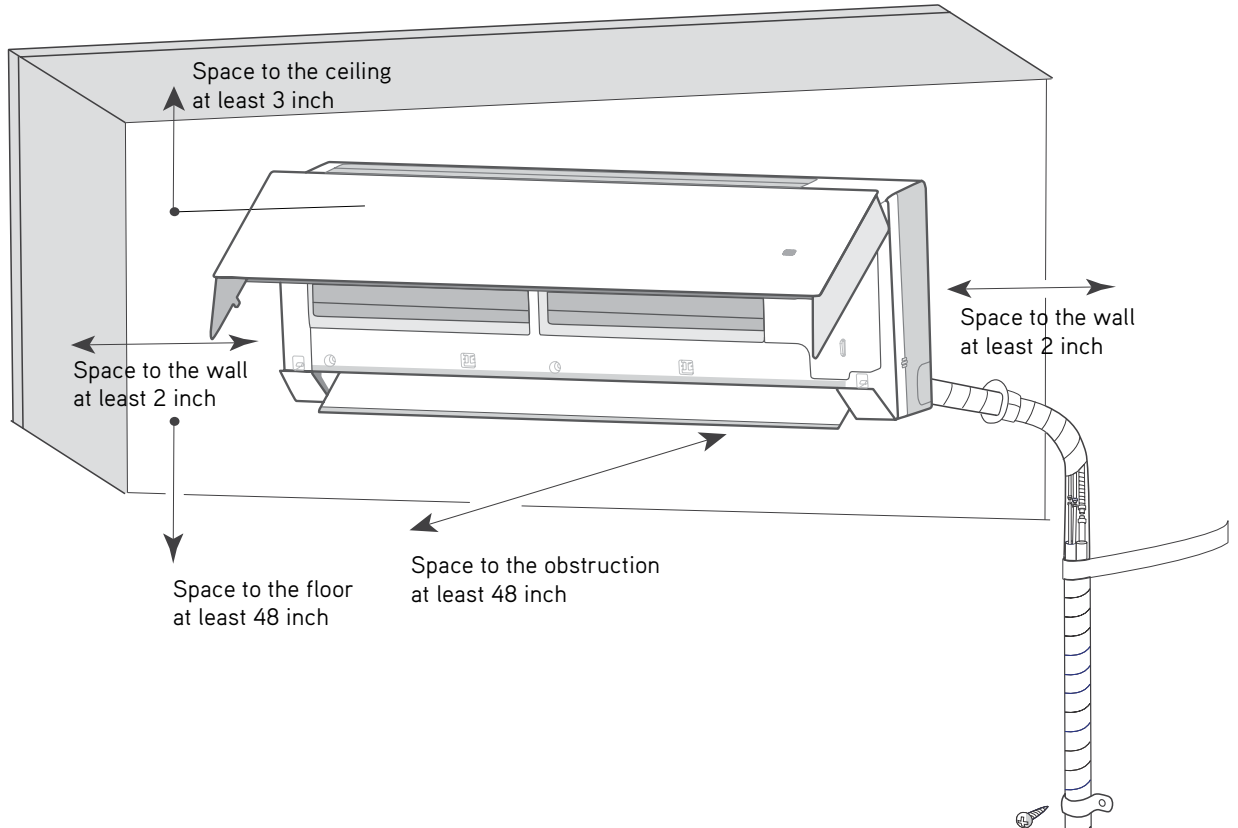
Unit: inch

VIR09HP230V1R32AO	
-------------------	--

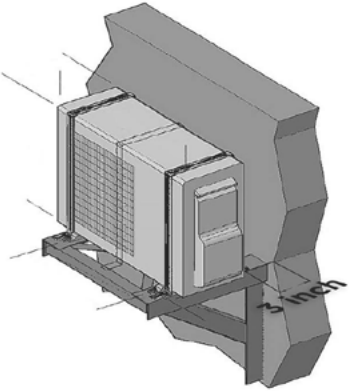


CLEARANCES

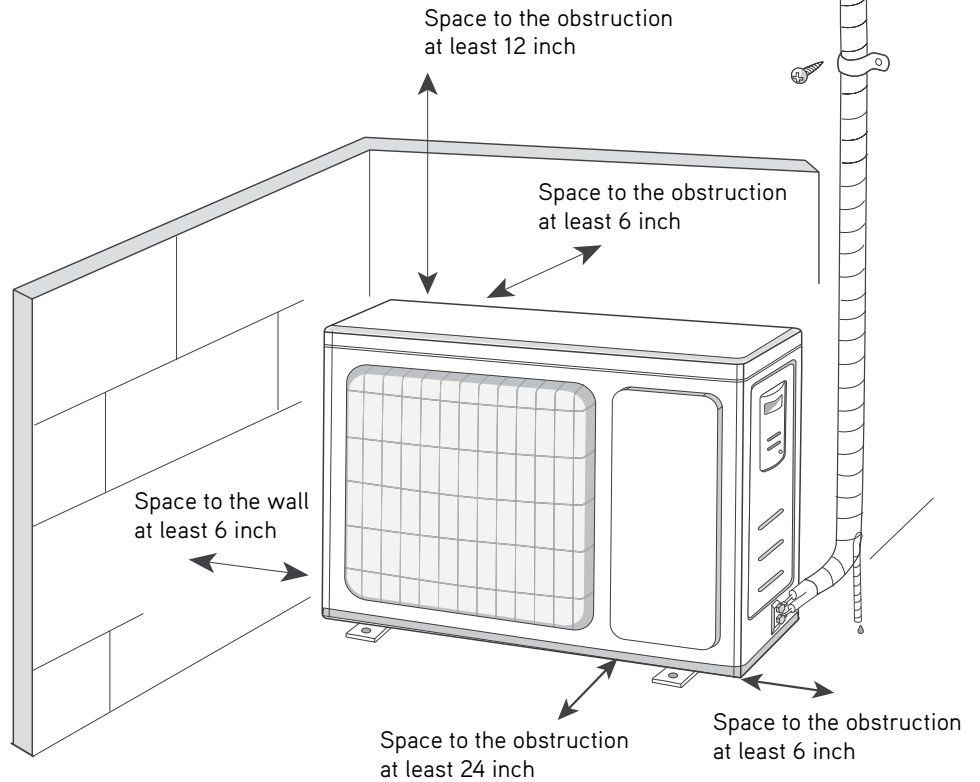
INDOOR UNIT Minimum clearance



OUTDOOR UNIT Minimum clearance



NOTE:
If bottom of the unit is free of airflow obstructions similar to the mounting bracket figure, the clearance to the wall on the back can be reduced to 3 inches.



Specifications are subject to change without notice. Manufacturer reserves the right to discontinue or modify specifications or designs without notice or without incurring obligations. All Rights reserved.